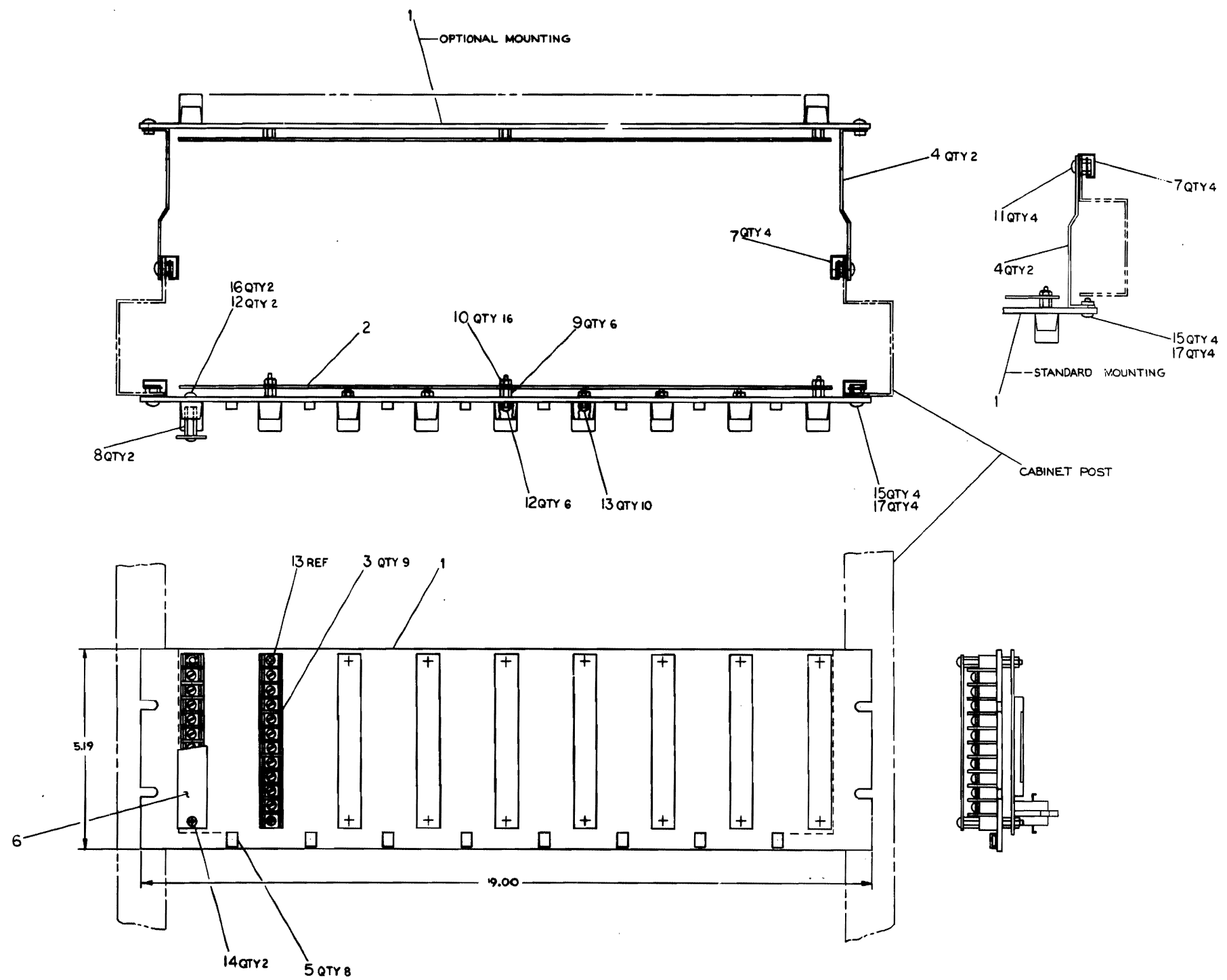


CUSTOMER PRINT SET		ELECTRICAL					CUSTOMER PRINT SET		MECHANICAL								
		MFG. SET	FUND NO.	DRAWING NO.	REV	NO OF SHT	DESCRIPTION	OPTION NO./FILE DATE			MFG. SET	FUND NO.	DRAWING NO.	REV	NO OF SHT	DESCRIPTION	OPTION NO./FILE DATE
X			1	E-UA-H322-Ø-Ø		1	DISTRIBUTION PANEL ASSY				1	E-UA-H322-Ø-Ø		1	DISTRIBUTION PANEL ASSY		
X				D-CS-5411062-0-1		1	H322 BOARD ASSY						D-MD-7411893-0-0		1	PANEL, DISTRIBUTION	
X				A-SP-H322-Ø-1	*		ENGINEERING SPECIFICATIONS						A-PS-1210376-4			TERMINAL BLOCK, 10 PIN	
X				A-AL-H322-Ø-2		1	H322 ACCESSORY LIST						C-MD-7411486-0-0		1	BRKT, PANEL SWITCH	
													B-MD-7411894-0-0		1	SHIELD	
													REF D-UA-H322-T-Ø		1	H322 TESTER	

CUSTOMER PRINT SET CODES	X = PRINT OF DOCUMENT INCLUDED IN PRINT SET C = INCLUDES ALL PRINTS INDICATED ON DOCUMENT S = CONFIDENTIAL AUTHORIZED SIGNATURE REQUIRED	TITLE	SHEET 2 OF 2	SIZE CODE	NUMBER	REV
		H322 DRAWING DIRECTORY		B DD	H322-Ø	A

1000000000

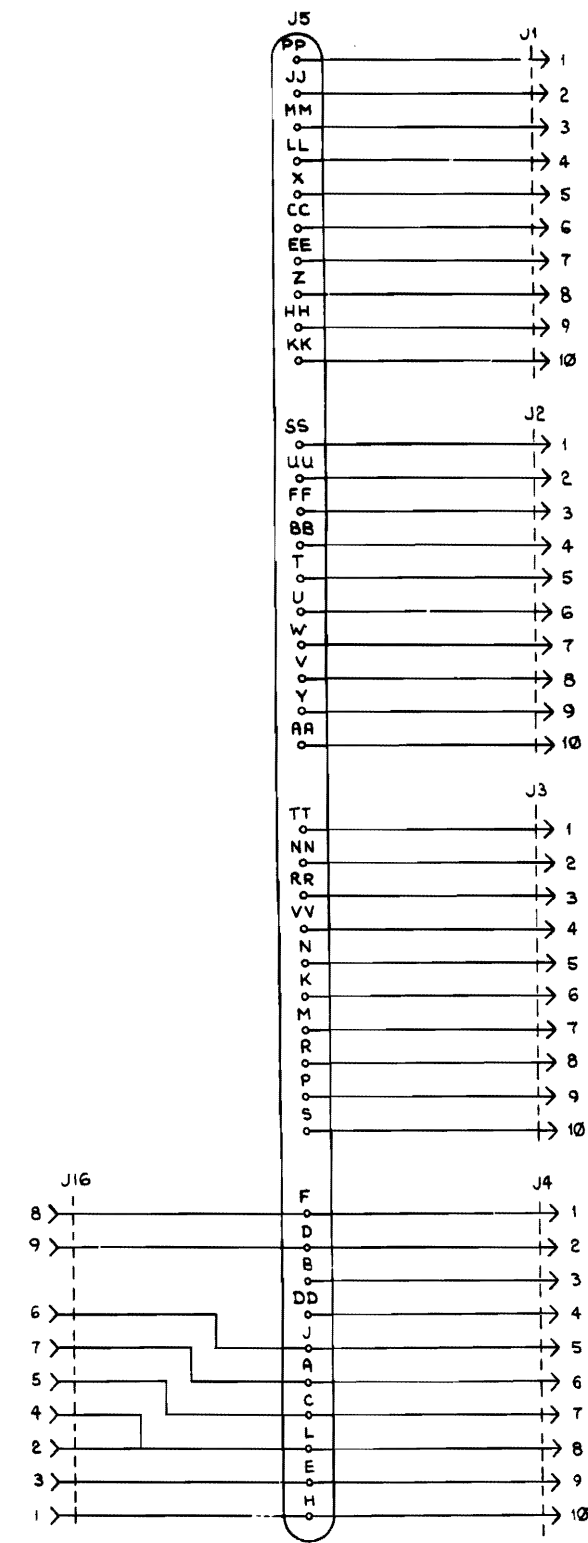
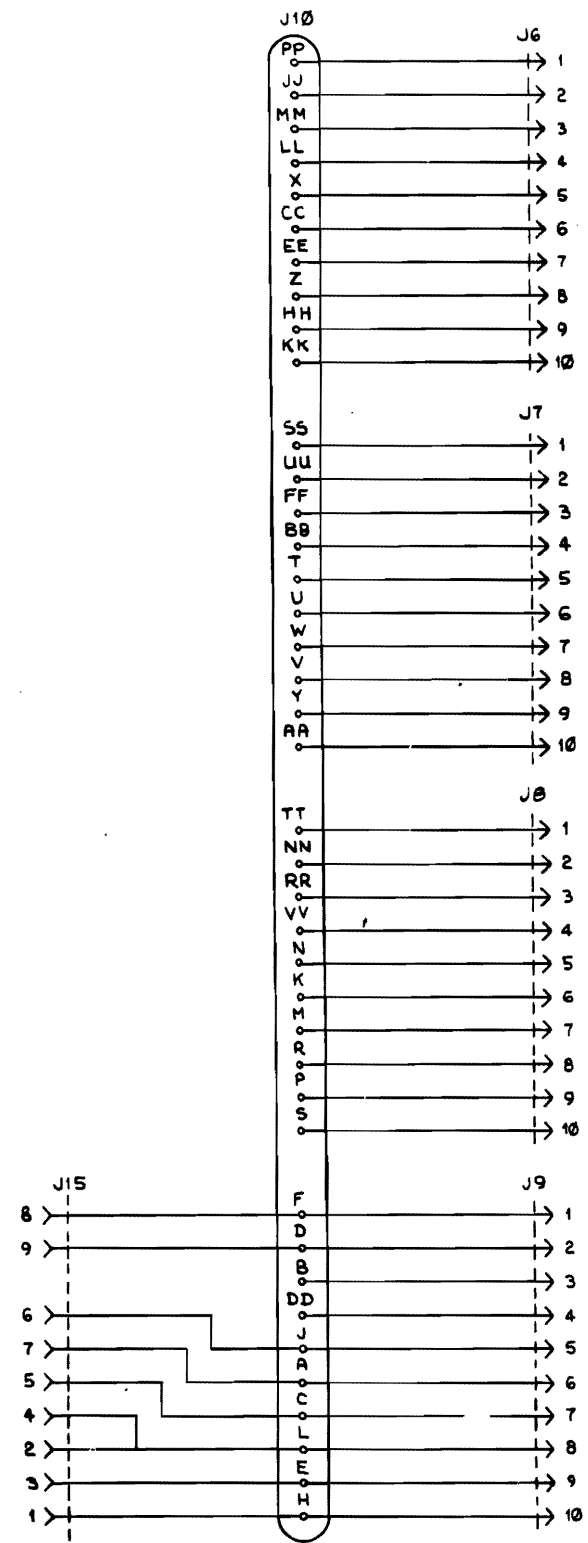
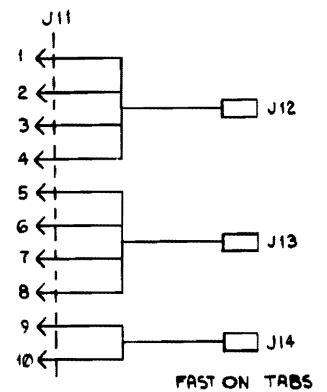
NOTES:
 1. HAND SOLDER 90 PINS TO PLATED THROUGH HOLE. APPLY HEAT TO PINS.



QTY.	DESCRIPTION	PART NO.	REV.
4	WASHER EXT. TOOTH LOCK #6	9007657	17
2	WASHER INT. TOOTH LOCK #6	9006633	16
4	SCREW, TRUSS, BLK #10-32x.50	9007653-3	15
2	SCREW, PHL PN #6-32x.25	9006020-1	14
10	SCREW, PHL PN #6-32x.50	9006024-1	13
8	SCREW, PHL PN #6-32x.81	9008037-1	12
4	SCREW, TRUSS #10-32x.50	9006073-3	11
16	NUT, KEPS #6-32	9008185	10
6	SPACER, .25 AF #6x.25W	9006841	9
2	SPACER, .18 AF #3/16x.75LG	9006869	8
4	NUT, SPEED #10-32	9007786	7
1	SHIELD	B-MD-7411894-0-0	6
8	MOUNT, CABLE TIE	9007867	5
2	BRKT., PANEL SWITCH	C-1A-7411486-0-0	4
9	TERM. BLOCK, 10 PIN	A-PS-1210876-4	3
1	BOARD ASS'Y	D-CS-5411062-0-1	2
1	PANEL, DISTRIBUTION	D-MD-7411873-0-0	1

PARTS LIST
 H322
 DISTRIBUTION PANEL ASS'Y
 E JA H322-0-0
 17

THIS DRAWING AND SPECIFICATIONS HEREIN ARE THE PROPERTY OF METAL EQUIPMENT CORPORATION AND SHALL NOT BE REPRODUCED OR COPIED IN WHOLE OR IN PART AS THE BASIS FOR THE MANUFACTURE OR SALE OF ITEMS WITHOUT WRITTEN PERMISSION. COPYRIGHT © 1974 METAL EQUIPMENT CORPORATION



REVISIONS		
CHK	CHANGE NO.	REV.

