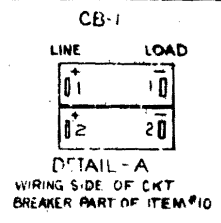
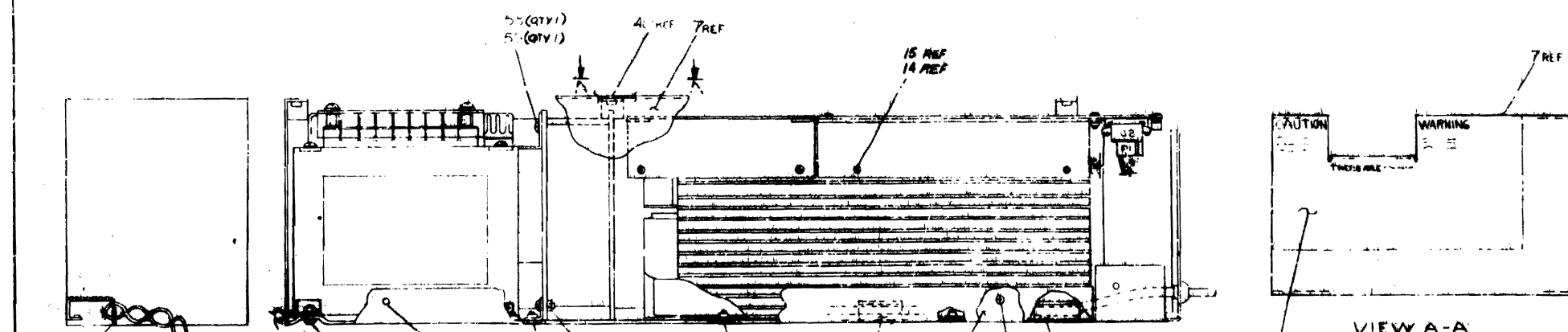
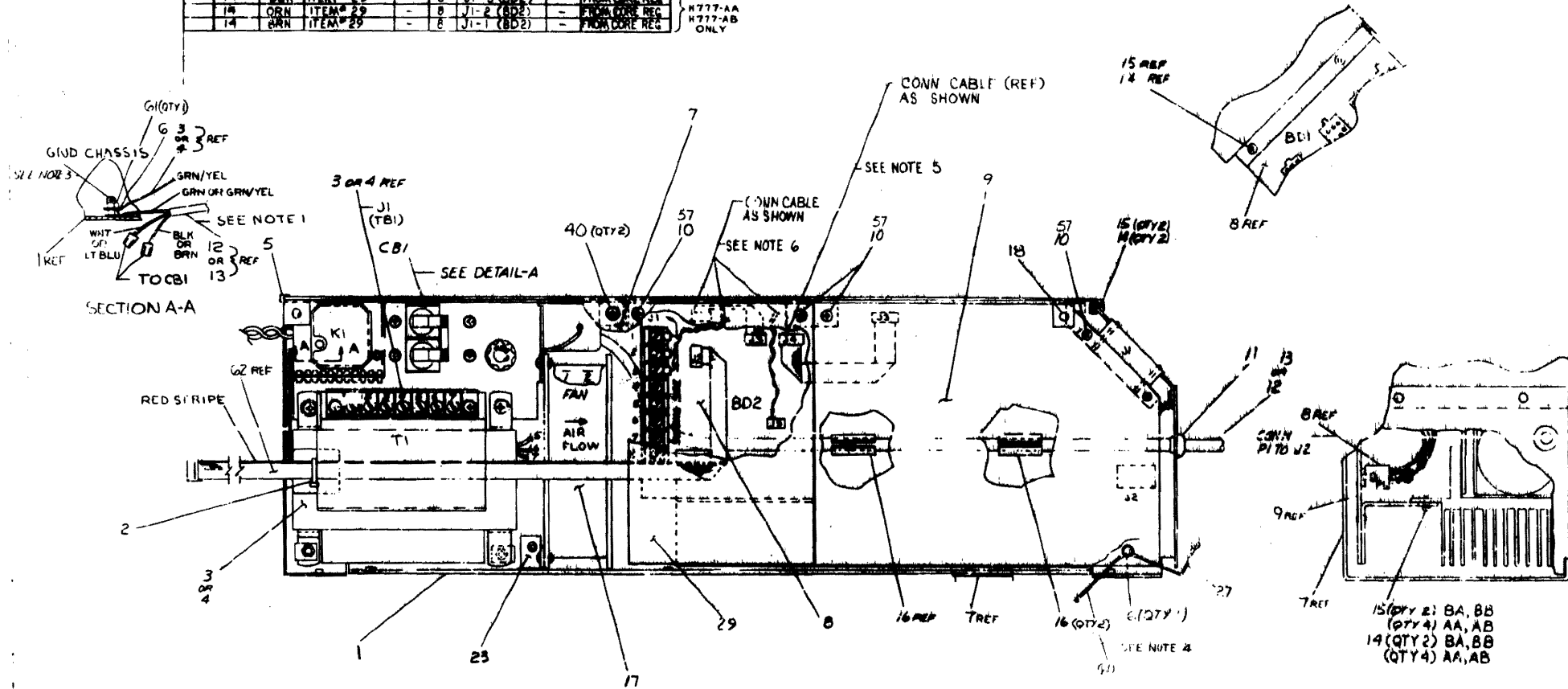


WIRE TABLE										LEGEND	
ITEM NO	DESCRIPTION	FROM	TO	REMARKS	PART NO	VARIATION					
12	14	BLK	---	---	H777-BA	PS. ASS ONLY USE					
0A	14	WHP	---	---	H777-BB	PS. ASS ONLY USE					
13	14	GRN	---	---	H777-AB	PS. CORE/MOS USE					
4	14	BLU	TI-5	---	H777-AB	PS. CORE/MOS 250V					
0A	7A	BLU/BLK	TI-6	---							
3	7A	BLU	TI-7	---							
0A	18	GRN	---	---							
4	7A	BLK	---	---							
3	18	WHT	---	---							
0A	7A	BLK	---	---							
30A	14	GRN/YEL	EMI-3 (REF)	---							
14	14	GRN/YEL	GND CHASSIS	---							
27	14	GRN/YEL	GND CHASSIS	---							
14	14	BLK	ITEM 29	---							
14	14	ORN	ITEM 29	---							
14	14	GRN	ITEM 29	---							



- NOTES:
1. MAKE SINK SERVICE LOOP AT HOOKUP END.
 2. APPLY SELF STICK INS SHEET (ITEM 24) TO UNDER SIDE OF POWER SUPPLY COVER IN AREA OF HEAT SINKS (CORE & MOS REGS).
 3. APPLY SELF STICK ITEM 26 BESIDE THIS GND STUD.
 4. ITEM 10 IS A GND CABLE TO GND THE FRONT PANEL CASTINGS FOR MOS AND CORE REGULATORS.
 5. CABLE PART OF ITEM #9.
 6. CABLE # WIRES ARE PART OF ITEM # 29



CAUTION:
UNIT ASSEMBLY FOR OPTIONS
AA, AB, BA, AND BB ONLY

SEE SHEET 2 FOR OPTIONS
CA, CB, DA, AND DB

1	2	3	4	5	6	7	8	9	10	11	12	13	14	15	16	17	18	19	20	21	22	23	24	25	26	27	28	29	30	31	32	33	34	35	36	37	38	39	40	41	42	43	44	45	46	47	48	49	50	51	52	53	54	55	56	57	58	59	60	61	62	63	64	65	66	67	68	69	70	71	72	73	74	75	76	77	78	79	80	81	82	83	84	85	86	87	88	89	90	91	92	93	94	95	96	97	98	99	100
---	---	---	---	---	---	---	---	---	----	----	----	----	----	----	----	----	----	----	----	----	----	----	----	----	----	----	----	----	----	----	----	----	----	----	----	----	----	----	----	----	----	----	----	----	----	----	----	----	----	----	----	----	----	----	----	----	----	----	----	----	----	----	----	----	----	----	----	----	----	----	----	----	----	----	----	----	----	----	----	----	----	----	----	----	----	----	----	----	----	----	----	----	----	----	----	----	----	----	-----

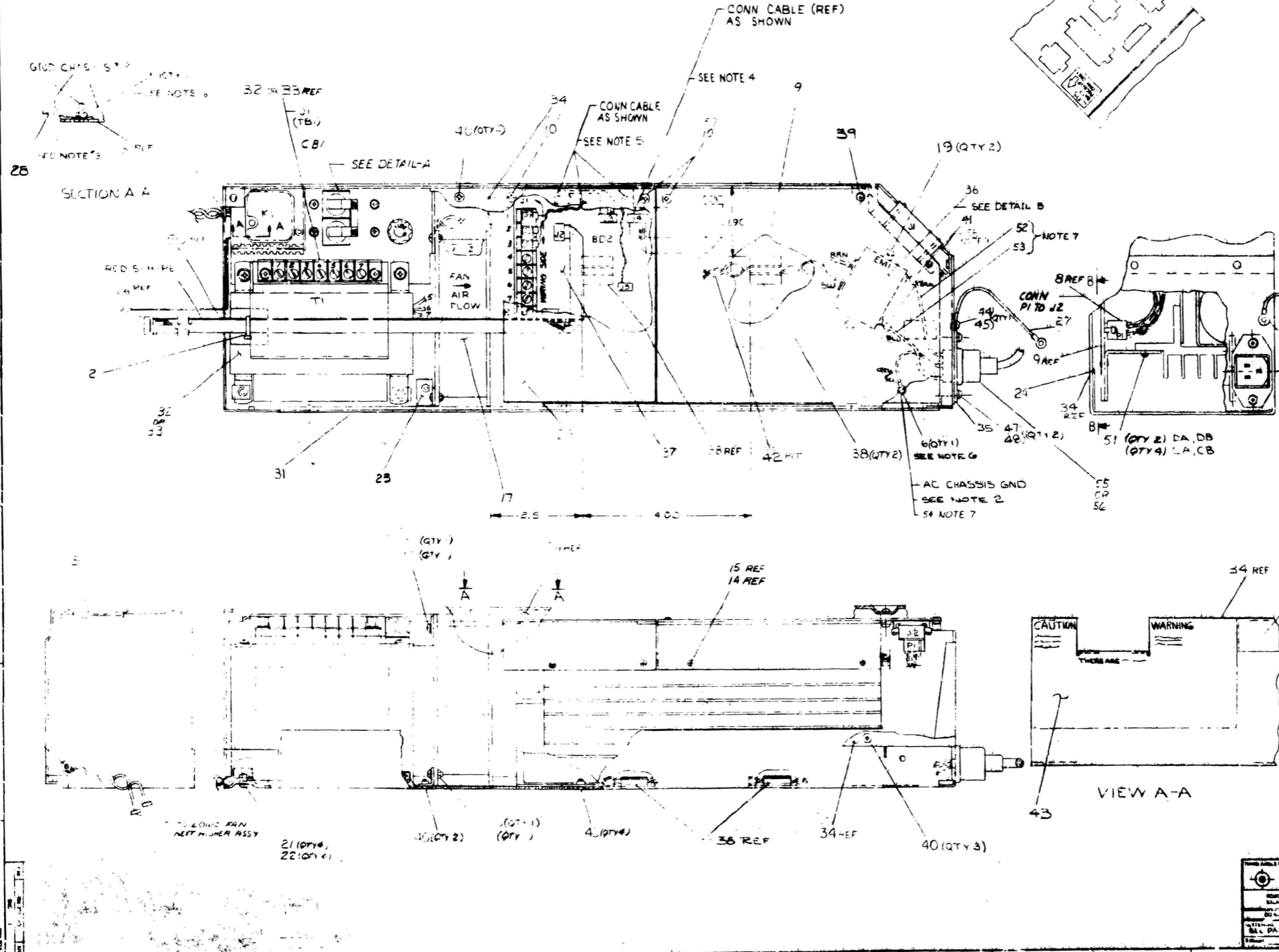
SEE NP-11777-0 FOR PARTS LIST

1	2	3	4	5	6	7	8	9	10	11	12	13	14	15	16	17	18	19	20	21	22	23	24	25	26	27	28	29	30	31	32	33	34	35	36	37	38	39	40	41	42	43	44	45	46	47	48	49	50	51	52	53	54	55	56	57	58	59	60	61	62	63	64	65	66	67	68	69	70	71	72	73	74	75	76	77	78	79	80	81	82	83	84	85	86	87	88	89	90	91	92	93	94	95	96	97	98	99	100
---	---	---	---	---	---	---	---	---	----	----	----	----	----	----	----	----	----	----	----	----	----	----	----	----	----	----	----	----	----	----	----	----	----	----	----	----	----	----	----	----	----	----	----	----	----	----	----	----	----	----	----	----	----	----	----	----	----	----	----	----	----	----	----	----	----	----	----	----	----	----	----	----	----	----	----	----	----	----	----	----	----	----	----	----	----	----	----	----	----	----	----	----	----	----	----	----	----	----	-----

POWER SUPPLY
ASSY (H777)

H777-0-0

WIRE TABLE										LEGEND	
ITEM NO	DESCRIPTION	COLOR	CONNECTION	TO	REMARKS	PART NO	VARIATION				
1	LINE	BLK	11-1	11-1	AC LINE	H777-DB	PS. CONTINUOUS 250V				
2	LOAD	BLK	11-2	11-2	AC LINE	H777-DB	PS. CONTINUOUS 250V				
3	LINE	BLK	11-3	11-3	AC LINE	H777-DB	PS. CONTINUOUS 250V				
4	LINE	BLK	11-4	11-4	AC LINE	H777-DB	PS. CONTINUOUS 250V				
5	LINE	BLK	11-5	11-5	AC LINE	H777-DB	PS. CONTINUOUS 250V				
6	LINE	BLK	11-6	11-6	AC LINE	H777-DB	PS. CONTINUOUS 250V				
7	LINE	BLK	11-7	11-7	AC LINE	H777-DB	PS. CONTINUOUS 250V				
8	LINE	BLK	11-8	11-8	AC LINE	H777-DB	PS. CONTINUOUS 250V				
9	LINE	BLK	11-9	11-9	AC LINE	H777-DB	PS. CONTINUOUS 250V				
10	LINE	BLK	11-10	11-10	AC LINE	H777-DB	PS. CONTINUOUS 250V				
11	LINE	BLK	11-11	11-11	AC LINE	H777-DB	PS. CONTINUOUS 250V				
12	LINE	BLK	11-12	11-12	AC LINE	H777-DB	PS. CONTINUOUS 250V				
13	LINE	BLK	11-13	11-13	AC LINE	H777-DB	PS. CONTINUOUS 250V				
14	LINE	BLK	11-14	11-14	AC LINE	H777-DB	PS. CONTINUOUS 250V				
15	LINE	BLK	11-15	11-15	AC LINE	H777-DB	PS. CONTINUOUS 250V				
16	LINE	BLK	11-16	11-16	AC LINE	H777-DB	PS. CONTINUOUS 250V				
17	LINE	BLK	11-17	11-17	AC LINE	H777-DB	PS. CONTINUOUS 250V				
18	LINE	BLK	11-18	11-18	AC LINE	H777-DB	PS. CONTINUOUS 250V				
19	LINE	BLK	11-19	11-19	AC LINE	H777-DB	PS. CONTINUOUS 250V				
20	LINE	BLK	11-20	11-20	AC LINE	H777-DB	PS. CONTINUOUS 250V				
21	LINE	BLK	11-21	11-21	AC LINE	H777-DB	PS. CONTINUOUS 250V				
22	LINE	BLK	11-22	11-22	AC LINE	H777-DB	PS. CONTINUOUS 250V				
23	LINE	BLK	11-23	11-23	AC LINE	H777-DB	PS. CONTINUOUS 250V				
24	LINE	BLK	11-24	11-24	AC LINE	H777-DB	PS. CONTINUOUS 250V				
25	LINE	BLK	11-25	11-25	AC LINE	H777-DB	PS. CONTINUOUS 250V				
26	LINE	BLK	11-26	11-26	AC LINE	H777-DB	PS. CONTINUOUS 250V				
27	LINE	BLK	11-27	11-27	AC LINE	H777-DB	PS. CONTINUOUS 250V				
28	LINE	BLK	11-28	11-28	AC LINE	H777-DB	PS. CONTINUOUS 250V				
29	LINE	BLK	11-29	11-29	AC LINE	H777-DB	PS. CONTINUOUS 250V				
30	LINE	BLK	11-30	11-30	AC LINE	H777-DB	PS. CONTINUOUS 250V				
31	LINE	BLK	11-31	11-31	AC LINE	H777-DB	PS. CONTINUOUS 250V				
32	LINE	BLK	11-32	11-32	AC LINE	H777-DB	PS. CONTINUOUS 250V				
33	LINE	BLK	11-33	11-33	AC LINE	H777-DB	PS. CONTINUOUS 250V				
34	LINE	BLK	11-34	11-34	AC LINE	H777-DB	PS. CONTINUOUS 250V				
35	LINE	BLK	11-35	11-35	AC LINE	H777-DB	PS. CONTINUOUS 250V				
36	LINE	BLK	11-36	11-36	AC LINE	H777-DB	PS. CONTINUOUS 250V				
37	LINE	BLK	11-37	11-37	AC LINE	H777-DB	PS. CONTINUOUS 250V				
38	LINE	BLK	11-38	11-38	AC LINE	H777-DB	PS. CONTINUOUS 250V				
39	LINE	BLK	11-39	11-39	AC LINE	H777-DB	PS. CONTINUOUS 250V				
40	LINE	BLK	11-40	11-40	AC LINE	H777-DB	PS. CONTINUOUS 250V				
41	LINE	BLK	11-41	11-41	AC LINE	H777-DB	PS. CONTINUOUS 250V				
42	LINE	BLK	11-42	11-42	AC LINE	H777-DB	PS. CONTINUOUS 250V				
43	LINE	BLK	11-43	11-43	AC LINE	H777-DB	PS. CONTINUOUS 250V				
44	LINE	BLK	11-44	11-44	AC LINE	H777-DB	PS. CONTINUOUS 250V				
45	LINE	BLK	11-45	11-45	AC LINE	H777-DB	PS. CONTINUOUS 250V				
46	LINE	BLK	11-46	11-46	AC LINE	H777-DB	PS. CONTINUOUS 250V				
47	LINE	BLK	11-47	11-47	AC LINE	H777-DB	PS. CONTINUOUS 250V				
48	LINE	BLK	11-48	11-48	AC LINE	H777-DB	PS. CONTINUOUS 250V				
49	LINE	BLK	11-49	11-49	AC LINE	H777-DB	PS. CONTINUOUS 250V				
50	LINE	BLK	11-50	11-50	AC LINE	H777-DB	PS. CONTINUOUS 250V				
51	LINE	BLK	11-51	11-51	AC LINE	H777-DB	PS. CONTINUOUS 250V				
52	LINE	BLK	11-52	11-52	AC LINE	H777-DB	PS. CONTINUOUS 250V				
53	LINE	BLK	11-53	11-53	AC LINE	H777-DB	PS. CONTINUOUS 250V				
54	LINE	BLK	11-54	11-54	AC LINE	H777-DB	PS. CONTINUOUS 250V				



- NOTES
- 1 APPLY SELF STICK WS SHEET (115H24) TO UNDER SIDE OF POWER SUPPLY COVER IN AREA OF HEAT SINKS (CORE & MOS REGS).
 - 2 APPLY SELF STICK ITEM 26 BESIDE THIS GND STUD.
 - 3 ITEM 28 IS A GND CABLE TO GND THE FRONT PANEL CASTINGS FOR MOS AND CORE REGULATORS.
 - 4 CABLE PART OF ITEM #9
 - 5 CABLE & WIRES ARE PART OF ITEM #29
 - 6 ITEM #6 (METRIC NUT M4) CAN BE USED AS A REPLACEMENT IN FIELD IF NECESSARY.
 - 7 INSTALL ITEM #41 OVER SOLDER ENDS PRIOR TO SOLDERING
 - 8 POSITION ITEM #44 PARALLEL WITH AND THE TOP EDGE IN THE SAME PLANE AS THE TOP EDGE OF ITEM #43.
 - 9 ADD SHRINK TUBING OVER EXPOSED PART OF FASTON CONNECTOR.

CAUTION
UNIT ASSEMBLY FOR OPTIONS A, CB, DA, AND DB ONLY.
SEE SHEET FOR OPTIONS AA, AB, BA, AND BS

ITEM NO	DESCRIPTION	QTY	UNIT	REMARKS
1	LINE	1		
2	LOAD	1		
3	LINE	1		
4	LINE	1		
5	LINE	1		
6	LINE	1		
7	LINE	1		
8	LINE	1		
9	LINE	1		
10	LINE	1		
11	LINE	1		
12	LINE	1		
13	LINE	1		
14	LINE	1		
15	LINE	1		
16	LINE	1		
17	LINE	1		
18	LINE	1		
19	LINE	1		
20	LINE	1		
21	LINE	1		
22	LINE	1		
23	LINE	1		
24	LINE	1		
25	LINE	1		
26	LINE	1		
27	LINE	1		
28	LINE	1		
29	LINE	1		
30	LINE	1		
31	LINE	1		
32	LINE	1		
33	LINE	1		
34	LINE	1		
35	LINE	1		
36	LINE	1		
37	LINE	1		
38	LINE	1		
39	LINE	1		
40	LINE	1		
41	LINE	1		
42	LINE	1		
43	LINE	1		
44	LINE	1		
45	LINE	1		
46	LINE	1		
47	LINE	1		
48	LINE	1		
49	LINE	1		
50	LINE	1		
51	LINE	1		
52	LINE	1		
53	LINE	1		
54	LINE	1		

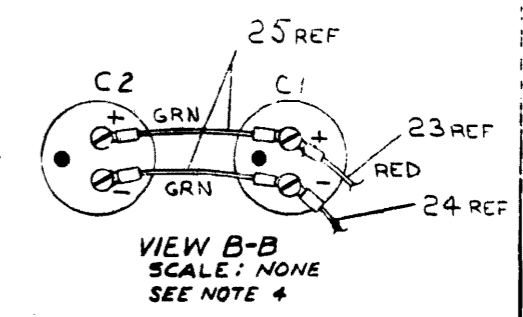
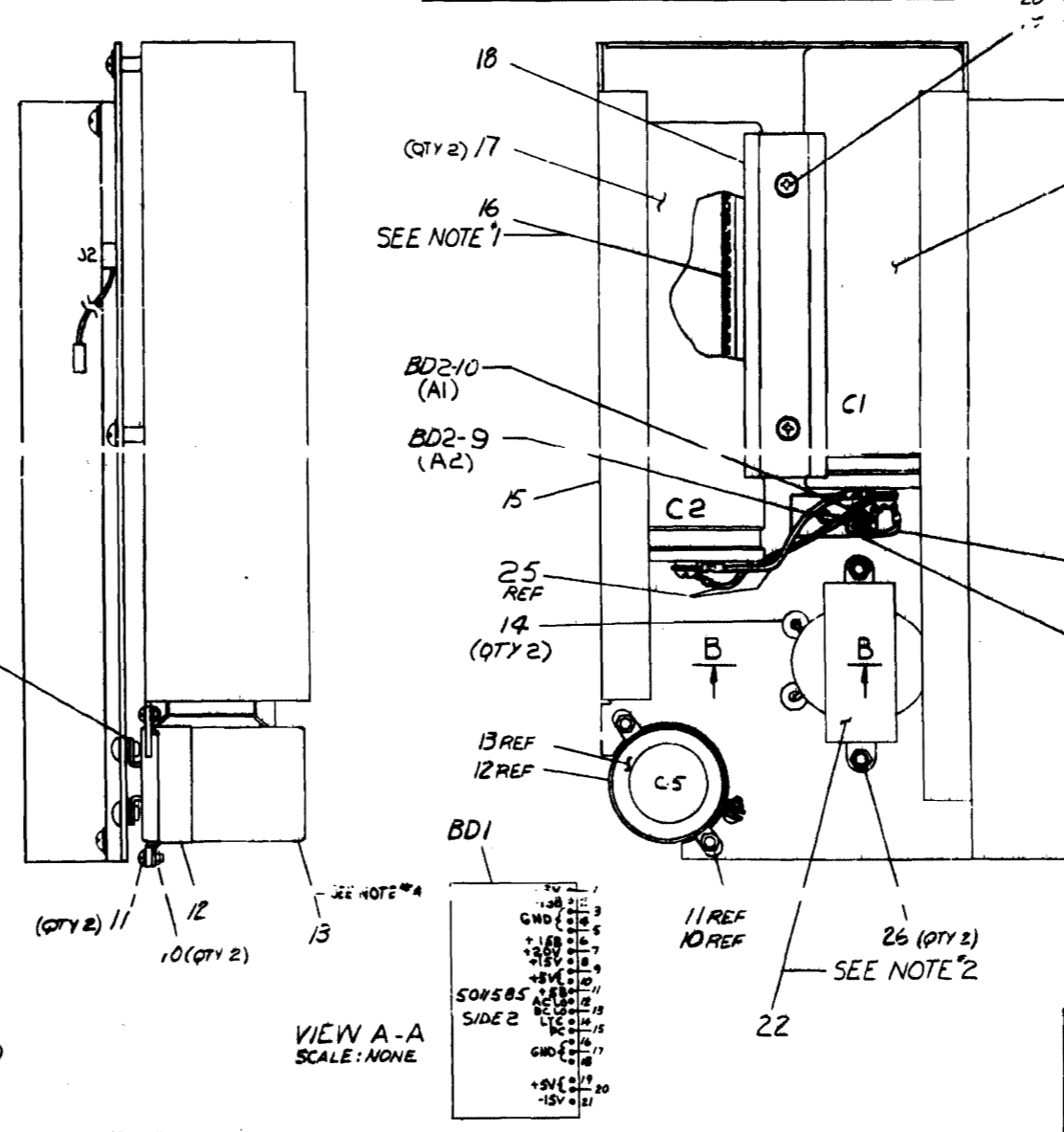
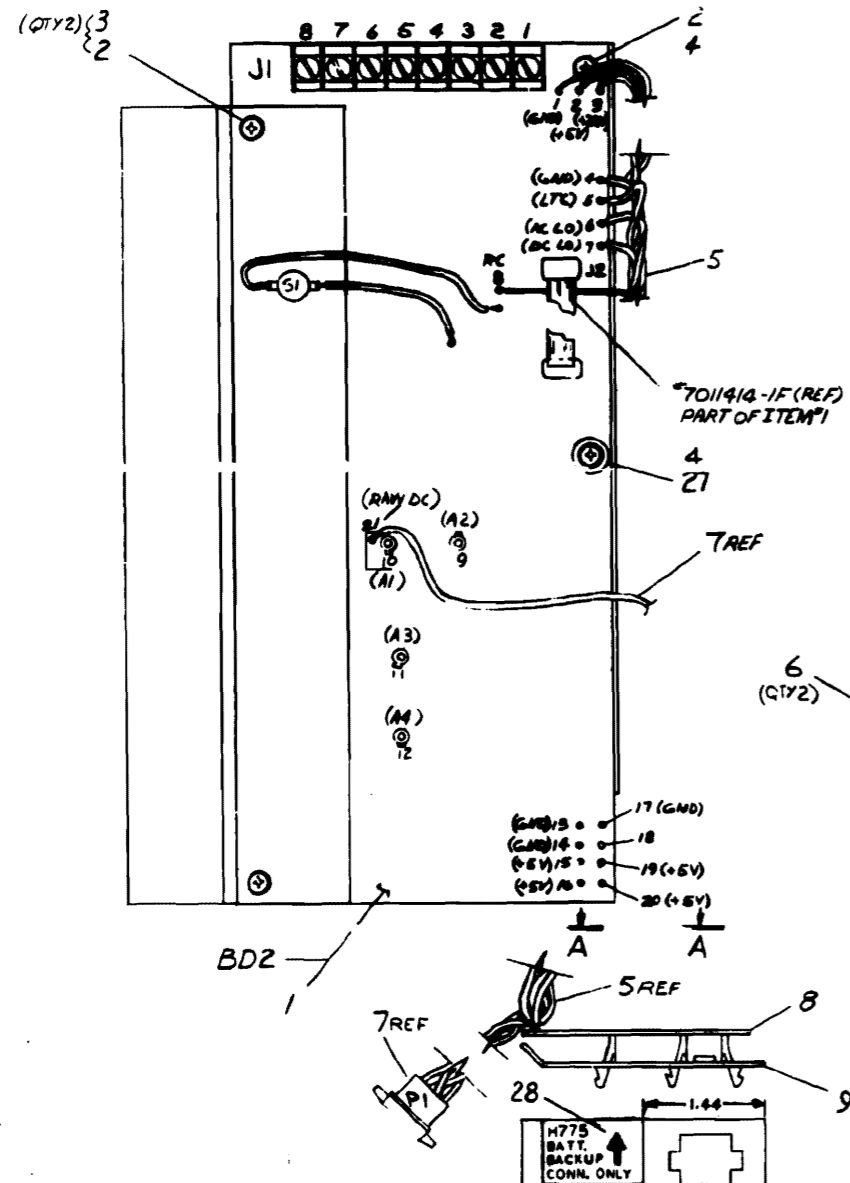
POWER SUPPLY ASSY (H777)

THIS DRAWING AND SPECIFICATIONS HEREIN ARE THE PROPERTY OF DIGITAL EQUIPMENT CORPORATION AND SHALL NOT BE REPRODUCED OR COPIED OR USED IN WHOLE OR IN PART AS THE BASIS FOR THE MANUFACTURE OR SALE OF ITEMS WITHOUT WRITTEN PERMISSION.
 COPYRIGHT © 1975, DIGITAL EQUIPMENT CORPORATION

WIRE CHART

ITEM NO.	DESCRIPTION				FROM		TO		ITEM NO.	DESCRIPTION				FROM		TO						
	AWG	COLOR	POINT NO	CONN	POINT NO	CONN	POINT NO	CONN		AWG	COLOR	POINT NO	CONN	POINT NO	CONN	POINT NO	CONN					
5	20	WHT	1	BD2-8	18	BD1-18	5	14	BLK	28	BD2-18	11	BD1-4	7	18	GRY	4	BD1-8	*9	-		
	14	BRN	2	2	9	1			RED	29	15	14	9				18	WHT	5	BD1-6	*10	-
	14	BLK	3	1	12	5			RED	26	19	15	10				14	RED	6	BD2-21	*13	-
	14	ORN	4	3	13	7			BLK	25	14	21	17				18	GRN	7	BD1-2	12	-
	20	BRN	5	5	19	14			RED	24	16	22	19		25	14	GRN	-	C1(+)	-	C2(+)	
	20	BLK	6	4	20	16			RED	27	BD2-20	23	BD1-20		25	14	GRN	-	C1(-)	-	C2(-)	
7	20	VIO	7	6	16	12		BLU	1	BD1-21	*11	-	23	14	RED	-	BD2-10	-	C1(+)			
	20	VIO	8	7	17	13		BLK	2	BD1-18	*8	-	22	14	BLK	-	BD2-9	-	C1(-)			
	14	BLK	30	BD2-17	10	BD1-3		RED	3	BD1-11	*14	-	22	-	BARE	-	-	-	BD2-11			
	22	-	-	-	-	-		-	-	-	-	-	22	-	BARE	-	-	-	BD2-12			

- NOTES:
- USE ITEM #16 (SPRM. NET) TO COVER RAW METAL EDGES UNDER CAPACITORS.
 - LEADS FROM ITEM'S #22, 23 & 24 ARE TO BE CUT FLUSH WITH TOP OF CLAMPS ON ITEM #1. A1, A2, A3 & A4
 - * ASTERISK INDICATES THAT THESE CONN. ALREADY HAVE BEEN MADE ON PLUG PI ON HARNESS D-2A-7011560-0-0 THEY ARE SHOWN FOR REF ONLY
 - ITEMS #17 & #13 ARE TO HAVE THEIR ELECTRICAL CONNECTIONS TORQUED TO 12 IN-LBS (-0, +10) IN-LBS



QTY	DESCRIPTION	DWG. PART NO.	ITEM NO.
1	DECAL	A-JC-1416 911-0-0	68
1	WASHER NYLON #6	9006707	27
2	NUT REFS #8-32	9006663	26
2	JUMPER (BRN)	B-2A-7011800-0-0	85
1	JUMPER (BLK)	B-2A-7011802-0-0	24
1	JUMPER (RED)	B-2A-7011801-0-0	25
1	CHOKER	14/2584	22
2	SPACER HEX #8-32 X 1/8" L	9008258	21
2	WASHER INT TOOTH LOCK #8	9006684	20
2	SCR PHIL HD PAN #6-32 X .50 L	9006037-1	19
1	CLAMP CAPACITOR	CMD-744021-0-0	18
1	CAPACITOR 22 KUF 50V	10/6702	17
NR	GROMMET CATERPILLAR	9007035	16
1	BRACKET CAPACITOR	D-2A-743743-0-0	15
2	GROMMET RUBBER	9007017	14
1	CAPACITOR 39004H (60V65)	10/2790	13
1	CLAMP CAPACITOR	9009052	12
2	SCR PHIL HD PAN #6-32 X .25 L	9006020-1	11
2	NUT REFS #6-32	9008185	10
1	BRACKET CONN	D-2A-743752-0-0	9
1	BOARD PWR DISTR. H777	D-CS-541586-0-1	8
1	HARNESS BD NOS RES PWR DST	D-2A-7011560-0-0	7
2	SCR PHIL HD PAN #6-32 X .50 L	9006640	6
1	HARNESS H777 +5V REG	D-2A-7011415-0-0	5
2	SCR PHIL HD PAN #6-32 X .31 L	9006021-1	4
2	SCR PHIL HD PAN #6-32 X .50 L	9006024-1	3
2	WASHER INT TOOTH LOCK #6	9006633	2
1	H777 +5V REGULATOR	D-CS-541597-0-1	1

REV.	DATE	BY	CHKD	DESCRIPTION
1	11-25-75	R. BARRY		INITIAL DESIGN
2	12-10-75	B. COURTEMANCE		REVISED FOR MANUFACTURE
3	1-25-76	B. COURTEMANCE		REVISED FOR MANUFACTURE
4	2-25-76	B. COURTEMANCE		REVISED FOR MANUFACTURE
5	3-25-76	B. COURTEMANCE		REVISED FOR MANUFACTURE
6	4-25-76	B. COURTEMANCE		REVISED FOR MANUFACTURE
7	5-25-76	B. COURTEMANCE		REVISED FOR MANUFACTURE
8	6-25-76	B. COURTEMANCE		REVISED FOR MANUFACTURE
9	7-25-76	B. COURTEMANCE		REVISED FOR MANUFACTURE
10	8-25-76	B. COURTEMANCE		REVISED FOR MANUFACTURE
11	9-25-76	B. COURTEMANCE		REVISED FOR MANUFACTURE
12	10-25-76	B. COURTEMANCE		REVISED FOR MANUFACTURE
13	11-25-76	B. COURTEMANCE		REVISED FOR MANUFACTURE
14	12-25-76	B. COURTEMANCE		REVISED FOR MANUFACTURE
15	1-25-77	B. COURTEMANCE		REVISED FOR MANUFACTURE
16	2-25-77	B. COURTEMANCE		REVISED FOR MANUFACTURE
17	3-25-77	B. COURTEMANCE		REVISED FOR MANUFACTURE
18	4-25-77	B. COURTEMANCE		REVISED FOR MANUFACTURE
19	5-25-77	B. COURTEMANCE		REVISED FOR MANUFACTURE
20	6-25-77	B. COURTEMANCE		REVISED FOR MANUFACTURE
21	7-25-77	B. COURTEMANCE		REVISED FOR MANUFACTURE
22	8-25-77	B. COURTEMANCE		REVISED FOR MANUFACTURE
23	9-25-77	B. COURTEMANCE		REVISED FOR MANUFACTURE
24	10-25-77	B. COURTEMANCE		REVISED FOR MANUFACTURE
25	11-25-77	B. COURTEMANCE		REVISED FOR MANUFACTURE
26	12-25-77	B. COURTEMANCE		REVISED FOR MANUFACTURE
27	1-25-78	B. COURTEMANCE		REVISED FOR MANUFACTURE
28	2-25-78	B. COURTEMANCE		REVISED FOR MANUFACTURE
29	3-25-78	B. COURTEMANCE		REVISED FOR MANUFACTURE
30	4-25-78	B. COURTEMANCE		REVISED FOR MANUFACTURE
31	5-25-78	B. COURTEMANCE		REVISED FOR MANUFACTURE
32	6-25-78	B. COURTEMANCE		REVISED FOR MANUFACTURE
33	7-25-78	B. COURTEMANCE		REVISED FOR MANUFACTURE
34	8-25-78	B. COURTEMANCE		REVISED FOR MANUFACTURE
35	9-25-78	B. COURTEMANCE		REVISED FOR MANUFACTURE
36	10-25-78	B. COURTEMANCE		REVISED FOR MANUFACTURE
37	11-25-78	B. COURTEMANCE		REVISED FOR MANUFACTURE
38	12-25-78	B. COURTEMANCE		REVISED FOR MANUFACTURE
39	1-25-79	B. COURTEMANCE		REVISED FOR MANUFACTURE
40	2-25-79	B. COURTEMANCE		REVISED FOR MANUFACTURE
41	3-25-79	B. COURTEMANCE		REVISED FOR MANUFACTURE
42	4-25-79	B. COURTEMANCE		REVISED FOR MANUFACTURE
43	5-25-79	B. COURTEMANCE		REVISED FOR MANUFACTURE
44	6-25-79	B. COURTEMANCE		REVISED FOR MANUFACTURE
45	7-25-79	B. COURTEMANCE		REVISED FOR MANUFACTURE
46	8-25-79	B. COURTEMANCE		REVISED FOR MANUFACTURE
47	9-25-79	B. COURTEMANCE		REVISED FOR MANUFACTURE
48	10-25-79	B. COURTEMANCE		REVISED FOR MANUFACTURE
49	11-25-79	B. COURTEMANCE		REVISED FOR MANUFACTURE
50	12-25-79	B. COURTEMANCE		REVISED FOR MANUFACTURE

THIRD ANGLE PROJECTION

REMOVE BURRS AND BREAK SHARP CORNERS

DO NOT SCALE DIMS

MATERIAL: D-2A-H777-0-0

SCALE: SEE DET.

QUANTITY & VARIATION: 1

DESCRIPTION: +5V REG ASSY

DWG. PART NO.: D-2A-7011415-0-0

ITEM NO.: H777

CLASS OF ACCURACY: MEDIUM

SURFACE QUALITY: IN

FINISH: SEE DET.

SIZE: D

CODE: AD

NUMBER: 7011073-0-0

REV.: C

THIS DRAWING AND SPECIFICATIONS, HEREIN, ARE THE PROPERTY OF DIGITAL EQUIPMENT CORPORATION AND SHALL NOT BE REPRODUCED OR COPIED OR USED IN WHOLE OR IN PART AS THE BASIS FOR THE MANUFACTURE OR SALE OF ITEMS WITHOUT WRITTEN PERMISSION. COPYRIGHT © 1975 DIGITAL EQUIPMENT CORPORATION

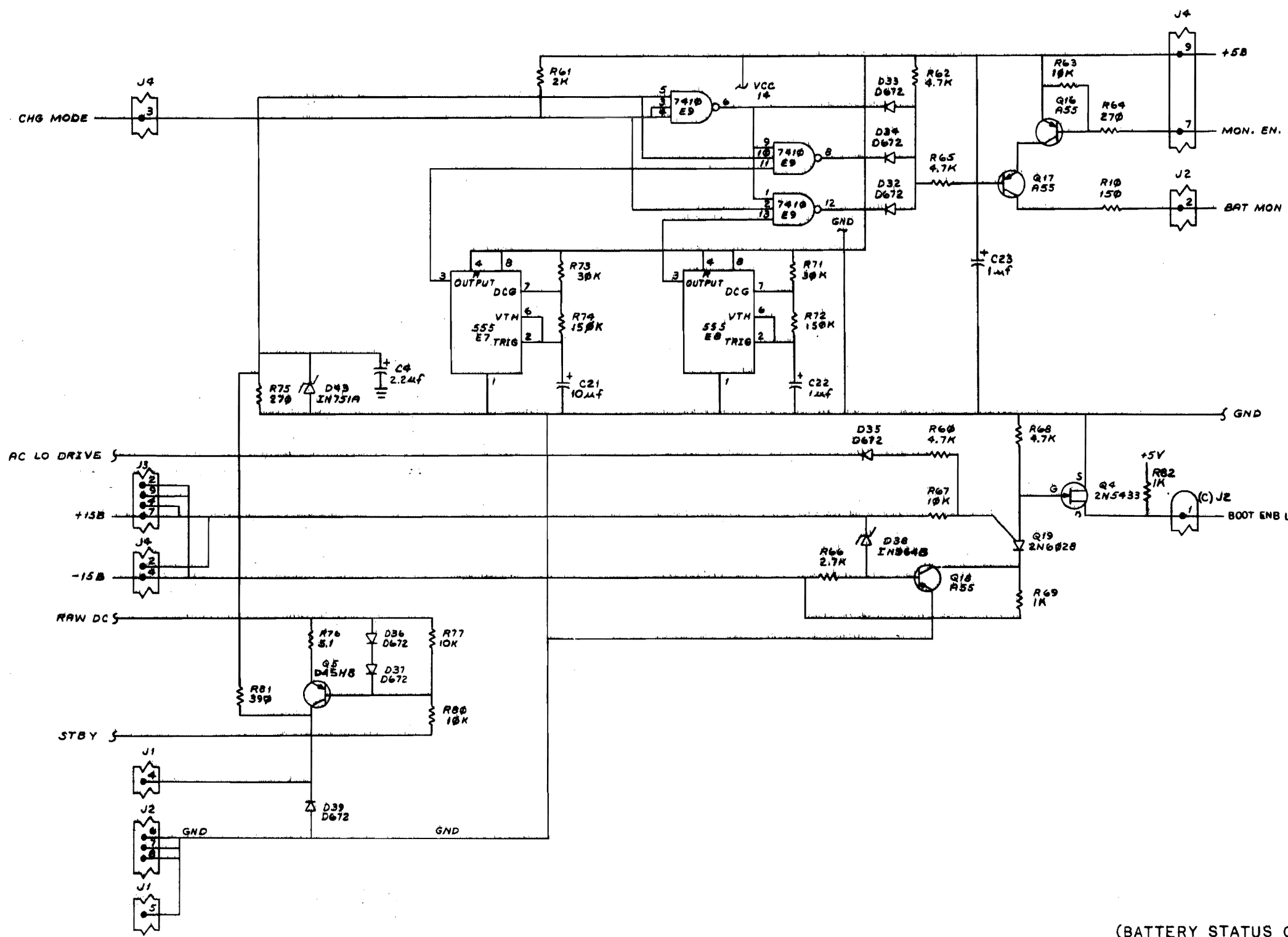
1	R76	RESISTOR, 5%, 1/4W, 5%	1309422	54
1	R79	RESISTOR, 5%, 1/4W, 5%	1302232	55
1	R42	RESISTOR, 3.4K, 1/4W, 1%	1308156	56
2	R1, R7	RESISTOR, .39, 2W, 3%	1310068	57
2	R12, R13	RESISTOR, .02, 5W, 3%	1310076	58
2	R5, R6	RESISTOR, .04, 5W	1311362	59
1	R3	RESISTOR, 3, 3W, 5%	1312682	60
2	Q1, Q2	TRANSISTOR, 2N5302	1510186	61
3	Q7, Q8, Q10	TRANSISTOR, AD5	1510705	62
5	Q9, Q11, Q16, Q17, Q18	TRANSISTOR, A55	1510706	63
2	Q3, Q5	TRANSISTOR, D45H8	1510708	64
4	Q4, Q13 THRU Q15	TRANSISTOR, 2N5433	1511888	65
1	Q19	TRANSISTOR, 2N6028	1518877	66
1	Q6	TRANSISTOR, D44C11	1512790	67
1	Q8	TRANSISTOR, C32AX135	1510928	68
1	T1	TRANSFORMER PULSE	1612592	69
1	E8	I.C. DEC 7410	1805576	70
5	E1, E2, E4, E5, E8	I.C. DEC 301A	1810282	71
3	E3, E7, E9	I.C. DEC LM555	1811844	72
1	F1	FUSE 15A, 32V	8007226	73
1	S1	THERMOSTAT (ELMWOOD)	1212787	74
1		HEAT SINK	7414238	75
2		EYELET	9006732	76
3		WIRE, #22 AWG STRANDED (WHITE)	9107350-99	77
3		WIRE, #22 AWG STRANDED (WHITE)	9107350-88	78
2		FUSECLIP	8007203	79
2		SCREW, #4-40 x 7/16 IN PHILLIPS HD	8008012-1	80
10		NUT, KEP #4-40	8008557	81
A/R		COMPOUND, THERMAL	8008268	82
4		INSULATOR, T03	8008419	83
2		INSULATOR, THERMA-FILM	8009587	84
3	A1, A2, A4	STANDOFF	7414048-8	85
REF		ASSY, HARNESS	7011415-0-0	86
1	W1	WIRE #18 AWG	9009185	87
1	C10	CAPACITOR 8200 PF 100V MYLAR	1000061	88
1	C8	CAPACITOR, 33 PF, 100V, 5% D.M.	1000009	89
				90
4		SET SCREW #6-32 x 1/8 LG.	9006290-10	91
2		SCREW NYLON #4-40 x 1/2 LG.	9006402-4	92
2		NUT NYLON #4-40	9007992	93
1	A3	STANDOFF	7414048-1	94
1	J2	CONTROL CABLE (CONSOLE)	7011414-1F	95
8		WASHER, FLAT	9008172	96
				97
1		SPACER, INSULATOR	9007615	98
1	R30	RES 220, 1/4W, 5%	1300271	99
1	R20	RES 3.3K, 1/4W, 5%	1300439	100
8		SCREW, PHL. PAN HD 4-40 x 5/8	9006014-01	101
A/R		JUMPER	9105740-55	102
A/R		WIRE	9107267-09	103
1	Q12	TRANSISTOR VCR2N	151635	104
1	R11	RES 383 Ω 1/4W 1%	1305125	105
1	R14	RES 8.0K 1/4W 1%	1305129	106

REVISIONS		
CHK	CHANGE NO	REV

TITLE	H777+5V REGULATOR	SIZE CODE	DCS 5411597-0-1	NUMBER		REV.	
SCALE		SHEET	2 OF 4	DIST.			

DCS 5411597-0-1

THIS DRAWING AND SPECIFICATIONS HEREON ARE THE PROPERTY OF DIGITAL EQUIPMENT CORPORATION AND SHALL NOT BE REPRODUCED OR COPIED OR USED IN WHOLE OR IN PART AS THE BASIS FOR THE MANUFACTURE OR SALE OF ITEMS WITHOUT WRITTEN PERMISSION. COPYRIGHT © 1975 DIGITAL EQUIPMENT CORPORATION



(BATTERY STATUS CRKT'S)

REVISIONS		
CHK	CHANGE NO.	REV.

TITLE	H777 +5V REGULATOR	SIZE/CODE	DCS	NUMBER	5411597-0-1	REV.	L
SCALE		SHEET	4 OF 4	DIST.			

DCS 5411597-0-1 L

THE DRAWING AND SPECIFICATIONS HEREIN ARE THE PROPERTY OF THE UNITED STATES GOVERNMENT AND SHALL NOT BE REPRODUCED OR TRANSMITTED IN ANY FORM OR BY ANY MEANS, ELECTRONIC OR MECHANICAL, INCLUDING PHOTOCOPYING, RECORDING, OR BY ANY INFORMATION STORAGE AND RETRIEVAL SYSTEM, WITHOUT PERMISSION IN WRITING FROM THE UNITED STATES GOVERNMENT.

LEGEND

PART NO	VARIATION	ITEM NO	DESCR
701075-0	120 V		
701075-1	230V		

WIRE CHART

ITEM NO	AVG	COR	CONN	WITH	CONN	WITH	REMARKS	ITEM NO	AVG	COR	CONN	WITH	CONN	WITH	REMARKS
22	18	WHT	K1-4	SQ31	*T82-4 S	SOLD	5 1/2'L	14	18	BLK	T1		T82-1H		
23	18	BLK	K1-6		*T82-15	SOLD	6'L	14	18	BRN			T82-3H		43
24	18	BRN	K1-7		T82-5H	25,43	6 1/2'L	14	18	RED			T82-2H		
26	18	BLU	K1-9		T82-6H	25,43	7 1/2'L	14	18	WHT	T1		T82-4H		
27	18	GRY	K1-2			25		23	18	BLK	G3	SOLD	F1-2	SOLD	4'L
27	18	BLK	K1-8	SQ31		25		34	14	BRN	EMI-3	SQ31		42	8'L
26	18	BLU	G2	SOLD	*T82-6S	SOLD	6'L	35	18	BLK	T82-1H		T82-2H		120V
23	18	BLK	F1-1	SOLD	*T82-15	SOLD	6'L	36	18	WHT	T82-3H		T82-4H		120V
15	18	BLU	EMI-2 LOAD		*T82-4S	SOLD	6'L	35	18	BLK	T82-2H		T82-3H		250V
15	18	BRN	EMI-1 LOAD		*T82-6S	SOLD	6'L	13	22	BARE	R1-A		G3	SOLD	33
22	18	WHT	EMI-2	SQ31	CBI-2 LOAD	28,41	5'L	13	22	BARE	R1-B		G2	SQ31	
23	18	BLK	EMI-1	SQ31	CBI-1 LOAD	28,41	5'L								
45	18	WHT	*T82-6S	SOLD	J2-1	30,32	6 1/2'L								
45	18	WHT	*T82-2S	SOLD	J2-2	30,32	6 1/2'L								
45	18	WHT	*T82-6S	SOLD	J8-1	30,32	16 1/2'L								
45	18	WHT	*T82-2S	SOLD	J8-2	30,32	16 1/2'L								

SEE NOTE 2

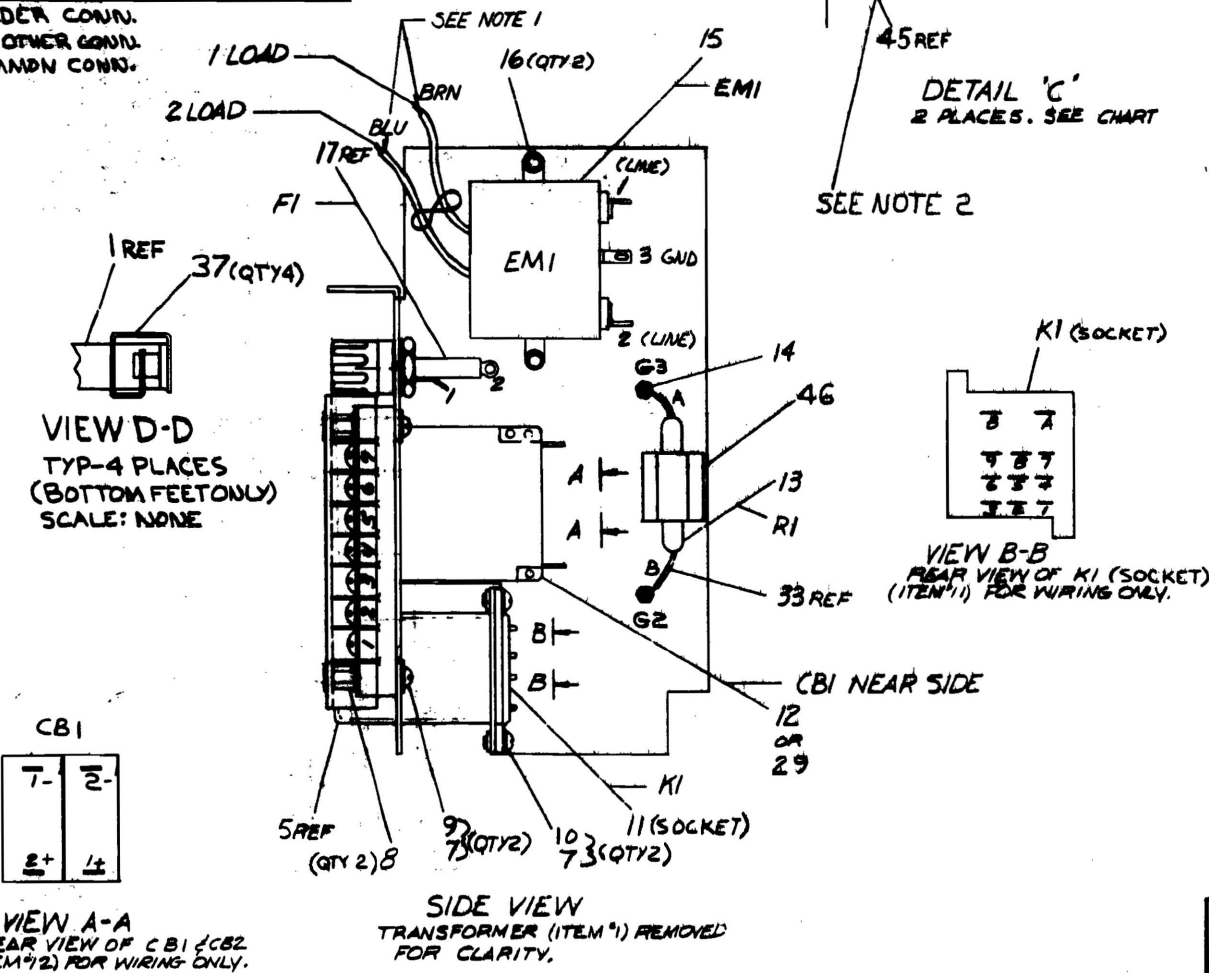
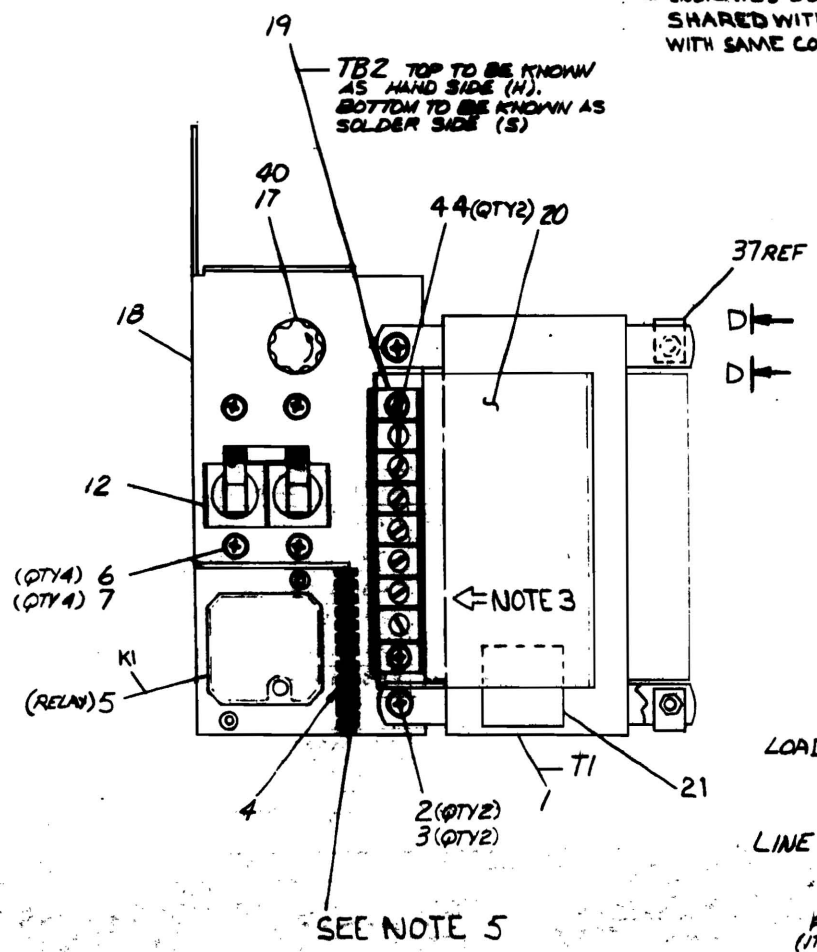
SEE NOTE 1/2

SEE NOTE 2
SEE DETAIL 'C'

* INDICATES SOLDER CONN. SHARED WITH OTHER CONN. WITH SAME COMMON CONN.

NOTES:

1. SECOND SOURCE FOR ITEM 15 (LINE FILTER) WILL HAVE WHT & BLK LEADS. SUBSTITUTE WHT FOR BLU AND BLK FOR BRN.
2. TWISTED PAIR WIRE TO HAVE A MIN OF 4 TWIST PER INCH AS PER WIRE CHART.
3. ALL CONNECTIONS TO T82 ARE TO BE MADE FROM SIDE INDICATED BY ARROW.
4. USE TIE WRAPS (ITEM 38) AS NEEDED.
5. T1 PRIMARY WIRES TO T82 MUST BE ROUTED BY ITEM 4
6. COVER ITEM 28 WITH ITEM 41 TO COVER EXPOSED PART OF TERMINAL.



CONT. ON SHEET 2 of 2

QTY	DESCRIPTION	PART NO.	ITEM NO.
1	JUMPER ASSY (WHT 2")	B-A-701798-0-0	36
1	JUMPER ASSY (BLK 2")	B-A-701797-0-0	35
1	WIRE TIE WRAP (BRN/YEL)	910777-54	34
1	TUBING INS (RED)	9107278-02	33
4	HOUSING SOCKET FASTAB	121020-1	32
4	TUBING SHRINK (RED)	9107305-02	31
4	HOUSING TERM FASTAB	121020-2	30
1	CIRCUIT BREAKER, 5A	1210191-1	29
2	CONN PASTON (RED INS)	9007970	28
1	WIRE 18 AWG TWS (GRY/BLK)	9107430-08	27
1	WIRE 18 AWG INS (BLU)	9107360-66	26
2	RING CRIMP (REDNS)	9007929	25
4	WIRE 18 AWG INS (BRN)	9107360-11	24
4	WIRE 18 AWG INS (BLK)	9107360-00	23
4	WIRE 18 AWG INS (WHT)	9107360-99	22
1	MOUNT TIE WRAP	9008264	21
1	SHIELD TERM	C-A-701743-0-0	20
1	TERMINAL 7 POS	1212788	19
1	BRACKET COMPONENT	D-A-7015769-0-0	18
1	HOLDER, FUSE	9007242-0	17
2	NUT KEPS #6-32	9009243	16
1	FILTER LINE (EMI)	1212748	15
2	TERMINAL TURRET INS	9006966	14
1	RESISTOR 10Ω, 10W	1300173	13
-	CIRCUIT BREAKER, 10A	1210191-0	12
1	SOCKET, RELAY	1212789	11
2	SCR PHIL HD PAN #6-32X.25	9006021-01	10
2	SCR PHIL HD PAN #6-32X.62	9006026-01	9
2	SPACER HEX #6-32 X.19	9006842	8
8	WASHER INT TOOTH LOCK #6	9006633	7
4	SCR PHIL HD PAN #6-32X.19	9006020-01	6
1	RELAY 6.25V 3P 10A	1210683	5
1	GROMMET CATERPILLAR	9007035	4
2	WASHER INT TOOTH LOCK #8	9006634	3
2	SCR PHIL PAN HD #8-32X.44	9006038-1	2
1	TRANSFORMER ASSY	C-A-701803-0-0	1

REV	DATE	BY	CHKD	APP	DESCRIPTION
1	10/10/75
2
3
4
5

701075-1
701075-0

DESCRIPTION: A/C INPUT ASSY (120V/230V)

DATE: 10/10/75

REV: C

SCALE: 1/1

SIZE: D

CODE: AD

NUMBER: 701075-0-0

REV: C

QUANTITY & VARIATION

THIRD ANGLE PROJECTION

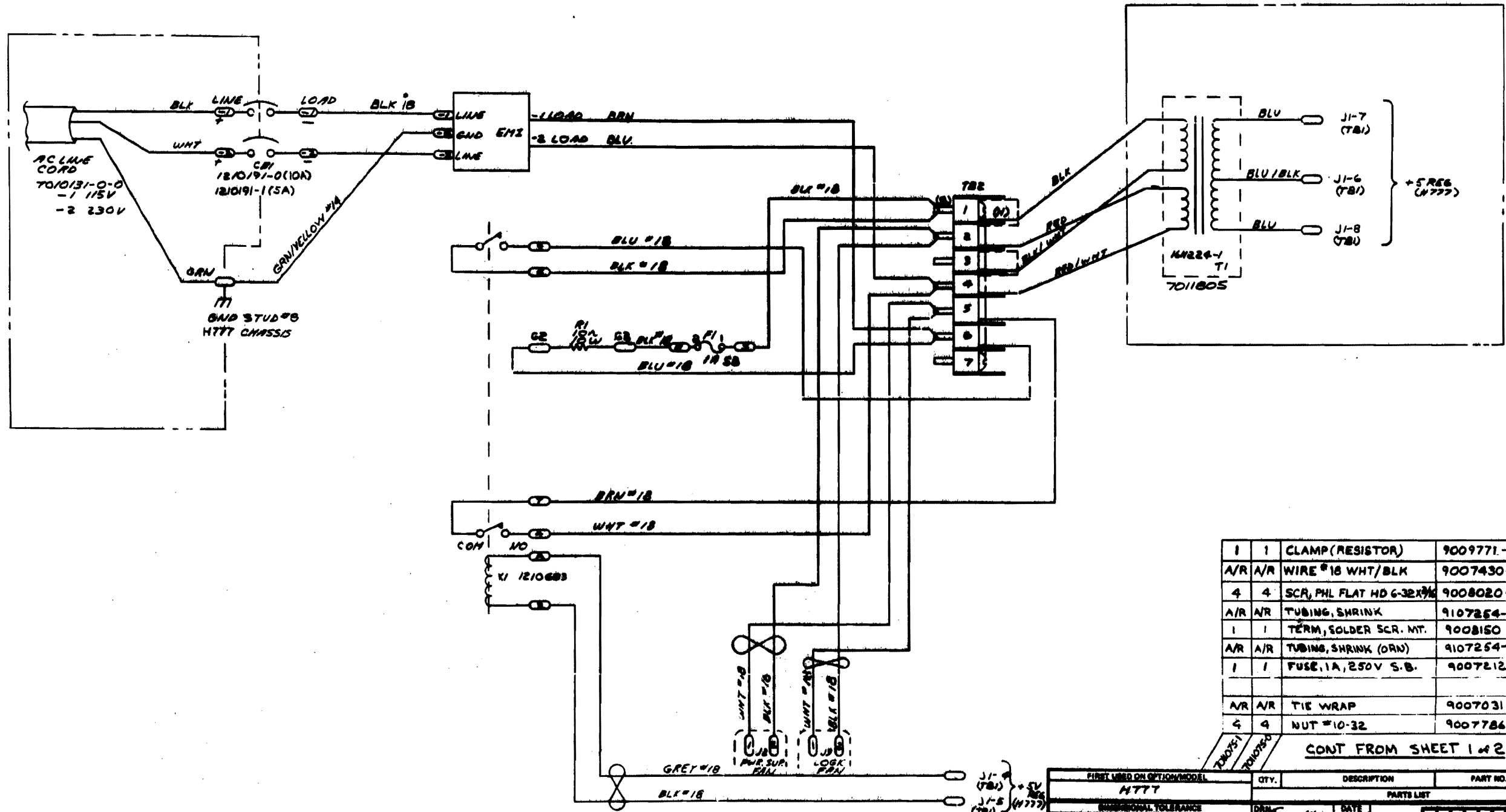
REMOVE DIMS AND BREAK DIMS

DO NOT SCALE DIMS

MATERIAL: --

FINISH: --

"THE DRAWING AND SPECIFICATIONS HEREIN ARE THE PROPERTY OF DIGITAL EQUIPMENT CORPORATION AND SHALL NOT BE REPRODUCED OR COPIED OR USED IN WHOLE OR IN PART AS THE BASIS FOR THE MANUFACTURE OR SALE OF ITEMS WITHOUT WRITTEN PERMISSION.
 COPYRIGHT © 1975 DIGITAL EQUIPMENT CORPORATION"



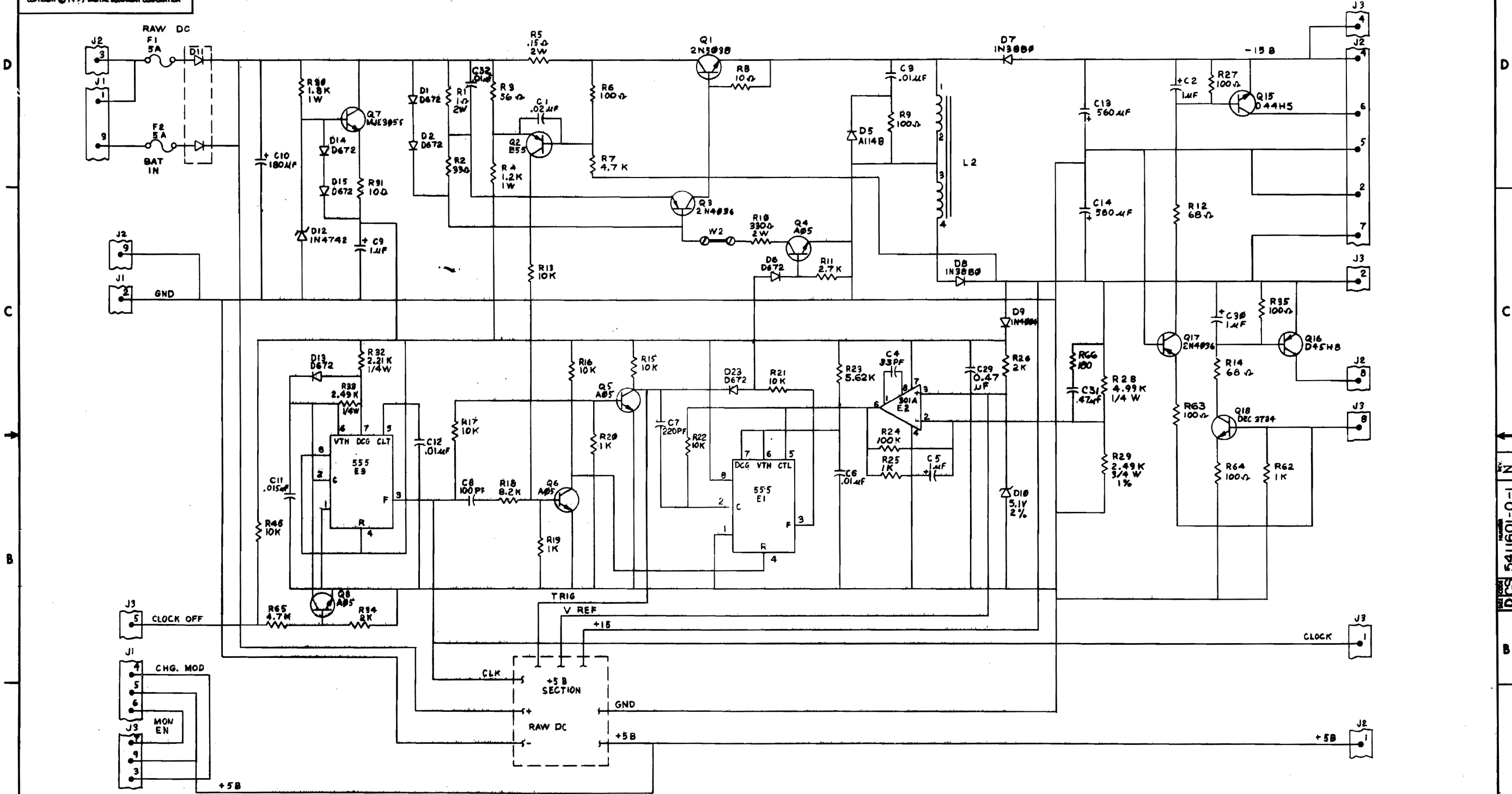
1	1	CLAMP (RESISTOR)	9009771-2	46
A/R	A/R	WIRE #18 WHT/BLK	9007430-09	45
4	4	SCR, PHL FLAT HD 6-32X7/16	9008020-02	44
A/R	A/R	TUBING, SHRINK	9107254-9	43
1	1	TERM, SOLDER SCR. MT.	9008150	42
A/R	A/R	TUBING, SHRINK (DRN)	9107254-02	41
1	1	FUSE, 1A, 250V S.B.	9007212	40
A/R	A/R	TIE WRAP	9007031	38
4	4	NUT #10-32	9007784	37

CONT FROM SHEET 1 of 2

FIRST USED ON OPTION/MODEL H777		QTY.	DESCRIPTION	PART NO.	REV.
DIMENSIONAL TOLERANCE		PARTS LIST			
DIMENSIONS ARE IN INCHES UNLESS OTHERWISE SPECIFIED					
MATERIAL		TITLE AC INPUT ASSY (120V/230V)			
FINISH		SCALE SHEET 2 OF 2		PART NO. 7011075-0-0 REV. C	

REVISIONS	DATE	REV.
CHANGE NO.		
CHK		

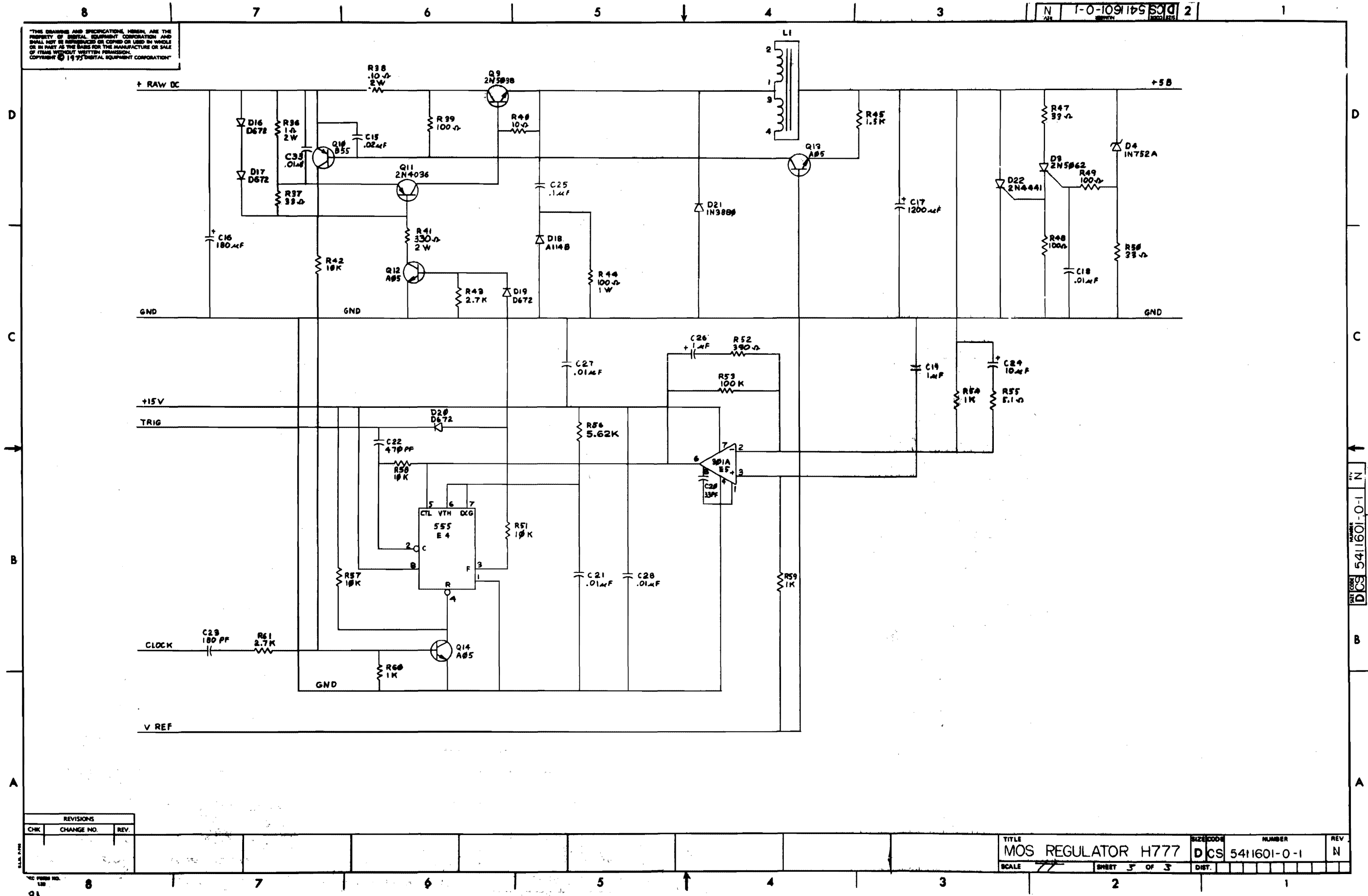
THIS DRAWING AND SPECIFICATIONS HEREON ARE THE PROPERTY OF DIGITAL EQUIPMENT CORPORATION AND SHALL NOT BE REPRODUCED OR COPIED IN WHOLE OR IN PART AS THE BASIS FOR THE MANUFACTURE OR SALE OF ITEMS WITHOUT WRITTEN PERMISSION. COPYRIGHT © 1977 DIGITAL EQUIPMENT CORPORATION



REVISIONS		
CHK	CHANGE NO.	REV.

TITLE	DCS 5411601-0-1	NUMBER	REV.
MOS REGULATOR H777	DCS 5411601-0-1	N	N
SCALE	SHEET 2 OF 3	DIST.	

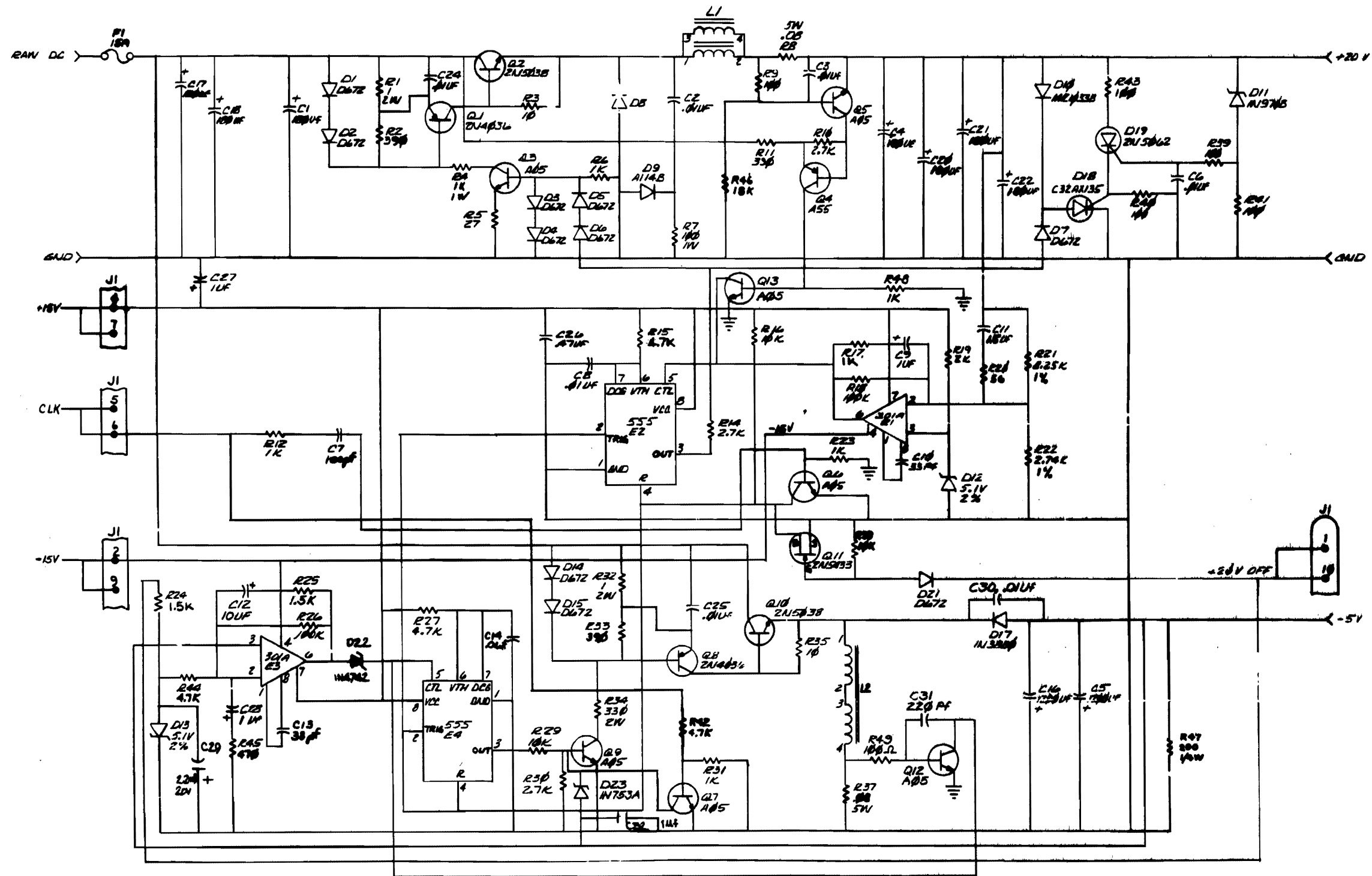
"THE DRAWING AND SPECIFICATIONS HEREIN ARE THE PROPERTY OF DIGITAL EQUIPMENT CORPORATION AND SHALL NOT BE REPRODUCED OR COPIED OR USED IN WHOLE OR IN PART AS THE BASIS FOR THE MANUFACTURE OR SALE OF ITEMS WITHOUT WRITTEN PERMISSION. COPYRIGHT © 1975 DIGITAL EQUIPMENT CORPORATION"



REVISIONS		
CHK	CHANGE NO.	REV.

TITLE	SIZE CODE	NUMBER	REV
MOS REGULATOR H777	DCS	5411601-0-1	N
SCALE	SHEET	OF	DIST.
77	3	3	

DCS 5411601-0-1 N



REV.	CHG.	DATE

DIGITAL EQUIPMENT CORPORATION MAYNARD, MASSACHUSETTS			QUANTITY / VARIATION								
PARTS LIST			H777-AA	H777-AB	H777-BA	H777-BB	H777-CA	H777-CB	H777-DA	H777-DB	
MADE BY	CHECKED	SECTION									
DATE	DATE	ISSUED SECT.									
ENG	PROD	ISSUED SECT.									
DATE	DATE	ISSUED SECT.									
ITEM NO.	DWG NO. / PART NO.	DESCRIPTION									
23	C-IA-7413773-0-0	BRACKET, FAN	2	2	2	2	2	2	2	2	
24	1210984-05	INS SHEET 9.0±.1 x 1.5±.1	A	A	A	A	A	A	A	R	
25	B-DC-7414744-0-0	DECAL H777 P.S.	1	1	1	1	-	-	-	-	
26	A-PS-3612680-0-0	DECAL, CHASSIS GROUND	2	2	2	2	2	2	2	2	
27	C-IA-7011412-0F	CABLE, CHASSIS GROUND	1	1	1	1	1	1	1	1	
28	C-IA-7011412-1H	CABLE, CONSOLE GROUND	-	-	-	-	1	1	1	1	
29	D-CS-5411599-0-1	CORE REG. H777	1	1	-	-	1	1	-	-	
30	9007015	GROMMET	-	-	-	-	1	1	1	1	
31	D-IA-7417407-0-0	CHASSIS P.S.	-	-	-	-	1	1	1	1	
32	D-AD-7012910-0-0	A/C INPUT ASSY (120V)	-	-	-	-	1	-	-	-	
33	D-AD-7012910-1-0	A/C INPUT ASSY (230V)	-	-	-	-	-	1	-	-	
34	E-IA-7417018-0-0	COVER, POWER SUPPLY	-	-	-	-	1	1	1	1	
35	A-PS-1213773-0-0	AC RECEPTACLE	-	-	-	-	1	1	1	1	
36	A-PS-1212877-0-0	FILTER	-	-	-	-	1	1	1	1	
37	D-AD-7012909-0-0	+5V REGULATOR ASSY	-	-	-	-	1	1	1	1	
38	9009771-1-0	CABLE CLAMP	-	-	-	-	2	2	2	2	
39	9006024-01	SCREW, PAN #6 - 32 x .50	-	-	-	-	1	1	1	1	
40	9006404-2	SCR. PHIL PAN HD #6 - 32 x .31	4	4	4	4	1	1	1	1	
41	9107258-02	TUBING, SHRINK (CRN)	-	-	-	-	A	R	A	R	
42	C-IA-7417288-0-0	WIRE A.C. COMM. WARMERS	-	-	-	-	REF	REF	REF	REF	
43	B-DC-7414744-1-0	DECAL H777 P.S.	-	-	-	-	1	1	1	1	
44	9006037-1	SCR. PHIL PAN HD #6 - 32 x .38	-	-	-	-	1	1	1	1	
TITLE POWER SUPPLY ASSY (H777)			ASSY NO. E-UA-H777-0-0	SIZE CODE A PL	NUMBER H777-0-0	REV N	ECO NO.				
SHEET 2 OF 3			DIST								

DEC FORM DEC 16 (325)-1031 N870
ORA 110

DIGITAL EQUIPMENT CORPORATION MAYNARD, MASSACHUSETTS			QUANTITY / VARIATION								
PARTS LIST			H777-AA	H777-AB	H777-BA	H777-BB	H777-CA	H777-CB	H777-DA	H777-DB	
MADE BY	CHECKED	SECTION									
DATE	DATE	ISSUED SECT.									
ENG	PROD	ISSUED SECT.									
DATE	DATE	ISSUED SECT.									
ITEM NO.	DWG NO. / PART NO.	DESCRIPTION									
1	D-IA-7011248-0-0	CHASSIS ASSY P.S.	1	1	1	1	-	-	-	-	
2	9007031-05	TIE WRAP	A	A	A	A	A	A	A	R	
3	D-AD-7011075-0-0	A/C INPUT ASSY (120V)	1	-	-	-	-	-	-	-	
4	D-AD-7011075-1-0	A/C INPUT ASSY (230V)	-	1	-	-	-	-	-	-	
5	9007035	GROMMET CAT.	A	A	A	A	A	A	A	R	
6	9006563	NUT, KEPS #6 - 32	2	2	2	2	2	2	2	2	
7	E-MD-7413825-0-0	COVER, POWER SUPPLY	1	1	1	1	-	-	-	-	
8	D-AD-7011073-0-0	+5V REGULATOR ASSY	1	1	1	1	-	-	-	-	
9	D-CS-5411601-0-1	MOS. REG. H777	1	1	1	1	1	1	1	1	
10	9006021-01	SCR. PHIL HD PAN #6 - 32 x .31	4	4	2	2	3	3	1	1	
11	9008509	STRAIN RELIEF	1	1	1	1	-	-	-	-	
12	D-IA-7012320-0	POWER CORD (115V)	1	-	-	-	-	-	-	-	
13	D-IA-7012320-1	POWER CORD (230V)	-	1	-	-	-	-	-	-	
14	9006022-1	SCR. PHIL HD PAN #6-32 x .38	6	6	4	4	-	-	-	-	
15	9006633	WASHER, INT. TOOTH #5	10	10	6	6	3	3	1	1	
16	9009771-02	CLAMP	2	2	2	2	-	-	-	-	
17	1209403-01	FAN, BOXER 115V, 50/60 Hz	1	1	1	1	1	1	1	1	
18	9006020-2	SCR. PHIL FLAT HD #6 - 32 x .25	7	7	7	7	-	-	-	-	
19	9008185	NUT, KEPS #6 - 32	-	-	-	-	2	2	2	2	
20	9006022-1	SCR. PHIL HD PAN #6 - 32 x .38	6	6	4	4	-	-	-	-	
21	9006074-3	SCR., PHIL TRUSS #10 - 32 x .62	4	4	4	4	4	4	4	4	
22	9007651	WASHER, EXT. TOOTH #10	4	4	4	4	4	4	4	4	
TITLE POWER SUPPLY ASSY (H777)			ASSY NO. E-UA-H777-0-0	SIZE CODE A PL	NUMBER H777-0-0	REV N	ECO NO. H777-0-0				
SHEET 1 OF 3			DIST								

25

DIGITAL EQUIPMENT CORPORATION MAYNARD, MASSACHUSETTS			QUANTITY / VARIATION								
PARTS LIST			H777-AA	H777-AB	H777-BA	H777-BB	H777-CA	H777-CB	H777-DA	H777-DB	
MADE BY	CHECKED	SECTION									
DATE	DATE	ISSUED SECT.									
ENG	PROD	ISSUED SECT.									
DATE	DATE	ISSUED SECT.									
ITEM NO.	DWG NO. / PART NO.	DESCRIPTION									
45	9006634	WASHER INT. TOOTH LOCK #8	-	-	-	-	1	1	1	1	
46	9006011-1	SCR PH HD PAN #4 - 40 x .38	-	-	-	-	2	2	2	2	
47	9006632	WASHER INT. TOOTH LOCK #4	-	-	-	-	2	2	2	2	
48	9008020-02	SCR, PHIL FLAT HD. #6-32 x .18	1	1	1	1	-	-	-	-	
49	7011411-1L	CABLE, CONSOLE CONTROL	-	-	-	-	REF	REF	REF	REF	
50	9006022-03	SCR. PHIL. TRUSS #6-32 x .38	-	-	-	-	4	4	2	2	
51	C-IA-7013938-1	CABLE JUMPER	-	-	-	-	1	1	1	1	
52	C-IA-7013938-0	CABLE JUMPER	-	-	-	-	1	1	1	1	
53	C-IA-7013939-0	CABLE GROUNDING	-	-	-	-	1	1	1	1	
54	C-IA-7420323-00	AC POWER CORD W/LABLE (120V)	-	-	-	-	1	-	-	-	
55	C-IA-7420323-01	AC POWER CORD W/LABLE (240V)	-	-	-	-	1	-	-	-	
56	9006656	WASHER, FLAT	4	4	2	2	3	3	1	1	
57	9006025-01	SCR, PAN PHIL #6-32 x 5/8	3	3	3	3	3	3	3	3	
58	9006560	NUT, KEP #6-32	3	3	3	3	3	3	3	3	
59	7011412-3C	CABLE ASSY	1	1	1	1	-	-	-	-	
60	9006561	NUT, HEX #6-32	1	1	1	1	-	-	-	-	
61	7011414-1F	CABLE, CONSOLE CONTROL	REF	REF	REF	REF	-	-	-	-	
62	9009255-00	LABEL	1	1	1	1	1	1	1	1	
63	3614833	LABEL, WARNING	-	-	-	-	1	1	1	1	
TITLE POWER SUPPLY ASSY (H777)			ASSY NO. E-UA-H777-0-0	SIZE CODE A PL	NUMBER H777-0-0	REV N	ECO NO. H777-0-0				
SHEET 3 OF 3			DIST								