





THIS IS A CONTROL DOCUMENT  
IT IS NOT TO BE REPRODUCED OR  
TRANSMITTED IN ANY FORM OR  
BY ANY MEANS, ELECTRONIC OR  
MECHANICAL, INCLUDING PHOTOCOPYING,  
RECORDING, OR BY ANY INFORMATION  
STORAGE AND RETRIEVAL SYSTEM

D

C

B

A

QTY	REF. DESIGNATION	DESCRIPTION	PART NO.	ITEM NO.
1	DB	DIODE, IN761A, 3.1V, 50	1110004	46
3	DB, DB, DB	DIODE, IN761A, 3.1V, 50	1110004	46
4	Q1 THRU Q4	TRANSISTOR PNP, HIGH SPEED	1012071	48
3	E20, E40, E72	I.C. DEC 7400	1000075	47
1	E24	I.C. DEC 7400	1010002	40
3	E27, E28, E29	I.C. DEC 7404	1000000	40
1	E31	I.C. DEC 74004	1010004	50
1	E31	I.C. DEC 74000	1010000	51
1	E31	I.C. DEC 8007	1011100	52
1	E31	I.C. DEC 74050	1010000	53
3	E46, E50, E52	I.C. DEC 74010	1010000	54
2	E53, E55	I.C. DEC 74011	1010007	55
1	E56	I.C. DEC 7402	1010040	56
5	E65, E66, E67, E71	I.C. DEC 7474	1000047	57
3	E68, E69, E67	I.C. DEC 74074	1010044	58
4	E69, E40, E42, E47	I.C. DEC 7475	1000000	59
1	E69	I.C. DEC 740100	1011070	60
2	E77	I.C. DEC 740140	1010040	61
1	E77	I.C. DEC 740140	1010040	62
1	E80	I.C. DEC 740174	1010000	63
7	E8, E4, E12, E20, E24, E41, E40	I.C. DEC 740007	1011041	64
1	E8, E4, E12, E20, E24	I.C. DEC 740007	1011041	65
1	E70	I.C. DEC 70107	1010000	66
7	E9, E11, E17, E18, E19, E20, E20	I.C. DEC 0041	1011070	67
1	E69	I.C. DEC 7407	1011100	68
1	E70	I.C. DEC MC4004	1011000	69
2	E22, E23	I.C. DEC 70022	1012005	70
2	E60, E70	I.C. DEC M0000	1012000	71
1	E8 THRU E9, E10 THRU E11, E21, E22, E27 THRU E29, E30, E30	I.C. DEC 4K, RAM, 5V80	2112000-01	72
1	E8 THRU E9, E10 THRU E11, E21, E22, E27 THRU E29, E30, E30	I.C. DEC 4K, RAM, 5V80	2112700-00	73
1	E69	I.C. DEC CP10010-01	2000000	74
1	E69	I.C. DEC CP10010-01	2000004	75
1	E69	I.C. DEC CP10010	2000000	76
1	E69	I.C. DEC CP10010-01	2000000-01	77
1	E69	I.C. DEC CP10010-01	2111000-01	78
1	E69	I.C. DEC CP10010-01	2000000	79
1	E69	I.C. DEC CP10010-01	2000000	80
1	E70	I.C. DEC CP10010-01	2000000	81
20	W1 THRU W5, W6, W10, W11, W1, TP1, TP2	PIN STAKERS	0000140	82
1	W1 THRU W5, W6, W10, W11, TP1, TP2	PIN STAKERS	0000140	83
8	EYELET 004 - 7	EYELET 004 - 7	0000732	84
2	W7, W8	JUMPER, INSULATED	0000100	85
1	W9	JUMPER, 100V	0010000-00	86
1	W9	JUMPER, 100V	0010000-01	87
5	E60, E60, E60, E20, E20	SECRET 40 PIN DISTRIBUTOR, 27 OHM, 1/4 W	1212000-01	88
1	E60	SECRET 40 PIN DISTRIBUTOR, 27 OHM, 1/4 W	1301000	89
1	(SEE NOTE 5)	WINDLE	1213113-01	90
1	A/R	PERMADOD 340 ADHESIVE	4001200	91
16	E5 THRU E8, E10 THRU E16, E21, E22, E27 THRU E30, E35, E36	I.C. DEC 4K, RAM, 5V80	2113787-01	92
16	E5 THRU E8, E10 THRU E16, E21, E22, E27 THRU E30, E35, E36	I.C. DEC 4K, RAM, 5V80	2113795-01	93

QTY	REF. DESIGNATION	DESCRIPTION	PART NO.	ITEM NO.
1	DB	X-Y COORDINATE HOLE LOCIF 001	K-00-07204-0-4	1
1	DB	ASBY/DRILLING HOLE LAYOUT	D-00-07204-0-5	2
1	DB	MODULE ECO HISTORY	D-00-07204-0-6	3
1	DB	ETCHED CIRCUIT BOARD	0011000	4
1	C100	CAPACITOR, 120pF, 100V, 50	1000007	5
1	C104	CAPACITOR, 80pF, 100V, 50	1000014	6
1	C100	CAPACITOR, 220pF, 100V, 15	1012121	7
1	C102	CAPACITOR, 800pF, 100V, 50	1000000	8
57	C1 THRU C4, C6 THRU C12, C17 THRU C20, C23 THRU C26, C31 THRU C34, C37 THRU C40, C43 THRU C47, C50 THRU C53, C56 THRU C59, C62, C64, C65, C66, C67, C71, C72, C100, C70, C77, C80, C80, C87	CAPACITOR, .001uF, 50V, 100	1001010-00	9
1	C1 THRU C4, C6 THRU C12, C17 THRU C20, C23 THRU C26, C31 THRU C34, C37 THRU C40, C43 THRU C47, C50 THRU C53, C56 THRU C59, C62, C64, C65, C66, C67, C71, C72, C100, C70, C77, C80, C80, C87	CAPACITOR, .01uF, 50V, 05	1001010-00	10
1	C101	CAPACITOR, .001uF, 50V, 100 POLYCARB	1010001-4	11
39	C5 THRU C8, C13 THRU C16, C21 C22, C27 THRU C30, C35, C36, C38, C39, C41, C42, C44, C45, C46, C48, C49, C51, C52, C54, C55, C57, C58, C59 THRU C60, C63, C67, C75	CAPACITOR, .7uF, 20V, 200	1010270	12
1	C63, C68, C69, C70, C73, C74 C76, C78, C81, THRU C86, C89 THRU C90, C90, C97, C70	CAPACITOR, .7uF, 20V, 200	1010270	13
5	C90 THRU C90, C100	CAPACITOR, 10uF, 20V, 100	1004012	14
1	C90 THRU C90	CAPACITOR, 10uF, 20V, 100	1004012	15
2	E9, E25	RESISTOR NETWORK, 14-330, 1/4-W	1311003-02	16
2	R11, R12	RESISTOR, 10 OHM, 1/4W, 50	1301317	17
1	R40	RESISTOR, 10 OHM, 1/4W, 50	1301317	18
3	R42, R43, R45	RESISTOR, 22 OHM, 1/4W, 50	1301000	19
4	R30, R32, R34, R35	RESISTOR, 30 OHM, 1/4W, 50	1300107	20
1	R30	RESISTOR, 30.3 OHM, R400, 15	1300121	21
1	R54	RESISTOR, 270 OHM, 1/4W, 50	1301072	22
3	R13, R18, R40	RESISTOR, 50 OHM, 1/2W, 50	1300000	23
2	R36, R37	RESISTOR, 100 OHM, 1/4W, 50	1300220	24
2	R6, R10	RESISTOR, 130 OHM, R400, 15	1300000	25
1	R21	RESISTOR, 150 OHM, 1/4W, 50	1300000	26
12	R2, R4, R20, R20, R32, R40, R50 R50, R50, R50, R50, R50, R50, R50, R50	RESISTOR, 330 OHM, 1/4W, 50	1300000	27
16	R3, R5, R6, R20, R23, R29, R31 R33, R34, R31, R32, R37, R37, R39 R71, R73	RESISTOR, 600 OHM, 1/4W, 50	1301424	28
1	R5, R5, R50, R31, R33, R39 R51, R52, R57, R57, R50, R71, R73	RESISTOR, 600 OHM, 1/4W, 50	1301424	29
1	R47	RESISTOR, 800 OHM, R400, 15	1300000	30
1	R34	RESISTOR, 1K, 1/4W, 50	1300000	31
1	R34	RESISTOR, 1K, 1/4W, 50	1300000	32
1	R17	RESISTOR, 1.2K, 1/4W, 50	1301200	33
10	R1, R10, R10, R22, R30 THRU R41, R40, R50	RESISTOR, 2K, 1/4W, 50	1300000	34
1	R15	POT, 2K, 1/2W, 100	1300000	35
1	R14	POT, 5K, 1/2W, 100	1300000	36
1	R46	RESISTOR, 5.1K, R400, 15	1304000	37
1	R7	RESISTOR, 8.0K, 1/4W, 50	1301424	38
2	W2, W11	WIRE, SOLID INS. #30 AWG	0100740-00	39
1	W4, W9	WIRE, SOLID INS. #30 AWG	0100740-00	40
1	D5	DIODE, IN740A, 3.0V, 50	1100122	41
20	D1, D3, D4, D7, D10 THRU D21, D23, D24, D25, D26	DIODE, D004	1100114	42

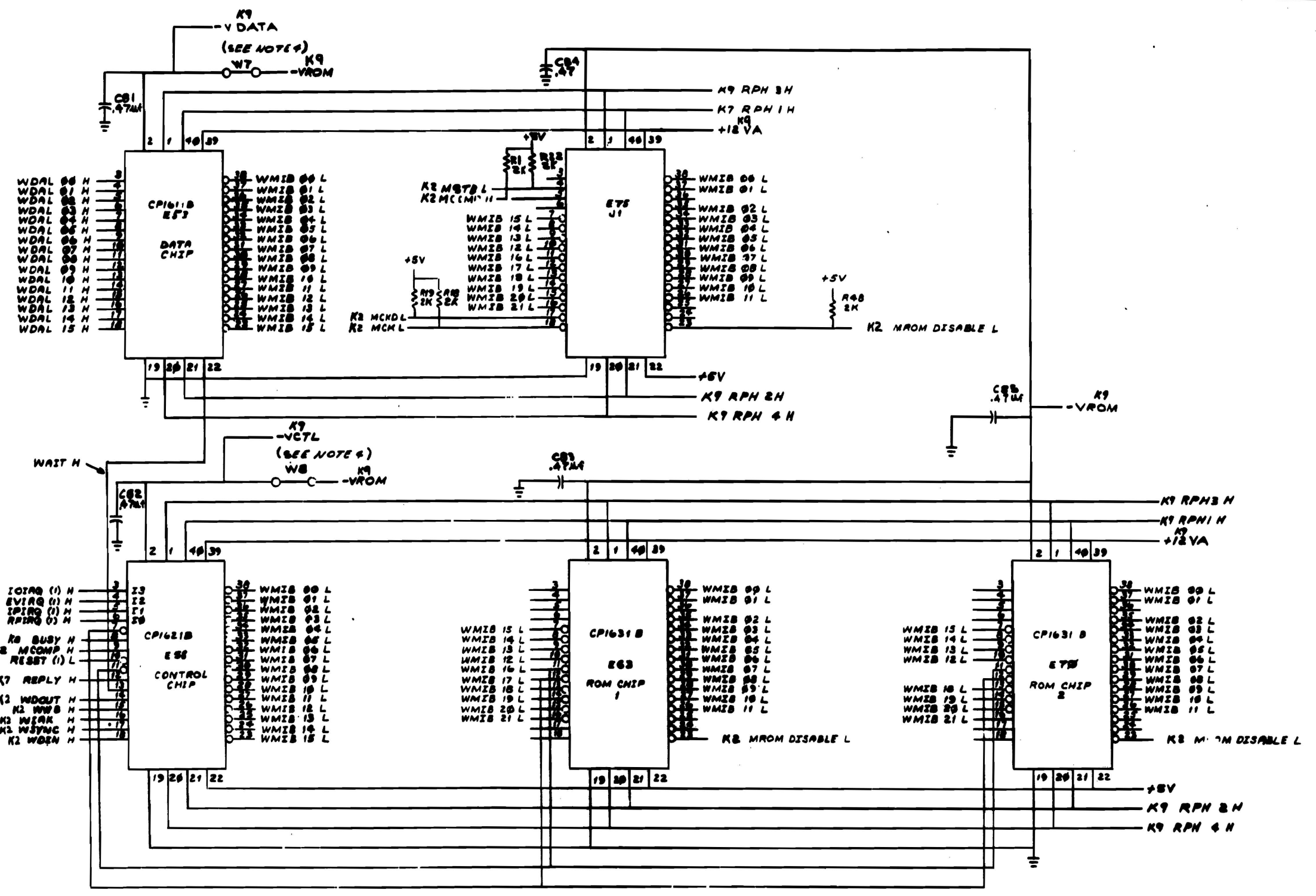
DCS M7264-0-1

REV. NO.	DATE	BY	CHK

QTY	REF. DESIGNATION	DESCRIPTION	PART NO.	ITEM NO.

THIS DRAWING AND INFORMATION HEREON ARE THE PROPERTY OF THE GOVERNMENT OF THE UNITED STATES OF AMERICA AND ARE TO BE CONTAINED IN THE FILES OF THE CONTRACTOR AND NOT TO BE REPRODUCED OR TRANSMITTED IN ANY FORM OR BY ANY MEANS, ELECTRONIC OR MECHANICAL, INCLUDING PHOTOCOPYING, RECORDING, OR BY ANY INFORMATION STORAGE AND RETRIEVAL SYSTEM.

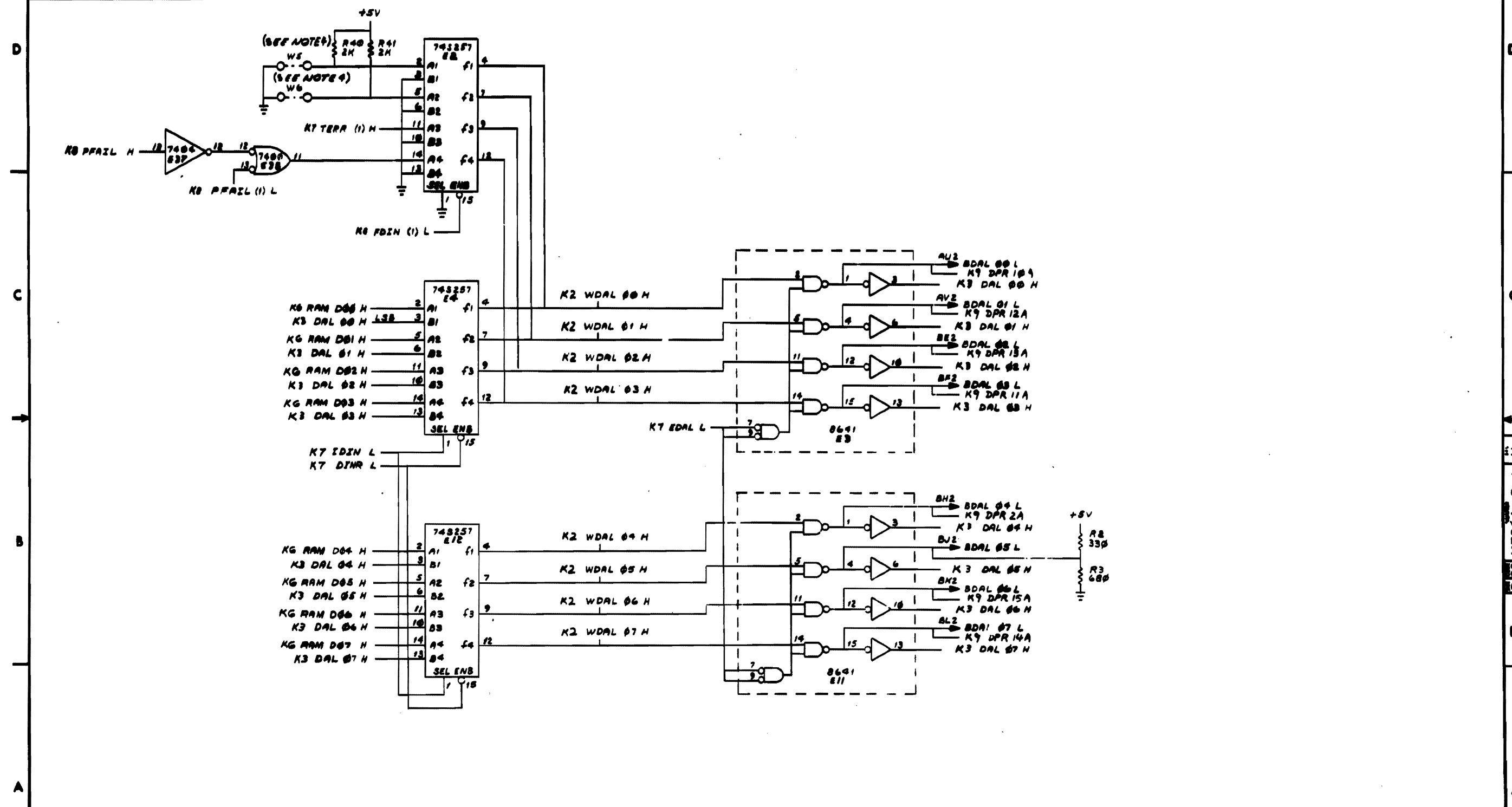
PREFIX "K2" APPLIES TO ALL WDAL WMIB SIGNALS



- K8 IOTAB (1) H
- K8 EVIAB (1) H
- K8 IPIAB (1) H
- K8 RPIAB (1) H
- K8 BUSY H
- K8 MCOMP H
- K8 RESBT (1) L
- K7 REPLY H
- K2 WDGUT H
- K2 WWSB H
- K2 WWSK H
- K2 WWSYC H
- K2 WWSN H

REVISES		
CHK	CHANGE NO.	REV.

THE DESIGN OF THIS CIRCUIT IS THE PROPERTY OF DCS AND IS NOT TO BE REPRODUCED OR TRANSMITTED IN ANY FORM OR BY ANY MEANS, ELECTRONIC OR MECHANICAL, INCLUDING PHOTOCOPYING, RECORDING, OR BY ANY INFORMATION STORAGE AND RETRIEVAL SYSTEM.

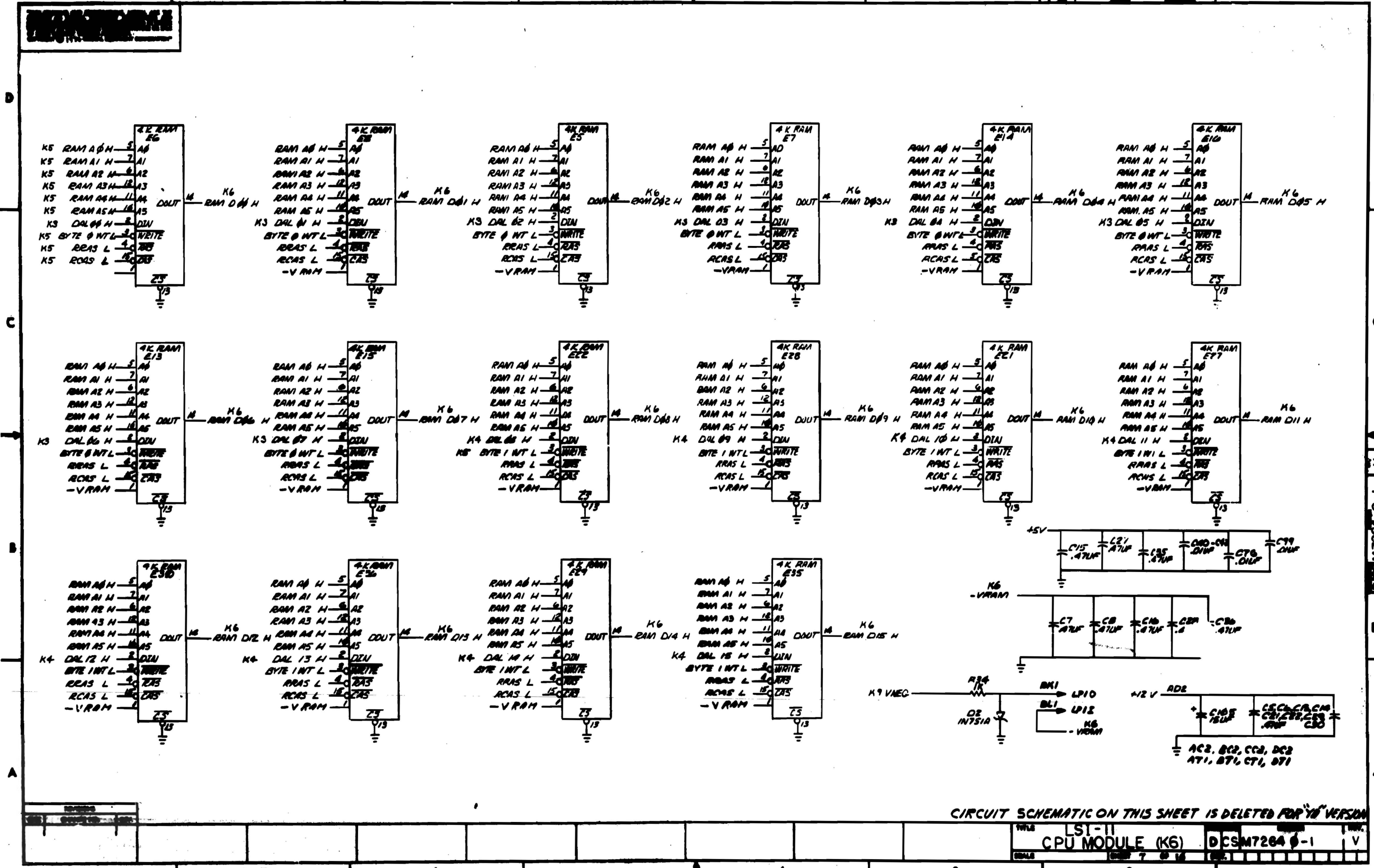


REVISIONS		
CHK	CHANGE NO	REV

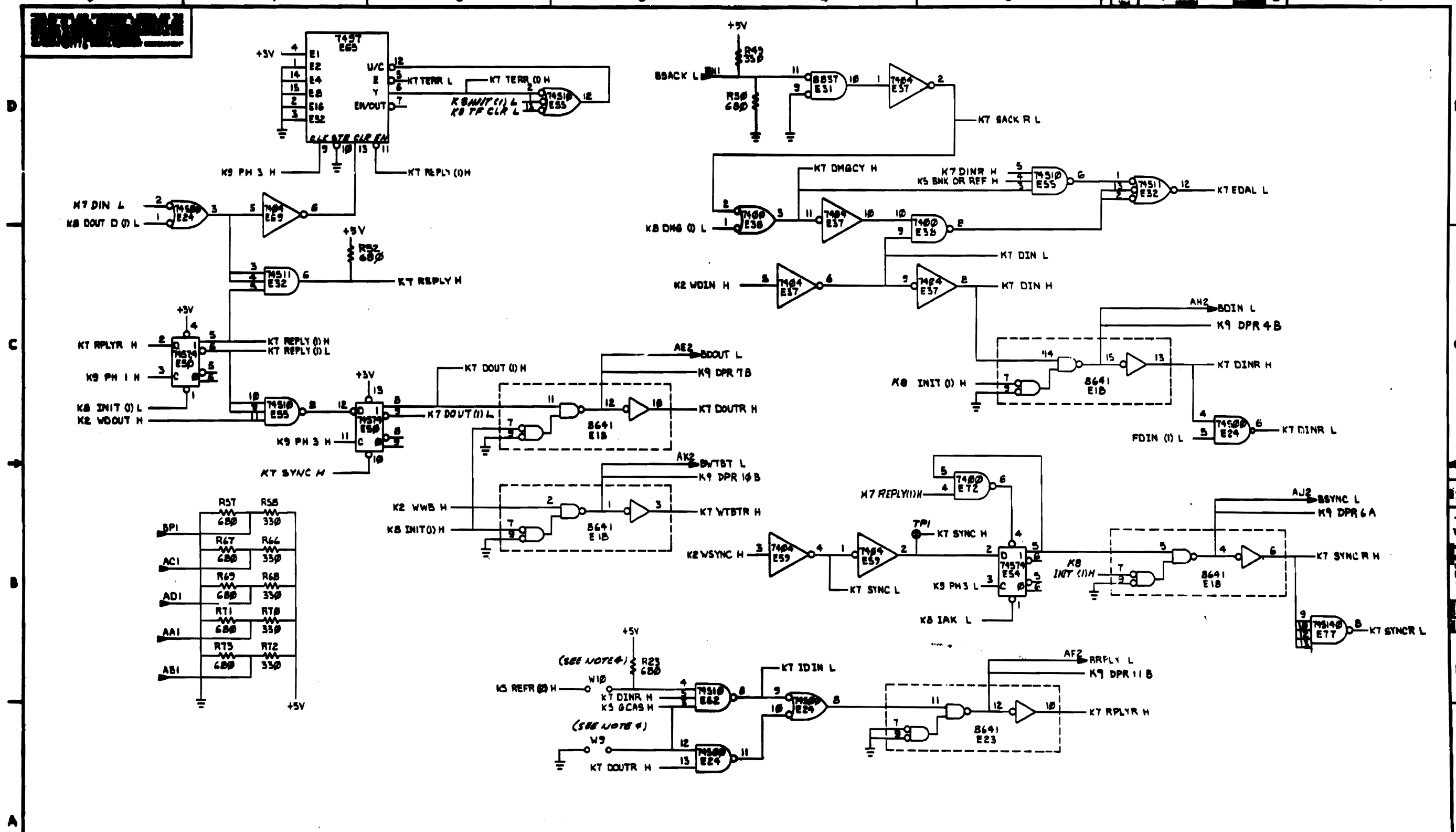
DCS M7264-0-1 V







CIRCUIT SCHEMATIC ON THIS SHEET IS DELETED FOR 10 VERSION



REV	DATE	BY







