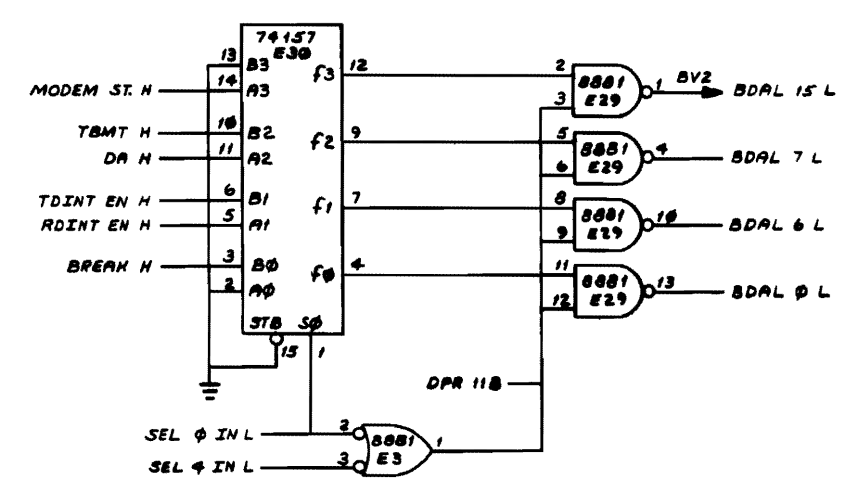
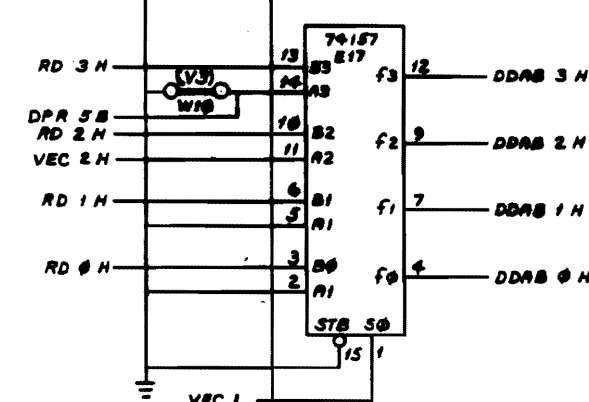
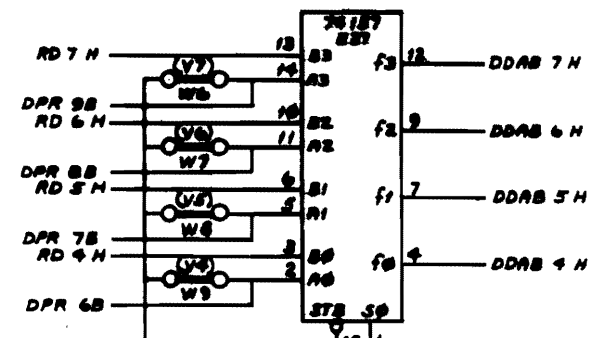
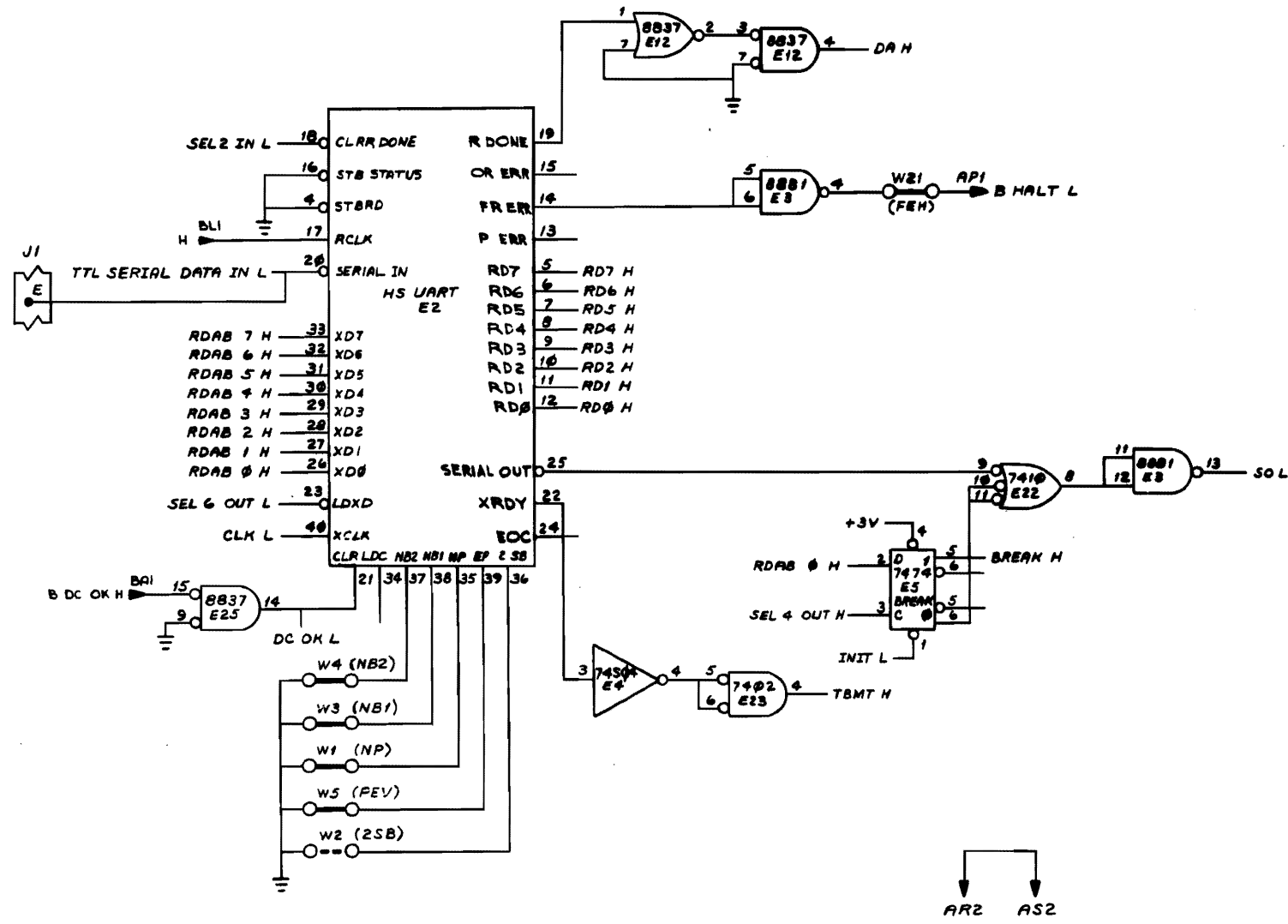


"THE DRAWING AND SPECIFICATIONS HEREON ARE THE PROPERTY OF BENTON ELECTRONIC CORPORATION AND SHALL NOT BE REPRODUCED OR COPIED OR USED IN WHOLE OR IN PART AS THE BASIS FOR THE MANUFACTURE OR SALE OF ITEMS WITHOUT WRITTEN PERMISSION. COPYRIGHT © 1973 BENTON ELECTRONIC CORPORATION"

1-0-0762N SJU 2



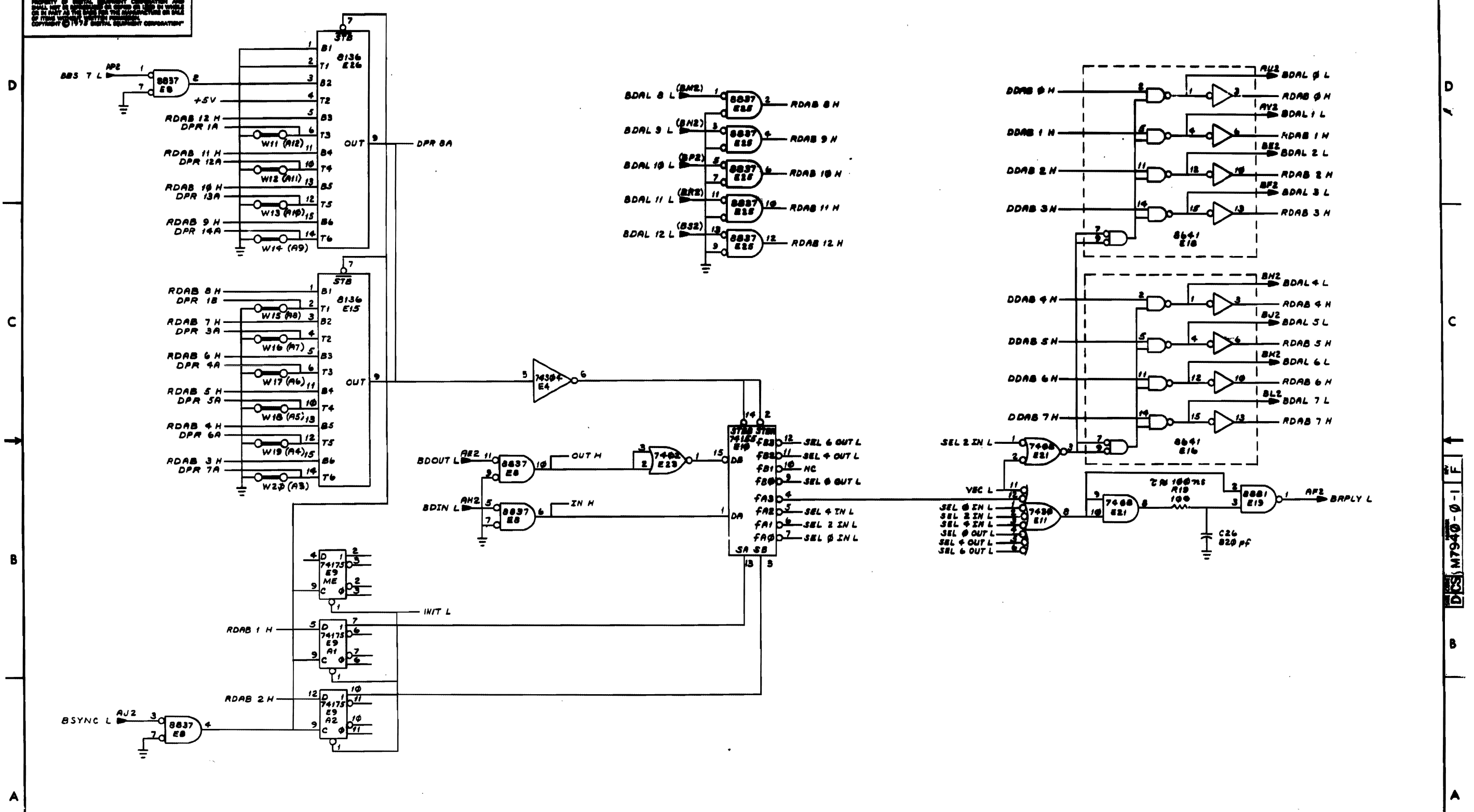
(UART & MULTIPLEXOR LOGIC)

REVISIONS		
CHK	CHANGE NO.	REV.

TITLE	SHEET	NUMBER	REV.
SERIAL LINE UNIT	2 OF 5	M7940-0-1	F
SCALE	DIST.		

DCS M7940-0-1 F

"THIS DRAWING AND SPECIFICATIONS HEREIN ARE THE PROPERTY OF DIGITAL EQUIPMENT CORPORATION AND SHALL NOT BE REPRODUCED OR COPIED IN WHOLE OR IN PART AS THEY ARE THE PROPRIETARY OR PATENTED INFORMATION OF DIGITAL EQUIPMENT CORPORATION. COPYRIGHT © 1973 DIGITAL EQUIPMENT CORPORATION"

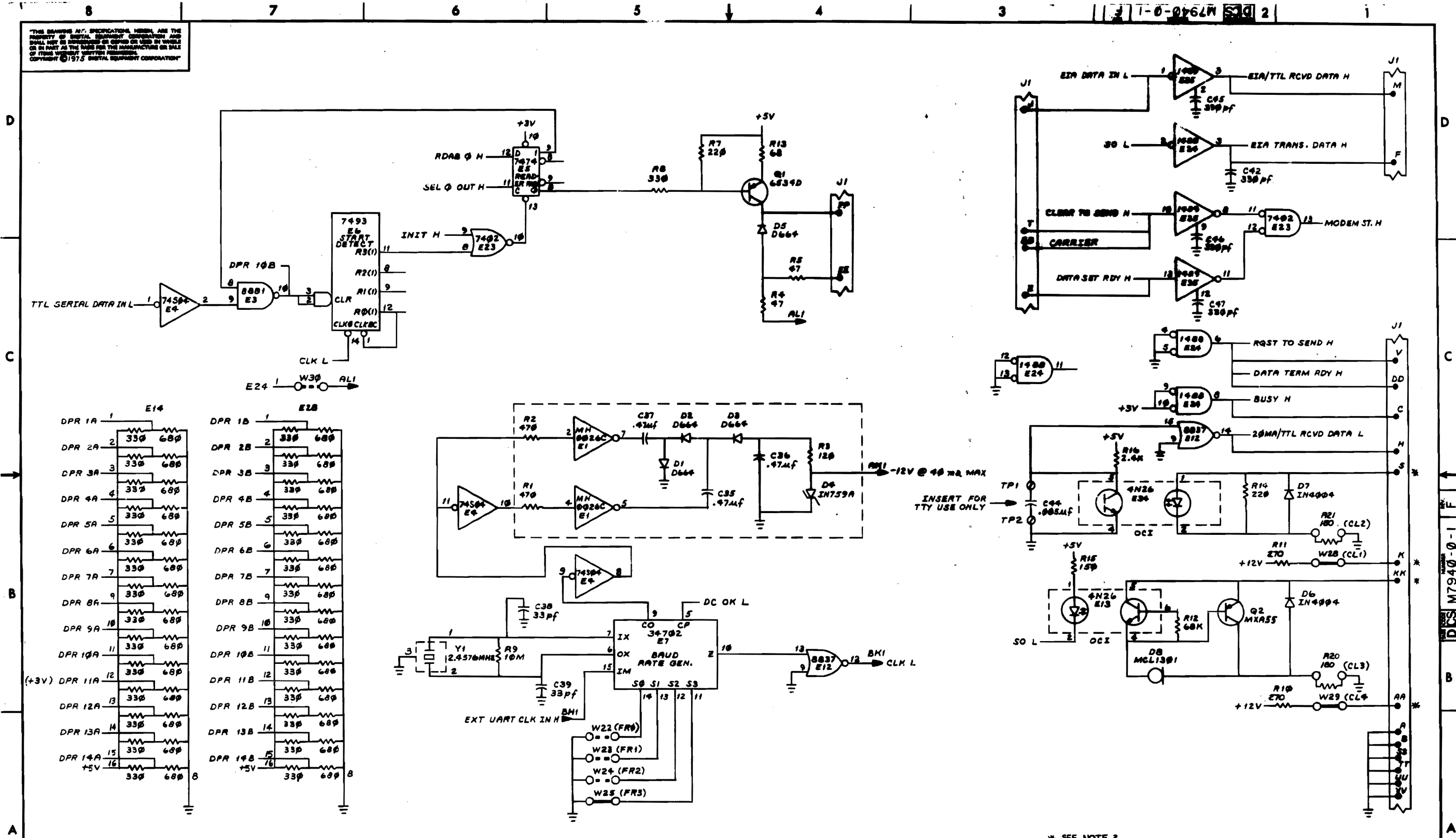


(BUS ADDRESS & I/O LOGIC)

REVISIONS		
CHK	CHANGE NO.	REV.

TITLE	NUMBER	REV.
SERIAL LINE UNIT	DCS M7940-0-1	F
SCALE	SHEET 3 OF 5	DWT.

THIS DRAWING AND SPECIFICATIONS HEREON ARE THE PROPERTY OF DIGITAL EQUIPMENT CORPORATION AND SHALL NOT BE REPRODUCED OR COPIED OR USED IN WHOLE OR IN PART AS THE BASIS FOR THE MANUFACTURE OR SALE OF ITEMS WITHOUT WRITTEN PERMISSION. COPYRIGHT © 1972 DIGITAL EQUIPMENT CORPORATION



* SEE NOTE 2

(PERIPHERAL & BAUD RATE LOGIC)

REVISIONS		
CHK	CHANGE NO.	REV.

TITLE	SIZE/BOOK	NUMBER	REV.
SERIAL LINE UNIT	DCS	M7940-0-1	F
SCALE	SHEET	OF	TOTAL
	4	5	

DEC FORM NO. 500 128

