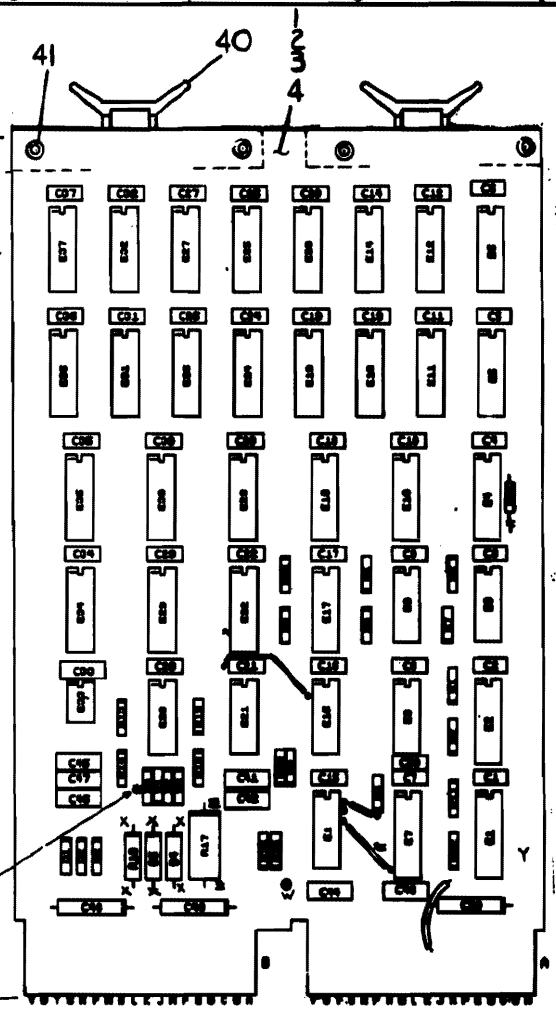


THIS DRAWING AND SPECIFICATIONS ARE THE PROPERTY OF DIGITAL EQUIPMENT CORPORATION. NO PART OF THIS DRAWING OR SPECIFICATIONS IS TO BE REPRODUCED OR TRANSMITTED IN ANY FORM OR BY ANY MEANS, ELECTRONIC OR MECHANICAL, INCLUDING PHOTOCOPYING, RECORDING, OR BY ANY INFORMATION STORAGE AND RETRIEVAL SYSTEM, WITHOUT PERMISSION IN WRITING FROM DIGITAL EQUIPMENT CORPORATION. © 1975

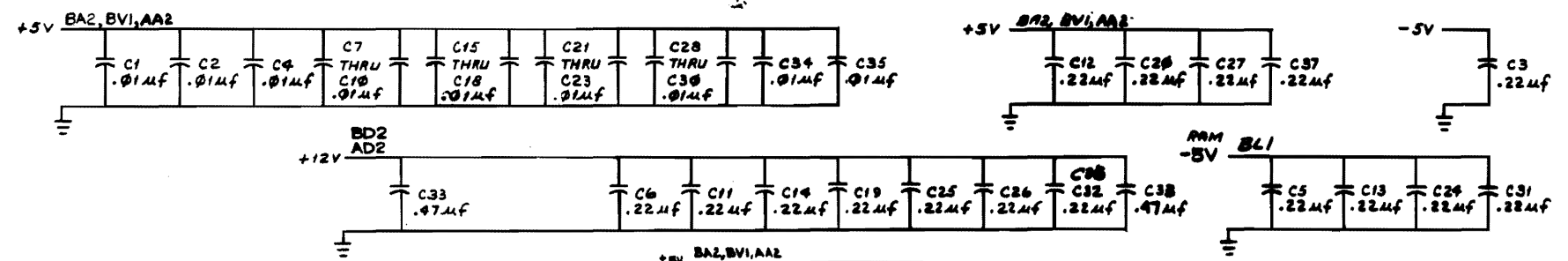
NOTES:

- * W4 IS A CUSTOMER OPTION NOT TO BE INSERTED
- WIRES ADDED: -5 RUN TO AK1, E15 P12 TO E15 P13, E15 P11 TO E7 P7, E15 P13 TO R3, E16 P2 TO FEED THRU (W4) BA2 TO +5V FEEDTHRU, BVI TO +5V CAP C40.
- ETCHES CUT: R3 TO E7 P7, W4 TO E17 P16
- ADHESIVE (ITEM 47) SHOULD BE USED TO SECURE REWORK WIRES WHERE NECESSARY I.E. > 0.5 INCH.
- ITEMS IN THE ALTERNATE PARTS CHART MAY BE SUBSTITUTED FOR THE PRIME PART WHEN NECESSARY.



ALTERNATE PARTS CHART

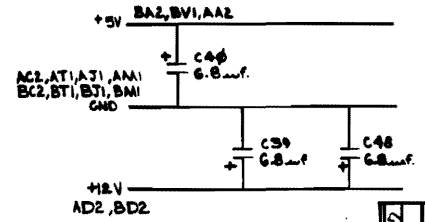
QTY	REF. DESIGNATOR	DESCRIPTION	PART NO.	ITEM NO.
10	C1, C2, C4, C7, C8, C9, C10, C15, C16, C17, C18, C21, C22, C23, C28, C29, C30, C34, C35	CAP .01uF	10-0610-01	5A



IC TYPE	QTY	REF. DESIGNATOR	DESCRIPTION	PART NO.	ITEM NO.
4K RAM	16	9	8		1
I.C. MH0026C	3		6		
I.C. DEC 75107	7	14	13		
I.C. DEC 74123	8	16			
I.C. DEC 8030	8	16			
I.C. DEC 74S257	8	16			
I.C. DEC 7475	12	5			

GND AND 5V ARE USUALLY PIN 7 AND 14 RESPECTIVELY EXCEPTS ARE STATED ABOVE

IC PIN LOCATIONS	GND	+5V	+12V	-5	-9	-5 RAM



- LSI11**
- D. BENNETT
 - W. ERICSON
 - M7944-00006 H
 - M7944-00005 F
 - M7944-00004 E
 - M7944-00003 D
 - M7944-00002 C
 - M7944-00001 B
 - M7944-00000 A

REF	DESCRIPTION	PART NO.	ITEM NO.
REF	X-Y COORDINATE HOLE LOCATION	K-CO-M7944-B-4	1
REF	ASSY/DRILLING HOLE LAYOUT	D-AH-M7944-B-5	2
REF	MODULE ECO HISTORY	B-MH-M7944-B-6	3
1	ETCHED CIRCUIT BOARD	5011575	4
10	C1, C2, C4, C7, C8, C9, C10, C15, C16, C17, C18, C21, C22, C23, C28, C29, C30, C34, C35	CAPACITOR, .01uF, 50V	1001010
3	C39, C40, C46	CAPACITOR, 0.0uF, 30V, 10%	1005300
4	C40, C47, C48, C55	CAPACITOR, .47uF, 25V, 20%	1010279
2	001, C42	CAPACITOR, 220pF, 100V, 1%	1012121
1	C44	CAPACITOR, 100pF, 100V, 5%	1000016
6	C3, C5, C6, C11, C12, C19, C14, C19, C30, C34, C35, C36, C37, C31, C32, C33, C38, C39, C41, C43	CAPACITOR, .22uF, 50V	1010274
2	D4, D5	DIODE, 1N751A	1110994
3	D1, D2, D3	DIODE, 9004	1100114
2	R11, R12	RESISTOR, 20K, 1/4W, 5%	1302291
1	R5	RESISTOR, 0.0K, 1/4W, 5%	1301423
1	R2	RESISTOR, 5.0K, 1/4W, 5%	1301074
1	R1	RESISTOR, 3.0K, 1/4W, 5%	1300439
1	R0	RESISTOR, 1.21K, 1/4W, 1%	1302071
5	R3, R13, R14, R16, R19	RESISTOR, 1K, 1/4W, 5%	1300305
1	R4	RESISTOR, 900, 1/4W, 1%	1302005
2	R15, R10	RESISTOR, 470, 1/4W, 5%	1300310
1	R17	RESISTOR, 330, 10, 5%	1300257
1	R10	RESISTOR, 6800, 1/2W, 5%	1300347
2	R0, R0	RESISTOR, 130, 1/4W, 1%	1303030
1	R7	RESISTOR, 30.3, 1/4W, 1%	1305121
1	R20	RESISTOR, 100K, 1/4W, 1%	1304854
0	E2, E7, E23, E34, E35, E30	I.C. DEC 8041	1911579
2	E4, E22	I.C. DEC 74S257	1911041
1	E0	I.C. DEC 74S140	1910540
1	E0	I.C. DEC 74S10	1910530
1	E21	I.C. DEC 74S05	1910535
1	E16	I.C. DEC 74LS132	1910030
1	E9	I.C. DEC 75107	1910200
4	E10, E17, E10, E20	I.C. DEC 7475	1900050
1	E10	I.C. DEC 7400	1905575
1	E20	I.C. DEC 8242	1900712
1	E33	I.C. MH0026C	1012090
1	E1	I.C. DEC 74123	1910430
10	E5, E8, E11, E12, E13, E14, E19, E20, E24, E25, E26, E27, E31, E32, E30, E37	I.C. 4K RAM	2112726-00
2		HANDLE, FLIP CHIP (MAGENTA)	9006337-06
4		EYELET, 034-7	9000732
3	W1, W2, W3	JUMPER, INSULATED	9004105
2	R21, R22	RESISTOR 47, 1/4W, 5%	1300802
1		SPLIT LUG	90 06755
		WIRE 30 AWG Buss (REWORK)	100710 30
		WIRE 24 AWG Buss (REWORK)	100700 24
		ADHESIVE	1901030
1	C43	CAPACITOR 220pF, 100V 5%	1000021

PARTS LIST

QTY	REF. DESIGNATION	DESCRIPTION	PART NO.	ITEM NO.

ETCH BOARD REV. B

LSI11

digital

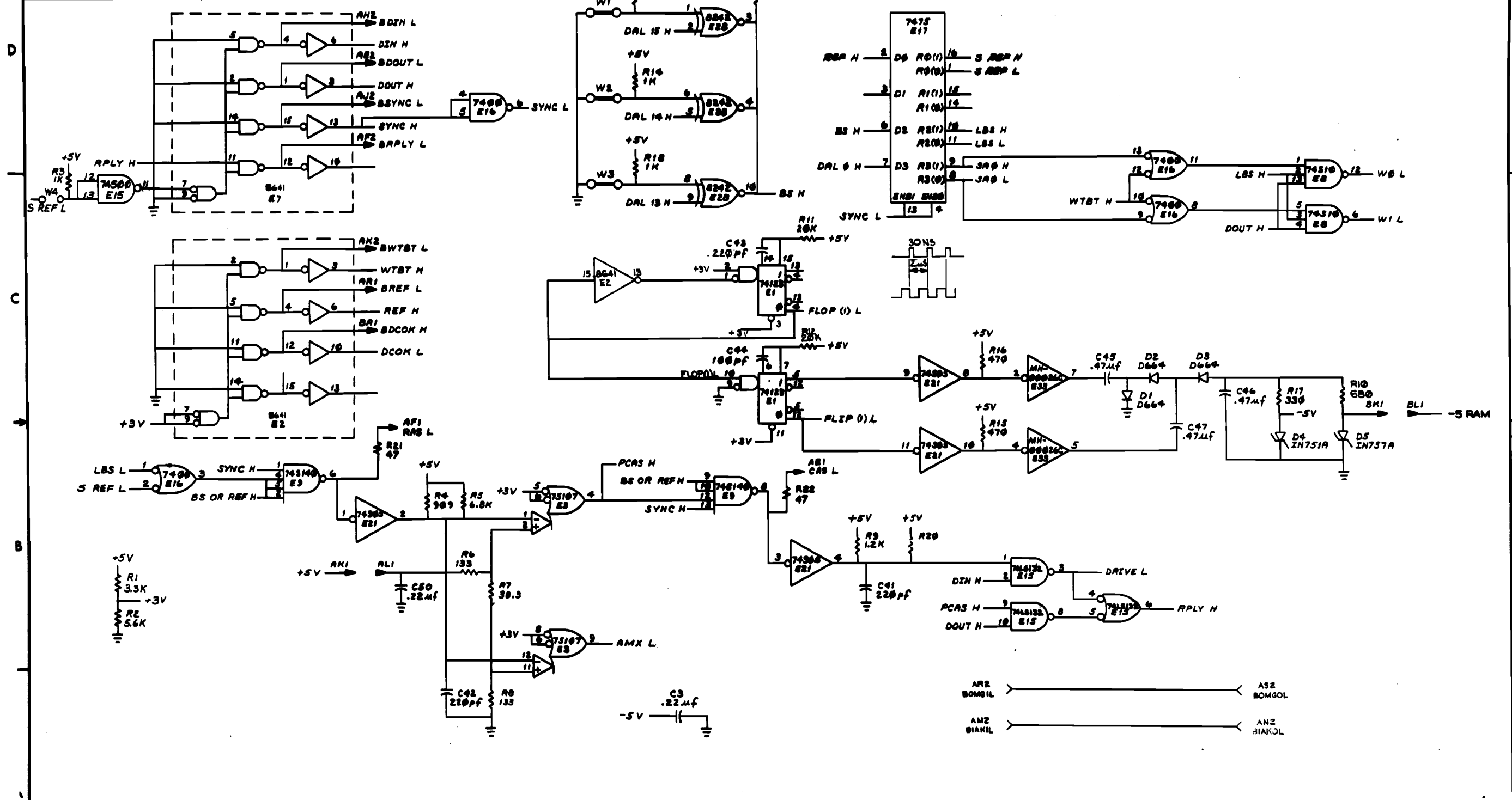
4K RAM

SIZE CODE: D ICS M7944-0-1 H

NUMBER: 1 OF 4

REVISION: H

THIS DRAWING AND OPERATIONAL MANUAL ARE THE PROPERTY OF THE UNITED STATES GOVERNMENT AND ARE LOANED TO YOU BY THE NATIONAL BUREAU OF STANDARDS. IT IS TO BE USED ONLY FOR THE PURPOSES AND IN THE MANNER SPECIFIED IN THE OPERATIONAL MANUAL. IT IS TO BE RETURNED TO THE NATIONAL BUREAU OF STANDARDS UPON REQUEST.

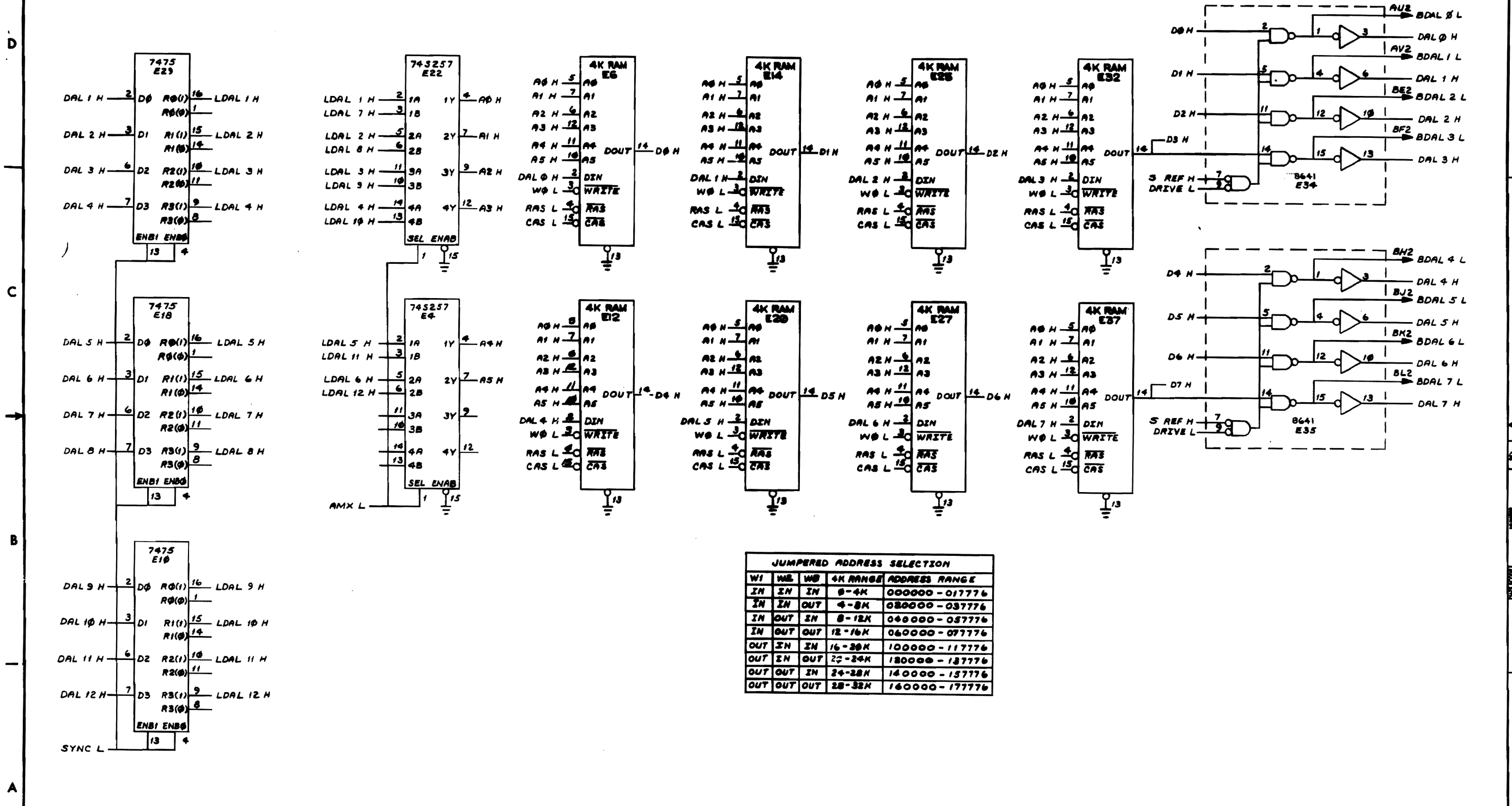


(TIMING GENERATOR & CHARGE PUMP)

REVISIONS		
CHK	CHANGE NO.	REV.

TITLE	4K RAM	SIZE CODE	DCS	NUMBER	M7944-0-1	REV.	H
SCALE		SHEET	2 OF 4	DIST.			

"THE DRAWING AND SPECIFICATIONS HEREIN ARE THE PROPERTY OF DIGITAL EQUIPMENT CORPORATION AND SHALL NOT BE REPRODUCED OR COPIED IN WHOLE OR IN PART AS THE BASIS FOR THE MANUFACTURE OR SALE OF ITEMS WITHOUT WRITTEN PERMISSION. COPYRIGHT © 1973 DIGITAL EQUIPMENT CORPORATION"



JUMPED ADDRESS SELECTION

WI	WE	WD	4K RANGE	ADDRESS RANGE
IN	IN	IN	0-4K	000000 - 017776
IN	IN	OUT	4-8K	020000 - 037776
IN	OUT	IN	8-12K	040000 - 057776
IN	OUT	OUT	12-16K	060000 - 077776
OUT	IN	IN	16-20K	100000 - 117776
OUT	IN	OUT	20-24K	120000 - 137776
OUT	OUT	IN	24-28K	140000 - 157776
OUT	OUT	OUT	28-32K	160000 - 177776

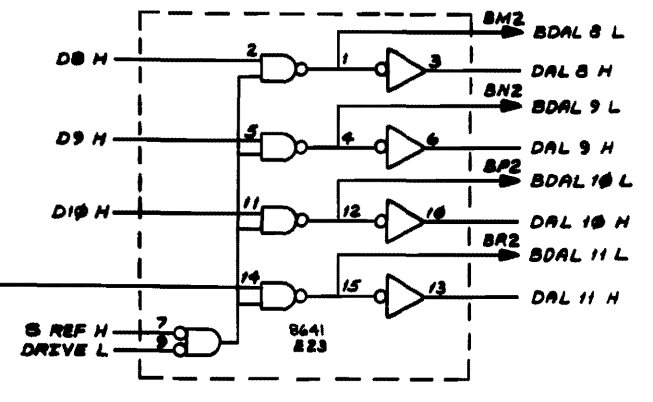
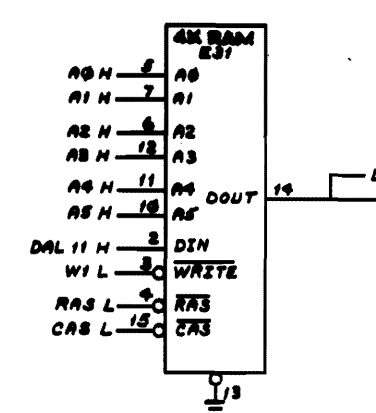
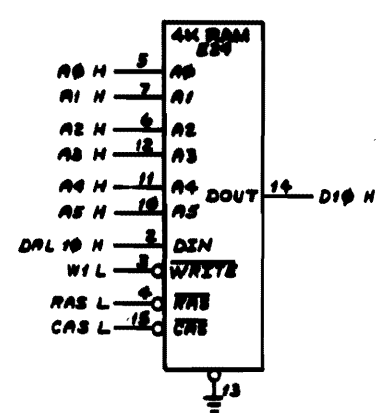
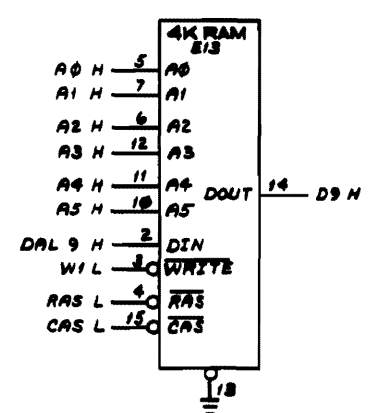
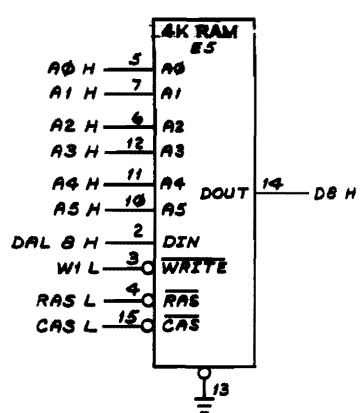
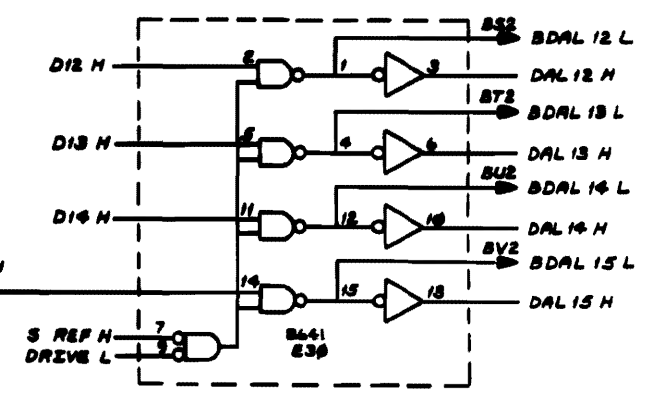
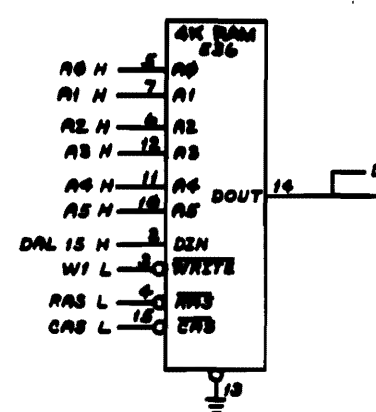
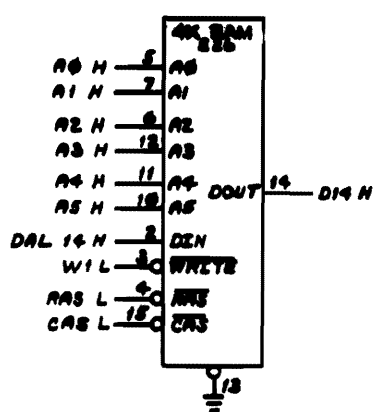
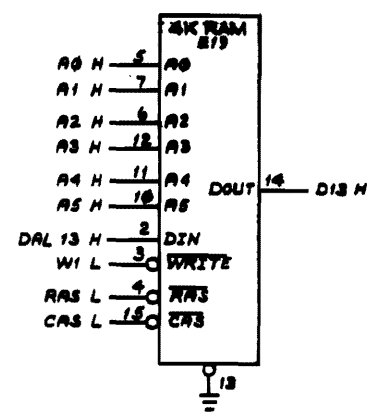
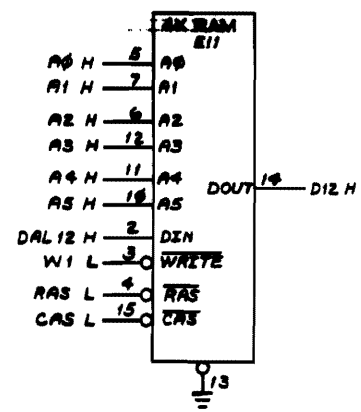
(RAM & DRIVER)

REVISIONS

CHK	CHANGE NO.	REV.

TITLE	4K RAM	SIZE CODE	D CS	NUMBER	M7944-0-1	REV.	H
SCALE	1/1	SHEET	8 OF 4	DIST.			

THIS DRAWING AND ITS CONTENTS ARE THE PROPERTY OF THE U.S. GOVERNMENT AND ARE TO BE REPRODUCED AND TRANSMITTED IN ANY FORM AND BY ANY MEANS WITHOUT PERMISSION OF THE U.S. GOVERNMENT



REVISIONS		
CHK	CHANGE NO.	REV.

(RAM & DRIVER)

TITLE	4K RAM	SIZE/CODE	DCS	NUMBER	M7944-0-1	REV.	H
SCALE	---	SHEET	4 OF 4	DIST.			

