

THIS DRAWING AND THE SPECIFICATIONS CONTAINED HEREIN ARE CONFIDENTIAL AND PROPRIETARY. THEY ARE THE PROPERTY OF DIGITAL EQUIPMENT CORPORATION AND SHALL NOT BE REPRODUCED OR COPIED OR USED IN WHOLE OR IN PART AS THE BASIS FOR MANUFACTURING OR SALE OF ITEMS WITHOUT WRITTEN PERMISSION. THIS IS AN UNPUBLISHED WORK PROTECTED UNDER THE FEDERAL COPYRIGHT LAWS.

FIELD MAINTENANCE PRINT SET

TABLE OF CONTENTS

K-TC-DL11-0-6	FIELD MAINTENANCE PRINT SET
K-DD-DL11-0	DL11 DRAWING DIRECTORY
K-PL-DL11-0-0	DL11 OPTION
E-CS-M7800-0-1	ASYNCHRONOUS LINE INTERFACE
K-PL-M7800-0-DBP	ASYNCHRONOUS LINE INTERFACE
B-DD-M7856-0	SLU/RTC MODULE
D-UA-M7856-0-0	SLU/RTC OPTION
K-PL-M7856-0-0	SLU/RTC OPTION
D-CS-M7856-01	SLU/RTC OPTION

UNIT VARIATIONS
COVERED BY THIS
PRINT SET

DL11-M
DL11-N

DL11-M, DL11-N
FIELD MAINTENANCE PRINT SET

DIGITAL EQUIPMENT CORPORATION
PRINT SET ORDER NO.
MP00968-01 REV A1

REVISION HISTORY			CONT. REVISION HISTORY			MADE BY: R. ROBICHAUD DATE: 28 NOV 83		d i s t r i b u t a l l	
REVI	ECO NUMBER	DATE	REVI	ECO NUMBER	DATE	CHECKED BY: J. FALKOWSKI DATE: 1 DEC 83 <i>J. Falkowski</i>		TITLE: FIELD MAINTENANCE PRINT SET	
A	INITIAL	28 NOV 83				PROJECT ENGR: R. BERGERON DATE: <i>11/28/83</i>		DL11	
						RSPBLE ENGR: M. LAWRENCE DATE: <i>11/28/83</i>		SIZE CODE DOCUMENT NUMBER REV.	
						FIELD SERV.: S. CRANSTON DATE: <i>11/28/83</i>		K TC DL11-0-6 A	
								SHEET 1 OF 1	
								MK	

THIS DRAWING AND THE SPECIFICATIONS CONTAINED HEREIN ARE CONFIDENTIAL AND PROPRIETARY. THEY ARE THE PROPERTY OF DIGITAL EQUIPMENT CORPORATION AND SHALL NOT BE REPRODUCED OR COPIED OR USED IN WHOLE OR IN PART AS THE BASIS FOR MANUFACTURING OR SALE OF ITEMS WITHOUT WRITTEN PERMISSION. THIS IS AN UNPUBLISHED WORK PROTECTED UNDER THE FEDERAL COPYRIGHT LAWS.

DRAWING DIRECTORY

FOR FIELD MAINTENANCE PRINT SET REFER TO K-TC-DL11-0-6

UNIT VARIATIONS	
VARIATION	TITLE
DL11-M	M7800 RS232 FULL MODEM CONTROL, EIA, ASYNC
DL11-N	M7856 RS232/20 MA LIMITED MODEM CONTROL
DL11-AP	SYSTEM INTEGRATED DL11-M
DL11-DP	SYSTEM INTEGRATED DL11-N RS232
DL11-HP	SYSTEM INTEGRATED DL11-N 20 MA

REVISION HISTORY			USED ON OPTION/MODEL	RESPONSIBLE ENGR. : M. LAWRENCE	d i g i t a l			
ENG	ECO NUMBER	REV		DATE : 9-Dec-83	TITLE: DRAWING DIRECTORY			
ML	DL11-MK011	M	DL11	MADE BY : R. ROBICHAUD DATE : 28 NOV 83	DL11			
				CHECKED BY : J. FALKOWSKI DATE : 9 DEC 83				
				DESIGN ENGINEER : R. BERGERON DATE : 9-Dec-83				
				PRODUCTION ENGR. : RADAMES GARCIA DATE : 4-Dec-83	SIZE K	CODE DD	DOCUMENT NUMBER DL11-0	REV. M
					SHEET 1 OF 2		MK	

FIND	#	DRAWING NUMBER	DESCRIPTION	TYPE	FIND	#	DRAWING NUMBER	DESCRIPTION	TYPE
	1	MP00968-01	F.M.P.S. DL11 (MP)	-					
		K-TC-DL11-0-6	F.M.P.S. DL11 (TC)	-					
		K-PL-DL11-0-0	DL11 OPTION	E/M					
		K-AR-CKCKREF-0-0	FLEXIBLE OPTION PLAN	-					
	2	E-CS-M7800-0-1	ASYNCHRONOUS LINE INTERFACE	E/M					
		K-PL-M7800-0-DBP	ASYNCHRONOUS LINE INTERFACE	E/M					
		K-CD-M7800-0-4	X-Y COORDINATE HOLE LAYOUT	-					
		D-AH-M7800-0-5	ASSY DRILLING/HOLE LOCATION	E/M					
		B-MH-M7800-0-6	MODULE ECO HISTORY	-					
		B-SP-M7800-0-7	LA-2335 TEST PROCEDURE	-					
		A-SP-M7800-0-8	M7800 MODULE TEST PROCEDURE	-					
	3	B-DD-M7856-0	SLU/RTC MDULE	-					
	4	K-DD-CKDL11-0	CKDL11 DRAWING DIRECTORY	-					
	5	K-PL-7020866-0-0	SHIPPING LIST DL11	-					

TYPE: E ELECTRICAL								TITLE	DRAWING DIRECTORY		SIZE		CODE		DOCUMENT NUMBER		REV.
M MECHANICAL		d		i		s		i		t		a		l			
E/M ELECTRO/MECHANICAL									DL11				K		DD		DL11-0
											SHEET 2 OF 2					MK	

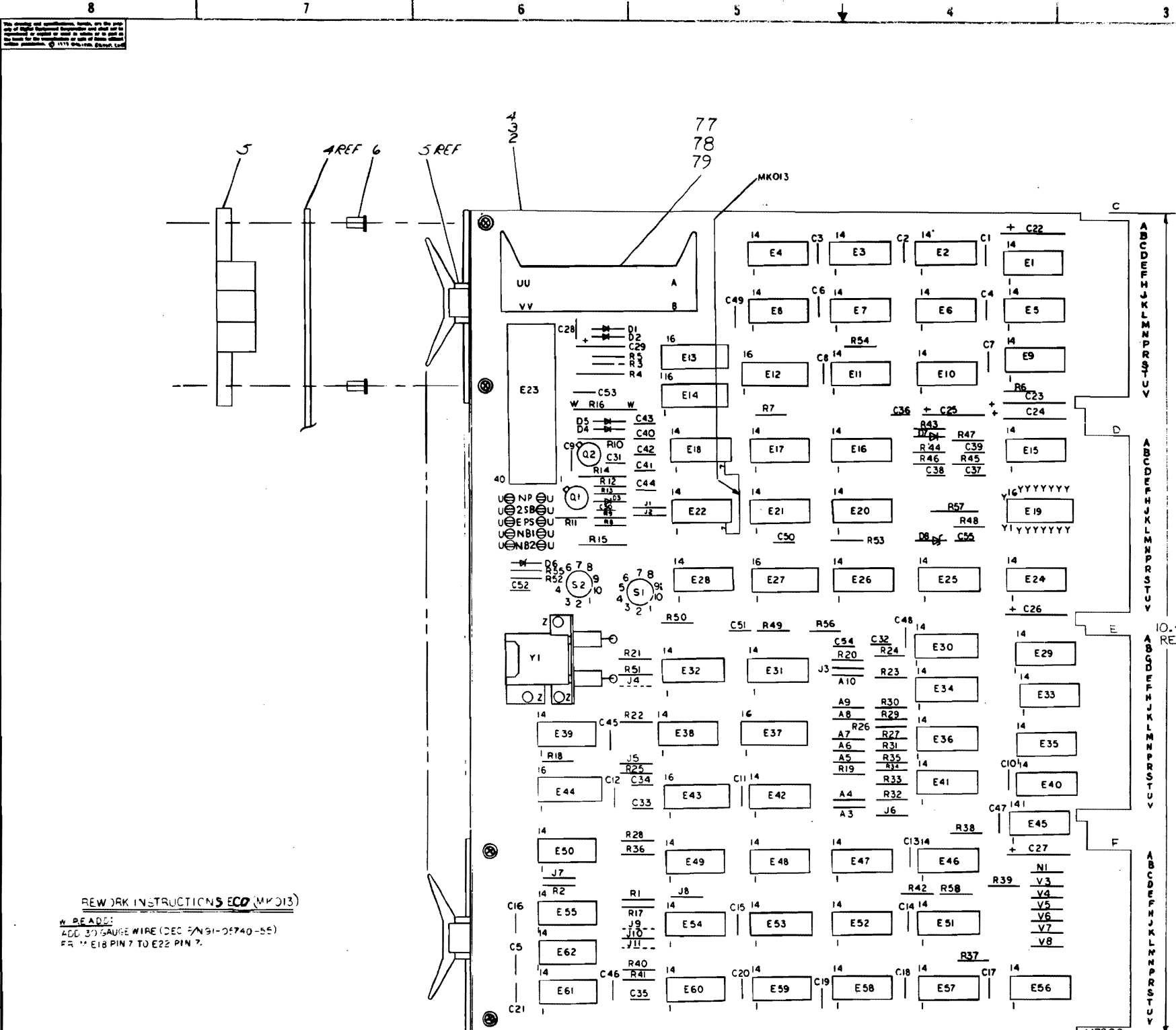
LINE ITEM	TOP DOCUMENT	PART NUMBER	MIN REV	DESCRIPTION	QTY PER VARIATION				
					M	N	AP	DP	HP
1	E-CS-M7800-0-1	M7800-00		ASYNCHRONOUS LINE INTERFACE	1	-	1	-	-
2	D-UA-M7856-0-0	M7856-00		DL11-w SLU/RTC OPT QUAD	-	1	-	1	1
3		1318784-00		R NETWORK MULTI-VALUE 16PIN	1	1	1	1	1
4	K-PL-CKDL11-0-0	CKDL11-00		CABKIT REF TO K-AR-CKCKREF-0-0	-	-	1	1	1
5	K-PL-7020866-0-0	7020866-01		SHIPPING LIST DL11-M	A/R	-	-	-	-
6	K-PL-7020866-0-0	7020866-02		SHIPPING LIST DL11-N	-	A/R	-	-	-

7 NOTE: CKDL11-00 IS A REFERENCE VARIANT ONLY,SEE K-AR-CKCKREF-0-0 FOR EXACT APPLICATION.

REVISION HISTORY		BASIC PART NO: DL11		DRN:	R.ROBICHAUD	DATE:	21-NOV-83	D I G I T A L			
ENG:	ECO NUMBER	REV	SECTION A OF A	CHK'D:	J. FALKOWSKI	DATE:	21-NOV-83	TITLE PARTS LIST			
PL	DL11-MK011	J	SECTION VARIATION INDEX			DATE:	21-NOV-83	DL11 OPTION			
			[A] M , N , AP, DP, HP					DOCUMENT NUMBER			
			[B]	DES.ENG:	R. BERGERON	DATE:	21-NOV-83	SIZE:	CODE:	NUMBER	REV
			[C]	RESP.ENG.:	M. LAWRENCE	DATE:	21-NOV-83	K	PL	DL11-0-0	J
			[D]					RELEASE DATE:			
			[E]	MFG.ENG.:	RADAMES GARCIA	DATE:	21-NOV-83				
			[F]	ASSEMBLY NUMBER:		TOP DOCUMENT NUMBER:		FILE NAME:	EDIT #		
						16K-DD-DL11-0		MK0939.PLS	7		

"THIS DRAWING AND THE SPECIFICATIONS CONTAINED HEREIN ARE CONFIDENTIAL AND PROPRIETARY. THEY ARE THE PROPERTY OF DIGITAL EQUIPMENT CORPORATION AND SHALL NOT BE REPRODUCED OR COPIED OR USED IN WHOLE OR IN PART AS THE BASIS FOR THE MANUFACTURE OR SALE OF ITEMS WITHOUT WRITTEN PERMISSION. THIS IS AN UNPUBLISHED WORK PROTECTED UNDER THE FEDERAL COPYRIGHT LAWS."

MC



NOTES:

1. PIN NOTATION THROUGHOUT IS ORDERED UPON MODULE PLACEMENT IN THE SYSTEM UNIT. MODULE REFERENCE ALONE IS OBTAINED BY CONVERTING THE FIRST LETTER ACCORDING TO THE PIN NOMENCLATURE CHART AT THE LEFT.
2. NUMBERS TO BE USED AT CONNECTIONS A3-A10, J1-J10, V3-V8, AND N1.
3. LETTERS ENCLOSED IN PARENTHESIS REFER TO PINS ON THE BERG CONNECTOR. EXAMPLE: (X).
4. DEC B6403 WERE PHASED IN AS DEC 380 REPLACEMENTS ANY 380 FAILURES SHOULD BE REPLACED BY B6403 EXCEPT E28, E28 MUST BE REPLACED WITH A 7380.
5. FOR YC VERSION, C36 VALUE IS 1200PF.

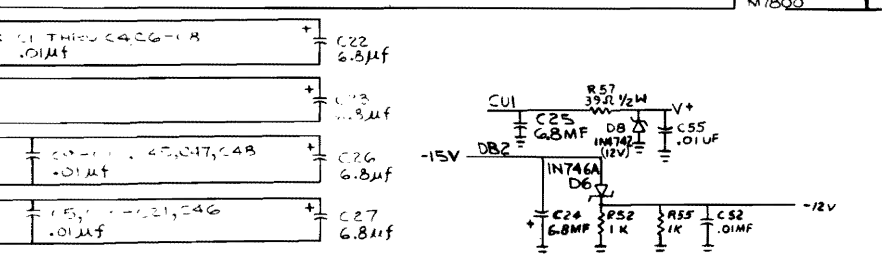
PIN NOMENCLATURE
MODULE SYSTEM UNIT

IC	REF	DESCRIPTION	PART NO.
E28	IC	DEC 7380	1910380
		LATCH RIGHT	1209941-04
		LATCH LEFT	1209941-03
		CONNECTOR BERG	1209941-02
		INSULATED JUMPER	9009185
		CAP 1200 PF 100V 3%	1082423
		WIRE #2 28 GAUGE BUS	9105540-01
		RES 18 1/2W 5%	1302336
		DIODE 4742 12V 10% 1W ZOM	1101502
		INT. WASHER #2	9006631
		IC DEC 7416	1910650
		NUT HEX #2	9006655
		SCR PHL PAN HD 2.56X1/416	9010600-168
		AUGAT 8000 PG-1	11202812
		DIODE 6642 20V 100MA	11000011A
		DIODE 1N75A	11004850
		TRANSISTOR 6534D	1003409-006
		CAP 100PF 100V 5% 1000016	1000016
		CAP 560PF 100V 5% 1000025	1000025
		CAP 0.47MF CERAMIC	10004678
		CAP 220PF 100V 5% 1000021	1000021
		CAP 330PF 100V 5% 1000023	1000023
		CAP 100PF 100V 5% 1000024	1000024
		CAP 100PF 100V 5% 1000025	1000025
		CAP 100PF 100V 5% 1000026	1000026
		CAP 100PF 100V 5% 1000027	1000027
		CAP 100PF 100V 5% 1000028	1000028
		CAP 100PF 100V 5% 1000029	1000029
		CAP 100PF 100V 5% 1000030	1000030
		CAP 100PF 100V 5% 1000031	1000031
		CAP 100PF 100V 5% 1000032	1000032
		CAP 100PF 100V 5% 1000033	1000033
		CAP 100PF 100V 5% 1000034	1000034
		CAP 100PF 100V 5% 1000035	1000035
		CAP 100PF 100V 5% 1000036	1000036
		CAP 100PF 100V 5% 1000037	1000037
		CAP 100PF 100V 5% 1000038	1000038
		CAP 100PF 100V 5% 1000039	1000039
		CAP 100PF 100V 5% 1000040	1000040
		CAP 100PF 100V 5% 1000041	1000041
		CAP 100PF 100V 5% 1000042	1000042
		CAP 100PF 100V 5% 1000043	1000043
		CAP 100PF 100V 5% 1000044	1000044
		CAP 100PF 100V 5% 1000045	1000045
		CAP 100PF 100V 5% 1000046	1000046
		CAP 100PF 100V 5% 1000047	1000047
		CAP 100PF 100V 5% 1000048	1000048
		CAP 100PF 100V 5% 1000049	1000049
		CAP 100PF 100V 5% 1000050	1000050
		CAP 100PF 100V 5% 1000051	1000051
		CAP 100PF 100V 5% 1000052	1000052
		CAP 100PF 100V 5% 1000053	1000053
		CAP 100PF 100V 5% 1000054	1000054
		CAP 100PF 100V 5% 1000055	1000055
		CAP 100PF 100V 5% 1000056	1000056
		CAP 100PF 100V 5% 1000057	1000057
		CAP 100PF 100V 5% 1000058	1000058
		CAP 100PF 100V 5% 1000059	1000059
		CAP 100PF 100V 5% 1000060	1000060
		CAP 100PF 100V 5% 1000061	1000061
		CAP 100PF 100V 5% 1000062	1000062
		CAP 100PF 100V 5% 1000063	1000063
		CAP 100PF 100V 5% 1000064	1000064
		CAP 100PF 100V 5% 1000065	1000065
		CAP 100PF 100V 5% 1000066	1000066
		CAP 100PF 100V 5% 1000067	1000067
		CAP 100PF 100V 5% 1000068	1000068
		CAP 100PF 100V 5% 1000069	1000069
		CAP 100PF 100V 5% 1000070	1000070
		CAP 100PF 100V 5% 1000071	1000071
		CAP 100PF 100V 5% 1000072	1000072
		CAP 100PF 100V 5% 1000073	1000073
		CAP 100PF 100V 5% 1000074	1000074
		CAP 100PF 100V 5% 1000075	1000075
		CAP 100PF 100V 5% 1000076	1000076
		CAP 100PF 100V 5% 1000077	1000077
		CAP 100PF 100V 5% 1000078	1000078
		CAP 100PF 100V 5% 1000079	1000079
		CAP 100PF 100V 5% 1000080	1000080
		CAP 100PF 100V 5% 1000081	1000081
		CAP 100PF 100V 5% 1000082	1000082
		CAP 100PF 100V 5% 1000083	1000083
		CAP 100PF 100V 5% 1000084	1000084
		CAP 100PF 100V 5% 1000085	1000085
		CAP 100PF 100V 5% 1000086	1000086
		CAP 100PF 100V 5% 1000087	1000087
		CAP 100PF 100V 5% 1000088	1000088
		CAP 100PF 100V 5% 1000089	1000089
		CAP 100PF 100V 5% 1000090	1000090
		CAP 100PF 100V 5% 1000091	1000091
		CAP 100PF 100V 5% 1000092	1000092
		CAP 100PF 100V 5% 1000093	1000093
		CAP 100PF 100V 5% 1000094	1000094
		CAP 100PF 100V 5% 1000095	1000095
		CAP 100PF 100V 5% 1000096	1000096
		CAP 100PF 100V 5% 1000097	1000097
		CAP 100PF 100V 5% 1000098	1000098
		CAP 100PF 100V 5% 1000099	1000099
		CAP 100PF 100V 5% 1000100	1000100

REW JAK INSTRUCTIONS EGD (MK013)

W. BEARDS
ADD 37 GAUGE WIRE (DEC 7491-06740-55)
FR M18 PIN 7 TO E22 PIN 7.

REV	DATE	DESCRIPTION
DEC 7411	8 16	-
DEC 7408	7	-
DEC 7407	3 1	-
DEC 74175	8 16	-
DEC 0871	8 16	-
DEC 7402	8 16	-
DEC 7401	1 8	-
DEC 7493	10 5	-
DEC 7492	10 5	-
DEC 74153	8 16	-
DEC 8640	1 8	-
DEC 7490	10 5	-
DEC 74123	8 16	-



SEMICONDUCTOR CONVERSION CHART

DEC NO.	EIA NO.	DEC NO.	EIA NO.
6534D	MPS6534	1N746A	1N4M33A
6534D	MPS6534	6534D	1N3606

ETCH BOARD REV M

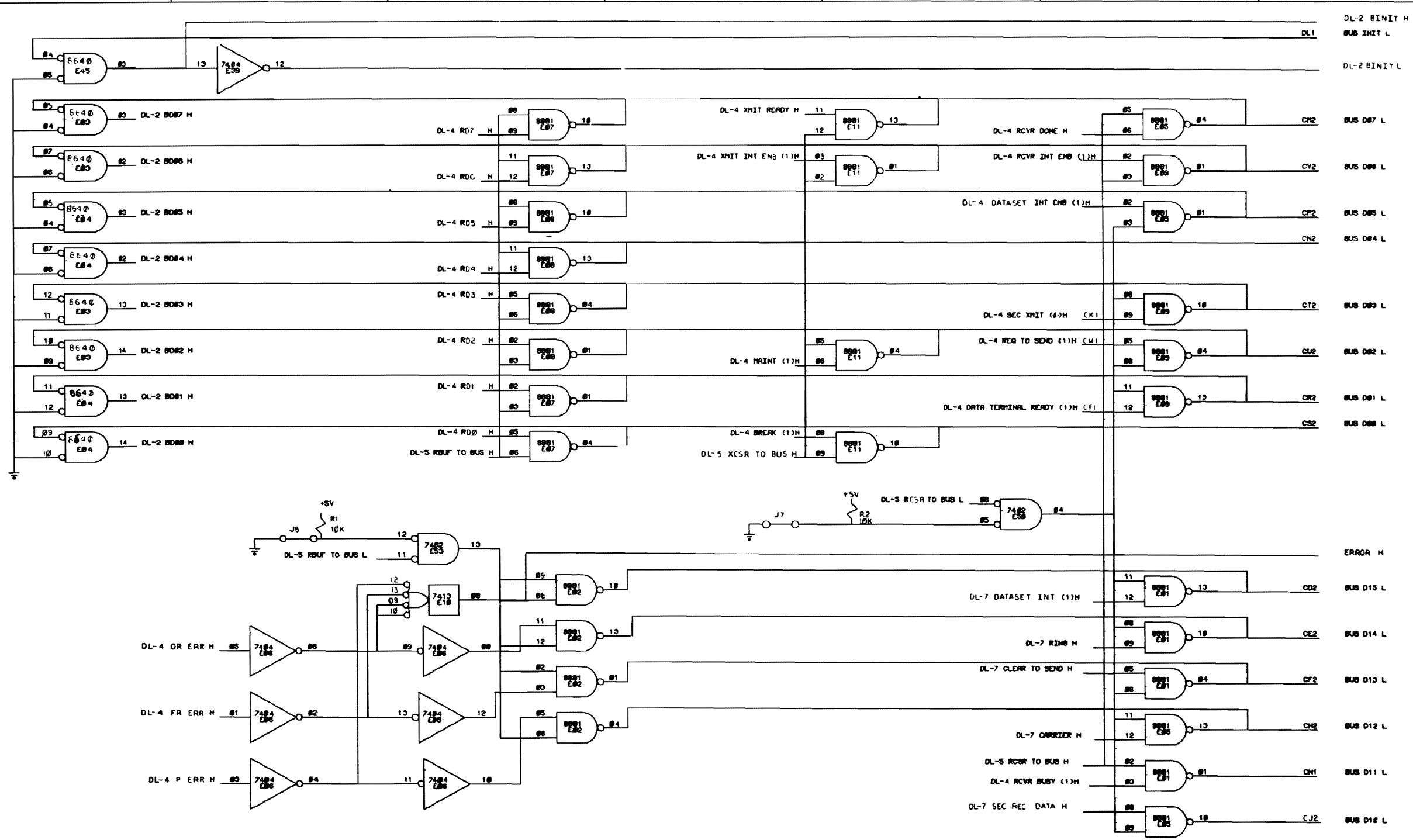
ASYNCHRONOUS LINE INTERFACE

EQUIPMENT CORPORATION

ASYNCHRONOUS LINE INTERFACE

EC8178000-0-1

This drawing and specifications are the property of Digital Equipment Corporation and shall not be reproduced or copied in whole or in part in any form for the manufacture of parts of items without written permission. © 1975 DIGITAL EQUIP CORP



REVISIONS		
CHK.	CHANGE NO.	REV.

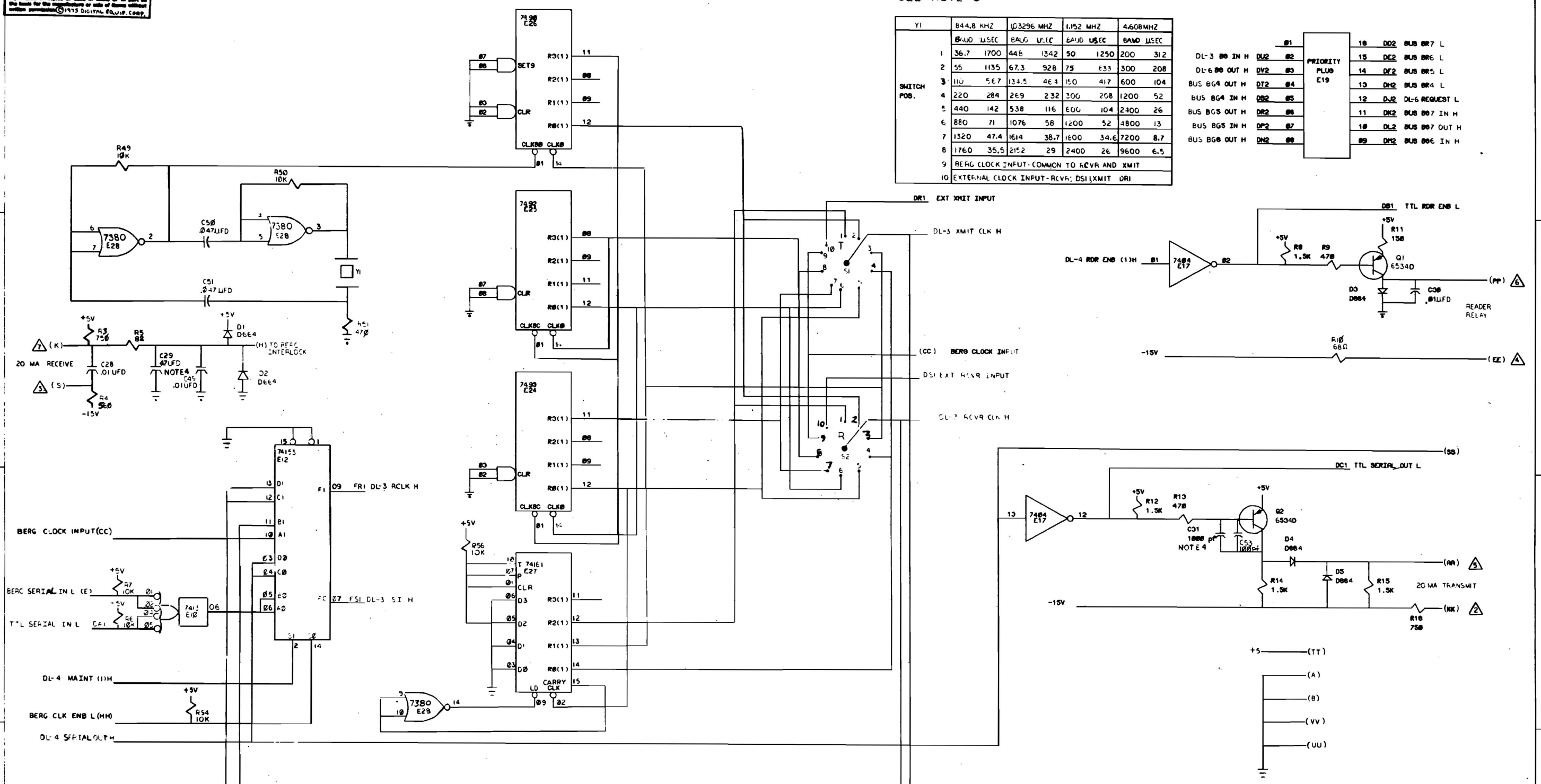
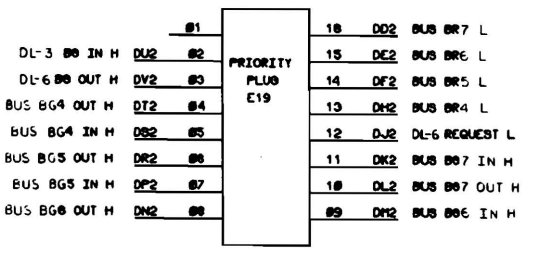
FIRST USED ON OPTION/MODEL	QTY.	DESCRIPTION	PART NO.	TYP. NO.
DL11				
UNLESS OTHERWISE SPECIFIED DIMENSION IN INCHES				
TOLERANCES				
DECIMALS	ANGLES	DATE 3-20-72		
.XX - .005	20° 30'	CHK'D	DATE 4-5-72	 DIGITAL EQUIPMENT CORPORATION <small>MEMBER OF DIGITAL CORPORATION</small>
.XX - .02		DATE 4-5-72		
.X - .1		DATE 4-5-72		
		DATE 4-5-72		
REMOVE BURRS AND BREAK SHARP CORNERS SURFACE QUALITY				
MATERIAL				
NEXT HIGHER ASSY.				
FINISH				
SCALE				
SHEET				
TITLE			NUMBER	REV.
ASYNCHRONOUS LINE INTERFACE (BUS RECEIVERS & DRIVERS) DL-2			DCS M7800-0-1	R

MR

The drawing and specifications herein are the property of Digital Equipment Corporation and shall not be reproduced or used in whole or in part on the basis of the manufacturer or sale of these without written permission © 1973 Digital Equip. Corp.

SEE NOTE 3

Y1	844.8 KHZ	103296 MHZ	1.152 MHZ	4.608MHZ
	BAUD USEC	BAUD USEC	BAUD USEC	BAUD USEC
1	36.7 1700	44.8 1342	50 1250	200 312
2	55 1135	67.3 928	75 633	300 208
3	110 567	134.5 463	150 417	600 104
4	220 284	269 232	300 208	1200 52
5	440 142	538 116	600 104	2400 26
6	880 71	1076 58	1200 52	4800 13
7	1320 47.4	1614 38.7	1800 34.6	7200 8.7
8	1760 35.5	2152 29	2400 26	9600 6.5
9	BERG CLOCK INPUT - COMMON TO RCVR AND XMIT			
10	EXTERNAL CLOCK INPUT - RCVR: DSI XMIT: DRI			

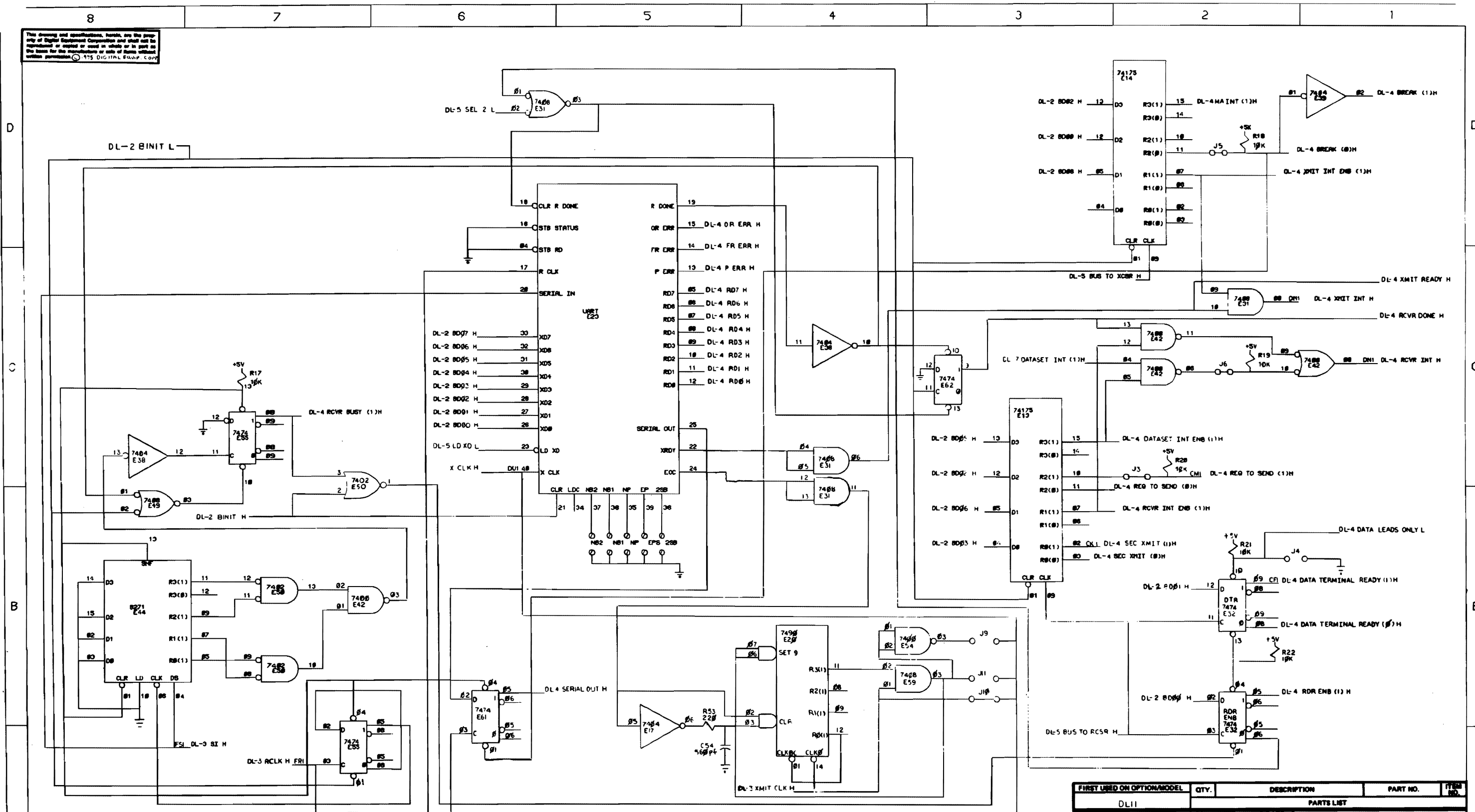


REVISIONS		
CHK.	CHANGE NO.	REV.

NOTES:
 1. LETTERS ENCLOSED IN PARENTHESIS REFER TO PINS ON THE BERG CONNECTOR, EXAMPLF: (X)
 2. NUMBERS WITHIN TRIANGLES REFER TO PINS ON THE FEMALE MATE-N-LOCK CONNECTOR WHEN USING THE 700B360 CABLE, THIS CABLE ALSO CONNECTS BERG PINS H TO E.
 3. ALTHOUGH THE ABOVE TABLE INCLUDES ONLY THE STANDARD DL11 CRYSTALS OTHER VALUES MAY BE SPECIFIED BY THE CUSTOMER OR BY OTHER DOCUMENTATION OF AN OPTION WHICH USES THE DL11.
 4. C29 AND C31 ARE REQUIRED ONLY FOR 20MA OPERATION AT 150 BAUD OR LESS, DL11-A OR C.

FIRST USED ON OPTION/MODEL	QTY.	DESCRIPTION	PART NO.	ITEM NO.
DL11		PARTS LIST		
UNLESS OTHERWISE SPECIFIED DIMENSION IN INCHES TOLERANCES	DRN. B.F.	DATE 2-20-73		
DECIMALS ANGLES	CHK'D.	DATE 4-5-72		
.XXX - .005 .XX - .02 .X - .1	ENG.	DATE 4/17/72		
	PROB. ENG.	DATE 5-27-72		
REMOVE BURRS AND BREAK SHARP CORNERS SURFACE QUALITY	PROD.	DATE 4-17-72	TITLE ASYNCHRONOUS LINE INTERFACE (CLOCK & CURRENT LOOPS) DL-3	
MATERIAL	NEXT HIGHER ASSY.		SIZE CODE	NUMBER
FINISH	SCALE		D CS	M7800-0-1
	SHEET 3 OF 7		DIST.	REV. R

This drawing and specifications, herein, are the property of Digital Equipment Corporation and shall not be reproduced or copied or used in whole or in part in any form for the manufacture or sale of parts without written permission of Digital Equipment Corp.

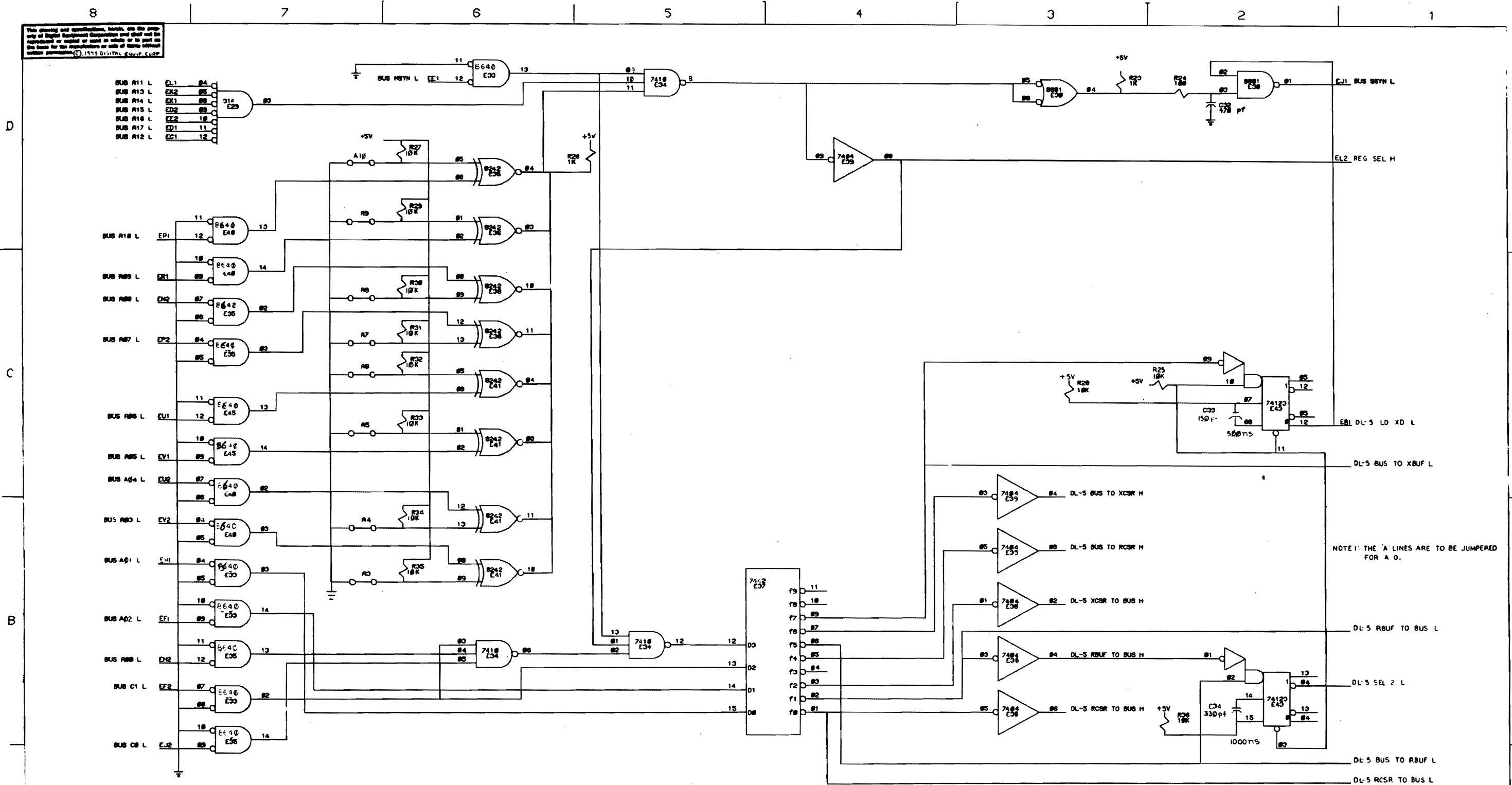


REVISIONS	
CHK.	REV.

FIRST USED ON OPTION/MODEL	QTY.	DESCRIPTION	PART NO.	ITEM NO.
DL11				
UNLESS OTHERWISE SPECIFIED DIMENSION IN INCHES TOLERANCES	DRAWN B. P. ...	DATE 3-2-72	digital EQUIPMENT CORPORATION <small>MILWAUKEE, WISCONSIN 53211</small>	
DECIMALS	CHK'D 4-2-72	DATE 4-11-72		
.XXX - .000	ENG.	DATE 4-14-72	TITLE ASYNCHRONOUS LINE INTERFACE (UART & STATUS) DL-4	
.XX - .00	PROG. ENG.	DATE 4-27-72		
.X - .0	PROD. ENG.	DATE 4-27-72	DL-4 NUMBER M7800-0-1	
REMOVE BURRS AND BREAK SHARP CORNERS SURFACE QUALITY				
MATERIAL	NEXT HIGHER ASBY.			
FINISH				
	SCALE			
	SHEET 4 OF			

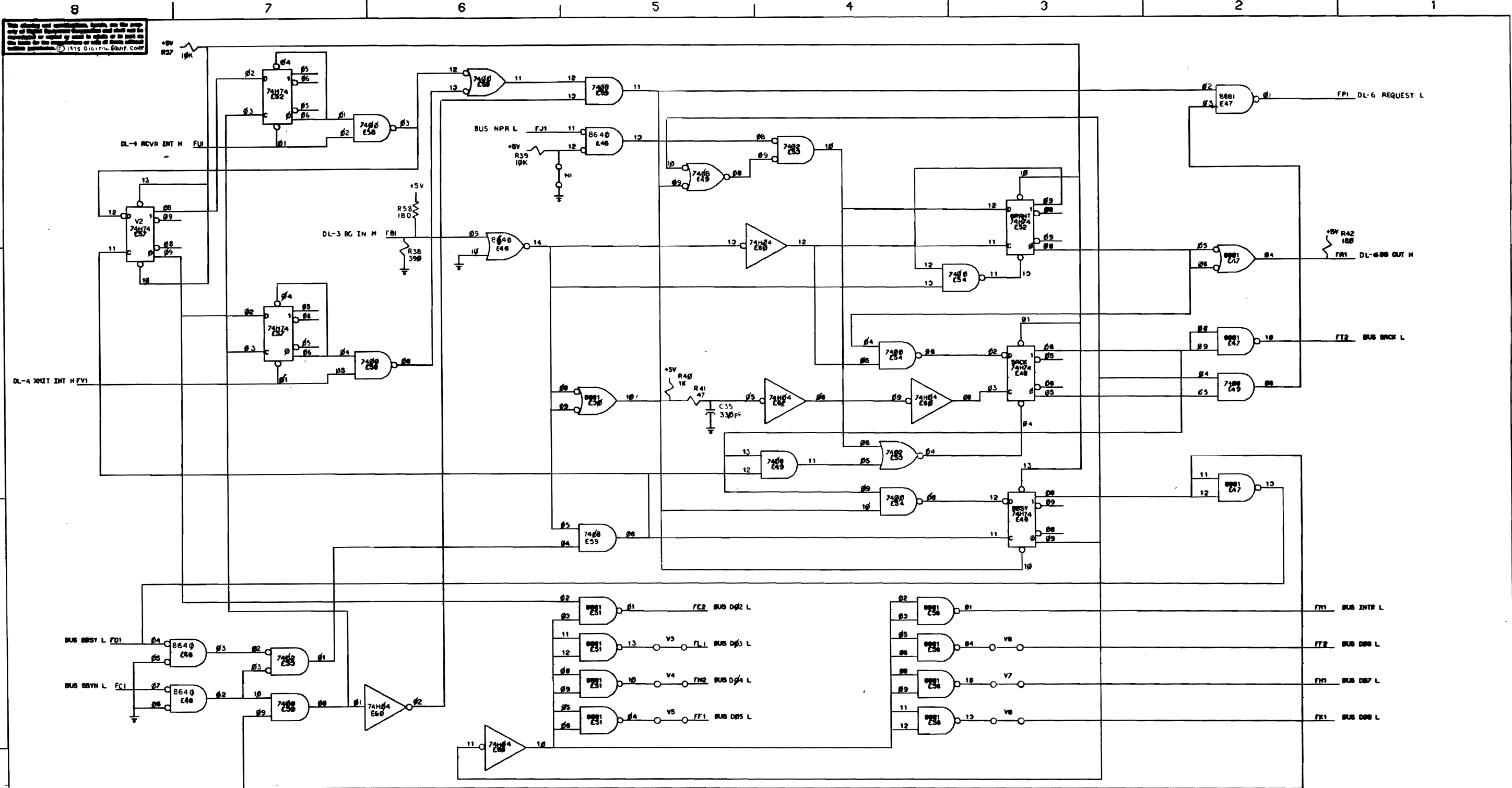
Mr.

This drawing and specifications, herein, are the property of Digital Equipment Corporation and shall not be reproduced or copied or used in whole or in part in any manner without the express written permission of Digital Equipment Corporation. © 1975 Digital Equipment Corp.



REVISIONS		
CHK.	CHANGE NO.	REV.

FIRST USED ON OPTION/MODEL	QTY.	DESCRIPTION	PART NO.	ITEM NO.
DL11		PARTS LIST		
UNLESS OTHERWISE SPECIFIED DIMENSION IN INCHES	DRN. B. P. Au.	DATE 3-26-75	DIGITAL EQUIPMENT CORPORATION TITLE ASYNCHRONOUS LINE INTERFACE (ADDRESS SELECTION) DL-5	
TOLERANCES	CHK'D.	DATE 4-2-75		
DECIMALS	ANGLES	DATE 4-27-75		
.XXX - .000	±0° 30'	DATE 4-27-75	DCS M7800-0-1	
.XX - .00			R	
.X - .1			SHEET 5 OF 7	
REMOVE BURRS AND BREAK SHARP CORNERS SURFACE QUALITY	PROD. M. M.	DATE 4-27-75	DST.	
MATERIAL	NEXT HIGHER ASSY.	SCALE		
FINISH				

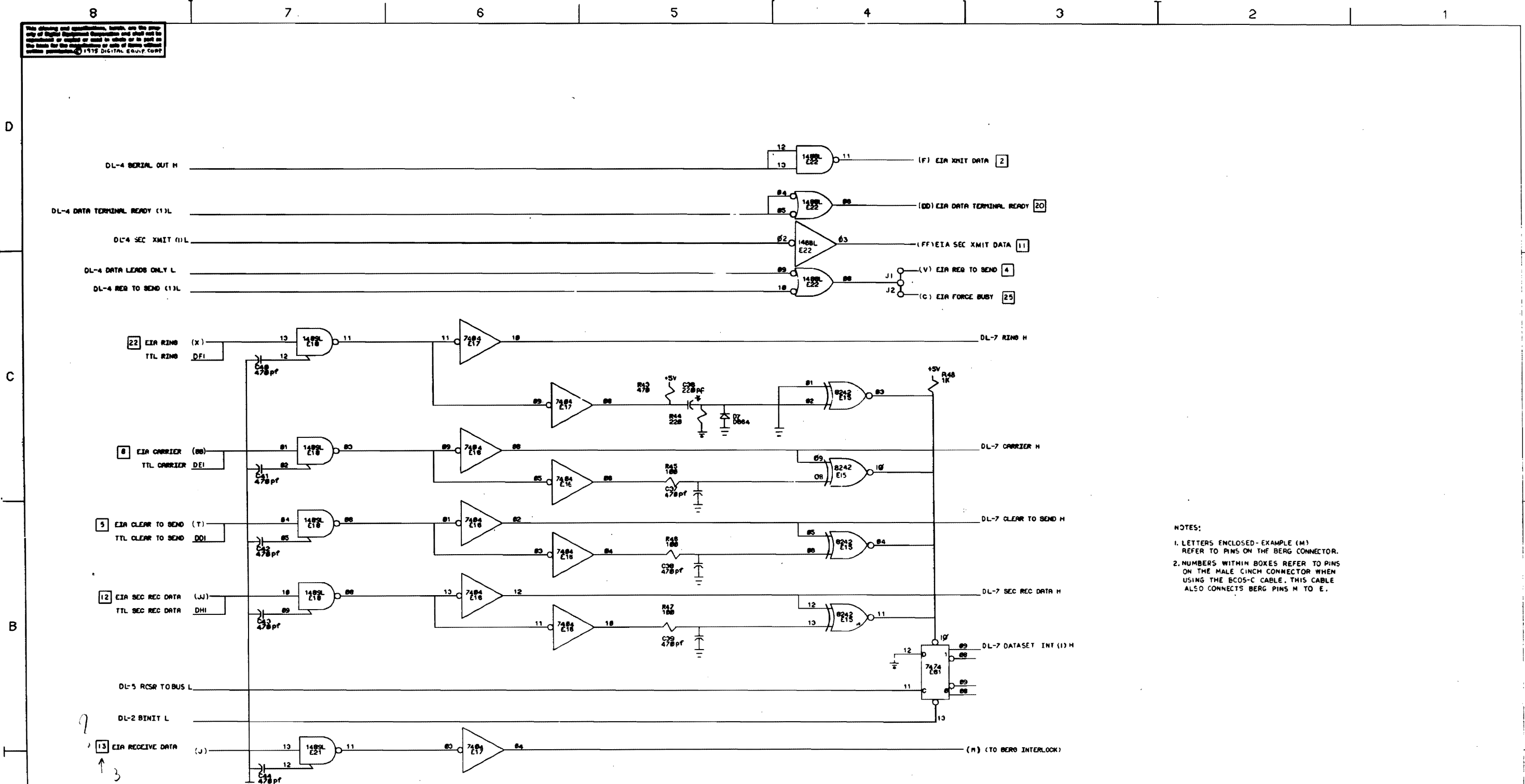


NOTE: THE 'V' LINES ARE TO BE JUMPED FOR A I.

REVISIONS		
CHR.	CHANGE NO.	REV.

FIRST USED ON OPTION/MODEL	QTY.	DESCRIPTION	PART NO.	ITEM NO.
DL11				
PARTS LIST				
UNLESS OTHERWISE SPECIFIED DIMENSION IN INCHES TOLERANCES		DATE 3-7-72		
		DATE 7-6-72		
DECIMALS	ANGLES	DATE 4-27-72	TITLE ASYNCHRONOUS LINE INTERFACE (INTERRUPT CONTROL) DL-6	
.XXX - .005 .XX - .002 .X - .001	± 0° 30'	DATE 7-7-72		
REMOVE BURRS AND BREAK SHARP CORNERS SURFACE QUALITY		DATE 8-19-72		
MATERIAL	FINISH	SCALE	DIST.	
++	++	++	D CS M7800-0-1	R

This drawing and specifications herein are the property of Digital Equipment Corporation and shall not be reproduced or copied in whole or in part, or the name for the manufacture or sale of items without written permission. © 1975 DIGITAL EQUIP. CORP.



NOTES:
 1. LETTERS ENCLOSED- EXAMPLE (M) REFER TO PINS ON THE BERG CONNECTOR.
 2. NUMBERS WITHIN BOXES REFER TO PINS ON THE MALE CINCH CONNECTOR WHEN USING THE BC05-C CABLE. THIS CABLE ALSO CONNECTS BERG PINS M TO E.

* FOR YC VERSION, C31 VALUE CHANGES TO 1200PF

REVISIONS		
CHK.	CHANGE NO.	REV.

FIRST USED ON OPTION/MODEL	QTY.	DESCRIPTION	PART NO.	ITEM NO.
DL11				
PARTS LIST				
UNLESS OTHERWISE SPECIFIED DIMENSION IN INCHES TOLERANCES		DRN. 8 P. J. DATE 5-2-75	DATE 9-2-75	
DECIMALS ANGLES		CHK'D. DATE 9-2-75	DATE 9-2-75	
.XXX - .008 .XX - .02 .X - .1		ENG. DATE 4-27-75	DATE 4-27-75	
REMOVE BURRS AND BREAK SHARP CORNERS SURFACE QUALITY		PROJ. ENG. DATE 4-27-75	DATE 4-27-75	
MATERIAL		PRD. DATE 4-27-75	DATE 4-27-75	
FINISH		NEXT HIGHER ASSY.	DATE 4-27-75	
		SCALE	DATE 4-27-75	
		SHEET 7 OF 7	DATE 4-27-75	
		TITLE ASYNCHRONOUS LINE INTERFACE (EIA DRIVERS & RECEIVERS) DL-7		
		D CS M7800-0-1		
		REV R		

LINE	ITEM	DOCUMENT NO.	PART NO.	DESCRIPTION	QTY	REFERENCE DESIGNATORS
1	1	K-C8-M7800-0-4		X-Y COORDINATE HOLE LOCATION	REF	
2	2	D-A4-M7800-0-5		ASSY/DRILLING HOLE LAYOUT	REF	
3	3	R-M8-M7800-0-0		MODULE ECO HISTORY	REF	
4	4		5009978-00	M7800 H	1	
5	5		9008337-06	HANDLE, FLIP CHIP, MAGENTA	4	
6	6		9006732-00	EYELET, ROLLED FLANGE, .121 OD X .219 LG	8	
7	7		9006735-00	EYELET, FUNNEL FLANGE, .059 OD X .187 LG	10	
8	8	"BLANK"			0	
9	9		1210042-01	SW, ROT 1P 10POS	2	S1, S2
10	10		1209838-00	SOCKET 16PIN	1	E19
11	11		5303154-00	R405-2026 BRKT	1	
12	12		5302825-00	R405-2024 BRKT	1	
13	13		1910651-00	DEC 74175 FF-D QUAD	2	E13, E14
14	14		1909615-00	DEC 8271 SHIFT REG., 4BIT PARALLEL IN/OUT	1	E44
15	15		1910046-00	7442 DECODER-1 OF 10, ACD SELECTED	1	E37
16	16		1909704-00	DEC 314A NOR GATE-SINGLE 7IN, UTILOGIC	1	E29
17	17		1905576-00	7410 NAND GATE-TRIPLE 3IN	1	E34
18	18		1909054-00	7493 COUNTER, ASYNCH UP, BINARY	1	E24
19	19		1909686-00	7404 INVERTER GATE-HEX 1IN	4	E6, E16, E38, E39
20	20		1909053-00	7492 COUNTER, ASYNCH UP, DIVIDE BY 1	1	E25
21	21		1909931-00	DEC 74H04 INVERTER GATE-HEX 1IN	1	E60
22	22		1909937-00	74153 MUX 1 OF 4 (DUAL)	1	E12
23	23		1911469-00	DEC 8640 RECEIVER, BUS, QUAD, UNIBUS, 0-BU	7	E3, E4, E33, E35, E40, E45, E46
24	24		1909004-00	DEC 7402 NOR GATE-QUAD 2IN	2	E50, E53
25	25		1909989-00	DEC 7413 NAND GATE-DUAL 4IN SCHMITT TRI	1	E10
26	26		1905575-00	7400 NAND GATE-QUAD 2IN	3	E42, E54, E58
27	27		1909667-00	74H74 FF-D DUAL, EDGE TRIGGER, 35MHZ	3	E48, E52, E57
28	28		1910436-00	DEC 74123 ONE SHOT-DUAL, RETRIGGERABLE	1	E43
29	29		1910322-00	DEC 1488L DRIVER, LINE, QUAD, EIA RS-232C	1	E22
30	30		1909705-00	DEC 8381 NAND GATE-QUAD 2IN OPN COLL	11	E1, E2, E5, E7-E9, E11, E30, E47,

REVISION HISTORY			VARIATIONS FOR THIS ASSY.			DIGITAL EQUIPMENT CORPORATION MAYNARD, MASSACHUSETTS			
CHK	ECO NO	REV	DESCRIPTION	FIRST USED ON:	DATE:	TITLE	SIZE/CODF	DOCUMENT NUMBER	REV
JF	00013	R	00, YC	M7800	28-FEB-72	PARTS LIST		M7800-0-DRP	R
				M. PIERCE	19-APR-72	ASYNCHRONOUS LINE INTERFACE			
				J. FERGUSON	27-APR-72				
				I. CONDON					
				J. MC INTYRE	27-APR-72				
				R. HARRINGTON	19-OCT-78				
						ASSY. NO.:		E-C8-M7800-0-1	5

"THIS DRAWING AND SPECIFICATIONS HEREIN, ARE THE PROPERTY OF DIGITAL EQUIPMENT CORPORATION AND SHALL NOT BE REPRODUCED OR COPIED OR USED IN WHOLE OR IN PART AS THE BASIS FOR THE MANUFACTURE OR SALE OF ITEMS WITHOUT WRITTEN PERMISSION. COPYRIGHT 1978, DIGITAL EQUIPMENT CORPORATION"

LINE ITEM	DOCUMENT NO.	PART NO.	DESCRIPTION	QTY	REFERENCE DESIGNATORS
31	31	1909051-00	7490 COUNTER, ASYNCH UP, DECADE	CONT 2	E51, E56 E20, E26
32	32	"BLANK"		0	
33	33	1910155-00	DEC 7408 AND GATE, POS. QUAD 2IN 14	3	E31, E49, E59
34	34	1909712-00	DEC 8242 COMPARATOR-4BIT N, OPN COLL.	3	E15, E36, E41
35	35	1905547-00	DEC 7474 FF-D DUAL, EDGE TRIGGER, 15MHZ	4	E32, E55, E61, E62
36	36	2114137-50	UAPT MOS P-OR N-CHANNEL 8	1	E23
37	37	1300391-00	1.5 K 1/4W 5% CC (13-00)	2	R8, R12
38	38	1300479-00	10 K 1/4W 5% CC (13-00)	27	R1, R2, R6, R7, R17-R22, R25, CONT R27-R37, R39, R49, R50, R54, R56
39	39	1302385-00	750 1W 5% CC (13-00)	1	R16
40	40	1301401-00	750 1/4W 5% CC (13-00)	1	R3
41	41	1300338-00	560 1/2W 5% CC (13-00)	1	R4
42	42	1300316-00	470 1/4W 5% CC (13-00)	4	R9, R13, R43, R51
43	43	1300309-00	390 1/4W 5% CC (13-00)	1	R38
44	44	1300271-00	220 1/4W 5% CC (13-00)	2	R44, R53
45	45	1301322-00	180 1/4W 5% CC (13-00)	2	R42, R58
46	46	1300250-00	150 1/4W 5% CC (13-00)	1	R11
47	47	1300229-00	100 1/4W 5% CC (13-00)	4	R24, R45-R47
48	48	1301477-00	82 1/4W 5% CC (13-00)	1	R5
49	49	1309405-00	68 1/2W 5% CC (13-00)	1	R10
50	50	1300202-00	47 1/4W 5% CC (13-00)	1	R41
51	51	1300365-00	1 K 1/4W 5% CC (13-00)	6	R23, R26, R40, R48, R52, R55
52	52	1300394-00	1.5 K 1/2W 5% CC (13-00)	2	R14, R15
53	53	1000019-00	150.0 MMF 100V 5%200PPM DM15S (10-00)	1	C33
54	54	1005306-00	6.0MFD 35V 10% S.TANT (10-00)	6	C22-C27
55	55	1005965-00	.47 MFD 35V 10% 150D S.TA (10-00)	1	C29
56	56	1001610-01	.01 MFD 100V -20+80 ZSU DISC 8000PF MIN (10-00)	30	C1-C21, C28, C30, C45-C49, C52, C55
57	57	1000042-00	1000.0 MMF 100V 5%200PPM DM15S (10-00)	1	C31
58	58	1000024-00	470.0 MMF 100V 5%200PPM DM15S (10-00)	9	C32, C37-C44
59	59	1000023-00	330.0 MMF 100V 5%200PPM DM15S (10-00)	2	C34, C35
60	60	1000021-00	220.0 MMF 100V 5%200PPM DM15S (10-00)	1	C36
61	61	1009678-00	.047 MFD 16V -20+80 Y5T DISC (10-00)	2	C50, C51
62	62	1000025-00	560.0 MMF 100V 5%200PPM DM15S (10-00)	1	C54
63	63	1000016-00	100.0 MMF 100V 5%200PPM DM15S (10-00)	1	C53
64	64	1503409-00	DEC65340 PNP 310MW SI 40 90	2	Q1, Q2
65	65	1104860-00	1N 746A VZ= 3.3 5%	1	D6
66	66	1100114-00	D 664 QS\75PCB PIV= 25V SP	6	D1-D5, D7
67	67	1202812-00	INSULATOR AUGAT#8000PG1	2	
68	68	9006001-01	SCREW, PAN, PHIL, 2-56X 1/4 SS/PAS	3	
69	69	9006555-00	NUT, HEX, 2-56X3/16AF X 1/16 THK SS/	3	
70	70	1910650-00	74161 COUNTER, SYNCHR. UP	1	E27
71	71	9006631-00	WASHER, LOCK, INT, .1800D X .096ID X .031 THK	3	
72	72	1109502-00	1N 4742 VZ= 12.0 10% 1W Y	1	D8
73	73	1302336-00	39 1/2W 5% CC (13-00)	1	R57
74	74	9107560-01	WIRE, BUSS, 22AWG	A/R	
75	75	1002424-00	1200.0 MMF 100V 5%200PPM DM15S (10-00)	0	
76	76	9009185-00	JUMPER, WIRE, INSULATED, BLACK BAND	1	

TITLE	PARTS LIST	SIZE	CODE	DOCUMENT NUMBER	REV
DIGITAL EQUIPMENT CORPORATION MAYNARD, MASSACHUSETTS	ASYNCHRONOUS LINE INTERFACE	K	PL	N7000-0-DBP	R

LINE	ITEM	DOCUMENT NO.	PART NO.	DESCRIPTION	QTY	REFERENCE DESIGNATORS
77	77		1209941-02	HEADER 100 40POS RT ANGLE	1	
78	78		1209941-03	HEADER RT ANGLE LEFT LATCH FOR	1	
79	79		1209941-04	HEADER RT ANGLE, RIGHT LATCH FOR	1	
80	80		1910390-00	DEC 7380 NOR GATE-QUAD 2IN, FAST 380, UTI	1	E28
81	81		1913130-00	DEC 1489A RECEIVER, LINE, QUAD, EIA RS-232	2	E18, E21
82	82		1911324-00	7414 INVERTER, HEX 1IN SCHMITT TRIGG	1	E17
83	83		9105740-55	WIRE(WRAP)30AWG UL1423 (91-00 A/R		

DIGITAL EQUIPMENT CORPORATION MAYNARD, MASSACHUSETTS	TITLE	PARTS LIST	SIZE	CODE	DOCUMENT NUMBER	REV
	ASYNCHRONOUS LINE INTERFACE		K	PL	M7800-0-DBP	R

13

DRAWING NO.	NO. OF SHTS.	PART NO.	DESCRIPTION	REVISIONS																		
				E	F	H	J	K	A	B	C	H	J	K								
B-MH-M7856-0-6	2		SLU/RTC MODULE	E	F	H																
D-CS-M7856-0-1	8		SLU/RTC MODULE	H	J	K																
D-UA-M7856-0-0	2		SLU/RTC MODULE	H	J	K																
D-MD-5011464-0-0	3		SLU/RTC MODULE	E	E	F																
B-DD-M7856-0	1		SLU/RTC MODULE	A	B	C																
K-PL-M7856-0-0	3		SLU/RTC MODULE	H	J	K																
		5011464	ETCHED BOARD	E	E	F																
K-PC-M7856-0-DBG			PC DESIGN DATA BASE	E	E	F																
K-PL-M7856-0-DBP			P/L DATA BASE	H	J	K																
D-EC-5011464-0-0	3		ETCH CUT DRAWING	-	-	F																

NOTES:

REVISIONS	DATE	CHG NO.	REV.	A	B	C																
	2/28/78	000004	A																			
	4-50	000005	B																			
	10-80	000006	C																			

"THIS DRAWING AND SPECIFICATIONS, HEREIN, ARE THE PROPERTY OF DIGITAL EQUIPMENT CORPORATION AND SHALL NOT BE REPRODUCED OR COPIED OR USED IN WHOLE OR IN PART AS THE BASIS FOR THE MANUFACTURE OR SALE OF ITEMS WITHOUT WRITTEN PERMISSION.
 COPYRIGHT© 1978 DIGITAL EQUIPMENT CORPORATION

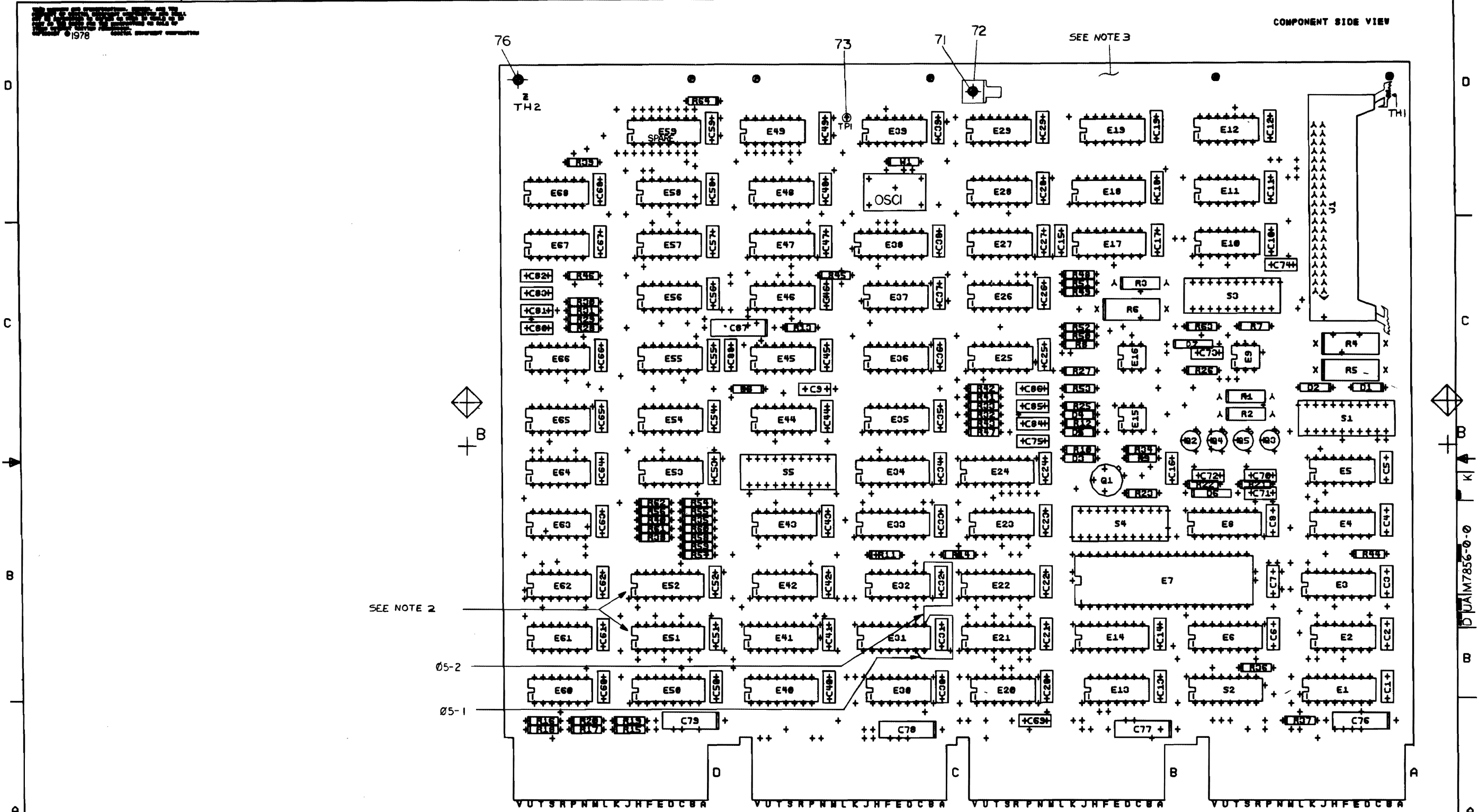


USED ON OPTION/MODEL

DRN.	Dem. D. Ingalls	2/27/78
CHK'D	Mr. P. P. ...	3-2-78
ENG.	Bob. P. ...	3-9-78
PROD.	CB	3-16-78

TITLE				SLU/RTC MODULE			
SIZE	CODE	NUMBER	REV.				
B	DD	M7856-0	C				
SHEET 1 OF 1							

COMPONENT SIDE VIEW



SEE NOTE 2

- NOTES:
1. 8 HOLES .0745 (+.000-.005) MINIMUM ONLY
 2. E51 AND E52 ARE ENGINEER OPTIONS. DO NOT INSERT
 3. DO NOT ASSEMBLE PLASTIC HANDLE ABOVE E19

CHANGE NO	REV	DATE	BY	CHK'D	APP'D
1786	0004	H	1/1/76		
1786	0005	J	1/1/76		
1786	0006	K	1/1/76		

HOLE DATA										
SYMBOL	+	A	X	+	Z	M	A	B	+	Z
FIN HOLE SIZE	.608	.642	.655	.650	.128					
PLATED	X	X	X	X	X					
NON PLATED										
QTY.	1063	46	6	1	5					
OFF GRO HLE					6					
DRILL SIZE										
.005 GRID UNLESS INDICATED										

BOARD FABRICATION INFORMATION	
PANEL SIZE	QUAD 8.5 X 11.75
PANEL DATA	DWG. 0
PANEL MAT'L	FL-EP-052-C 1/2
DEC. FS	- 1/16
BTY. OF LAYERS	2
PTH YES/PRINT AND ETCH	
SOLDER MASK	Y SIDE 2Y BOTH SIDES
GOLD CONTACTS	Y BOTTOM Y TOP

SIGNATURES		DATE
DRN.	David Doughty	2/6/76
CHK'D.		2/18/76
ENG.	John Smith	2-9-76
PROJ. ENG.	John Smith	2-9-76
PROD.	(1)	3-10-76
SCALE	2 + 1	
SHT.	1 OF 2	
NEXT HIGHER ASSY.		

digital		
TITLE DRILL AND ETCH DRAWING		
SIZE	CODE	NUMBER
D	UA	M7856-0-0
ETCH REV.	F-P1	

THIS DRAWING AND SPECIFICATIONS HEREIN ARE THE PROPERTY OF DIGITAL EQUIPMENT CORPORATION AND SHALL NOT BE REPRODUCED OR COPIED OR USED IN WHOLE OR IN PART AS THE BASIS FOR THE MANUFACTURE OR SALE OF ITEMS WITHOUT WRITTEN PERMISSION. COPYRIGHT © 1980 DIGITAL EQUIPMENT CORPORATION

DUA M7856-0-0 2

REWORK INSTRUCTIONS

ECC M7856-MK025
 REFER TO D-EC-5011464-0-0 FOR ETCH CUTS
WIRE ADDS (30 GAUGE WIRES):

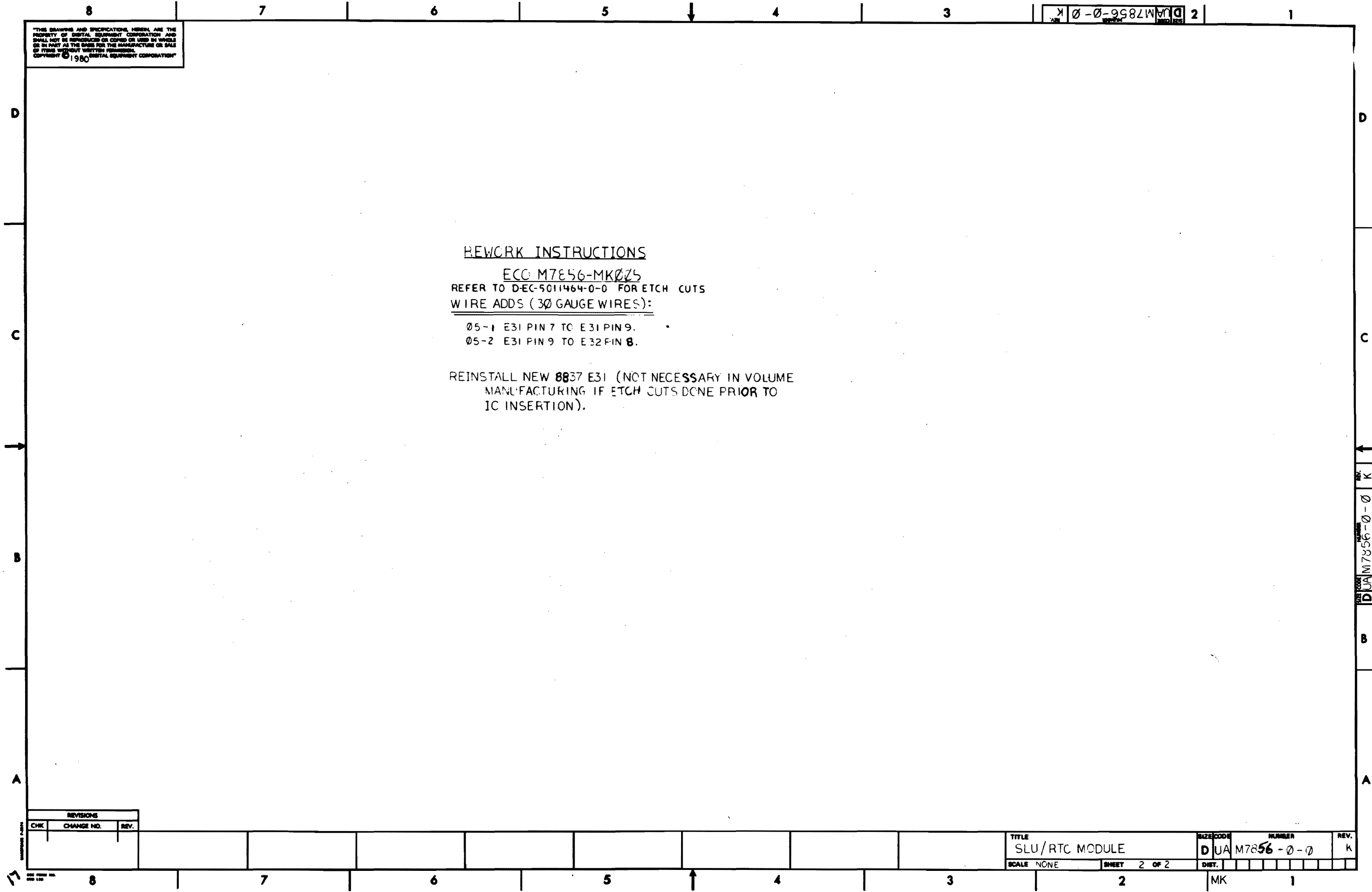
- 05-1 E31 PIN 7 TO E31 PIN 9.
- 05-2 E31 PIN 9 TO E32 PIN 8.

REINSTALL NEW 8837 E31 (NOT NECESSARY IN VOLUME MANUFACTURING IF ETCH CUTS DONE PRIOR TO IC INSERTION).

REVISIONS		
CHK	CHANGE NO.	REV.

TITLE	SCALE	SHEET	DIST.	DATE	REV.
SLU/RTC MODULE	NONE	2 OF 2			k

DUA M7856-0-0 K



LINE	ITEM	DOCUMENT NUMBER	PART NUMBER	DESCRIPTION	QTY PER VARIATION	00	REFERENCE DESIGNATOR
1	1		1001610-01	.01 MFD50/100V +90-20% DISC	67		C1-C8,C10-C15,C17-C68,C88
2	2		1000024-00	470.0 MMF 100V 5%200PPM MICA	7		C9,C69-C74
3	3		1000023-00	330.0 MMF 100V 5%200PPM MICA	1		C75
4	4		1000015-00	82.0 MMF 100V 5%200PPM MICA	6		C80-C85
5	5		1000019-00	150.0 MMF 100V 5%200PPM MICA	1		C86
6	6		1002627-00	2.2MFD 20V 10% S.TANT	1		C87
7	7		1005306-00	6.8MFD 35V 10% S.TANT	4		C76-C79
8	8		1001765-00	.005 MFD 100V 20% Z5T DISC	1		C16
9	9		1105796-00	1N 4004 PIV=400 I= 1A D041 SP	3		D1-D3
10	10		1109502-00	1N 4742 VZ= 12.0 10% 1W Y	1		D4
11	11		1105610-00	MCL1301 CL01MA FROM10-80V	2		D6,D7
12	12		1100114-00	D 664 QS\75FLB PIV= 25V SP	1		D8
13	13		1211164-06	SW,DIP 1P 1A 10POS	4		S1,S3,S4,S5
14	14		1211164-04	SW,DIP 1P 1A 8POS	1		S2
15	15		1209941-02	HEADER 100 40POS RT ANGLE	1		J1
16	16		1300295-00	330.0 .25 W 5.0 % CC	1		R63
17	17		1300260-00	180.0 .50 W 5.0 % CC	3		R1,R2,R3
18	18		1303048-00	560.0 1.0 W 5.0 % CC	3		R4-R6
19	19		1301327-00	68.0 K .25 W 5.0 % CC	2		R7,R8
20	20		1300197-00	33.0 .25 W 5.0 % CC	1		R9
21	21		1300539-00	120.0 K .25 W 5.0 % CC	1		R10
22	22		1301424-00	680.0 .25 W 5.0 % CC	1		R12
23	23		1300219-00	68.0 .25 W 5.0 % CC	1		R25
24	24		1300229-00	100.0 .25 W 5.0 % CC	2		R13,R14
25	25		1301322-00	180.0 .25 W 5.0 % CC	4		R15,R16,R17,R18
26	26		1300309-00	390.0 .25 W 5.0 % CC	4		R19-R22
27	27		1301422-00	7.50 K .25 W 5.0 % CC	1		R23
28	28		1300250-00	150.0 .25 W 5.0 % CC	2		R26,R27
29	29		1301972-00	270.0 .25 W 5.0 % CC	6		R28-R33
30	30		1300479-00	10.0 K .25 W 5.0 % CC	27		R35,R36,R37,R39-R62

REVISION HISTORY		BASIC PART NO: M7856		DRN:	J.THELLAN	DATE:	02-MAR-78	DIGITAL			
ENG	ECO NUMBER	REV	SECTION A OF A	CHK'D:	J.FERGUSON	DATE:	02-MAR-78	TITLE PARTS LIST			
RRH	MM005	J	SECTION VARIATION INDEX	DES.ENG:	R.B.PRATT <td>DATE:</td> <td>02-MAR-78 <td colspan="4">SLU/RTC OPTION</td> </td>	DATE:	02-MAR-78 <td colspan="4">SLU/RTC OPTION</td>	SLU/RTC OPTION			
RRH	MM006	K	[A] 00	RESP.ENG.:	R.HARRINGTON <td>DATE:</td> <td>16-APR-80 <td colspan="4">DOCUMENT NUMBER</td> </td>	DATE:	16-APR-80 <td colspan="4">DOCUMENT NUMBER</td>	DOCUMENT NUMBER			
			[B]	MFG.ENG.:	JUAN AVILES <td>DATE:</td> <td>16-APR-80</td> <td>SIZE</td> <td>CODE</td> <td>NUMBR</td> <td>REV</td>	DATE:	16-APR-80	SIZE	CODE	NUMBR	REV
			[C]	ASSEMBLY NUMBER:		TOP DOCUMENT NUMBER:		K	PL	M7856-0-0	K
			[D]	ID-UA-M7856-0-0		#B-DI-M7856-0				FILE NAME:	EDIT #
			[E]							MK0243.PLS	12
			[F]								
			[G]								
			[H]								
			[I]								
			[J]								
			[K]								
			[L]								
			[M]								
			[N]								

*THIS DRAWING AND SPECIFICATIONS HEREIN, ARE THE PROPERTY OF DIGITAL EQUIPMENT CORPORATION AND SHALL NOT BE REPRODUCED OR COPIED OR USED IN WHOLE OR IN PART AS THE BASIS FOR THE MANUFACTURE OR SALE OF ITEMS WITHOUT WRITTEN PERMISSION. COPYRIGHT (C) 1981. DIGITAL EQUIPMENT CORPORATION *

MK

LINE	ITFM	DOCUMENT NUMBER	PART NUMBER	DESCRIPTION	QTY PER VARIATION 00	REFERENCE DESIGNATOR
31	31		1300365-00	1.0 K .25 W 5.0 % CC	3	R11,R38,R64
32	32		1300271-00	220.0 .25 W 5.0 % CC	1	R34
33	33		1509338-00	DEC6531B NPN 310MW SI 40 90 P	1	Q1
34	34		1510705-00	XA 05 NPN 500MW SI 60 50 P	2	Q3,Q4
35	35		1510706-00	XA 55 PNP 500MW SI 60 50 P	2	Q2,Q5
36	36		1510727-01	OPTO COUPLED ISOLATOR	2	E9,E16
37	37		1811660-02	OSCILLATOR, XTAL 5.0688 MHZ	1	OSC1
38	38		1911998-00	4N26 OPTO COUPLED ISLTR	1	E15
39	39		1911579-00	8641 TRANSCEIVER,BUS,QUA	3	E1,E6,E14
40	40		1909705-00	DEC 8881 NAND GATE-QUAD 2IN 0	6	E2,E13,E20,E60,E61,E49
41	41		1911527-00	8097 BUFFER GATE-HEX 2INP	1	E3
42	42		1910155-00	DEC 7408 AND GATE,POS,QUAD 2I	3	E4,E44,E64
43	43		1905547-00	7474 FF-D DUAL,EDGE TRIGG	7	E5,E35,E37,E55,E57,E63,E68
44	44		1910459-01	UART,WSTRN DIG #TR1602A (1.5 STO	1	E7
45	45		1910651-00	DEC 74175 FF-D QUAD	1	E8
46	46		1910323-00	DEC 1489L RECEIVER,LINE,QUAD,	1	E10
47	47		1910322-00	DEC 1488L DRIVER,LINE,QUAD,EI	1	E11
48	48		1909936-00	74151 MUX 1 OF 8	2	E17,E18
49	49		1909053-00	7492 COUNTER,ASYNCH UP,D	1	E12
50	50		1909054-00	7493 COUNTER,ASYNCH UP,BI	5	E19,E26,E27,E28,E39
51	51		1909937-00	74153 MUX 1 OF 4 (DUAL)	1	E21
52	52		1910655-00	74157 MUX 2 TO 1 QUAD	2	E22,E38
53	53		1909004-00	DEC 7402 NOR GATE-QUAD 2IN	5	E23,E53,E58,E62,E36
54	54		1910436-00	DEC 74123 ONE SHOT-DUAL,RETRIG	1	E24
55	55		1910091-00	DEC 7437 AND GATE-QUAD 2IN,BU	1	E25
56	56		1910011-00	DEC 7486 X-OR GATE-QUAD 2INFU	1	E29
57	57		1909704-00	DEC 314A NOR GATE-SINGLE 7IN,	1	E30
58	58		1911116-00	DEC 8837 RECEIVER,BUS,HEX,UN	4	E31,E40,E41,E50
59	59		1905576-00	7410 NAND GATE-TRIPLE 3IN	1	E32
60	60		1909712-00	DEC 8242 COMPARATOR-4BIT N,	2	E42,E43
61	61		1911324-00	7414 INVERTER,HEX 1IN SCH	2	E45,E66
62	62		1905575-00	7400 NAND GATE-QUAD 2IN	4	E46,E54,E65,E67
63	63		1910035-00	DEC 74197 COUNTER,ASYNCH UP,H1	1	E47
64	64		1909486-00	DEC 384 OR GATE-QUAD 2IN,UTI	1	E48
65	65		1909686-00	7404 INVERTER GATE-HEX 1I	1	E56
66	66		23095A1-00	A1-07	1	E33
67	67		23094A1-00	A1-07	1	E34
68	68		9009185-00	JUMPER, WIRE, INSULATED, BLACK B	1	W1
69	69		9006732-00	EYELET, ROLLED FLANGE, .121 OD X	6	
70	70		9008337-06	HANDLE, FLIP CHIP, MAGENTA	3	
71	71		9009000-00	EYELET, ROLLED FLANGE, .121 OD X	1	
72	72		9007112-00	TERM QUICK 1POS ADAPTER	1	
73	73		9007791-00	TERM PCB 2POS SOLDER,TURRET	1	TP1
74	74		1104860-00	1N 746A VZ= 3.3 5%	1	D5
75	75		1209941-03	HEADER RT ANGLE LEFT L	1	
76	76		1209941-04	HEADER RT ANGLE,RIGHT	1	
77	77		9105740-55	WIRE(WRAP)30AWG UL1423	A/R	

! D ! I ! G ! I ! T ! A ! L !	! TITLE	! SECTION A OF A	! ! SIZE ! CODE !	! DOCUMENT NUMBER	! REV !
! ! ! ! ! ! ! !	! SLU/RTC OPTION	! ! ! ! ! ! ! !	! ! K ! PL !	! M7856-0-0	! K !

AUTOMATED BY PRTLST.1D(10)

PARTS LIST

SHEET A3 OF A3

LINE ITEM DOCUMENT NUMBER

PART NUMBER

DESCRIPTION

QTY PER VARIATION
00

REFERENCE DESIGNATOR

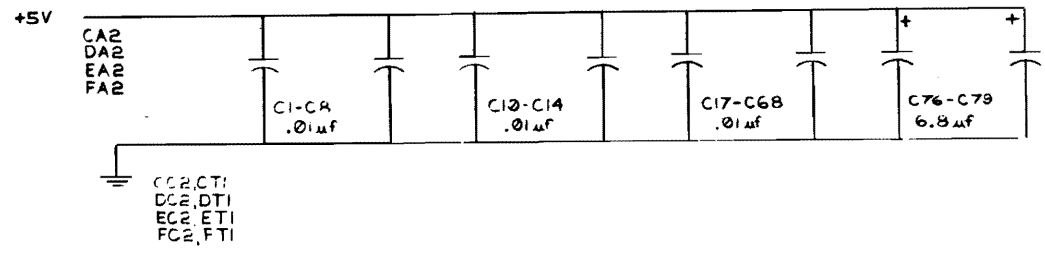
78 NOTE: 1001610-00 MAY BE USED IN PLACE OF 1001610-01

D	I	G	I	T	A	L	TITLE	SECTION A OF A	SIZE	CODE	DOCUMENT NUMBER	REV
							SLU/RTC OPTION		K	PL	M7856-0-0	K

MK
74

THIS DRAWING AND SPECIFICATIONS, WHICH ARE THE PROPERTY OF DIGITAL EQUIPMENT CORPORATION AND SHALL NOT BE REPRODUCED OR COPIED OR USED IN WHOLE OR IN PART AS THE BASIS FOR THE MANUFACTURE OR SALE OF ITEMS WITHOUT WRITTEN PERMISSION.
 COPYRIGHT © 1978 DIGITAL EQUIPMENT CORPORATION

NOTES:



IC 0641	8	16
IC 304	1	2
IC 344	8	16
IC 344	1	8
IC 74125	8	16
IC 74127	8	16
IC 74153	8	16
IC 7455	12	5
IC 7452	12	5
IC 74151	8	16
IC 74173	8	16
IC 3427	1	3
IC 3937	8	16
IC TYPE	GND	+5V

GND AND 5V ARE USUALLY PIN 7 AND 14 RESPECTIVELY EXCEPTIONS ARE STATED ABOVE

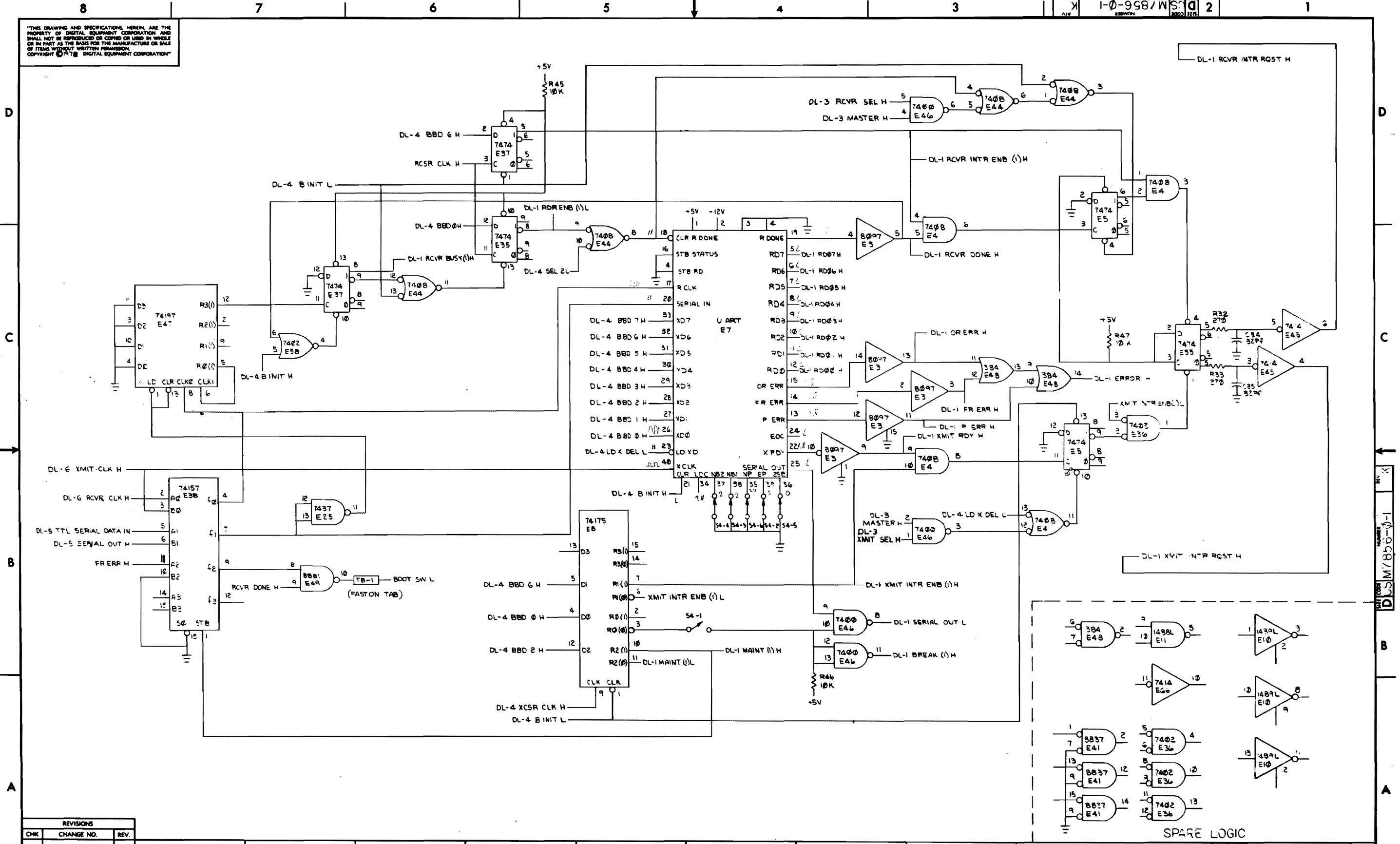
IC PIN LOCATIONS

FIRST USED ON OPTION MODEL		QTY	REF. DESIGNATION	DESCRIPTION	PART NO.	ITEM NO.
PARTS LIST						
ETCH BOARD REV.		E				
REV.		DRN: D. Douglas DATE: 2/23/78 CHWD: DATE: 3-5-78 ENG: DATE: 3-7-78 PROD. ENG: DATE: 3-7-78 PROD: DATE: 3-7-78				
REV.		K. HARRINGTON R. HARRINGTON B. CRAMM M7856-00004 M7856-00004				
DEC NO.		EIA NO.		DEC NO.		EIA NO.
SEMICONDUCTOR CONVERSION CHART						
SCALE		D CS M7856-0-1				
SHEET 1 OF 8		REV. K				

D
C
B
A
21

D
C
B
A
K
K
M7856-0-1

THIS DRAWING AND SPECIFICATIONS HEREIN ARE THE PROPERTY OF DIGITAL EQUIPMENT CORPORATION AND SHALL NOT BE REPRODUCED OR COPIED OR USED IN WHOLE OR IN PART AS THE BASIS FOR THE MANUFACTURE OR SALE OF ITEMS WITHOUT WRITTEN PERMISSION. COPYRIGHT © 1977 DIGITAL EQUIPMENT CORPORATION

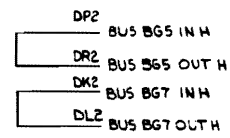
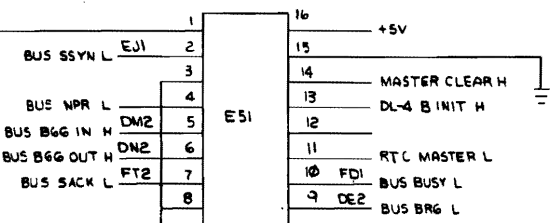


REVISIONS		
CHK	CHANGE NO.	REV.

DEC FORM NO. DND 138

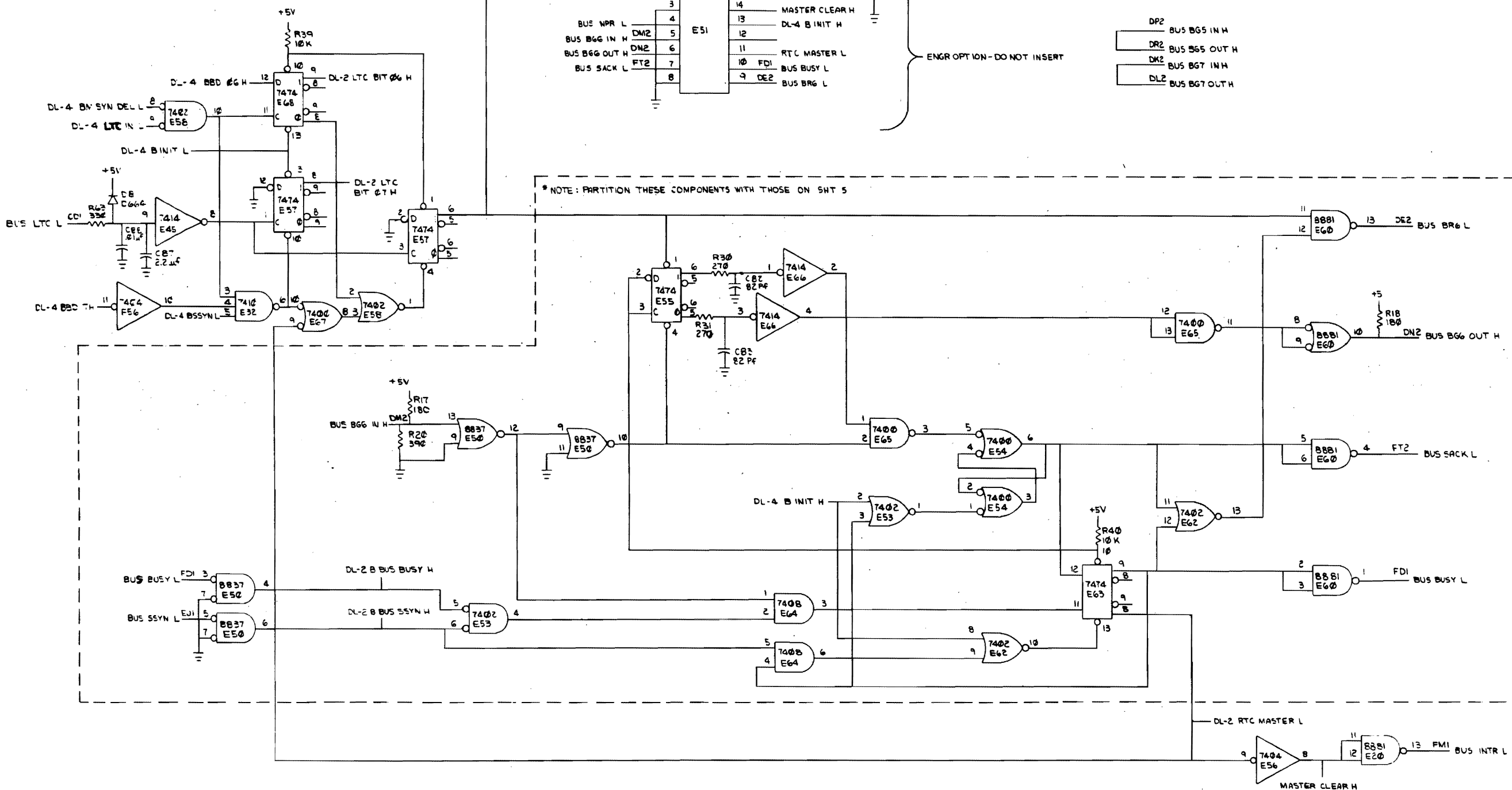
REV. K
 NUMBER: DCS M7856-1-1

THIS DRAWING AND SPECIFICATIONS HEREIN ARE THE PROPERTY OF DIGITAL EQUIPMENT CORPORATION AND SHALL NOT BE REPRODUCED OR COPIED OR USED IN WHOLE OR IN PART AS THE BASIS FOR THE MANUFACTURE OR SALE OF ITEMS WITHOUT WRITTEN PERMISSION. COPYRIGHT © 1971 DIGITAL EQUIPMENT CORPORATION



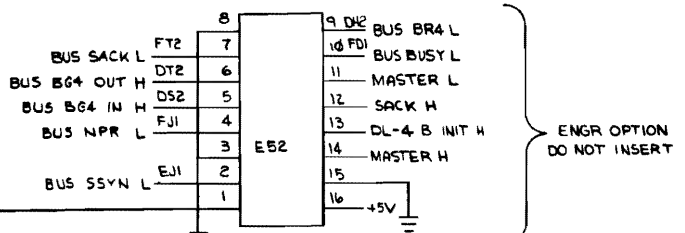
ENGR OPTION - DO NOT INSERT

* NOTE: PARTITION THESE COMPONENTS WITH THOSE ON SHT 5

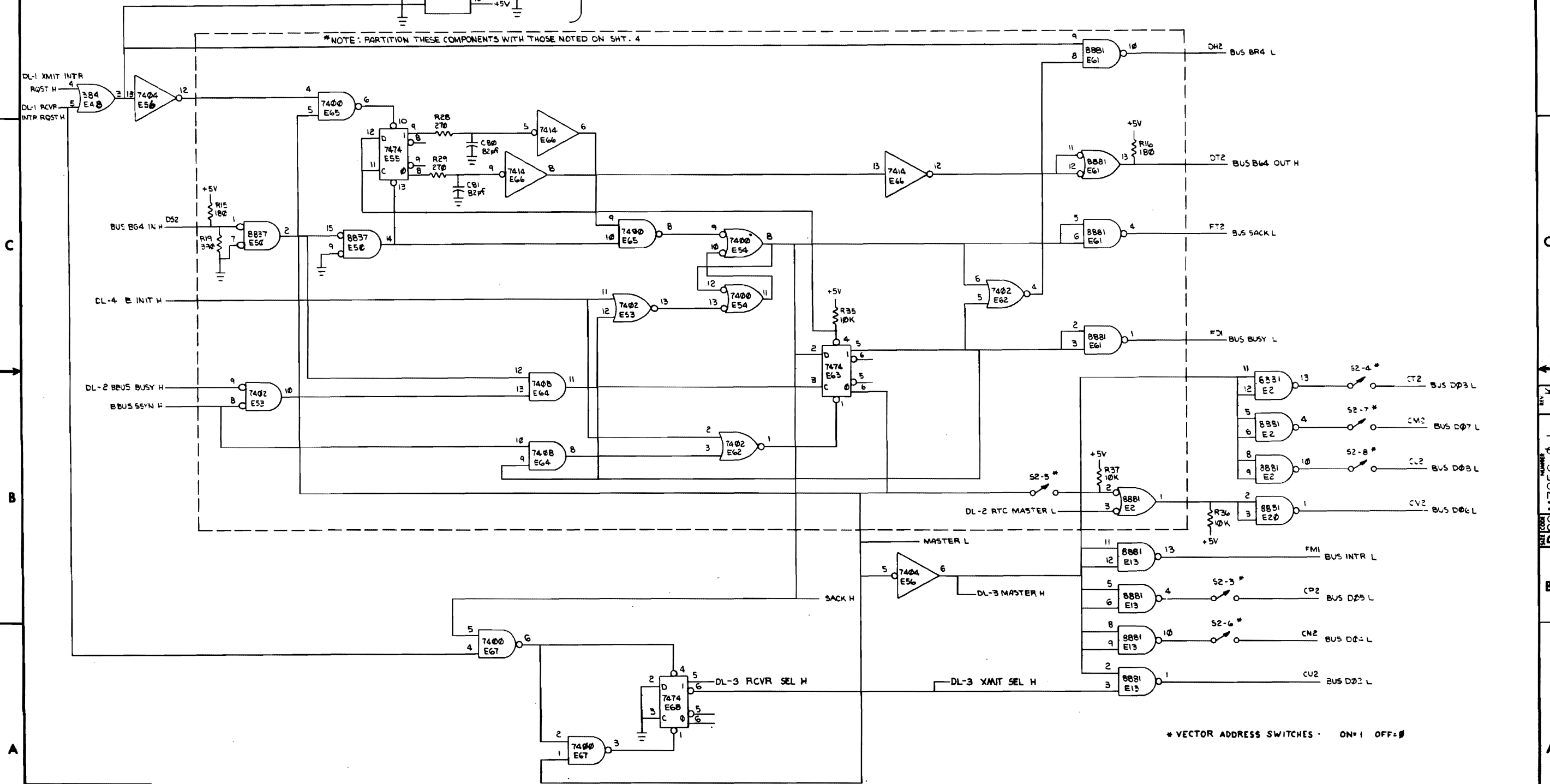


REVISIONS		
CHK	CHANGE NO	REV.

THIS DRAWING AND SPECIFICATIONS HEREIN ARE THE PROPERTY OF DIGITAL EQUIPMENT CORPORATION AND SHALL NOT BE REPRODUCED OR COPIED OR USED IN WHOLE OR IN PART AS THE BASIS FOR THE MANUFACTURE OR SALE OF ITEMS WITHOUT WRITTEN PERMISSION. COPYRIGHT © 1971 DIGITAL EQUIPMENT CORPORATION



*NOTE: PARTITION THESE COMPONENTS WITH THOSE NOTED ON SMT. 4



REVISIONS		
CHK	CHANGE NO.	REV.

DEC FORM NO. 010 130

DCS M7856-0-1

THIS DRAWING AND SPECIFICATIONS HEREIN ARE THE PROPERTY OF DIGITAL EQUIPMENT CORPORATION AND SHALL NOT BE REPRODUCED OR COPIED OR USED IN WHOLE OR IN PART AS THE BASIS FOR THE MANUFACTURE OR SALE OF ITEMS WITHOUT WRITTEN PERMISSION. COPYRIGHT © 1978 DIGITAL EQUIPMENT CORPORATION

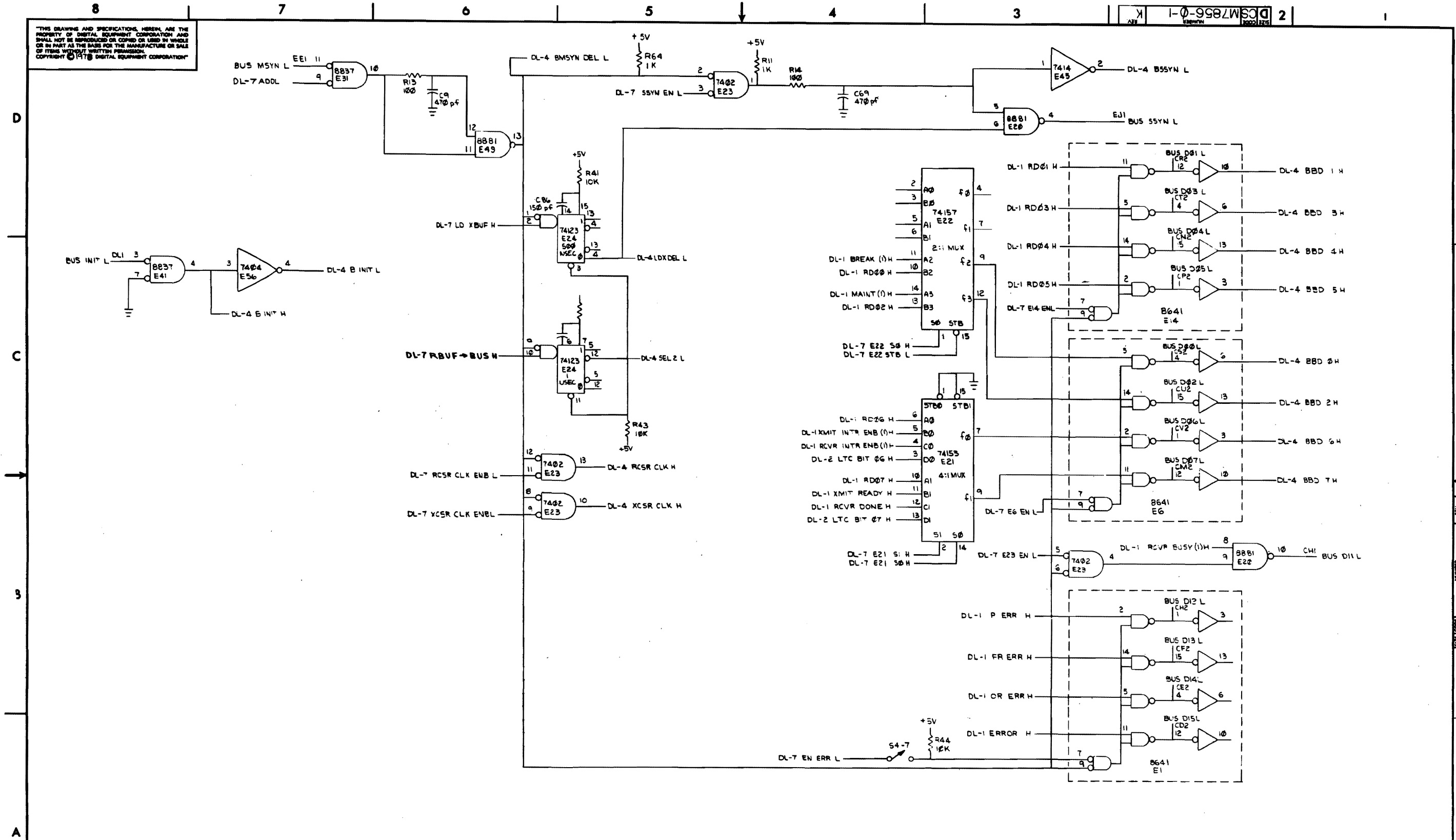
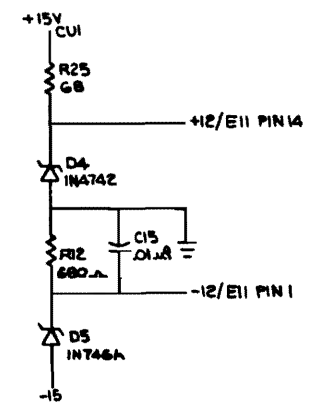
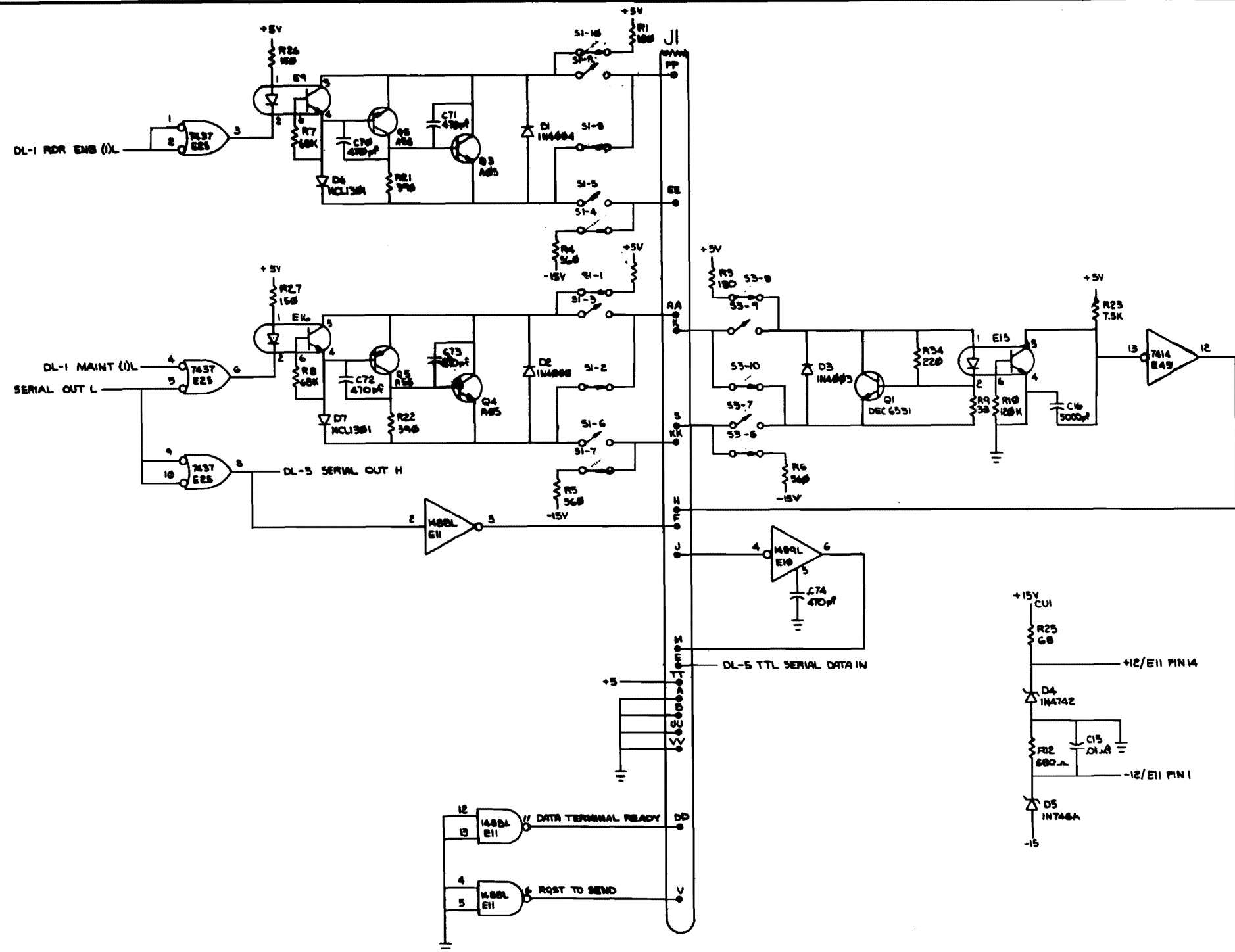


Table with columns: REVISIONS, CHK, CHANGE NO., REV.

THIS DRAWING AND SPECIFICATIONS HEREON ARE THE PROPERTY OF DIGITAL EQUIPMENT CORPORATION AND SHALL NOT BE REPRODUCED OR COPIED OR USED IN WHOLE OR IN PART AS THE BASIS FOR THE MANUFACTURE OR SALE OF ITEMS WITHOUT WRITTEN PERMISSION. COPYRIGHT © 1978 DIGITAL EQUIPMENT CORPORATION

NOTE:
1. SWITCHES ARE SHOWN IN ACTIVE MODE.
2. D7, D8 ARE MCL1301 1 MA CONSTANT CURRENT DIODES.

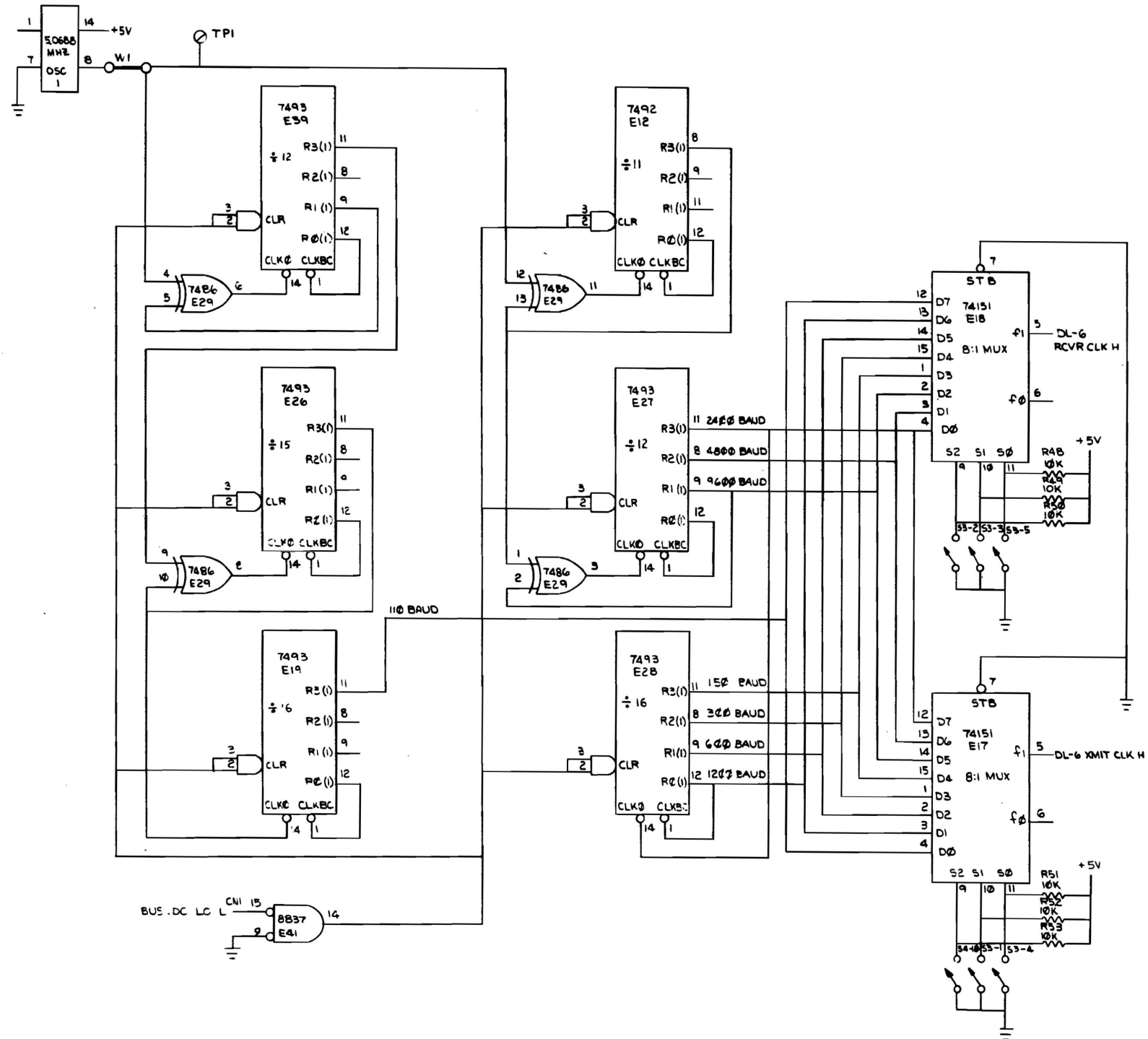


REVISIONS		
CHK	CHANGE NO.	REV.

DCS M7856-0-1 KE

THIS DRAWING AND SPECIFICATIONS HEREIN ARE THE PROPERTY OF DIGITAL EQUIPMENT CORPORATION AND SHALL NOT BE REPRODUCED OR COPIED OR USED IN WHOLE OR IN PART AS THE BASIS FOR THE MANUFACTURE OR SALE OF ITEMS WITHOUT WRITTEN PERMISSION. COPYRIGHT © 1978 DIGITAL EQUIPMENT CORPORATION

REV. K 1-0-9882WCS 2

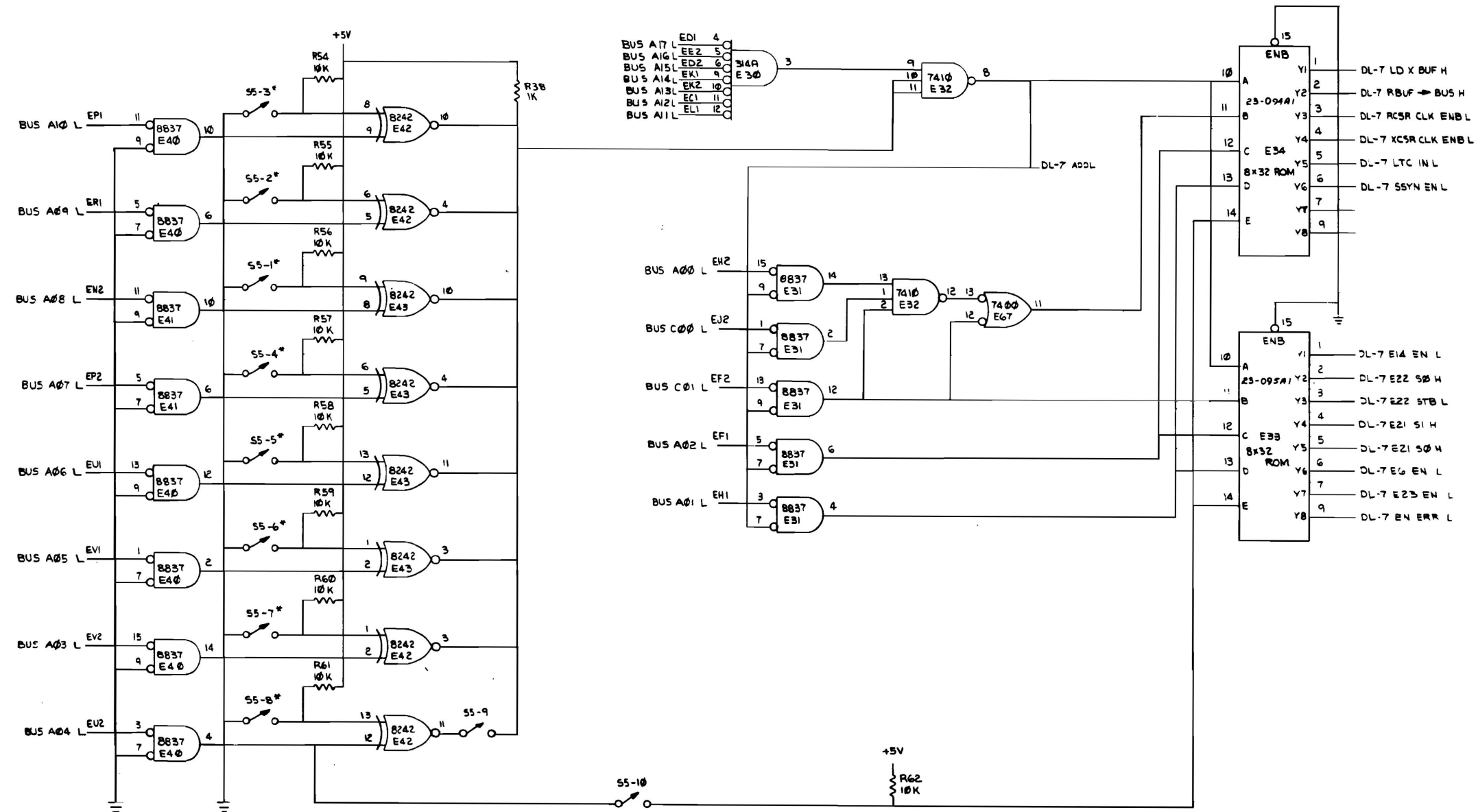


BAUD RATE	RCVR			XMIT		
	S3-2	S3-3	S3-5	S4-10	S3-1	S3-4
110	OFF	OFF	OFF	ON	ON	ON
150	ON	OFF	OFF	OFF	ON	ON
300	OFF	ON	ON	ON	OFF	OFF
600	OFF	ON	OFF	ON	ON	ON
1200	OFF	OFF	OFF	ON	ON	OFF
2400	ON	ON	ON	OFF	OFF	ON
4800	ON	ON	OFF	OFF	OFF	ON
9600	ON	OFF	ON	OFF	ON	OFF

REVISIONS		
CHK	CHANGE NO	REV.

TITLE SLU/RTC OPTION (DL-6) SIZE CODE D CS M7856-0-1 NUMBER K REV. K SCALE 1:1 SHEET 7 OF 8 DIST. 1

THIS DRAWING AND SPECIFICATIONS HEREIN ARE THE PROPERTY OF DIGITAL EQUIPMENT CORPORATION AND SHALL NOT BE REPRODUCED OR COPIED OR USED IN WHOLE OR IN PART AS THE BASIS FOR THE MANUFACTURE OR SALE OF ITEMS WITHOUT WRITTEN PERMISSION. COPYRIGHT © 1978 DIGITAL EQUIPMENT CORPORATION



* ADDRESS SELECTION SWITCHES - OFF = 1 ON = 0

REVISIONS		
CHK	CHANGE NO.	REV.