

digital

H960-C

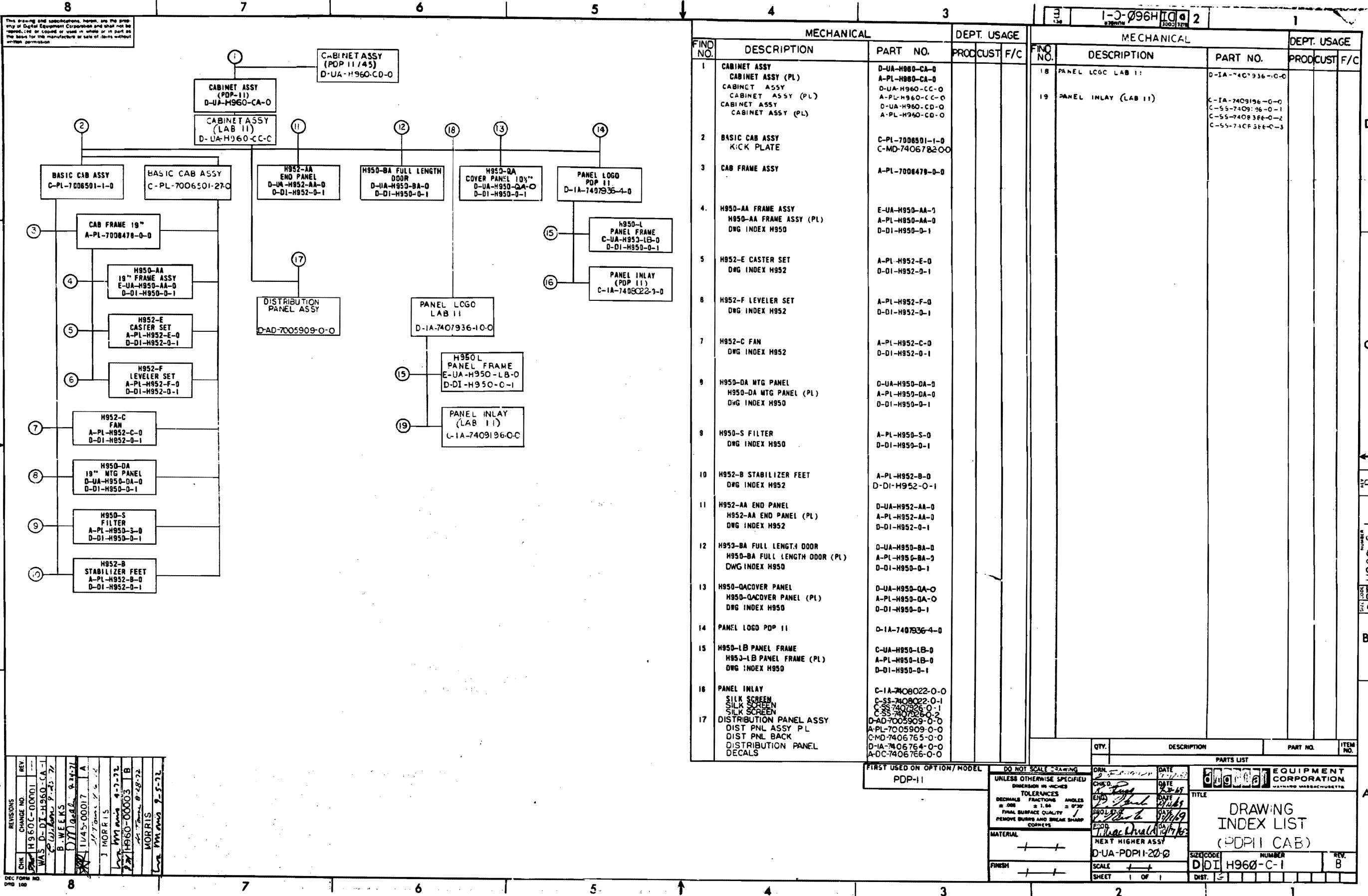
Engineering Drawings

Digital Equipment Corporation

MP-H960-C0

The material herein is for information purposes only and is subject to change without notice. Digital Equipment Corporation assumes no responsibility for any errors which may appear herein.

These drawings and specifications herein are the property of Digital Equipment Corporation and shall not be reproduced or copied or used in whole or in part as the basis for the manufacture or sale of items without written permission.
Copyright © 1975, Digital Equipment Corporation



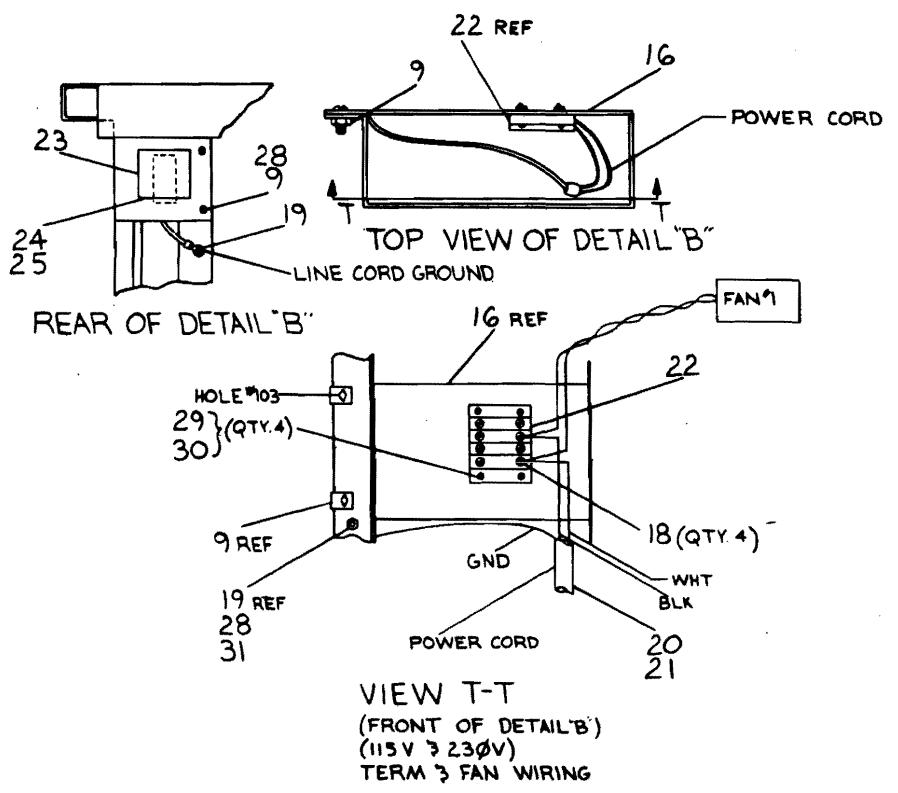
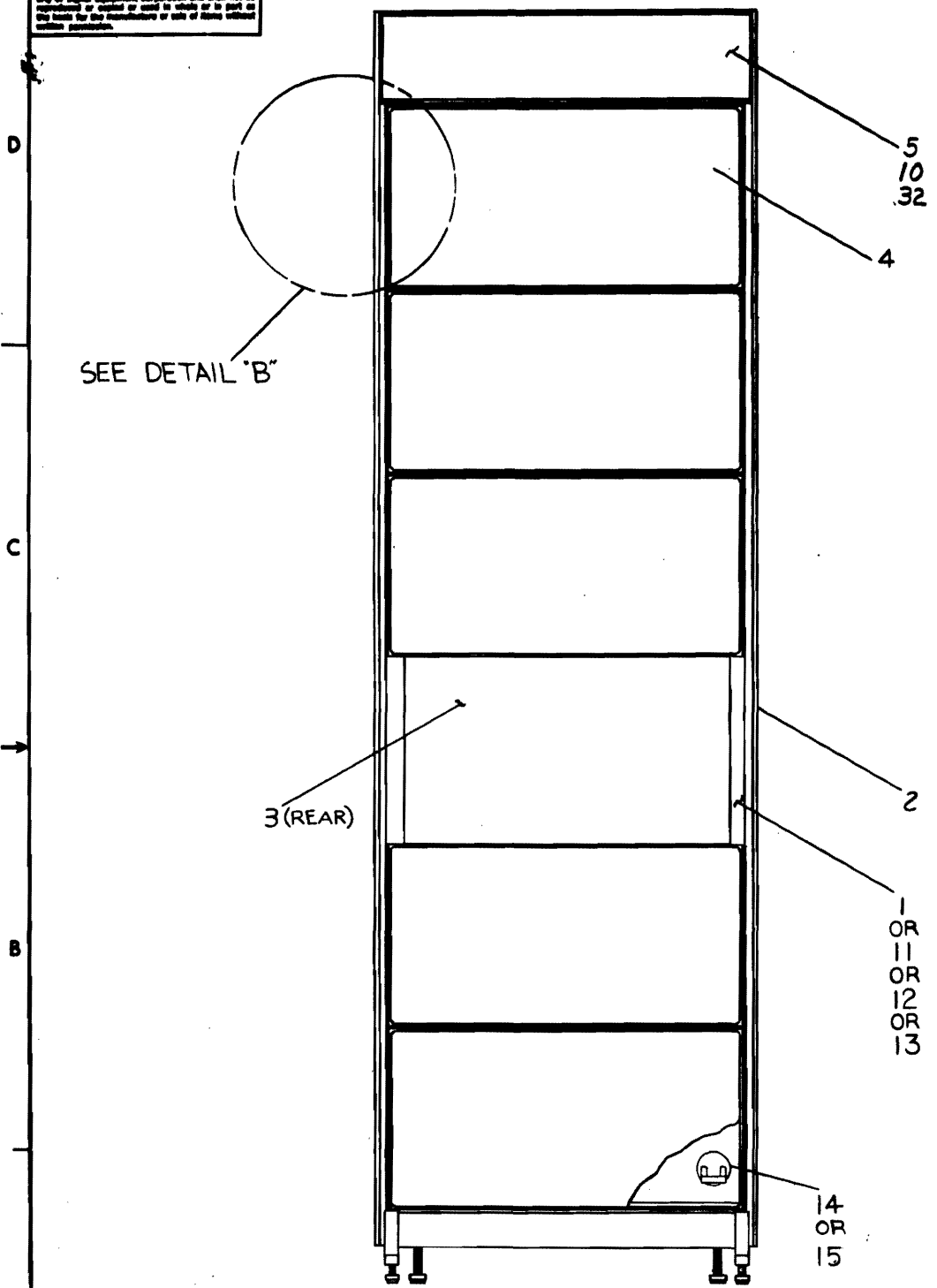
MECHANICAL			DEPT. USAGE		MECHANICAL			DEPT. USAGE	
FIND NO.	DESCRIPTION	PART NO.	PRODCUST	F/C	FIND NO.	DESCRIPTION	PART NO.	PRODCUST	F/C
1	CABINET ASSY CABINET ASSY (PL) CABINET ASSY (PL) CABINET ASSY (PL) CABINET ASSY (PL)	D-UA-H960-CA-0 A-PL-H960-CA-0 D-UA-H960-CC-0 A-PL-H960-CC-0 D-UA-H960-CD-0 A-PL-H960-CD-0			18	PANEL LOGO LAB 11	D-IA-7407936-0-0		
2	BASIC CAB ASSY KICK PLATE	C-PL-7006501-1-0 C-MD-7406765-0-0			19	PANEL INLAY (LAB 11)	C-IA-7409196-0-0 C-SS-7409196-0-1 C-SS-7408366-0-2 C-SS-7408366-0-3		
3	CAB FRAME ASSY	A-PL-7008478-0-0							
4	H950-AA FRAME ASSY H950-AA FRAME ASSY (PL) DWG INDEX H950	E-UA-H950-AA-0 A-PL-H950-AA-0 D-DI-H950-0-1							
5	H952-E CASTER SET DWG INDEX H952	A-PL-H952-E-0 D-DI-H952-0-1							
6	H952-F LEVELER SET DWG INDEX H952	A-PL-H952-F-0 D-DI-H952-0-1							
7	H952-C FAN DWG INDEX H952	A-PL-H952-C-0 D-DI-H952-0-1							
8	H950-DA MTG PANEL H950-DA MTG PANEL (PL) DWG INDEX H950	D-UA-H950-DA-0 A-PL-H950-DA-0 D-DI-H950-0-1							
9	H950-S FILTER DWG INDEX H950	A-PL-H950-S-0 D-DI-H950-0-1							
10	H952-B STABILIZER FEET DWG INDEX H952	A-PL-H952-B-0 D-DI-H952-0-1							
11	H952-AA END PANEL H952-AA END PANEL (PL) DWG INDEX H952	D-UA-H952-AA-0 A-PL-H952-AA-0 D-DI-H952-0-1							
12	H950-BA FULL LENGTH DOOR H950-BA FULL LENGTH DOOR (PL) DWG INDEX H950	D-UA-H950-BA-0 A-PL-H950-BA-0 D-DI-H950-0-1							
13	H950-Q COVER PANEL H950-Q COVER PANEL (PL) DWG INDEX H950	D-UA-H950-QA-0 A-PL-H950-QA-0 D-DI-H950-0-1							
14	PANEL LOGO PDP 11	D-IA-7407936-4-0							
15	H950-LB PANEL FRAME H950-LB PANEL FRAME (PL) DWG INDEX H950	C-UA-H950-LB-0 A-PL-H950-LB-0 D-DI-H950-0-1							
16	PANEL INLAY SILK SCREEN SILK SCREEN SILK SCREEN	C-IA-7408022-0-0 C-SS-7408022-0-1 C-SS-7407936-0-1 C-SS-7407936-0-2							
17	DISTRIBUTION PANEL ASSY DIST PNL ASSY PL DIST PNL BACK DISTRIBUTION PANEL DECALS	D-AD-7005909-0-0 A-PL-7005909-0-0 C-MD-7406765-0-0 D-IA-7406764-0-0 A-DC-7406766-0-0							

REV	CHG	NO	DATE	BY	REASON
1	1	1	11/15/69	WAS	INITIALS
2	1	1	11/15/69	WAS	INITIALS
3	1	1	11/15/69	WAS	INITIALS
4	1	1	11/15/69	WAS	INITIALS
5	1	1	11/15/69	WAS	INITIALS
6	1	1	11/15/69	WAS	INITIALS
7	1	1	11/15/69	WAS	INITIALS
8	1	1	11/15/69	WAS	INITIALS

DO NOT SCALE DRAWING UNLESS OTHERWISE SPECIFIED DIMENSION IN INCHES TOLERANCES DECIMALS FRACTIONS ANGLES ± .005 ± .005 ± 1.00 FINISH SURFACE QUALITY REMOVE BURRS AND BREAK SHARP CORNERS	DATE 11/15/69 DATE 11/15/69 DATE 11/15/69 DATE 11/15/69 DATE 11/15/69	DATE 11/15/69 DATE 11/15/69 DATE 11/15/69 DATE 11/15/69 DATE 11/15/69	DATE 11/15/69 DATE 11/15/69 DATE 11/15/69 DATE 11/15/69 DATE 11/15/69
MATERIAL	FINISH	SCALE	SHEET 1 OF 1
FIRST USED ON OPTION / MODEL PDP-11		EQUIPMENT CORPORATION DRAWING INDEX LIST (PDP-11 CAB)	
NEXT HIGHER ASSY D-UA-PDP11-200		SIZE CODE D DI H960-C-1	REV. 8

- NOTES:**
1. FOR DWG INDEX LIST REFER TO D-DI-H960-C-1
 2. FOR ASSEMBLY INSTRUCTIONS SEE DWG. D-OC-H950-0-0 & D-OC-H952-0-0.
 3. FOR INSTALLATION IN PDP11 SYSTEM REFER TO DWG D-UA-PDP11-20-0.
 4. 861 POWER SUPPLY, IN SOME INSTANCES CAN BE MOUNTED IN REAR OF CAB. THE FAN POWER CORD WILL BE PLUGGED INTO THE SWITCHED SIDE OF THE 861 POWER SUPPLY.

This drawing and specifications herein are the property of Digital Equipment Corporation and shall not be reproduced or copied in whole or in part in any form for the reproduction or sale of any other product.



REV.	CHANGE NO.	REV.
1	H960C-00001	W.A.S.
2	D-UA-H-950-CA-0	W.A.S.
3	D-UA-P-23-71	B. WEEKS
4	9-24-71	D. WOOD
5	H960C-00002	B
6	3-28-75	B. MINOR
7	2-20-75	B. MINOR
8	H960C-00003	C
9	H960C-00004	D
10	H960C-00005	E
11	H960C-00006	F
12	H960C-00007	H
13	H960C-00008	H
14	H960C-00009	H
15	H960C-00010	H
16	H960C-00011	H
17	H960C-00012	H
18	H960C-00013	H
19	H960C-00014	H
20	H960C-00015	H
21	H960C-00016	H
22	H960C-00017	H
23	H960C-00018	H
24	H960C-00019	H
25	H960C-00020	H
26	H960C-00021	H
27	H960C-00022	H
28	H960C-00023	H
29	H960C-00024	H
30	H960C-00025	H
31	H960C-00026	H
32	H960C-00027	H
33	H960C-00028	H
34	H960C-00029	H
35	H960C-00030	H
36	H960C-00031	H
37	H960C-00032	H
38	H960C-00033	H
39	H960C-00034	H
40	H960C-00035	H
41	H960C-00036	H
42	H960C-00037	H
43	H960C-00038	H
44	H960C-00039	H
45	H960C-00040	H
46	H960C-00041	H
47	H960C-00042	H
48	H960C-00043	H
49	H960C-00044	H
50	H960C-00045	H
51	H960C-00046	H
52	H960C-00047	H
53	H960C-00048	H
54	H960C-00049	H
55	H960C-00050	H
56	H960C-00051	H
57	H960C-00052	H
58	H960C-00053	H
59	H960C-00054	H
60	H960C-00055	H
61	H960C-00056	H
62	H960C-00057	H
63	H960C-00058	H
64	H960C-00059	H
65	H960C-00060	H
66	H960C-00061	H
67	H960C-00062	H
68	H960C-00063	H
69	H960C-00064	H
70	H960C-00065	H
71	H960C-00066	H
72	H960C-00067	H
73	H960C-00068	H
74	H960C-00069	H
75	H960C-00070	H
76	H960C-00071	H
77	H960C-00072	H
78	H960C-00073	H
79	H960C-00074	H
80	H960C-00075	H
81	H960C-00076	H
82	H960C-00077	H
83	H960C-00078	H
84	H960C-00079	H
85	H960C-00080	H
86	H960C-00081	H
87	H960C-00082	H
88	H960C-00083	H
89	H960C-00084	H
90	H960C-00085	H
91	H960C-00086	H
92	H960C-00087	H
93	H960C-00088	H
94	H960C-00089	H
95	H960C-00090	H
96	H960C-00091	H
97	H960C-00092	H
98	H960C-00093	H
99	H960C-00094	H
100	H960C-00095	H

QTY.	DESCRIPTION	PART NO.	ITEM NO.
PARTS LIST			
EQUIPMENT CORPORATION MILFORD, MASSACHUSETTS			
TITLE CABINET ASSY (PDP11)			
FIRST USED ON OPTION/MODEL PDP11		DO NOT SCALE DIMENSIONS UNLESS OTHERWISE SPECIFIED DIMENSIONS IN INCHES TOLERANCES HOLE ± .003 FRAMES ± .005 FINISH SURFACE QUALITY RESERVE DIMS AND BREAK SHARP CORNERS	DATE BY CHKD APP'D REV. 1 REV. 2 REV. 3 REV. 4 REV. 5 REV. 6 REV. 7 REV. 8 REV. 9 REV. 10
MATERIAL FINISH		SCALE NONE	REV. CODE DUA H960-C-0
NEXT HIGHER ASSY		SCALE NONE	REV. CODE DUA H960-C-0
SHEET 1 OF 1		SCALE NONE	REV. CODE DUA H960-C-0

DUA H960-C-0

DIGITAL EQUIPMENT CORPORATION MAYNARD, MASSACHUSETTS PARTS LIST					QUANTITY/VARIATION										
MADE BY P. MARCOTTE		CHECKED K. RUSS		SECTION	H960-CA	H960-CC	H960-CD	H960-CB	H960-CE	H960-CF	H960-CG				
DATE 9/17/69		DATE 9/26/69		1											
ENG D. Marcotte		PROD T. Macdonald		ISSUED SECT.											
DATE 10/16/69		DATE 10/17/69		1											
ITEM NO.	DWG NO. / PART NO.	DESCRIPTION													
1	C-PL-7006501-1-0	BASIC CABINET ASSY 19" (115 VAC)			1	1	-	-	-	1	-				
2	D-UA-H952-AA-0	PANEL, END H952-AA			2	2	2	2	2	-	-				
3	D-UA-H950-BA-0	FULL LENGTH DOOR 19" (R.H.)			1	1	1	-	-	1	1				
4	D-UA-H950-CA-0	COVER PANEL 10 1/2			6	A/R	3	6	3	6	6				
5	D-IA-7407936-4-0	LOGO PDP 11			1	-	1	1	1	-	-				
6	D-AD-7005909-0-0	DISTRIBUTION PANEL, ASSY			1	1	-	1	-	-	-				
7	9006074-3	SCR PHL TRUSS HD #10-32 X 5/8 SST			6	6	-	6	-	6	6				
8	9006635	LOCK WASHER INT TOOTH #10			6	6	-	6	-	6	6				
9	9007786	NUT #C31758-1032-27 TINNEMAN			6	6	-	6	-	6	6				
10	D-IA-7407936-10-0	PANEL LOGO LAB11			-	1	-	-	-	-	-				
11	C-PL-7006501-42-0	BASIC CABINET ASSY 19"			-	-	1	-	-	-	-				
12	C-PL-7006501-39-0	BASIC CABINET ASSY 19" (230 VAC)			-	-	-	1	-	-	1				
13	C-PL-7006501-44-0	BASIC CABINET ASSY 19"			-	-	-	-	1	-	-				
14	861-C	POWER CONTROL 115V SINGLE PHASE			1	-	1	-	-	1	-				
15	861-B	POWER CONTROL 230V SINGLE PHASE			-	-	-	1	1	-	1				
16	C-MD-7407607-0-0	PLATE JONES STRIP			1	-	1	1	1	1	1				
17	C-IA-7008288-8	CABLE ASSY, 8' REMOTE			1	-	1	1	1	1	1				
18	9007929-01	CONN SOLDERLESS #6 HOLE			4	-	4	4	4	4	4				
19	9007928-01	CONN SOLDERLESS CRIMP #10 HOLE			1	-	1	1	1	1	1				
20	1700016-9	POWER CORD, 9 FT. 230V			-	-	-	1	1	-	1				
21	A-PS-1700006-9	POWER CORD TERM 9 FT. 115V			1	-	1	-	-	1	-				
22	9009002	TERMINAL BLOCK - 4 TERMINALS			1	-	1	1	1	1	1				
TITLE CABINET ASSY (PDP 11)				ASSY NO. D-UA-H960-C-0	SIZE A	CODE PL	NUMBER H960-C-0				REV. F	ECO NO. H960C-00006			
				SHEET 1 OF 2	DIST. G										

DEC FORM NO. DRA 110

ML

DIGITAL EQUIPMENT CORPORATION MAYNARD, MASSACHUSETTS PARTS LIST					QUANTITY/VARIATION										
MADE BY P. MARCOTTE		CHECKED K. RUSS		SECTION	H960-CA	H960-CC	H960-CD	H960-CB	H960-CE	H960-CF	H960-CG				
DATE 9/17/69		DATE 9/26/69		1											
ENG D. NEVALA		PROD T. MACDONALD		ISSUED SECT.											
DATE 10/16/69		DATE 10/17/69		1											
ITEM NO.	DWG NO. / PART NO.	DESCRIPTION													
23	A-PS-3610267-80	DECAL HIGH VOLTAGE			1	-	1	1	1	1	1				
24	A-DC-7407314-0-0	DECAL 115V, 60HZ			1	-	1	-	-	1	-				
25	A-DC-7406574-0-0	DECAL 230V, 50HZ			-	-	-	1	1	-	1				
26	9009002	BLOCK TERM.			2	-	2	2	2	2	2				
27	H952-GA	STRIP ASSY FILLER			-	-	-	-	-	1	1				
28	9009700-01	SCREW, SEMS, PHL TRUSS H.D.#10-32 x .50			3	-	3	3	3	3	3				
29	9006025-1	SCREW, PHIL HD PAN 6-32 x .62			4	-	4	4	4	4	4				
30	9006560	NUT KEPS #6-32			4	-	4	4	4	4	4				
31	9006565	NUT KEPS #10-32			1	-	1	1	1	1	1				
32	D-IA-7407936-1-0	LOGO PANEL PDP11 (BLANK)			-	-	-	-	-	1	1				
TITLE CABINET ASSY (PDP-11)				ASSY NO. D-UA-H960-C-0	SIZE A	CODE PL	NUMBER H960-C-0				REV. F	ECO NO.			
				SHEET 2 OF 2	DIST. G										

DEC FORM DEC 16-(325)-1031-N870
DRA 110

ML