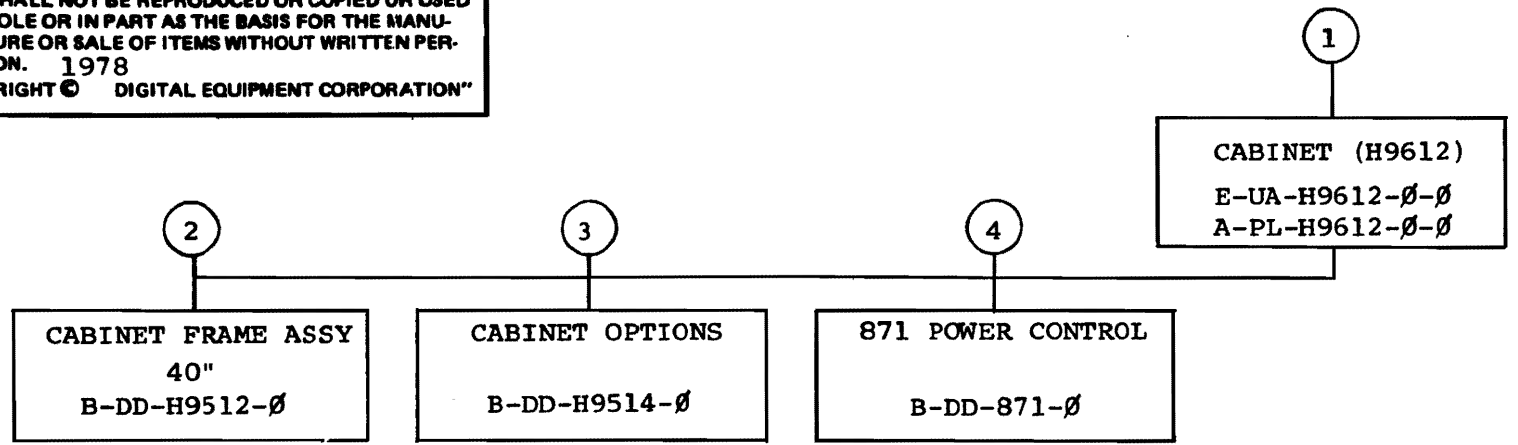
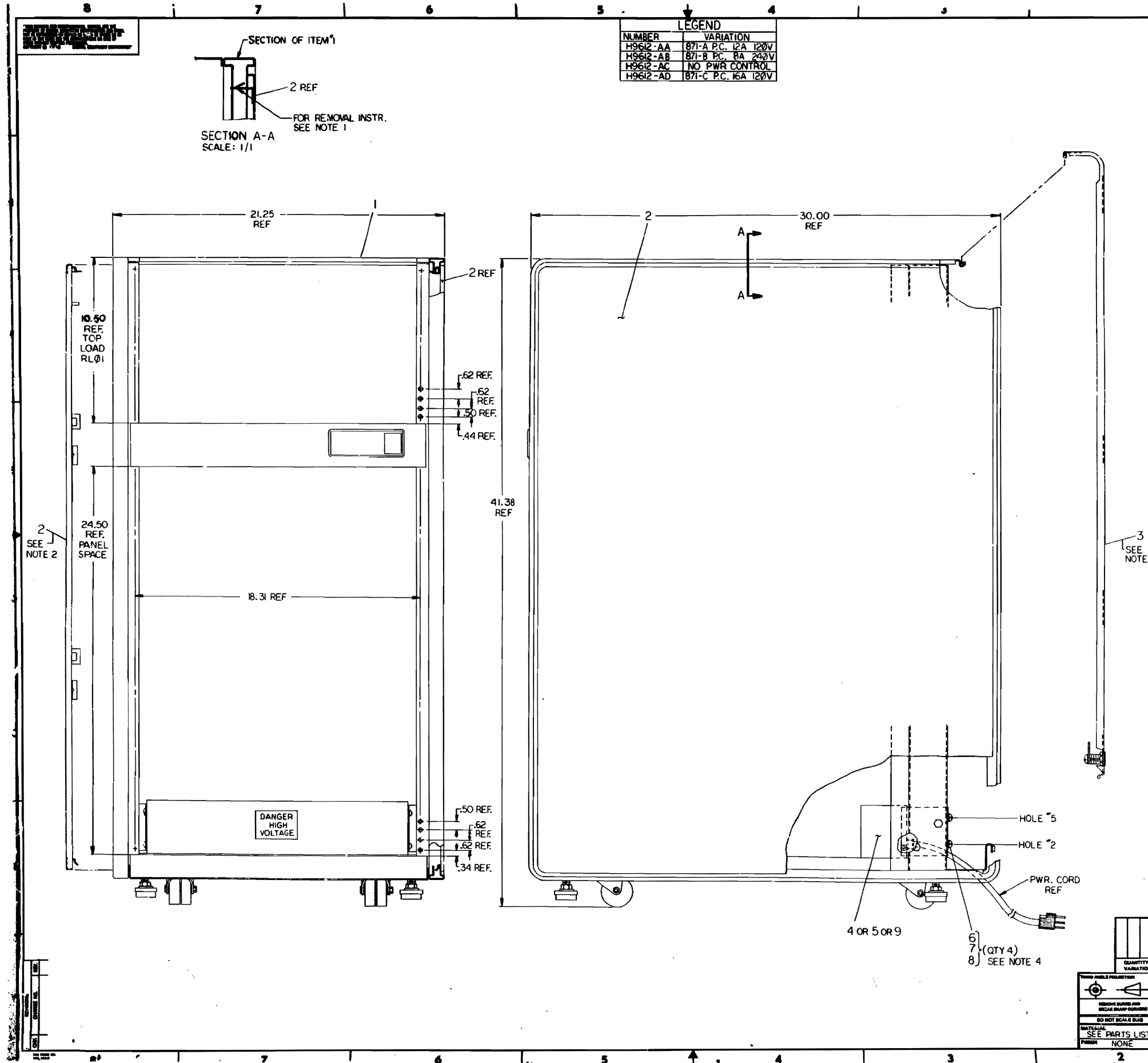


"THIS DRAWING AND SPECIFICATIONS, HEREIN, ARE THE PROPERTY OF DIGITAL EQUIPMENT CORPORATION AND SHALL NOT BE REPRODUCED OR COPIED OR USED IN WHOLE OR IN PART AS THE BASIS FOR THE MANUFACTURE OR SALE OF ITEMS WITHOUT WRITTEN PERMISSION. 1978
 COPYRIGHT © DIGITAL EQUIPMENT CORPORATION"



TITLE	SIZE CODE	NUMBER	REV
CABINET (H9612)	B DD	H9612-Ø	

SHEET 2 OF 3



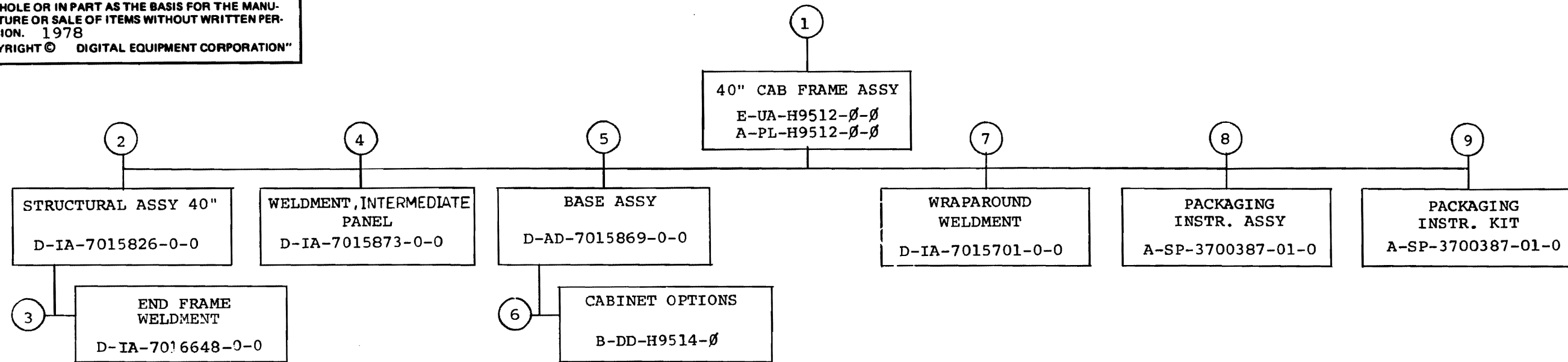
LEGEND	
NUMBER	VARIATION
H9612-AA	871-A P.C. 12A 120V
H9612-AB	871-B P.C. 8A 240V
H9612-AC	NO PWR CONTROL
H9612-AD	871-C P.C. 16A 120V

- NOTES:
1. DEPRESS SPRING CLIP WITH SCREWDRIVER IN MIDDLE OF SIDE PANELS, PUSHING DOWNWARD. THIS WILL RELEASE SIDE PANELS WHEN PUSHED OUTWARD FROM INSIDE. IF THIS IS NOT DONE PRIOR TO REMOVAL, THE SIDE PANEL WILL BUCKLE AND WILL BE DESTROYED FROM FURTHER USE.
 2. TO FASTEN SIDE PANELS, CENTER THEM WITH APPROX. .25 IN. SPACE SHOWING ON BOTH SIDES FROM THE ROLL FORM AND PRESS GENTLY AROUND THE EDGES TILL THE CLIPS ENGAGE.
 3. FOR INSTALLING REAR PANEL, DROP HEMMED UP AT TOP INTO TRAY OF PANEL AND PRESS WHILE TURNING KEY AT BOTTOM OF REAR PANEL. THIS WILL AUTOMATICALLY GROUND ITSELF AND FASTEN THE PANEL SECURELY. TO REMOVE UNLOCK AND LIFT PANEL UPWARD WHILE HOLDING TOP OF PANEL WITH OTHER HAND.
 4. TORQUE REQUIREMENTS:
10-32 — 35 INCH POUNDS.

CAUTION:
OFF SHEETS PARTS LIST
EXIST A-PL-H9612-0-0

DESCRIPTION		QTY	UNIT	ITEM NO.
UNLESS OTHERWISE SPECIFIED DIMENSIONS ARE IN INCHES				
AS LTR	QUANTITY	UNIT	ITEM NO.	
AMOUNT	QTY	UNIT	ITEM NO.	
QUALITY	QTY	UNIT	ITEM NO.	
QUANTITY & VARIATION	QTY	UNIT	ITEM NO.	
DATE	BY	REV	DATE	
CHKD	BY	REV	DATE	
ENGR	BY	REV	DATE	
PROJ. ENGR	BY	REV	DATE	
PRG. MGR	BY	REV	DATE	
NEXT HIGHER AUTH.	BY	REV	DATE	
DO NOT SCALE DIMS				
MATERIALS				
SEE PARTS LIST				
FORM				
REV				
DATE				
BY				
CHKD				
ENGR				
PROJ. ENGR				
PRG. MGR				
NEXT HIGHER AUTH.				
DATE				
BY				
CHKD				
ENGR				
PROJ. ENGR				
PRG. MGR				
NEXT HIGHER AUTH.				
DATE				
BY				
CHKD				
ENGR				
PROJ. ENGR				
PRG. MGR				
NEXT HIGHER AUTH.				
DATE				
BY				
CHKD				
ENGR				
PROJ. ENGR				
PRG. MGR				
NEXT HIGHER AUTH.				
DATE				
BY				
CHKD				
ENGR				
PROJ. ENGR				
PRG. MGR				
NEXT HIGHER AUTH.				
DATE				
BY				
CHKD				
ENGR				
PROJ. ENGR				
PRG. MGR				
NEXT HIGHER AUTH.				
DATE				
BY				
CHKD				
ENGR				
PROJ. ENGR				
PRG. MGR				
NEXT HIGHER AUTH.				
DATE				
BY				
CHKD				
ENGR				
PROJ. ENGR				
PRG. MGR				
NEXT HIGHER AUTH.				
DATE				
BY				
CHKD				
ENGR				
PROJ. ENGR				
PRG. MGR				
NEXT HIGHER AUTH.				
DATE				
BY				
CHKD				
ENGR				
PROJ. ENGR				
PRG. MGR				
NEXT HIGHER AUTH.				
DATE				
BY				
CHKD				
ENGR				
PROJ. ENGR				
PRG. MGR				
NEXT HIGHER AUTH.				
DATE				
BY				
CHKD				
ENGR				
PROJ. ENGR				
PRG. MGR				
NEXT HIGHER AUTH.				
DATE				
BY				
CHKD				
ENGR				
PROJ. ENGR				
PRG. MGR				
NEXT HIGHER AUTH.				
DATE				
BY				
CHKD				
ENGR				
PROJ. ENGR				
PRG. MGR				
NEXT HIGHER AUTH.				
DATE				
BY				
CHKD				
ENGR				
PROJ. ENGR				
PRG. MGR				
NEXT HIGHER AUTH.				
DATE				
BY				
CHKD				
ENGR				
PROJ. ENGR				
PRG. MGR				
NEXT HIGHER AUTH.				
DATE				
BY				
CHKD				
ENGR				
PROJ. ENGR				
PRG. MGR				
NEXT HIGHER AUTH.				
DATE				
BY				
CHKD				
ENGR				
PROJ. ENGR				
PRG. MGR				
NEXT HIGHER AUTH.				
DATE				
BY				
CHKD				
ENGR				
PROJ. ENGR				
PRG. MGR				
NEXT HIGHER AUTH.				
DATE				
BY				
CHKD				
ENGR				
PROJ. ENGR				
PRG. MGR				
NEXT HIGHER AUTH.				
DATE				
BY				
CHKD				
ENGR				
PROJ. ENGR				
PRG. MGR				
NEXT HIGHER AUTH.				
DATE				
BY				
CHKD				
ENGR				
PROJ. ENGR				
PRG. MGR				
NEXT HIGHER AUTH.				
DATE				
BY				
CHKD				
ENGR				
PROJ. ENGR				
PRG. MGR				
NEXT HIGHER AUTH.				
DATE				
BY				
CHKD				
ENGR				
PROJ. ENGR				
PRG. MGR				
NEXT HIGHER AUTH.				
DATE				
BY				
CHKD				
ENGR				
PROJ. ENGR				
PRG. MGR				
NEXT HIGHER AUTH.				
DATE				
BY				
CHKD				
ENGR				
PROJ. ENGR				
PRG. MGR				
NEXT HIGHER AUTH.				
DATE				
BY				
CHKD				
ENGR				
PROJ. ENGR				
PRG. MGR				
NEXT HIGHER AUTH.				
DATE				
BY				
CHKD				
ENGR				
PROJ. ENGR				
PRG. MGR				
NEXT HIGHER AUTH.				
DATE				
BY				
CHKD				
ENGR				
PROJ. ENGR				
PRG. MGR				
NEXT HIGHER AUTH.				
DATE				
BY				
CHKD				
ENGR				
PROJ. ENGR				
PRG. MGR				
NEXT HIGHER AUTH.				
DATE				
BY				
CHKD				
ENGR				
PROJ. ENGR				
PRG. MGR				
NEXT HIGHER AUTH.				
DATE				
BY				
CHKD				
ENGR				
PROJ. ENGR				
PRG. MGR				
NEXT HIGHER AUTH.				
DATE				
BY				
CHKD				
ENGR				
PROJ. ENGR				
PRG. MGR				
NEXT HIGHER AUTH.				
DATE				
BY				
CHKD				
ENGR				
PROJ. ENGR				
PRG. MGR				
NEXT HIGHER AUTH.				
DATE				
BY				
CHKD				
ENGR				
PROJ. ENGR				
PRG. MGR				
NEXT HIGHER AUTH.				
DATE				
BY				
CHKD				
ENGR				
PROJ. ENGR				
PRG. MGR				
NEXT HIGHER AUTH.				
DATE				
BY				
CHKD				
ENGR				
PROJ. ENGR				
PRG. MGR				
NEXT HIGHER AUTH.				
DATE				
BY				
CHKD				
ENGR				
PROJ. ENGR				
PRG. MGR				
NEXT HIGHER AUTH.				
DATE				
BY				
CHKD				
ENGR				
PROJ. ENGR				
PRG. MGR				
NEXT HIGHER AUTH.				
DATE				
BY				
CHKD				
ENGR				
PROJ. ENGR				
PRG. MGR				
NEXT HIGHER AUTH.				
DATE				
BY				
CHKD				
ENGR				
PROJ. ENGR				
PRG. MGR				
NEXT HIGHER AUTH.				
DATE				
BY				
CHKD				
ENGR				
PROJ. ENGR				
PRG. MGR				
NEXT HIGHER AUTH.				
DATE				
BY				
CHKD				
ENGR				
PROJ. ENGR				
PRG. MGR				
NEXT HIGHER AUTH.				
DATE				
BY				
CHKD				
ENGR				
PROJ. ENGR				
PRG. MGR				
NEXT HIGHER AUTH.				
DATE				
BY				
CHKD				
ENGR				
PROJ. ENGR				
PRG. MGR				
NEXT HIGHER AUTH.				
DATE				
BY				
CHKD				
ENGR				
PROJ. ENGR				
PRG. MGR				
NEXT HIGHER AUTH.				
DATE				
BY				
CHKD				
ENGR				
PROJ. ENGR				
PRG. MGR				
NEXT HIGHER AUTH.				
DATE				
BY				
CHKD				
ENGR				
PROJ. ENGR				
PRG. MGR				
NEXT HIGHER AUTH.				
DATE				
BY				
CHKD				
ENGR				
PROJ. ENGR				
PRG. MGR				
NEXT HIGHER AUTH.				
DATE				
BY				
CHKD				
ENGR				
PROJ. ENGR				
PRG. MGR				
NEXT HIGHER AUTH.				
DATE				
BY				
CHKD				
ENGR				
PROJ. ENGR				
PRG. MGR				
NEXT HIGHER AUTH.				
DATE				
BY				
CHKD				
ENGR				
PROJ. ENGR				
PRG. MGR				
NEXT HIGHER AUTH.				
DATE				
BY				
CHKD				
ENGR				
PROJ. ENGR				
PRG. MGR				
NEXT HIGHER AUTH.				
DATE				
BY				
CHKD				
ENGR				
PROJ. ENGR				
PRG. MGR				
NEXT HIGHER AUTH.				
DATE				
BY				
CHKD				
ENGR				
PROJ. ENGR				
PRG. MGR				
NEXT HIGHER AUTH.				
DATE				
BY				
CHKD				
ENGR				
PROJ. ENGR				
PRG. MGR				
NEXT HIGHER AUTH.				
DATE				
BY				
CHKD				
ENGR				
PROJ. ENGR				
PRG. MGR				
NEXT HIGHER AUTH.				
DATE				
BY				
CHKD				
ENGR				
PROJ. ENGR				
PRG. MGR				
NEXT HIGHER AUTH.				
DATE				
BY				
CHKD				
ENGR				
PROJ. ENGR				
PRG. MGR				
NEXT HIGHER AUTH.				
DATE				
BY				
CHKD				
ENGR				
PROJ. ENGR				
PRG. MGR				
NEXT HIGHER AUTH.				
DATE				
BY				
CHKD				
ENGR				
PROJ. ENGR				
PRG. MGR				
NEXT HIGHER AUTH.				
DATE				
BY				
CHKD				
ENGR				
PROJ. ENGR				
PRG. MGR				
NEXT HIGHER AUTH.				
DATE				
BY				
CHKD				
ENGR				
PROJ. ENGR				
PRG. MGR				
NEXT HIGHER AUTH.				
DATE				
BY				
CHKD				
ENGR				
PROJ. ENGR				
PRG. MGR				
NEXT HIGHER AUTH.				
DATE				
BY				
CHKD				
ENGR				
PROJ. ENGR				

"THIS DRAWING AND SPECIFICATIONS, HEREIN, ARE THE PROPERTY OF DIGITAL EQUIPMENT CORPORATION AND SHALL NOT BE REPRODUCED OR COPIED OR USED IN WHOLE OR IN PART AS THE BASIS FOR THE MANUFACTURE OR SALE OF ITEMS WITHOUT WRITTEN PERMISSION. 1978
COPYRIGHT © DIGITAL EQUIPMENT CORPORATION"



TITLE 40" CAB FRAME ASSY	SHEET 2 OF 3	SIZE CODE B DD	NUMBER H9512-Ø	REV C
-----------------------------	--------------	-------------------	-------------------	----------

FIND NO.	DRAWING NO.	DESCRIPTION	TYPE	FIND NO.	DRAWING NO.	DESCRIPTION	TYPE
1	E-UA-H9512-Ø-Ø	40" CAB FRAME ASSY	M	6	B-DD-H9514-Ø	CABINET OPTIONS	M
	A-PL-H9512-Ø-Ø	40" CAB FRAME ASSY (PL)	M				
	D-PS-1215738-0-0	BEZEL, SWITCH	M				
2	D-IA-7015826-0-0	STRUCTURAL ASSY 40"	M	7	D-IA-7015701-0-0	WRAP AROUND WELDMENT	M
	D-MD-7420907-0-0	VERTICAL RAIL 40"	M				
3	D-IA-7016648-0-0	END FRAME WELDMENT	M				
	D-MD-7421156-0-0	ROLL FORM BENT RAIL	M	D-MD-7420910-0-0	WRAP AROUND, REAR SECTION	M	
	C-MD-7422557-0-0	SUPPORT	M				
	B-MD-7422556-0-0	STIFFENER	M				
4	D-IA-7015873-0-0	WELDMENT, INTERMEDIATE PANEL	M	8	A-SP-3700372-01-0	PACKAGING INSTR ASSY	-
	D-MD-7421154-0-0	PANEL, INTERMEDIATE	M				
	D-MD-7420782-0-0	GUSSET, SUPPORT	M				
5	D-AD-7015869-0-0	BASE ASSY	M	9	A-SP-3700387-01-0	PACKAGING INSTR	-
	E-PS-1216163-0-0	BASE, FOAM	M				
	D-MD-7420908-0-0	BASE TRIM BRKT	M				
	C-IA-7Ø16564-0-0	LOCKING BRKT-ASSY	M				
	D-IA-7421662-0-0	LOWER STRAIN RELIEF	M				

TYPE: E ELECTRICAL
M MECHANICAL
E/M ELECTRO/MECHANICAL



TITLE 40" CAB FRAME ASSY

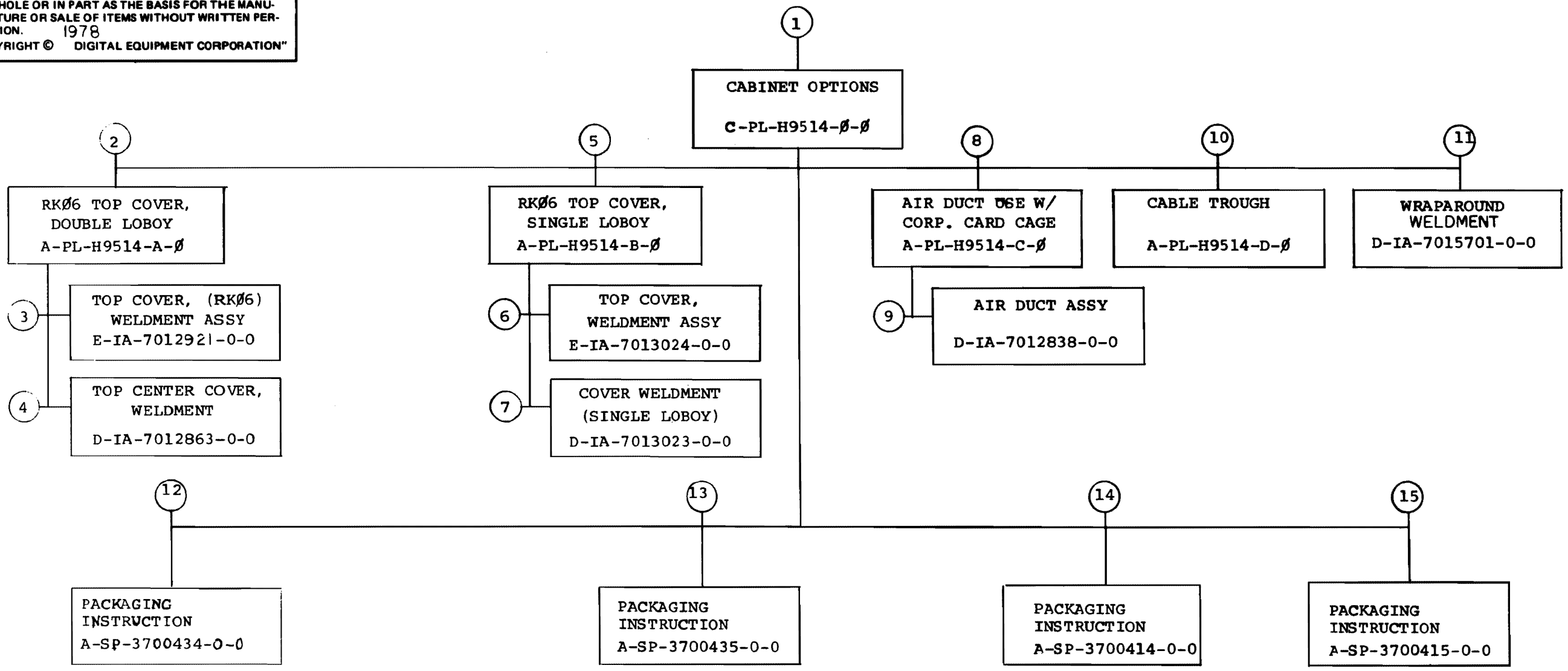
SHEET 3 OF 3

SIZE CODE B DD

NUMBER H9512-Ø

REV C

"THIS DRAWING AND SPECIFICATIONS, HEREIN, ARE THE PROPERTY OF DIGITAL EQUIPMENT CORPORATION AND SHALL NOT BE REPRODUCED OR COPIED OR USED IN WHOLE OR IN PART AS THE BASIS FOR THE MANUFACTURE OR SALE OF ITEMS WITHOUT WRITTEN PERMISSION. 1978
 COPYRIGHT © DIGITAL EQUIPMENT CORPORATION"

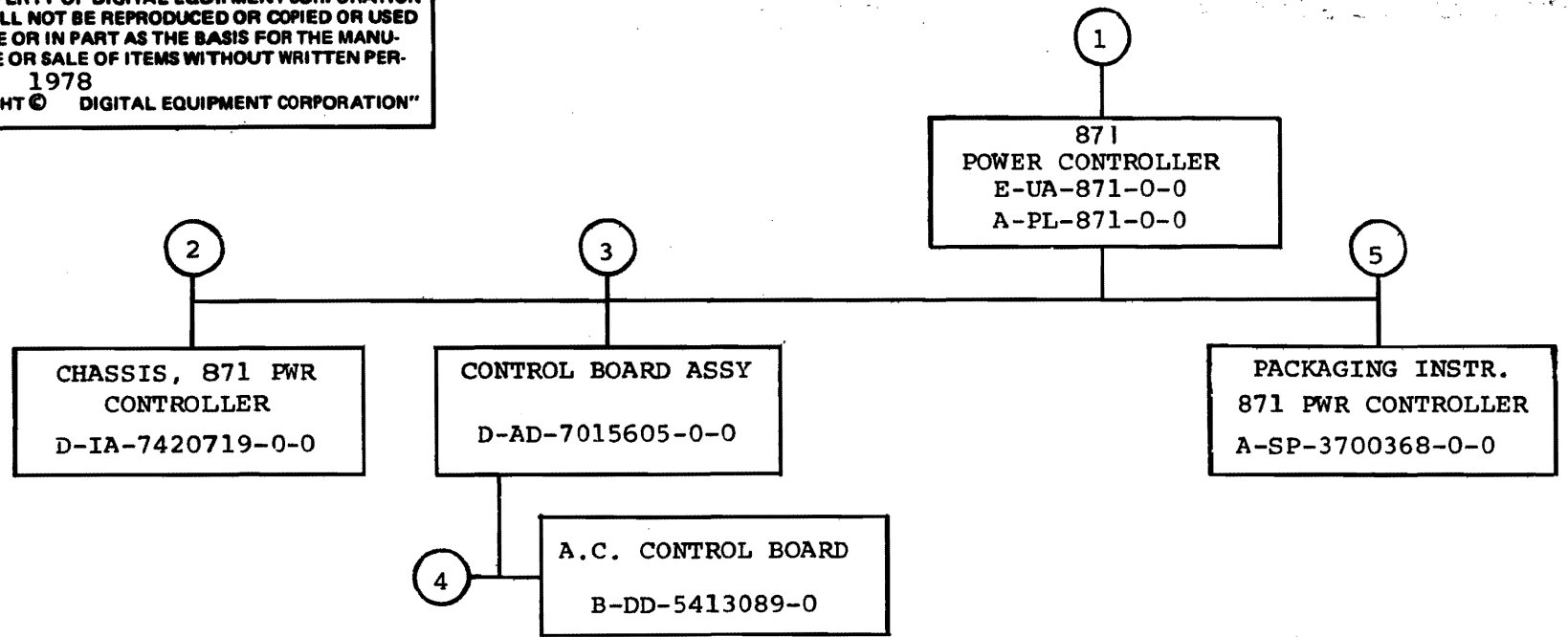


TITLE	SIZE CODE	NUMBER	REV
CABINET OPTIONS	B DD	H9514-Ø	C

SHEET 2 OF 4

ML

"THIS DRAWING AND SPECIFICATIONS, HEREIN, ARE THE PROPERTY OF DIGITAL EQUIPMENT CORPORATION AND SHALL NOT BE REPRODUCED OR COPIED OR USED IN WHOLE OR IN PART AS THE BASIS FOR THE MANUFACTURE OR SALE OF ITEMS WITHOUT WRITTEN PERMISSION. 1978
COPYRIGHT © DIGITAL EQUIPMENT CORPORATION"



TITLE	SIZE CODE	NUMBER	REV
871 POWER CONTROLLER	B DD	871-0	A

SHEET 2 OF 3

MK

