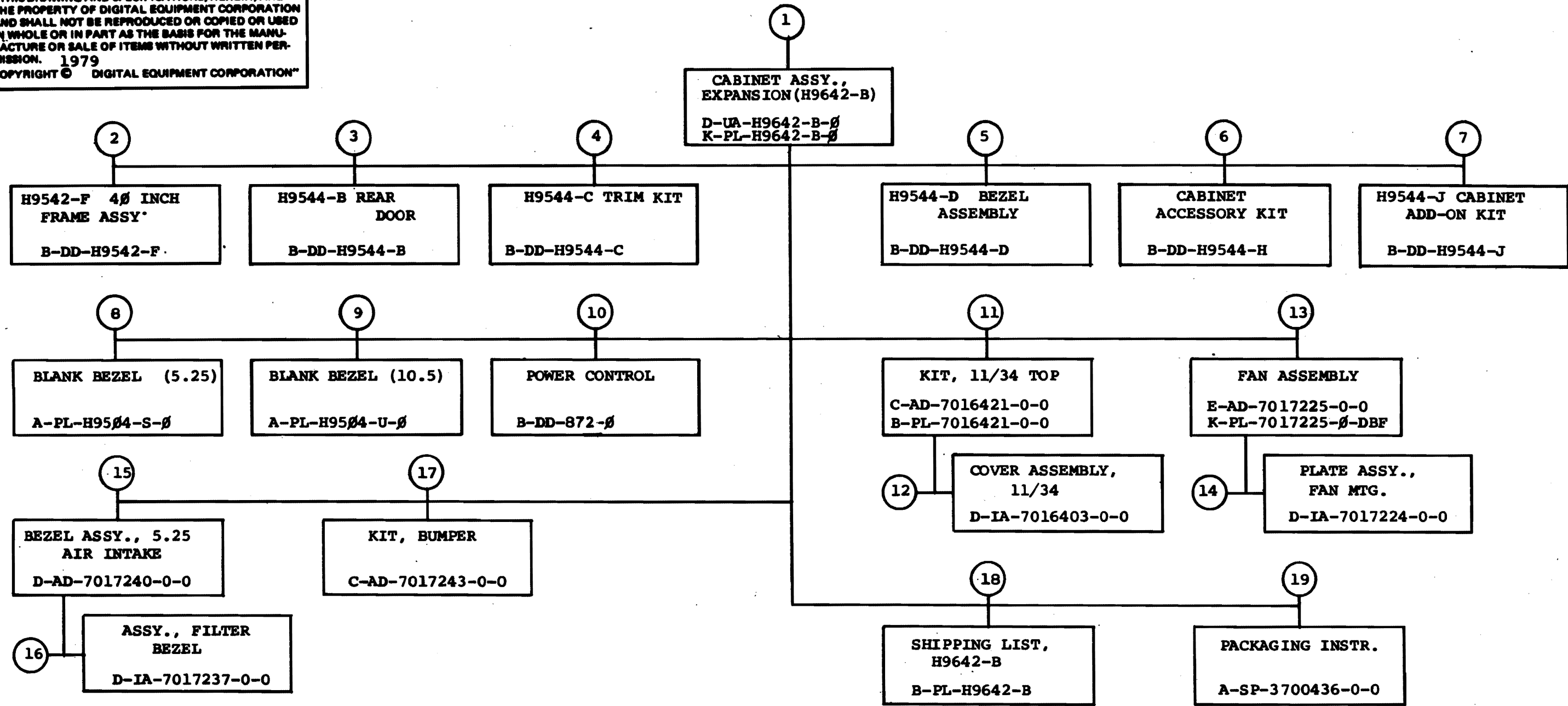


"THIS DRAWING AND SPECIFICATIONS, HEREIN, ARE THE PROPERTY OF DIGITAL EQUIPMENT CORPORATION AND SHALL NOT BE REPRODUCED OR COPIED OR USED IN WHOLE OR IN PART AS THE BASIS FOR THE MANUFACTURE OR SALE OF ITEMS WITHOUT WRITTEN PERMISSION. 1979
 COPYRIGHT © DIGITAL EQUIPMENT CORPORATION"



FIND NO.	DRAWING NO.	DESCRIPTION	TYPE	FIND NO.	DRAWING NO.	DESCRIPTION	TYPE
1	MPØØ779	H9642-B PRINT SET ORDER NO. (MP)	-				
	B-TC-H9642-B-1	CABINET ASSY., EXPANSION (H9642-B) (TC)	-				
	D-UA-H9642-B-Ø	CABINET ASSY., EXPANSION (H9642-B)	E/M				
	K-PL-H9642-B-Ø	CABINET ASSY., EXPANSION (H9642-B)	E/M				
	C-IA-7008288-0-0	CABLE ASSY.	E/M				
	A-PS-3613210-0-0	LABEL, IDENTIFICATION	M				
2	B-DD-H9542-F	H9542-F 4Ø INCH FRAME ASSY.	-				
3	B-DD-H9544-B	H9544-B REAR DOOR	-				
4	B-DD-H9544-C	H9544-C TRIM KIT	-				
5	B-DD-H9544-D	H9544-D BEZEL ASSEMBLY	-				
6	B-DD-H9544-H	CABINET ACCESSORY KIT	-				
7	B-DD-H9544-J	H9544-J CABINET ADD-ON KIT	-				
8	A-PL-H95Ø4-S-Ø	BLANK BEZEL (5.25)	M				
9	A-PL-H95Ø4-U-Ø	BLANK BEZEL (10.50)	M				
				10	B-DD-872 -Ø	POWER CONTROL	-
				11	C-AD-7016421-0-0	KIT, 11/34 TOP	M
					B-PL-7016421-0-0	KIT, 11/34 TOP	M
					D-IA-7422243-0-0	REAR VENT, RLØ1	M
					D-MD-7422244-0-0	BRKT., REAR VENT SUPPORT	M
				12	D-IA-70164Ø3-0-0	COVER ASSEMBLY, 11/34	M
					D-MD-7421900-0-0	COVER, 11/34	M
					D-IA-7421899-0-0	SECTION, 11/34 COVER HAT	M
				13	E-AD-7017225-0-0	FAN ASSEMBLY	E/M
					K-PL-7017225-Ø-DBF	FAN ASSEMBLY	E/M
					C-MD-7408463-0-0	STRIP, COVER TERMINAL	M
					C-IA-7017231-0-0	CORD, POWER	E/M
				14	D-IA-7017224-0-0	PLATE ASSY., FAN MTG.	M
					D-MD-7421936-0-0	PLATE, FAN MOUNTING	M
					C-MD-7421934-0-0	BRK'T., SIDE	M
				15	D-AD-7017240-0-0	BEZEL ASSY., 5.25 AIR INTAKE	M
					C-MD-7413707-0-0	STRIP	M
					B-MD-7415711-0-0	PIN, PILOT	M

TYPE: E ELECTRICAL
M MECHANICAL
E/M ELECTRO/MECHANICAL



TITLE
CABINET ASSY.,
EXPANSION (H9642-B)

SHEET 3 OF 4

SIZE CODE
B DD

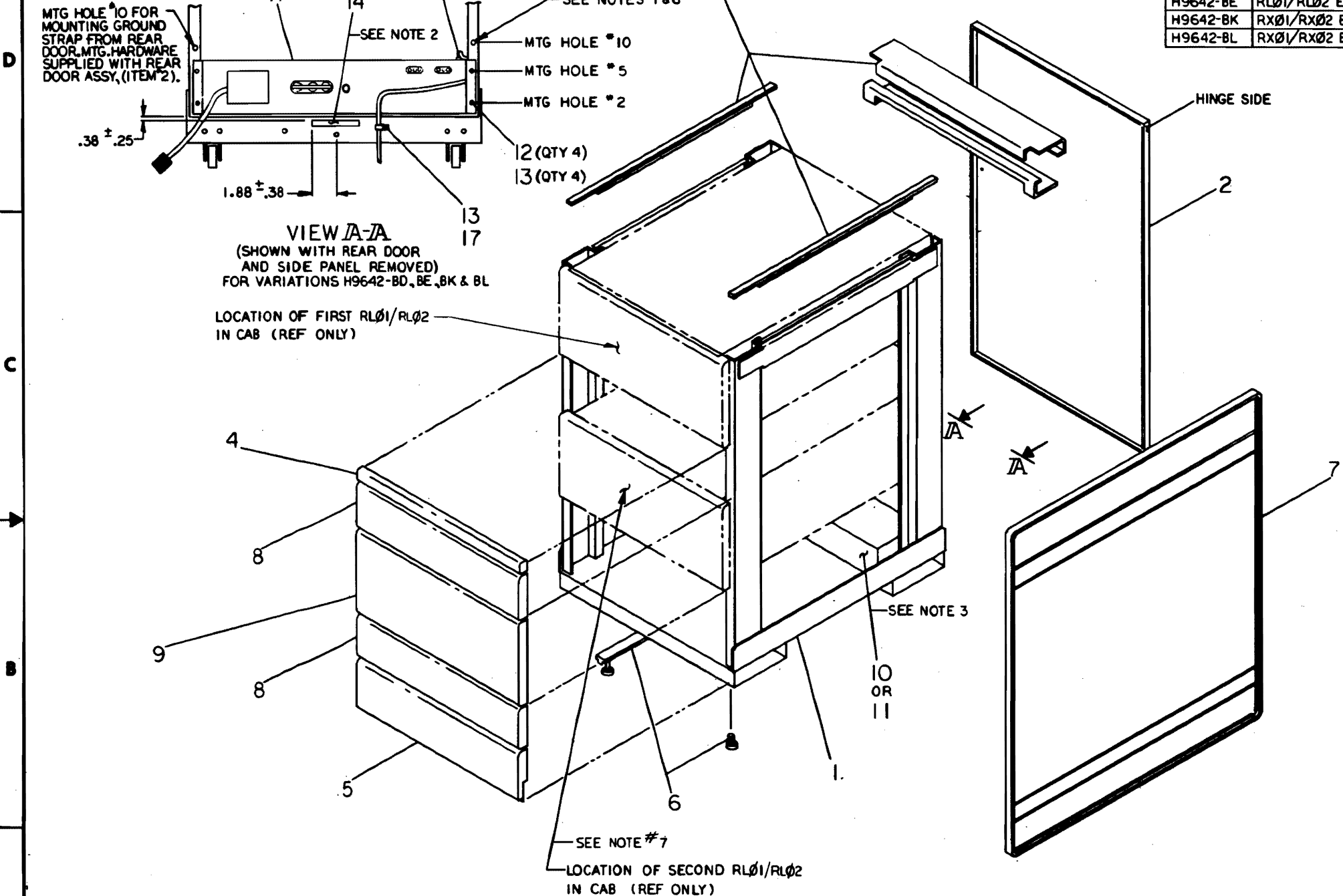
NUMBER
H9642-B

REV
C

THIS DRAWING AND SPECIFICATIONS HEREIN ARE THE PROPERTY OF DIGITAL EQUIPMENT CORPORATION AND SHALL NOT BE REPRODUCED OR COPIED OR USED IN WHOLE OR IN PART AS THE BASIS FOR THE MANUFACTURE OR SALE OF ITEMS WITHOUT WRITTEN PERMISSION. COPYRIGHT © 1979, DIGITAL EQUIPMENT CORPORATION.

VARIATION LEGEND			
NUMBER	VARIATION	VOLTS	HZ
H9642-BD	RLØ1/RLØ2 EXPAN. CAB	12ØV	6ØHZ
H9642-BE	RLØ1/RLØ2 EXPAN. CAB	24ØV	5ØHZ
H9642-BK	RXØ1/RXØ2 EXPAN. CAB	12ØV	6ØHZ
H9642-BL	RXØ1/RXØ2 EXPAN. CAB	24ØV	5ØHZ

- NOTES:**
1. MTG. HOLES *10 AND *58 ON RIGHT REAR UPRIGHT USED FOR MOUNTING DOOR STOPS FOR REAR DOOR, VARIATIONS H9642-BD&BE.
 2. INFORMATION TO BE TYPED ON IDENT. LABEL (ITEM*14) TO BE OBTAINED FROM VARIATION LEGEND. THE SPACE ON THE LABEL FOR SERIAL NO. IS TO BE LEFT BLANK.
 3. IF POWER CONTROL, (ITEM 10 OR 11) HAS A PAINTED MOUNTING SURFACE, A GROUND STRAP IS REQUIRED.
 4. INSTALL CABLE ASSY., (ITEM*19) TO POWER CONTROL, (ITEM*10 OR*11) AS SHOWN. EXCESS CABLE TO BE LOOPED AND SECURED TO RIGHT REAR UPRIGHT USING CABLE TIES AND PUSHMOUNTS AS SHOWN, TYP. ALL VARIATIONS.
 5. ATTACH BUMPER KIT ENVELOPE, (ITEM*25) TO INSIDE OF REAR DOOR, (ITEM*2) AS SHOWN, USING CABLE TIE, (ITEM*15). ENVELOPE TO BE SECURED TIGHTLY TO DOOR FOR SHIPPING.
 6. MTG. HOLES *10 AND *53 ON RIGHT REAR UPRIGHT USED FOR MOUNTING DOOR STOPS FOR REAR DOOR, VARIATIONS H9642-BK & BL.
 7. THE POSITIONING OF THE LOWER RLØ1/RLØ2 (IF APPLICABLE) IS RE-CONFIGURABLE TO MEET VARIOUS APPLICATION REQUIREMENTS. EXAMPLE: THE LOWER RLØ1/RLØ2 MAY BE MOUNTED DIRECTLY BELOW ITEM*4.



THIS CONFIGURATION IS FOR H9642-BD & BE ONLY

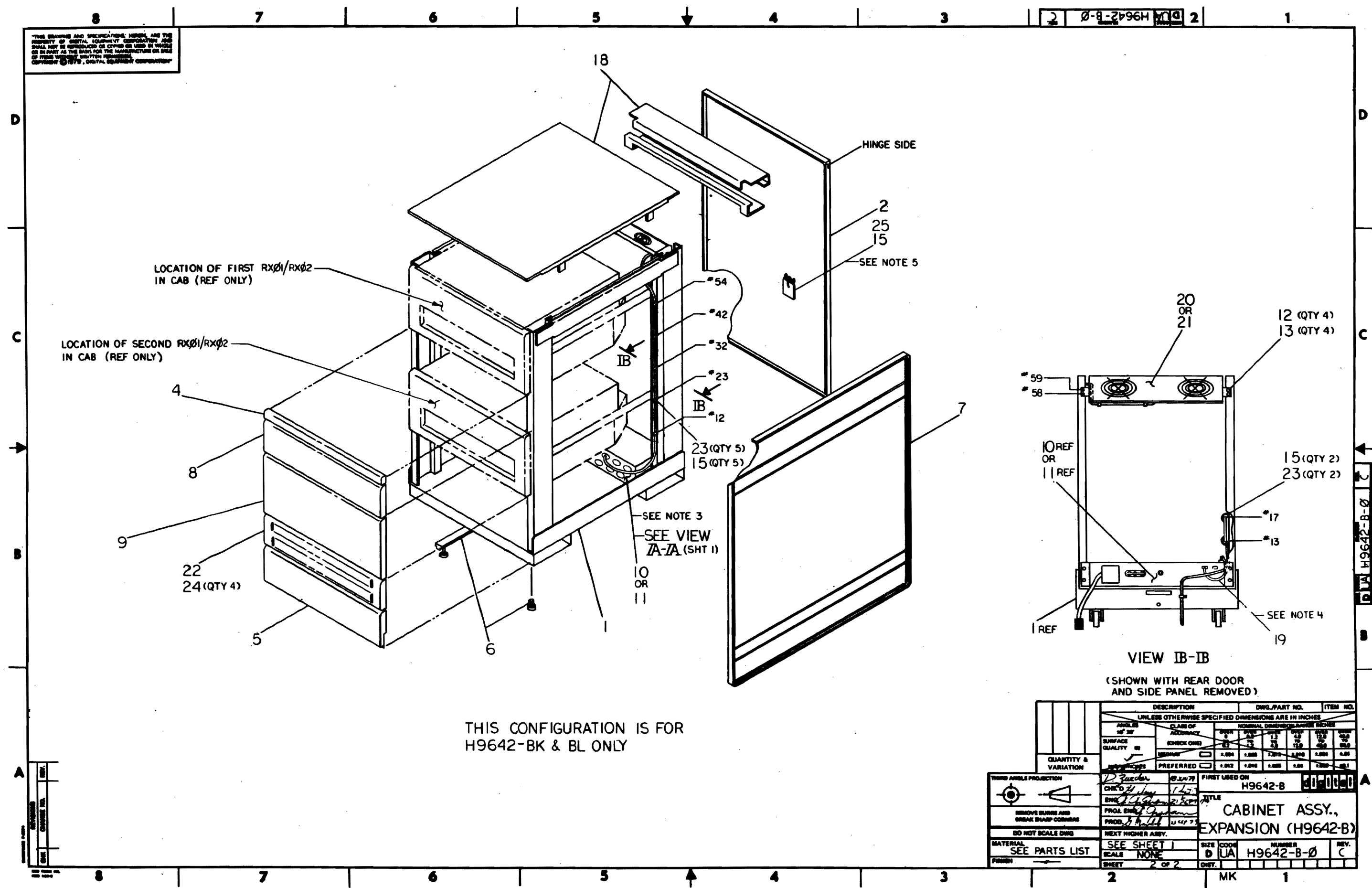
CAUTION: FOR OFF SHEET PARTS LIST, SEE : K-PL-H9642-B-DBP.

REV.	DESCRIPTION	DATE	BY	CHK'D
1	H9642-B-MKØ1 A			
2	H9642-B-MKØ2 B			
3	H9642-B-MKØ3 C			
4	H9642-B-MKØ4 D			
5	H9642-B-MKØ5 E			
6	H9642-B-MKØ6 F			
7	H9642-B-MKØ7 G			
8	H9642-B-MKØ8 H			

DESCRIPTION	DWG./PART NO.	ITEM NO.
UNLESS OTHERWISE SPECIFIED DIMENSIONS ARE IN INCHES		
ANGLES Ø 2Ø	CLASS OF ACCURACY	NOMINAL DIMENSION RANGE INCHES
SURFACE QUALITY	(CHECK ONE)	0.001 - 0.002
QUANTITY & VARIATION	PREFERRED	0.002 - 0.003
THIRD ANGLE PROJECTION	PROJ. ETH. 1st Angle	0.003 - 0.004
REMOVE BURRS AND BREAK SHARP CORNERS	PROD. 11/11/79	0.004 - 0.005
DO NOT SCALE DWG	NEXT HIGHER ASSY.	0.005 - 0.006
MATERIAL SEE PARTS LIST	B-DD-H9642-B	0.006 - 0.007
FINISH	SCALE NONE	0.007 - 0.008
	SHEET OF 2	0.008 - 0.009
		0.009 - 0.010
		0.010 - 0.012
		0.012 - 0.015
		0.015 - 0.020
		0.020 - 0.030
		0.030 - 0.040
		0.040 - 0.050
		0.050 - 0.060
		0.060 - 0.070
		0.070 - 0.080
		0.080 - 0.090
		0.090 - 0.100
		0.100 - 0.125
		0.125 - 0.150
		0.150 - 0.175
		0.175 - 0.200
		0.200 - 0.250
		0.250 - 0.300
		0.300 - 0.375
		0.375 - 0.450
		0.450 - 0.500
		0.500 - 0.625
		0.625 - 0.750
		0.750 - 0.875
		0.875 - 1.000
		1.000 - 1.250
		1.250 - 1.500
		1.500 - 2.000
		2.000 - 3.000
		3.000 - 4.000
		4.000 - 6.000
		6.000 - 10.000
		10.000 - 16.000
		16.000 - 25.000
		25.000 - 40.000
		40.000 - 60.000
		60.000 - 100.000
		100.000 - 160.000
		160.000 - 250.000
		250.000 - 400.000
		400.000 - 600.000
		600.000 - 1000.000
		1000.000 - 1600.000
		1600.000 - 2500.000
		2500.000 - 4000.000
		4000.000 - 6000.000
		6000.000 - 10000.000
		10000.000 - 16000.000
		16000.000 - 25000.000
		25000.000 - 40000.000
		40000.000 - 60000.000
		60000.000 - 100000.000
		100000.000 - 160000.000
		160000.000 - 250000.000
		250000.000 - 400000.000
		400000.000 - 600000.000
		600000.000 - 1000000.000
		1000000.000 - 1600000.000
		1600000.000 - 2500000.000
		2500000.000 - 4000000.000
		4000000.000 - 6000000.000
		6000000.000 - 10000000.000
		10000000.000 - 16000000.000
		16000000.000 - 25000000.000
		25000000.000 - 40000000.000
		40000000.000 - 60000000.000
		60000000.000 - 100000000.000
		100000000.000 - 160000000.000
		160000000.000 - 250000000.000
		250000000.000 - 400000000.000
		400000000.000 - 600000000.000
		600000000.000 - 1000000000.000
		1000000000.000 - 1600000000.000
		1600000000.000 - 2500000000.000
		2500000000.000 - 4000000000.000
		4000000000.000 - 6000000000.000
		6000000000.000 - 10000000000.000
		10000000000.000 - 16000000000.000
		16000000000.000 - 25000000000.000
		25000000000.000 - 40000000000.000
		40000000000.000 - 60000000000.000
		60000000000.000 - 100000000000.000
		100000000000.000 - 160000000000.000
		160000000000.000 - 250000000000.000
		250000000000.000 - 400000000000.000
		400000000000.000 - 600000000000.000
		600000000000.000 - 1000000000000.000
		1000000000000.000 - 1600000000000.000
		1600000000000.000 - 2500000000000.000
		2500000000000.000 - 4000000000000.000
		4000000000000.000 - 6000000000000.000
		6000000000000.000 - 10000000000000.000
		10000000000000.000 - 16000000000000.000
		16000000000000.000 - 25000000000000.000
		25000000000000.000 - 40000000000000.000
		40000000000000.000 - 60000000000000.000
		60000000000000.000 - 100000000000000.000
		100000000000000.000 - 160000000000000.000
		160000000000000.000 - 250000000000000.000
		250000000000000.000 - 400000000000000.000
		400000000000000.000 - 600000000000000.000
		600000000000000.000 - 1000000000000000.000
		1000000000000000.000 - 1600000000000000.000
		1600000000000000.000 - 2500000000000000.000
		2500000000000000.000 - 4000000000000000.000
		4000000000000000.000 - 6000000000000000.000
		6000000000000000.000 - 10000000000000000.000
		10000000000000000.000 - 16000000000000000.000
		16000000000000000.000 - 25000000000000000.000
		25000000000000000.000 - 40000000000000000.000
		40000000000000000.000 - 60000000000000000.000
		60000000000000000.000 - 100000000000000000.000
		100000000000000000.000 - 160000000000000000.000
		160000000000000000.000 - 250000000000000000.000
		250000000000000000.000 - 400000000000000000.000
		400000000000000000.000 - 600000000000000000.000
		600000000000000000.000 - 1000000000000000000.000
		1000000000000000000.000 - 1600000000000000000.000
		1600000000000000000.000 - 2500000000000000000.000
		2500000000000000000.000 - 4000000000000000000.000
		4000000000000000000.000 - 6000000000000000000.000
		6000000000000000000.000 - 10000000000000000000.000
		10000000000000000000.000 - 16000000000000000000.000
		16000000000000000000.000 - 25000000000000000000.000
		25000000000000000000.000 - 40000000000000000000.000
		40000000000000000000.000 - 60000000000000000000.000
		60000000000000000000.000 - 100000000000000000000.000
		100000000000000000000.000 - 160000000000000000000.000
		160000000000000000000.000 - 250000000000000000000.000
		250000000000000000000.000 - 400000000000000000000.000
		400000000000000000000.000 - 600000000000000000000.000
		600000000000000000000.000 - 1000000000000000000000.000
		1000000000000000000000.000 - 1600000000000000000000.000
		1600000000000000000000.000 - 2500000000000000000000.000
		2500000000000000000000.000 - 4000000000000000000000.000
		4000000000000000000000.000 - 6000000000000000000000.000
		6000000000000000000000.000 - 10000000000000000000000.000
		10000000000000000000000.000 - 16000000000000000000000.000
		16000000000000000000000.000 - 25000000000000000000000.000
		25000000000000000000000.000 - 40000000000000000000000.000
		40000000000000000000000.000 - 60000000000000000000000.000
		60000000000000000000000.000 - 100000000000000000000000.000
		100000000000000000000000.000 - 160000000000000000000000.000
		160000000000000000000000.000 - 250000000000000000000000.000
		250000000000000000000000.000 - 400000000000000000000000.000
		400000000000000000000000.000 - 600000000000000000000000.000
		600000000000000000000000.000 - 1000000000000000000000000.000
		1000000000000000000000000.000 - 1600000000000000000000000.000
		1600000000000000000000000.000 - 2500000000000000000000000.000
		2500000000000000000000000.000 - 4000000000000000000000000.000
		4000000000000000000000000.000 - 6000000000000000000000000.000
		6000000000000000000000000.000 - 10000000000000000000000000.000
		10000000000000000000000000.000 - 16000000000000000000000000.000
		16000000000000000000000000.000 - 25000000000000000000000000.000
		25000000000000000000000000.000 - 40000000000000000000000000.000
		40000000000000000000000000.000 - 60000000000000000000000000.000
		60000000000000000000000000.000 - 100000000000000000000000000.000
		100000000000000000000000000.000 - 160000000000000000000000000.000
		160000000000000000000000000.000 - 250000000000000000000000000.000
		250000000000000000000000000.000 - 400000000000000000000000000.000
		400000000000000000000000000.000 - 600000000000000000000000000.000
		600000000000000000000000000.000 - 1000000000000000000000000000.000
		1000000000000000000000000000.000 - 1600000000000000000000000000.000
		1600000000000000000000000000.000 - 2500000000000000000000000000.000
		2500000000000000000000000000.000 - 4000000000000000000000000000.000
		4000000000000000000000000000.000 - 6000000000000000000000000000.000
		6000000000000000000000000000.000 - 10000000000000000000000000000.000
		10000000000000000000000000000.000 - 16000000000000000000000000000.000
		16000000000000000000000000000.000 - 25000000000000000000000000000.000
		25000000000000000000000000000.000 - 40000000000000000000000000000.000
		40000000000000000000000000000.000 - 60000000000000000000000000000.000
		60000000000000000000000000000.000 - 100000000000000000000000000000.000
		10000000000000

THE DRAWING AND SPECIFICATIONS HEREIN ARE THE PROPERTY OF DIGITAL EQUIPMENT CORPORATION AND SHALL NOT BE REPRODUCED OR COPIED OR USED IN WHOLE OR IN PART AS THE BASIS FOR THE MANUFACTURE OR SALE OF ITEMS WITHOUT WRITTEN PERMISSION. COPYRIGHT © 1979, DIGITAL EQUIPMENT CORPORATION.

0-8-2496H 2



THIS CONFIGURATION IS FOR H9642-BK & BL ONLY

DESCRIPTION		DWG./PART NO.		ITEM NO.
UNLESS OTHERWISE SPECIFIED DIMENSIONS ARE IN INCHES				
ANGLE	CLASS OF ACCURACY	NORMAL DIMENSIONAL TOLERANCES		
# 20		FR	FIN	ST
SURFACE QUALITY	EDCHECK ONE	0.004	0.003	0.002
FINISH	PREFERRED	0.002	0.001	0.001
THIRD ANGLE PROJECTION	REMOVE BURRS AND BREAK SHARP CORNERS	DO NOT SCALE DWG	MATERIAL SEE PARTS LIST	SCALE SHEET 1
QUANTITY & VARIATION	SEE NOTE 3	SEE VIEW ZA-ZA (SHT 1)	SEE NOTE 4	SEE NOTE 5
FINISH	SEE PARTS LIST	SCALE NONE	SHEET 2 OF 2	CHK'D BY [Signature]
				ENG. [Signature]
				PROD. [Signature]
				DATE 11/27/79
				FIRST USED ON H9642-B
				TITLE CABINET ASSY., EXPANSION (H9642-B)
				SIZE D U A
				NUMBER H9642-B-Ø
				REV. C
				DRY. MK

DIGITAL EQUIPMENT CORPORATION PARTS LIST				QUANTITY / VARIATION										NOTES:			
MADE BY <i>D. Zuccher</i>		CHECKED <i>C. Ho</i>															
DATE <i>18 SEPT 79</i>		DATE <i>21-SEPT-79</i>															
ENG <i>J. Graham</i>		PROD <i>E. Magulab</i>															
DATE <i>21 SEPT 79</i>		DATE <i>21-SEPT-79</i>												REF DESIGNATION			
ITEM NO.	DRAWING NO.	PART NO.	DESCRIPTION	H9642-BD	H9642-BE	H9642-BK	H9642-BL										
1		MP00779	H9642-B PRINT SET ORDER NO.	1	1	1	1										

E.C.O. NO.

"THIS DRAWING AND SPECIFICATIONS, HEREIN, ARE THE PROPERTY OF DIGITAL EQUIPMENT CORPORATION AND SHALL NOT BE REPRODUCED OR COPIED OR USED IN WHOLE OR IN PART AS THE BASIS FOR THE MANUFACTURE OR SALE OF ITEMS WITHOUT WRITTEN PERMISSION. COPYRIGHT © 1979 DIGITAL EQUIPMENT CORPORATION"

TITLE
SHIPPING LIST, H9642-B

ASSY NO. NONE
SHEET 1 OF 1

SIZE B CODE PL NUMBER H9642-B

REV. *