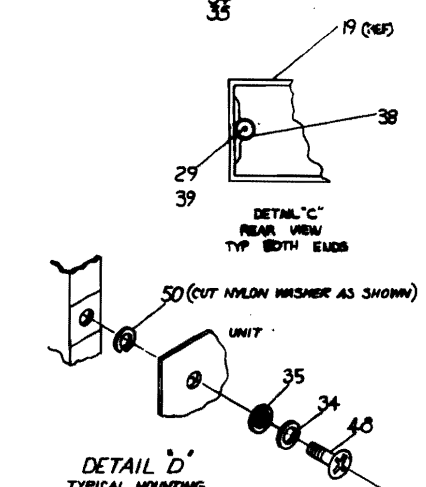
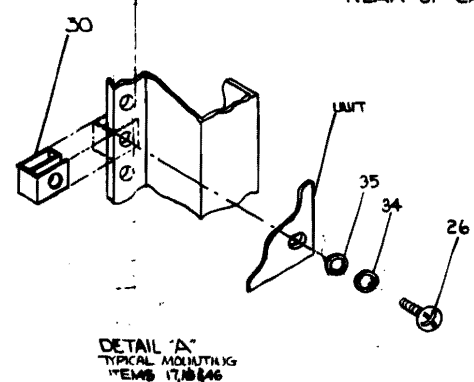
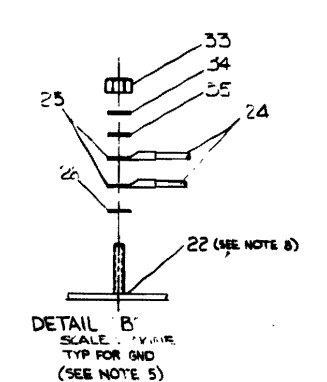
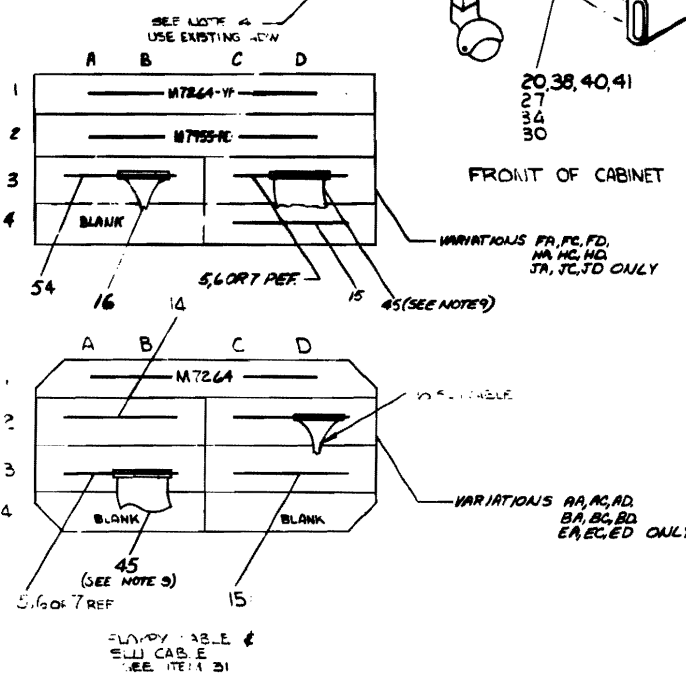
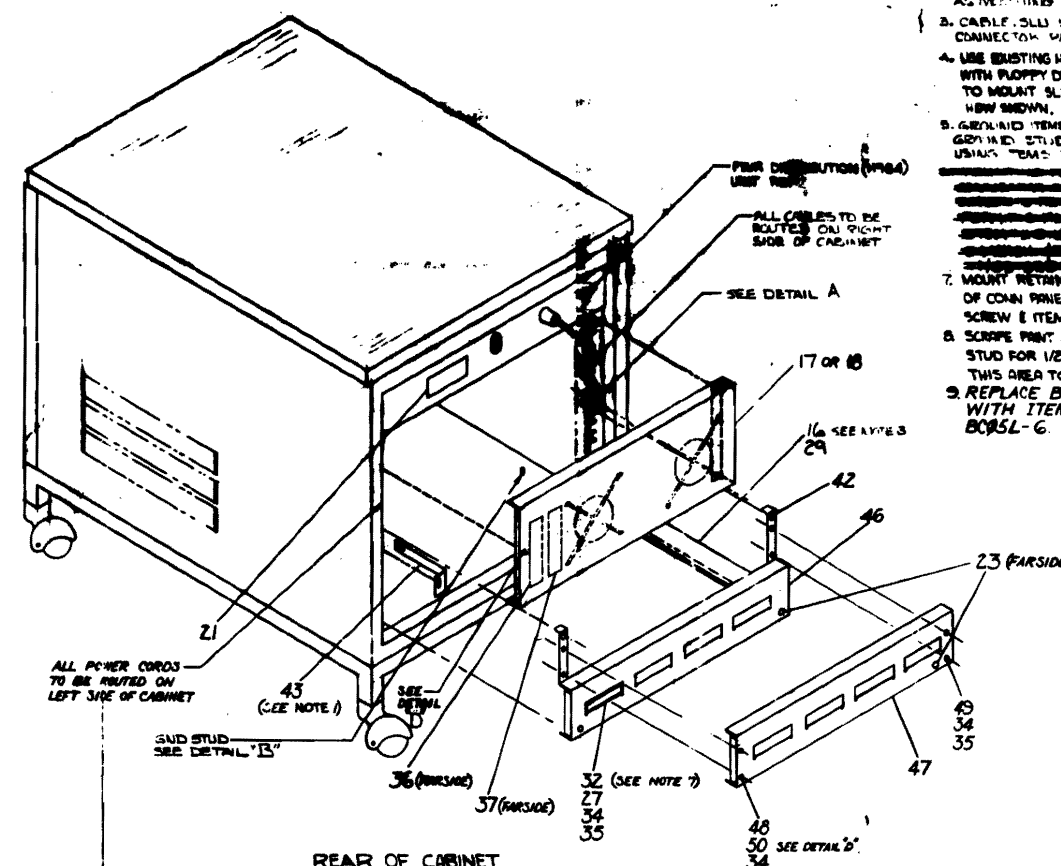
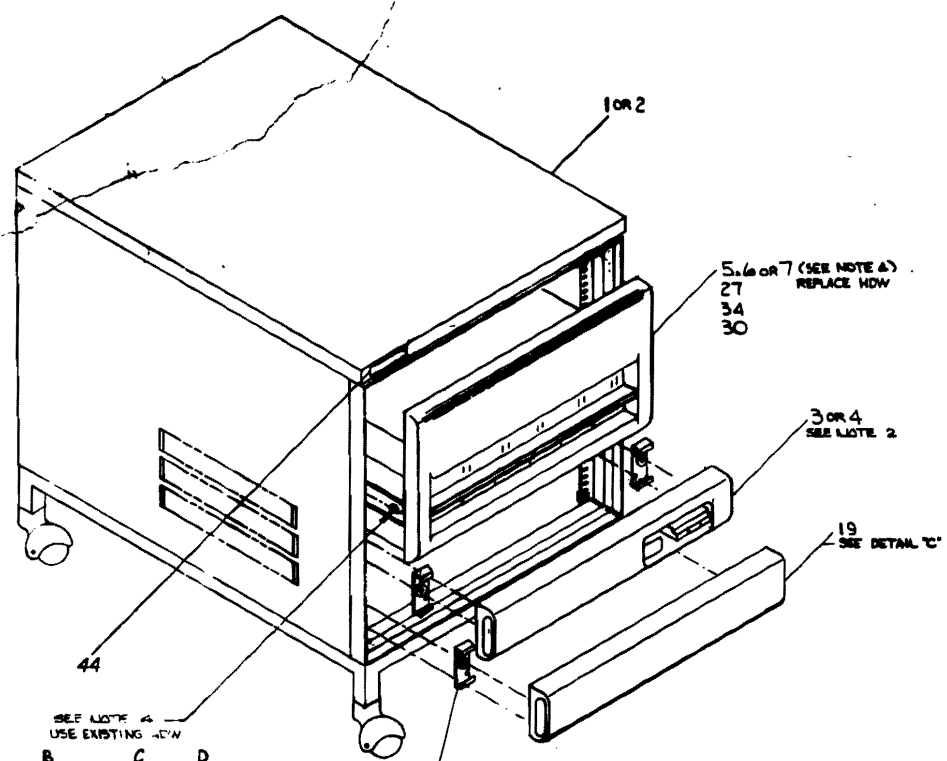


NOTES:

1. REPLACE SHIPPING BRACKET 24350 SUPPLIED WITH ITEMS 3, 6 OR 7 WITH ITEM 43, RETAINER BRACKET.
2. CABINET MOUNTING HARDWARE, PRT. 11703 IS SUPPLIED WITH THE 11703 AS MOUNTING BRACKET KIT (A-P-70100000).
3. CABLE SLID ITEM 16 ADJUSTED TO CONNECTOR WALK 111446 USING TEMPL. 111446.
4. USE EXISTING HOW TO MOUNT SLIDES SUPPLIED WITH FLOPPY DRIVE ITEMS 5, 6, 7. REPLACE HOW TO MOUNT SLIDES FRONT & REAR WITH HOW SHOWN.
5. OPTIONAL ITEMS/ASSEMBLIES AVAILABLE: GROUND STUD (PART NUMBER 111111) USING TEMP. 111111 (SEE DETAIL B).
6. MOUNT RETAINING RIBBLE ITEM 32 ON FRONT OF COIN PANEL ITEM 46 USING ITEM 27 SCREW & ITEM 34 & 35 WASHERS.
7. SCREWS POINT AWAY FROM THE EDGE OF THE GND STUD FOR 1/2" O.D. AREA. APPLY ITEM 22 TO THIS AREA TO PREVENT CORROSION.
8. REPLACE BC05L-15 CABLE SUPPLIED WITH ITEM 3, 6, OR 7 WITH ITEM 45, BC05L-6.



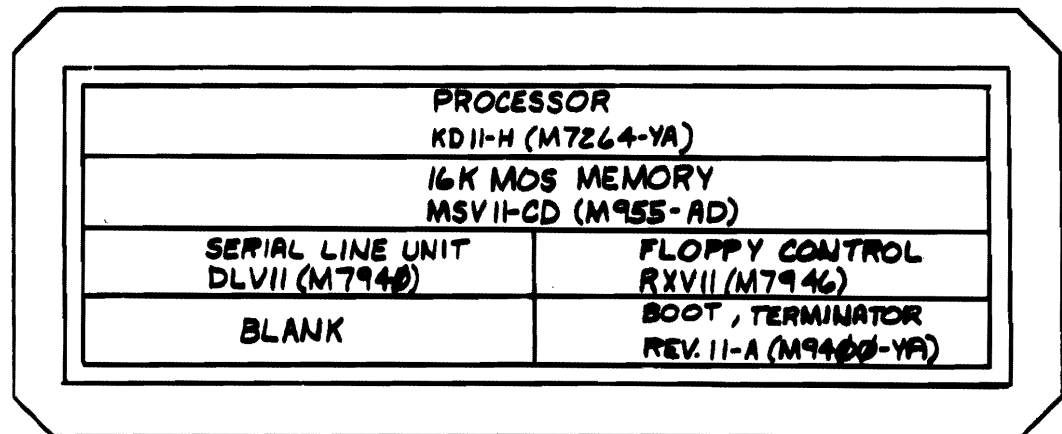
OFF SHIT PL EXISTS, SEE C-PL-1103-B-0

QTY	DESCRIPTION	UNIT	ITEM NO.
1	UNIT ASSY.		11V03
1	UNIT ASSY.		11V03

UNIT ASSY. 11V03

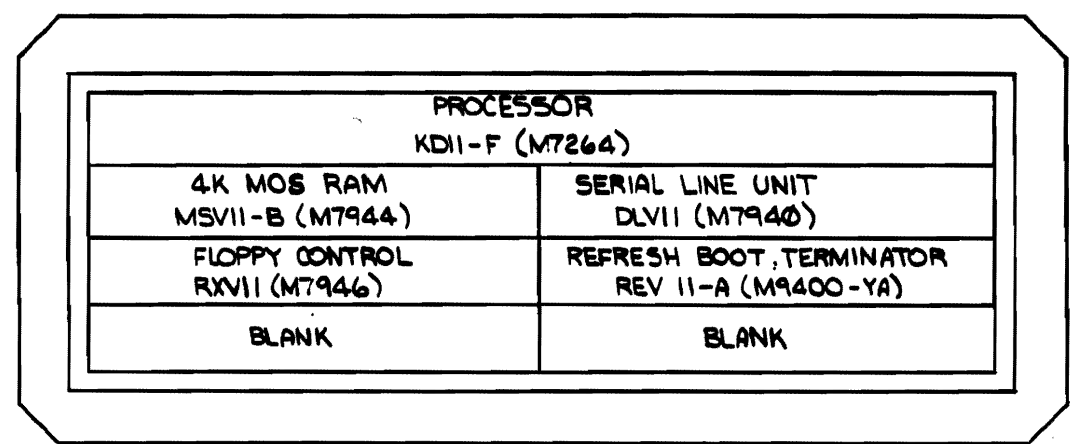
11V03-0-0

"THIS DRAWING AND SPECIFICATIONS, HEREIN, ARE THE PROPERTY OF DIGITAL EQUIPMENT CORPORATION AND SHALL NOT BE REPRODUCED OR COPIED OR USED IN WHOLE OR IN PART AS THE BASIS FOR THE MANUFACTURE OR SALE OF ITEMS WITHOUT WRITTEN PERMISSION. COPYRIGHT © 1976, DIGITAL EQUIPMENT CORPORATION"



1
2
3
4

VARIATIONS 11V03-FA, FC, FD,
HA, HC, HD,
JA, JC, JD,



1
2
3
4

VARIATIONS 11V03-AA, AC, AD,
BA, BC, BD,
EA, EC, ED,

VIEW FROM MODULE SIDE
OF BACKPLANE

D
C
B
A

D
C
B
A

REVISIONS	CHANGE NO.	REV.
CHK	11V03-00007	A
	<i>R. Lewis</i>	<i>4 Mar 77</i>
	<i>R. Lewis</i>	<i>4 Mar 77</i>

DEC FORM NO. DRC 100 B

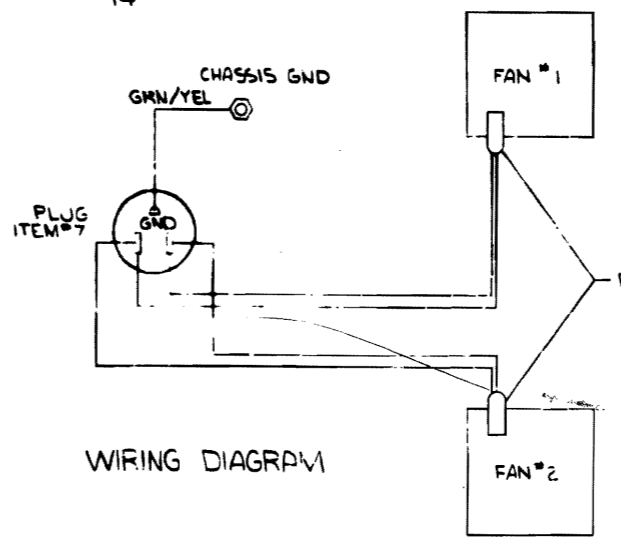
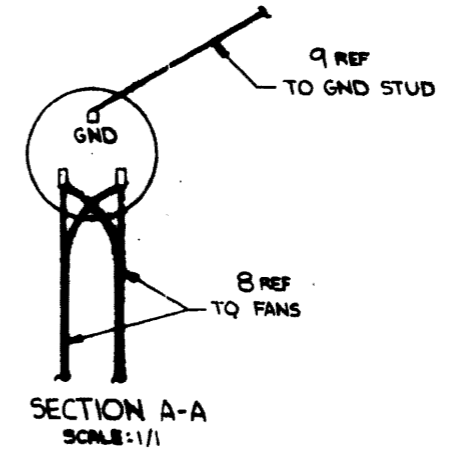
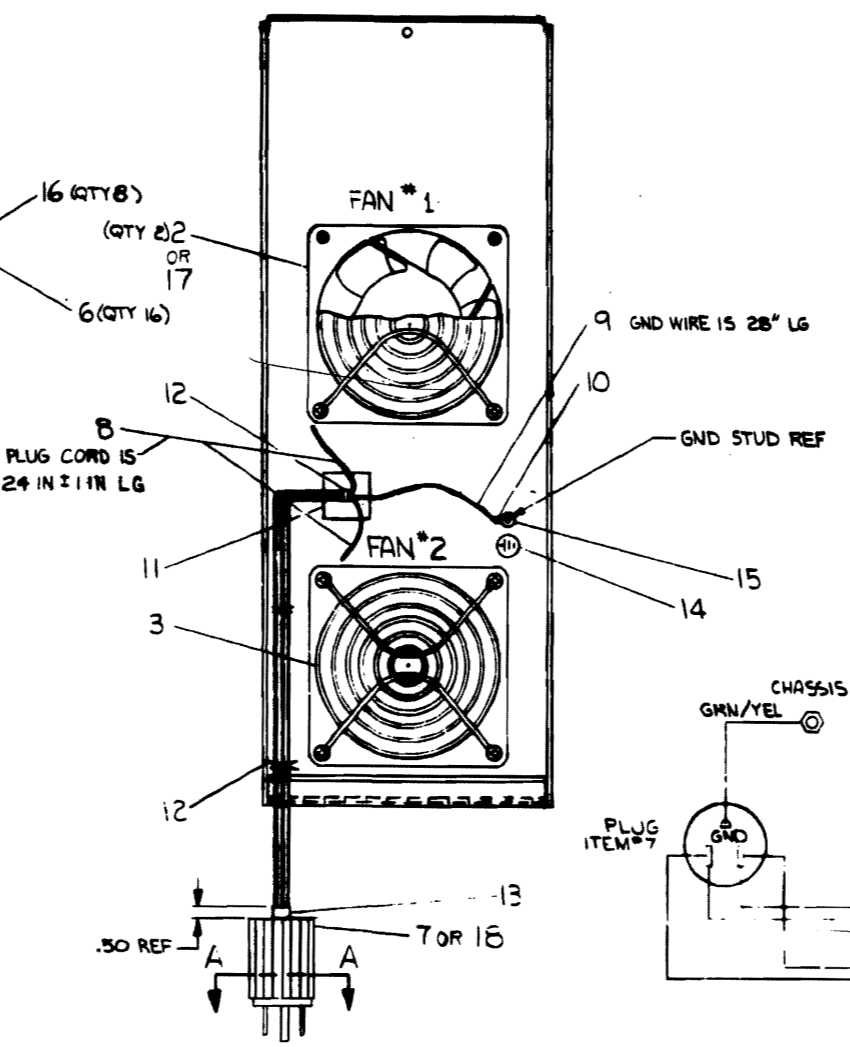
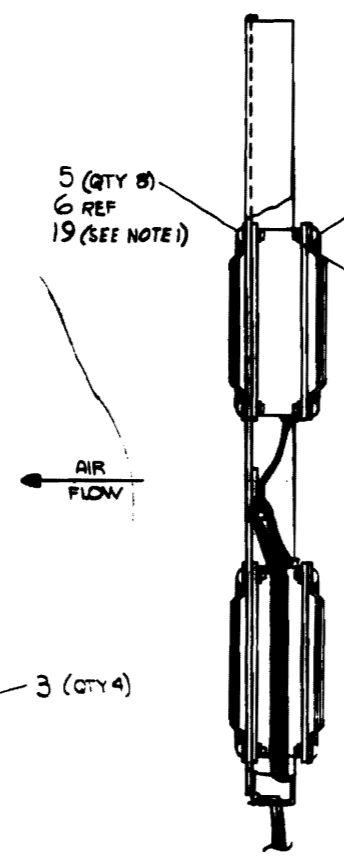
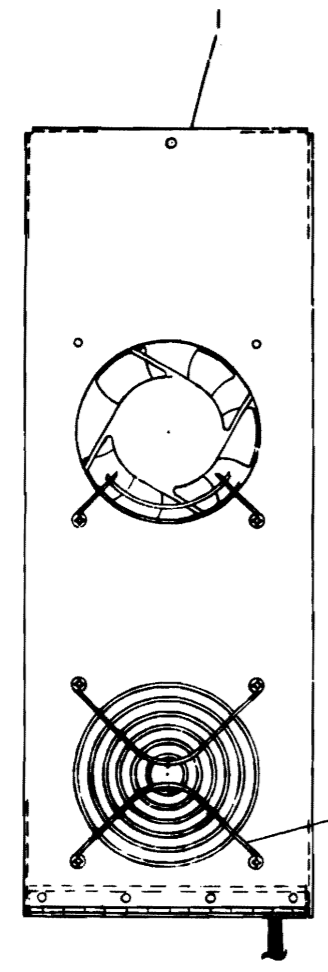
FIRST USED ON OPTION/MODEL	QTY.	DESCRIPTION	PART NO.	ITEM NO.
11V03		PARTS LIST		
UNLESS OTHERWISE SPECIFIED DIMENSION IN INCHES	DRN: <i>R. Lewis</i>	DATE: 11 FEB 76	 TITLE MODULE UTILIZATION (11V03)	
TOLERANCES	CHK'D: <i>J. Steady</i>	DATE: 23 FEB 76		
DECIMALS	ENG. ME: <i>M. Lewis</i>	DATE: 24 FEB 76		
ANGLES	PROJ. ENG.: <i>M. Lewis</i>	DATE: 24 FEB 76		
.xxx = .005 .xx = .02 .x = .1	PROD.: <i>J. Rogers</i>	DATE: 26 FEB 76		
REMOVE BURRS AND BREAK SHARP CORNERS SURFACE QUALITY ✓	NEXT HIGHER ASSY.		SIZE CODE	NUMBER
MATERIAL	B-DD-11V03-0		C MU	11V03-0-1
FINISH	SCALE: + +		REV.	A
	SHEET 1 OF 1	DIST.		

4 3 2 1

THE DRAWING AND DIMENSIONS HEREIN ARE THE PROPERTY OF THE UNITED STATES GOVERNMENT AND ARE TO BE USED ONLY FOR THE PURPOSES AUTHORIZED BY CONTRACT.

LEGEND	
VARIATION	DESCRIPTION
7012438-0	FAN PANEL ASSY 115V
7012438-1	FAN PANEL ASSY 230V

NOTES:
1. LOCKWASHER, ITEM #19 TO BE PLACED BETWEEN FINGER GUARD, ITEM #3, AND FAN PANEL, ITEM #1.



QTY	DESCRIPTION	DWG. PART NO.	ITEM NO.
8	LOCKWASHER, EXTERNAL TOOTH #6	5007649	19
1	PLUG, 3 WIRE, 15A, 250V	9008853	18
8	FAN, 230V	1213261	17
8	SCREW, PHL PAN HD #6-32 X .50 LG	9006024-1	16
1	NUT #10-32 YEP	9006565	15
1	DECAL, GND SAFETY	361260-00	14
A/R	TUBING, HEAT SHRINK WHT	9107252-09	13
A/R	TIE, CABLE	9007031	12
1	MOUNT, TIE ADHESIVE BACK	9008263	11
1	RING, TERMINAL - BLUE	9007928-00	10
A/R	WIRE, 14 AWG STRD GRN/YEL	9107777-54	9
2	ASSY, PLUG CORD	1210263	8
1	PLUG, 3 WIRE - 15A - 125V	1008438	7
16	NUT #6-32 KEP	9008185	6
8	SCREW, PHL PAN HD #6-32 X .50 LG	9007793-1	5
4	GUARD, FINGER (FIGURE 1)	1210263	3
2	FAN, 115	1213185	2
1	PANEL, BRACKET ASSY	0-1A-7012438-0-0	1

REV	DATE	BY	CHKD	APP'D	DESCRIPTION
1	11/13/53	MELEWANSKI			REVISED TO 230V
2	11/13/53	MELEWANSKI			REVISED TO 115V
3	11/13/53	MELEWANSKI			REVISED TO 115V
4	11/13/53	MELEWANSKI			REVISED TO 115V
5	11/13/53	MELEWANSKI			REVISED TO 115V
6	11/13/53	MELEWANSKI			REVISED TO 115V
7	11/13/53	MELEWANSKI			REVISED TO 115V

7012438-1	7012438-0	7012438-0
QUANTITY & VARIATION	DESCRIPTION	DWG. PART NO. ITEM NO.
UNLESS OTHERWISE SPECIFIED DIMENSIONS ARE IN INCHES		
ANGLES OF 20	CLASS OF ACCURACY	CHECK ONE
SURFACE QUALITY IN	MEDIUM	1.000 1.000 1.000 1.000 1.000 1.000
MICROINCHES	PREFERRED	1.000 1.000 1.000 1.000 1.000 1.000
THIRD ANGLE PROJECTION	DRAWN BY	DATE
REMOVE BURRS AND BREAK SHARP CORNERS	CHK'D BY	FIRST USED ON
DO NOT SCALE DIMS	PHG. ENG. BY	TITLE
MATERIAL SEE PARTS LIST	PROD. BY	ASSY, FAN PANEL
FORM 1	NEXT HIGHER ASSY.	E-UA-11V03-0-0
SCALE 1/2	SIZE CODE	D 1-7012438-0-0
SHEET 1 OF 1	REV.	F

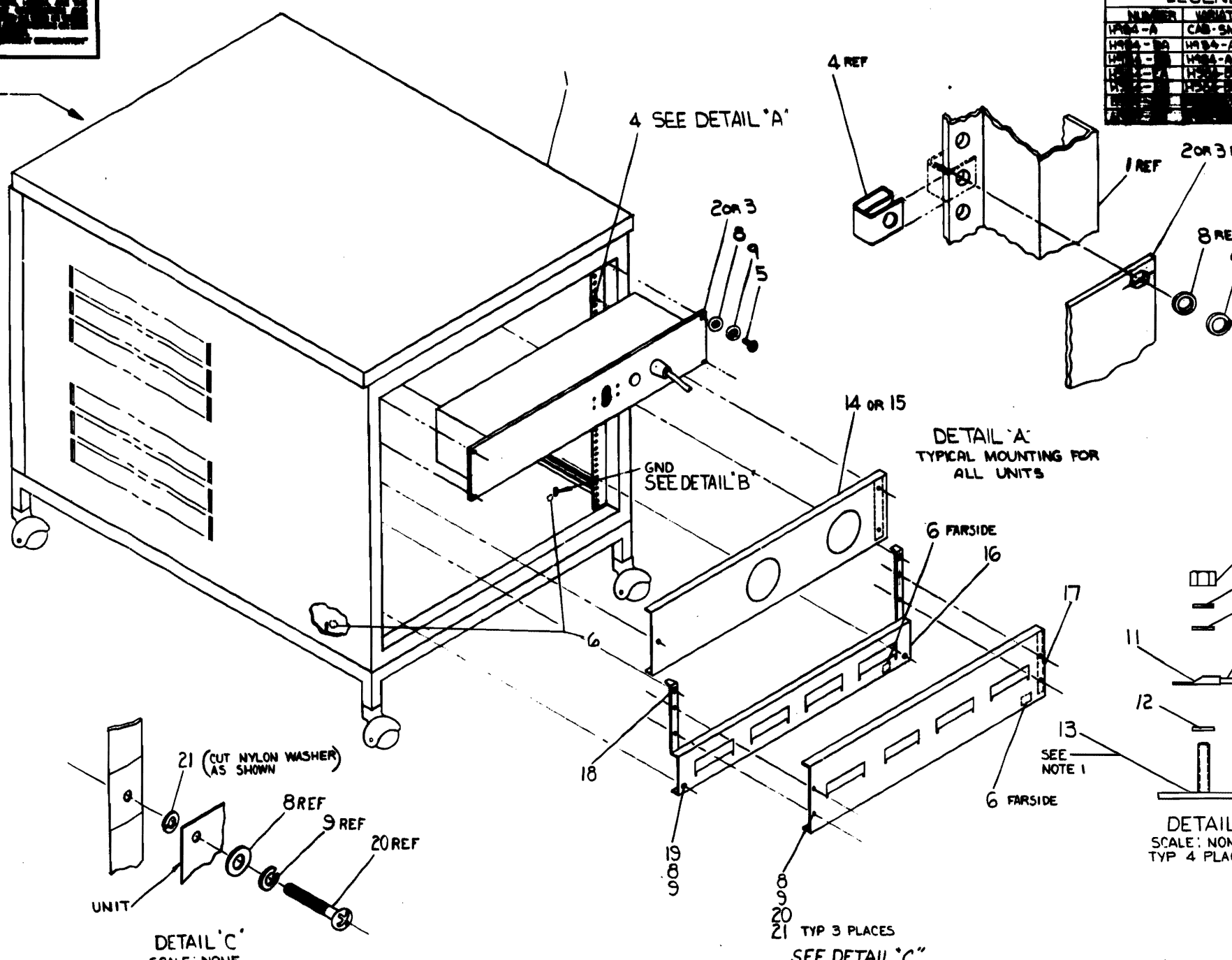
0-0-786H 10 2 1

THIS DRAWING AND SPECIFICATIONS ARE THE PROPERTY OF THE U.S. GOVERNMENT AND ARE TO BE REPRODUCED IN WHOLE OR IN PART AS THE BASIS OF OTHER DRAWINGS OR SPECIFICATIONS WITHOUT PERMISSION.

NUMBER	VARIATION
H984-A	CAB. SMALL SYSTEMS
H984-B	H984-A / 115V P.C.
H984-C	H984-A / 230V P.C.
H984-D	H984-A / FAN & CONN.
H984-E	H984-A / FAN & CONN.

- NOTES:**
- GROUND ITEM 2 OR 3 TO AVAILABLE GND STUDS ON CABINET (ITEM 1) USING ITEMS 11&12 (SEE DETAIL B).
 - SCRAPE PAINT FROM THE BASE OF THE GND STUD FOR 1/2" O.D. AREA. APPLY ITEM 13 TO THIS AREA TO PREVENT CORROSION.
 - REMOVE RETMA RAIL (REAR LEFT) AND INSTALL POWER STRIP (ITEM 24 OR 25) AS SHOWN IN DETAIL "C" ON SECOND SHEET. THEN REPLACE MTG. OF RETMA RAIL AS BEFORE WITH ITS CORRECT HARDWARE. SEE SHEET 2 OF 2 FOR FURTHER DETAILS.

FRONT OF CABINET



QTY	DESCRIPTION	UNIT	PART NO.	ITEM NO.
1	CABINET SMALL SYSTEMS		E-PS-343007-02	26
1	STRIP POWER 250V		E-PS-1214487-01	25
1	STRIP POWER 125V		E-PS-1214487-00	24
2	NUT KEPS 1/4-20		9008203-00	23
2	STUD CHANNEL NUT 1/4-20		9009954	22
3	WASHER, NYLON #6		9006707	21
3	SCR, PHL HD TRUSS 10-32 x 1.125		9008009-03	20
2	SCR, PHL HD TRUSS 10-32 x 1.50		9006079-3	19
2	SCR, FLT. HD 100° 10-32 x .75		9000039-02	18
1	ASSY, CONN. PANEL		D-1A-7012871-0-0	17
1	FRAME, CONN. PANEL		E-1A-7416743-0-0	16
1	PANEL, FAN 230V		D-1A-7012438-1-0	15
1	PANEL, FAN 115V		D-1A-7012438-0-0	14
1	GREASE, CONDUCTIVE		7200016	13
2	WASHER, EXT TOOTH #10		9007651	12
2	TERMINAL, RING BLUE		9007324-00	11
2	NUT, HEX 10-32		9004564	10
6	WASHER, LOCK SPLIT #10		9007906	9
6	WASHER, FLAT #10		9006664	8
4	WIRE, STRANDED #14 GRN/YEL		9107777-54	7
2	DECAL, SAFETY GUID		3612624-01	6
4	SCR, PHL TRUSS HD 10-32 x .50 LD		9006073-3	5
4	NUT, #10		9007786	4
1	PANEL, POWER 230V		7012472-1	3
1	PANEL, POWER 115V		7012472-0	2
1	CABINET, SMALL SYSTEMS		E-PS-343007-0-0	1

REV.	DATE	BY	CHKD.	DESCRIPTION
1	10 FEB 74	R. LEWIS		INITIAL DESIGN
2	10 FEB 74	R. LEWIS		REVISED FOR MANUFACTURE
3	10 FEB 74	R. LEWIS		REVISED FOR MANUFACTURE
4	10 FEB 74	R. LEWIS		REVISED FOR MANUFACTURE
5	10 FEB 74	R. LEWIS		REVISED FOR MANUFACTURE
6	10 FEB 74	R. LEWIS		REVISED FOR MANUFACTURE
7	10 FEB 74	R. LEWIS		REVISED FOR MANUFACTURE

DESCRIPTION
UNLESS OTHERWISE SPECIFIED DIMENSIONS ARE IN INCHES

CLASS OF ACCURACY	1	2	3	4	5	6
SURFACE QUALITY IN MICRONS	0.004	0.003	0.002	0.001	0.001	0.001
PREFERRED	0.012	0.008	0.005	0.003	0.002	0.001

THIRD ANGLE PROJECTION
REMOVE BURRS AND BREAK SHARP CORNERS
DO NOT SCALE DIMS
MATERIAL SEE PARTS LIST
FINISH

DRN: R. LEWIS 10 FEB 74
CHKD: J. LEWIS 10 FEB 74
ENG: J. LEWIS 10 FEB 74
PROJ. ENG: J. LEWIS 10 FEB 74

FIRST USED ON: 11V03
TITLE: CABINET, POWER CONTROL
SCALE: NONE
SHEET: 1 OF 2

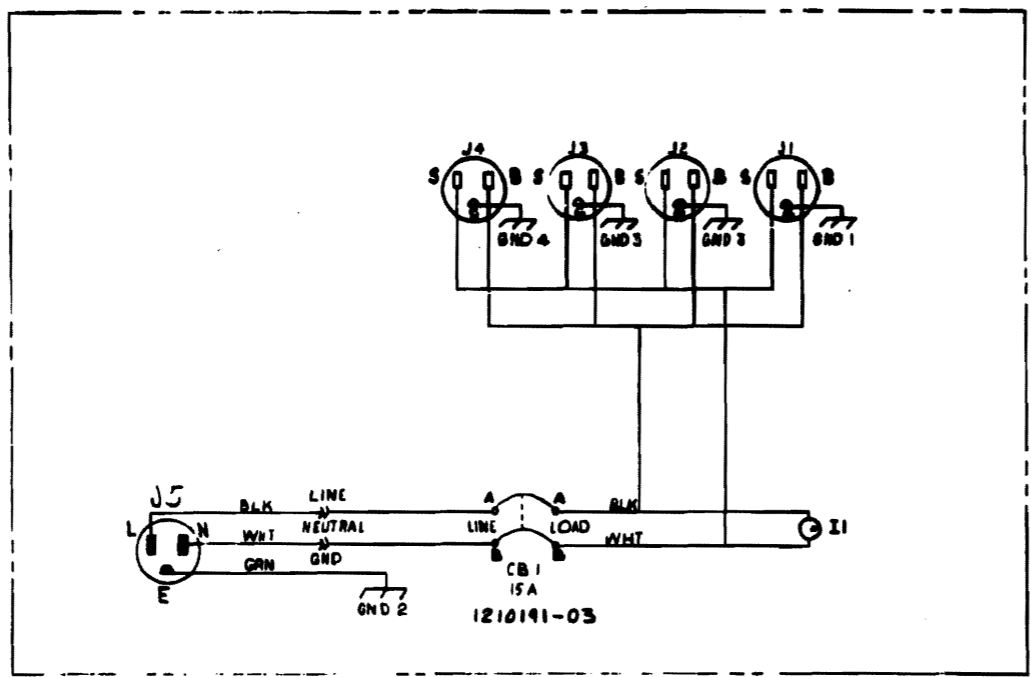
REV. C
DIA H984-0-0

THE DRAWING AND SPECIFICATIONS HEREIN ARE THE PROPERTY OF THE U.S. GOVERNMENT AND SHALL BE LOANED TO YOU BY THE U.S. GOVERNMENT. IT IS TO BE USED ONLY FOR THE PURPOSES AND IN THE MANNER AND UNDER THE CONDITIONS SPECIFIED IN THE CONTRACT DOCUMENTS.

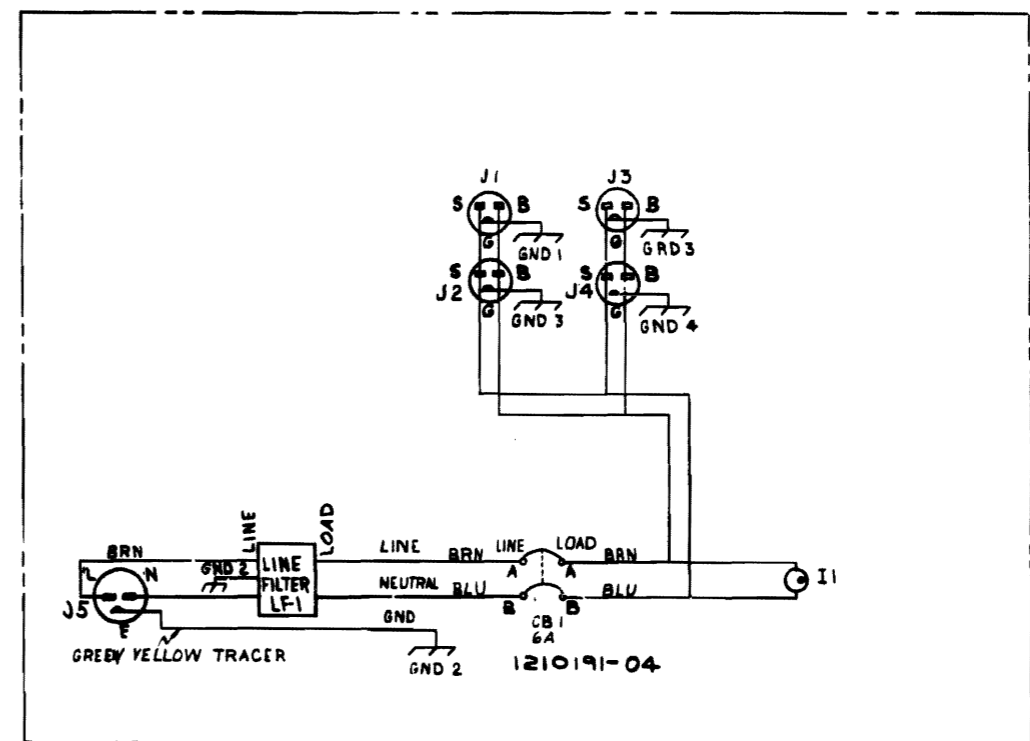
WIRE TABLE 7012472-0 (120V)						
ITEM NO	DESCRIPTION	FROM	TO	LENGTHS		
33	BRN	J5-E	GND-2	29	5.0	
32	BLK	J5-L	CB1-LINE	30	7.5	
31	WHT	J5-N	CB1-NEUTRAL	30	7.5	
32	BLK	CB1-LINE	J4-B	49	7.0	
31	WHT	CB1-NEUTRAL	J4-B	49	7.0	
33	GRN	J4-E	GND-4	29	3.0	
32	BLK	J4-B	J3-B	49	6.5	
31	WHT	J4-B	J3-B	49	6.5	
33	GRN	J3-E	GND-3	29	3.0	
32	BLK	J3-B	J2-B	49	6.5	
31	WHT	J3-B	J2-B	49	6.5	
33	GRN	J2-E	GND-2	29	3.0	
32	BLK	J2-B	J1-B	40	3.5	
31	WHT	J2-B	J1-B	40	3.5	
33	GRN	J1-E	GND-1	29	3.0	
9	BLK	I1	CB1-LINE	27+28	4.0	
9	RED	I1	CB1-NEUTRAL	27+28	4.0	

WIRE TABLE 7012472-1 (240V)						
ITEM NO	DESCRIPTION	FROM	TO	LENGTHS		
33	BRN	J5-L	LF-1-LINE	30	3.5	
34	BLU	J5-N	LF-1-NEUTRAL	30	3.5	
36	G/Y	J5-E	GND-1	29	3.0	
33	BRN	CB1-LINE	J4-B	49	7.0	
34	BLU	CB1-NEUTRAL	J4-B	49	7.0	
9	BLK	I1	CB1-LINE	27+28	4.0	
9	RED	I1	CB1-NEUTRAL	27+28	4.0	
36	G/Y	J4-E	GND-4	29	3.0	
35	BRN	J4-B	J3-B	49	6.5	
34	BLU	J4-B	J3-B	49	6.5	
36	G/Y	J3-E	GND-3	29	3.0	
35	BRN	J3-B	J2-B	49	6.5	
34	BLU	J3-B	J2-B	49	6.5	
36	G/Y	J2-E	GND-2	29	3.0	
35	BRN	J2-B	J1-B	40	3.5	
34	BLU	J2-B	J1-B	40	3.5	
36	G/Y	J1-E	GND-1	29	3.0	
42	BRN	LF-1-LINE	CB1-LINE	26	4.5	
42	BLU	LF-1-NEUTRAL	CB1-NEUTRAL	26	4.5	
36	G/Y	LF-1-GND	GND-2	29	2.0	

NOTES:
 1. J1-J4 S = NEUTRAL
 B = LINE
 J5 L = LINE
 N = NEUTRAL
 E = GND
 2. WIRING CONNECTIONS TO RECEPTACLES J2 THRU J4, B AND S ARE MADE WITH BOTH WIRES TO EACH CONNECTION CRIMPED INTO ONE SPADE TERMINAL (ITEM 49).



7012472-0 (120 V)
WIRING DIAGRAM



7012472-1 (240 V)
WIRING DIAGRAM

REVISIONS		
CHK	CHANGE NO.	REV.

DIGITAL EQUIPMENT CORPORATION MAYNARD, MASSACHUSETTS			QUANTITY/VARIATION		
PARTS LIST			7012472-0	7012472-1	
MADE BY Mike Michaud	CHECKED <i>S. Healy</i>	SECTION 1			
DATE 31 MAR 76	DATE 6 MAY 76	ISSUED SECT. 1			
ENG <i>M. Michaud</i>	PROD <i>R. Stubblefield</i>				
DATE 13 MAY 76	DATE 5-12-76				
ITEM NO.	DWG NO. / PART NO.	DESCRIPTION	7012472-0	7012472-1	
1	D-IA-7012473-0-0	CHASSIS ASSY, PWR. DIST. PANEL (120V)	1	1	
2	A-DC-7416238-0-0	DECAL, POWER PANEL (240V)	-	1	
3	D-MD-7416128-0-0	COVER, PWR. DISTR. PANEL	1	1	
4	9007913-00	CORD, POWER, 115V, 10A	1	1	
5	1700003-00	CORD, POWER, 230V	1	1	
6	1210191-03	BREAKER, CIRCUIT, 15A, 250V (CB1)	1	-	
7	1210191-04	BREAKER, CIRCUIT, 6A, 250V (CB1)	-	1	
8	1205303-00	PILOT LAMP, NEON, 115V (I1)	1	-	
9	1202556	PILOT LAMP, NEON, 250V (I1)	-	1	
10	1210203	RECEPTACLE, POWER, 115V (J1-J4)	4	-	
11	1210202	RECEPTACLE, POWER, 250V (J1-J4)	-	4	
12	9007908-01	NEUTRAL, STRIP, (120V 6000)	4	4	
13	9007909-00	NEUTRAL, STRIP, (250V 6000)	4	4	
14	9006565	NUT, KEPS 10-32	4	4	
15	9006633	WASHER, INT. TOOTH #6	4	4	
16	9006021-01	SCR. PAN HD PHIL #6-32 x .31 lg	11	11	
17	9006020-1	SCR. PAN HD PHIL #6-32 x .31 lg	11	11	
18	9006563	NUT, KEP 8-32	8	8	
19	9006037-1	SCR. PAN HD PHIL #8-32 x .38 lg	8	8	
20	3612680-01	DECAL, SAFETY GND	2	2	
21	7200016	GREASE, CONDUCTIVE	A/P/R		
22	9007651	WASHER, EXT. TOOTH LOCK #10	4	4	
TITLE PANEL ASSY. POWER DISTRIBUTION		ASSY NO. D-AD-7012472-0-0	SIZE CODE A PL	NUMBER 7012472-0-0	REV. ECO NO. E 7012472-00005
		SHEET 1 OF 3	DIST.		

DEC FORM DEC 16 (325)-1031-N870
DRA 110

DIGITAL EQUIPMENT CORPORATION MAYNARD, MASSACHUSETTS			QUANTITY/VARIATION		
PARTS LIST			7012472-0	7012472-1	
MADE BY Mike Michaud	CHECKED D. Healy	SECTION 1			
DATE 31 Mar 76	DATE 6 May 76	ISSUED SECT. 1			
ENG M. Michaud	PROD R. Stubblefield				
DATE 13 May 76	DATE 12 May 76				
ITEM NO.	DWG NO. / PART NO.	DESCRIPTION	7012472-0	7012472-1	
42	1212748	FILTER, POWER LINE 115/250V 10A	-	1	
43	1213773	RECEPTACLE, AC	1	1	
44	1700083-05	POWER CORD 115V	1	-	
45	1700083-04	POWER CORD 230V	-	1	
46	9006560	NUT, KEP #6-32	-	2	
47	9006011-01	SCR, PAN HD #4-40 x .38 LG	2	2	
48	9006557	NUT, KEP #4-40	2	2	
49	900685-02	TERMINAL, SPADE 10 AWG.	6	6	
50	900255-01	LABEL IDENTIFICATION	1	1	
51	3612063	UL DECAL	1	1	
TITLE PANEL ASSY, POWER DISTRIBUTION		ASSY NO. D-AD-7012472-0-0	SIZE CODE A PL	NUMBER 7012472-0-0	REV. ECO NO. E
		SHEET 3 OF 3	DIST.		

DEC FORM DEC 16 (325)-1031-N870
DRA 110

DIGITAL EQUIPMENT CORPORATION MAYNARD, MASSACHUSETTS			QUANTITY/VARIATION		
PARTS LIST			7012472-0	7012472-1	
MADE BY Mike Michaud	CHECKED <i>S. Healy</i>	SECTION 1			
DATE 31 MAR 76	DATE 6 MAY 76	ISSUED SECT. 1			
ENG <i>M. Michaud</i>	PROD <i>R. Stubblefield</i>				
DATE 13 MAY 76	DATE 5-12-76				
ITEM NO.	DWG NO. / PART NO.	DESCRIPTION	7012472-0	7012472-1	
23	9006660	WASHER, FLAT #10	4	4	
24	9007906	WASHER, SPLIT LOCK #10	4	4	
25	9007930-00	TERMINAL, RING 18 AWG	1	1	
26	9007970	TERMINAL, QUICK CONNECT 18 AWG	-	2	
27	9007925-03	TERMINAL, QUICK CONN., PIGGYBACK 18-14 AWG	2	2	
28	9107305-02	HEAT SHRINK TUBING, .50 long x .19 dia	5	5	
29	9007928-00	TERMINAL, RING, 14 AWG	5	6	
30	9007969	TERMINAL, QUICK CONNECT 14 AWG	4	5	
31	9107370-99	WIRE, 14 AWG, WHITE	A/R	-	
32	9107370-00	WIRE, 14 AWG, BLACK	A/R	-	
33	9107370-55	WIRE, 14 AWG, GREEN	A/R	-	
34	9107370-66	WIRE, 14 AWG, BLUE	-	A/R	
35	9107370-11	WIRE, 14 AWG, BROWN	-	A/R	
36	9107777-54	WIRE, 14 AWG, GREEN/YELLOW	-	A/R	
37	9007031	TIE, CABLE	A/R/A/R		
38	9006653	WASHER, FLAT #6	7	7	
39	9007801	WASHER, SPLITLOCK #6	7	7	
40	9009695-01	TERMINAL, SPADE 14 AWG	6	6	
41	9006656	WASHER, FLAT #6	4	4	
TITLE PANEL ASSY, POWER DISTRIBUTION		ASSY NO. D-AD-7012472-0-0	SIZE CODE A PL	NUMBER 7012472-0-0	REV. ECO NO. E
		SHEET 2 OF 3	DIST.		

DEC FORM DEC 16 (325)-1031-N870
DRA 110

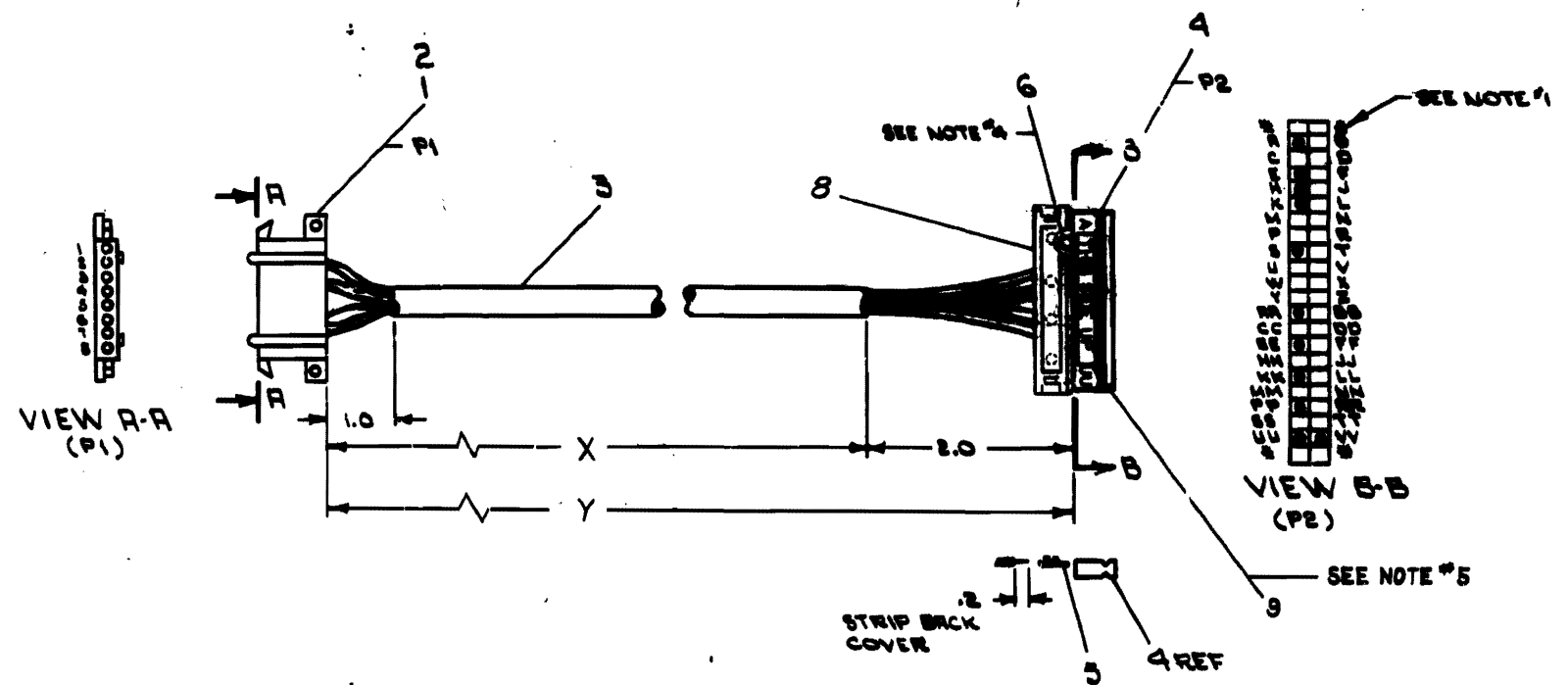
* If Item #7 is not available, use DEC #1212732-01

6-0-011000712

WIRE TABLE			
NO.	DESCRIPTION	WIRE NO.	TO
1	BLK	P1-2	P2-KK
2	RED	P1-3	P2-S
3,7	SHIELD	NOTE 2 -	P2-KK(2)
4	BLK	P1-4	P2-LL
5	WHT	P1-5	P2-RR
6,7	SHIELD	NOTE 2 -	P2-RR(2)
8	BLK	P1-6	P2-PP
9	GRN	P1-7	P2-K
10	SHIELD	NOTE 2 -	P2-K(2)
11	BLK	P1-8	P2-H

LEGEND		
VARIATION	LENGTH	
	X	Y
7008360-0	27IN±10	27IN±10
7008360-1	40IN±10	40IN±10
7008360-9	9FT±2IN	9FT±2IN ± 2IN

- NOTES:**
- * ASTERISKS INDICATE CAVITIES NOT USED OR DEMARKED BY LETTERS.
 - DRAIN WIRES TO BE CUT BACK TO OUTER INSULATION ON P1 END OF CABLE ONLY. SHIELDS TO BE CUT BACK TO OUTER INSULATION ON BOTH ENDS OF CABLES.
 - DRAIN WIRES ON P2 END OF CABLE TO BE EACH ENCLOSED WITH ITEM #7 (TUBING) FROM END OF CABLE JACKET TO POINT WHERE THEY ENTER P2 CONNECTOR.
 - ITEM #4 (WIRE) TO BE APPROXIMATELY 0.5(1) INCH LONG.
 - PLACE ITEM #9 (THIS SIDE UP) STICKER ON LETTERED SIDE OF ITEM #4 (BERG HOUSING) AS SHOWN.



QTY.	DESCRIPTION	PART NO.	REF.
1	LABEL, THIS SIDE UP	3611567	0
1	STRAIN RELIEF	12.1166	1
	WIRE TUB. STEV. THERMAL WRT	810275-11	7
	WIRE PINS STD TET BLK	810280-00	6
11	SOCKET, CRIMP #47216	1810000-07	8
1	HOUSING, BERG #65003-015	1210918-15	4
	WIRE CABLE BELMONT PATTERN SHLD	810275-0	3
6	CONTACT WIRE-MASK (FEMALE)	120819-05	2
1	CONNL WIRE-LOCK (FEMALE)	120819-00	1

REV.	DATE	BY	CHKD	DESCRIPTION
A	5/3/71	J. C. CLARK		INITIAL RELEASE
B	3/1/74	R. G. JENKINS		REVISION
C	3/21/74	R. G. JENKINS		REVISION
D	3/21/74	R. G. JENKINS		REVISION
E	3/21/74	R. G. JENKINS		REVISION
F	3/21/74	R. G. JENKINS		REVISION
G	3/21/74	R. G. JENKINS		REVISION
H	3/21/74	R. G. JENKINS		REVISION
I	3/21/74	R. G. JENKINS		REVISION
J	3/21/74	R. G. JENKINS		REVISION

FIRST USED ON OPTION/MODEL: PDP-8E

SEE PARTS LIST

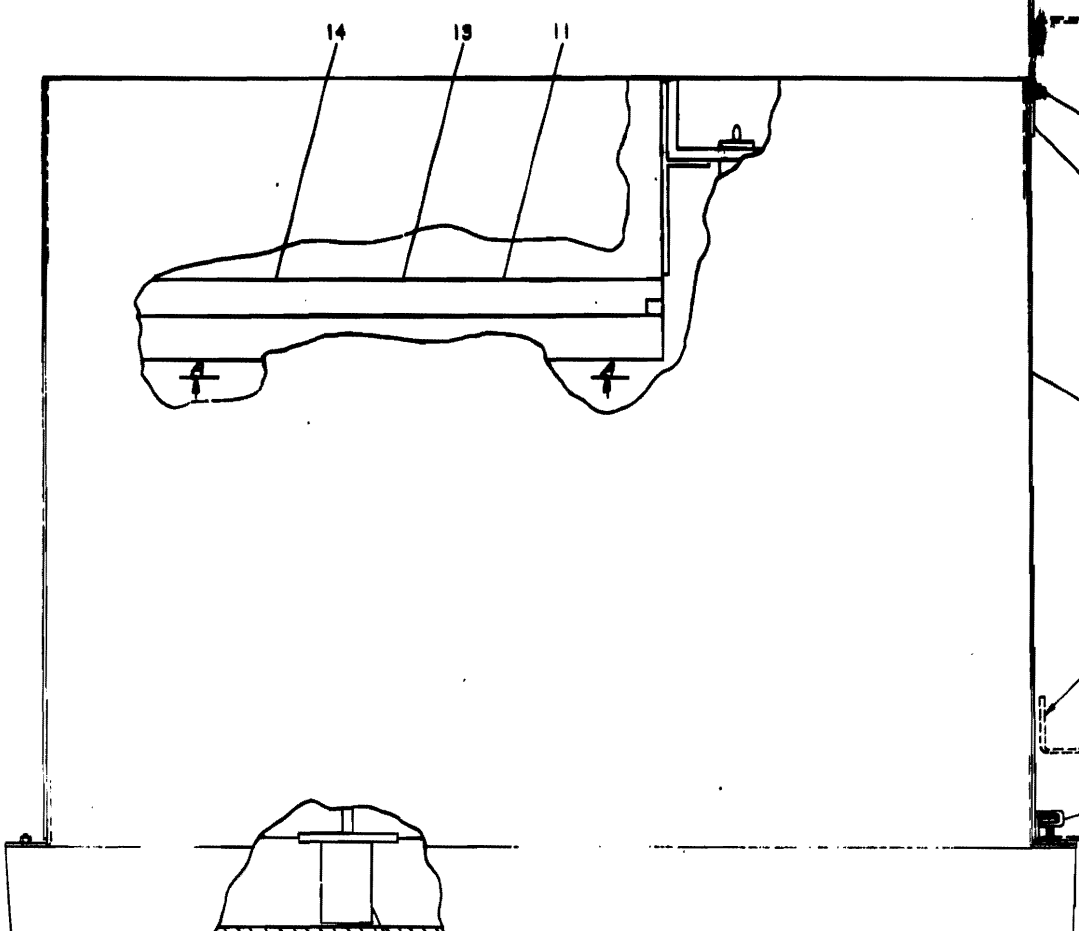
EQUIPMENT CORPORATION

CABLE ASSEMBLY (KL8E)

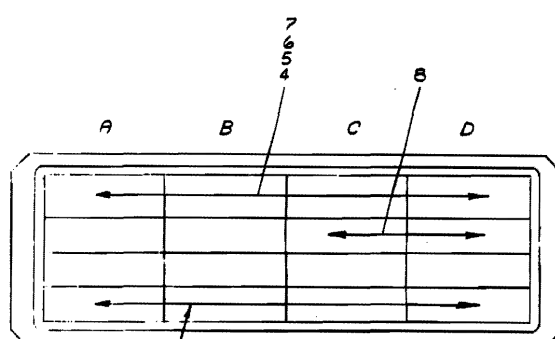
DIA 7008360-C-0 H

DIA 7008360-Q-0 H

LEGEND		
NUMBER	VARIATION	
11/03-AA	KDII-S, BAII-MA, DLVII	115V
11/03-AB	KDII-S, BAII-MA, DLVII	230V
11/03-AC	KDII-T, BAII-MB, DLVII	115V
11/03-AD	KDII-T, BAII-MB, DLVII	230V
11/03-CA	KDII-L, BAII-MA, DLVII	115V
11/03-CB	KDII-L, BAII-MA, DLVII	230V
11/03-CA	KDII-M, BAII-MA, DLVII	115V
11/03-DB	KDII-P, BAII-MA, DLVII	230V
11/03-EA	KDII-F, BAII-MA	115V
11/03-EB	KDII-F, BAII-MB	230V
11/03-FA	KDII-J, BAII-MA	115V
11/03-FB	KDII-J, BAII-ME	230V
11/03-GA	KDII-L, BAII-MA	115V
11/03-GB	KDII-L, BAII-MB	230V
11/03-HA	KDII-M, BAII-MA	115V
11/03-HB	KDII-M, BAII-ME	230V
11/03-KA	KDII-R, BAII-MA	115V
11/03-KF	KDII-R, BAII-ME	230V
11/03-MA	KDII-S, BAII-MA	115V
11/03-MB	KDII-S, BAII-MB	230V



1. TO BE INSTALLED BY CUSTOMER. TYP BOTH SIDES.
 2. REMOVE DECAL FROM FRONT OF ITEM #1 OR 2. REMOVE 2 NUTS ON EACH SIDE (FRONT ONLY) & REPLACE WITH INT #8-32 (R.C. CAS) PART OF ITEM #3 KIT.
 3. ATTACH INT. CABT. PART OF ITEM #3 (SAME ONLY).
 4. FOR MODULE UTILIZATION SEE C-MU-11/03-9-5 (C-MU-11/03-9-5).
 5. ASSEMBLY MODULE HOLDER ASSEMBLY SUPPLIED IN UA-BAII TO MODULES AS SHOWN.



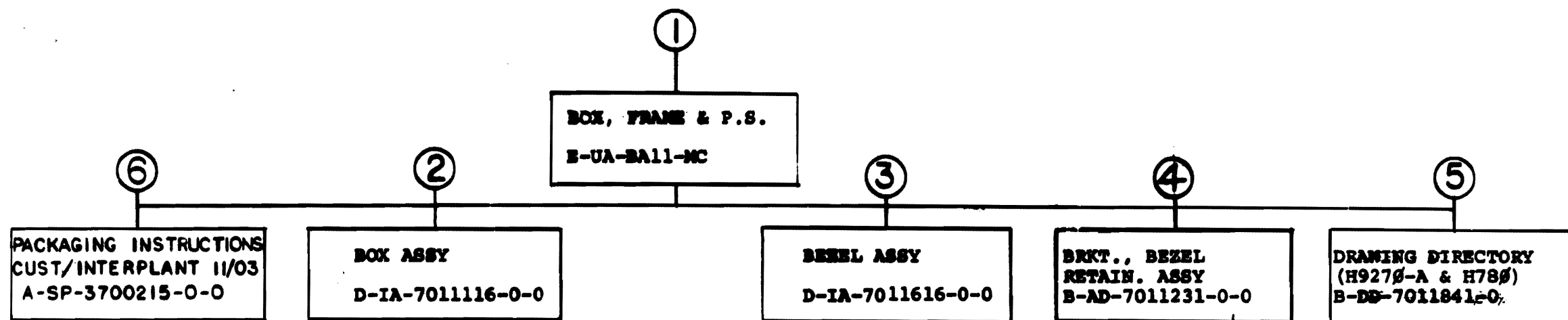
VIEW A-A
 (MODULE SIDE)
 ONLY BACKPLANE SHOWN
 PART OF ITEM #1 OR #2
 MMVII-A
 (PART OF ITEMS #5 (#7))



ITEM NO.	DESCRIPTION	QUANTITY	VARIATION	UNIT ASSEMBLY
1	PROC/16K MEM/KEVII-P	1		19
2	MODULE UTILIZATION	1		8
3	PROC/16K NOS MEM	1		17
4	PACK INST CUST/INTERPLANT	1		16
5	MODULE CLAMP	1		15
6	SERIAL NO. TAG	1		14
7	PATENT DECAL (PDP-11)	1		13
8	MARKING SURFACE BRUSH	1		12
9	UL DECAL	1		11
10	MODULE UTILIZATION	1		10
11	MODULE UTILIZATION	1		9
12	SERIAL LINE UNIT D7390	1		8
13	PK CABO COMP/CLER VII	1		7
14	PK CABO COMP/CLER VII	1		6
15	PROC/16K NOS MEM	1		5
16	ASSEMBLY MODULE HOLDER	1		4
17	INT. CABT. KIT	1		3
18	INT. CABT. KIT	1		2
19	INT. CABT. KIT	1		1

ITEM NO.	DESCRIPTION	QUANTITY	VARIATION
11/03-MA	KDII-S, BAII-MA	1	
11/03-MB	KDII-S, BAII-MB	1	
11/03-CA	KDII-L, BAII-MA	1	
11/03-CB	KDII-L, BAII-MB	1	
11/03-FA	KDII-J, BAII-MA	1	
11/03-FB	KDII-J, BAII-ME	1	
11/03-GA	KDII-L, BAII-MA	1	
11/03-GB	KDII-L, BAII-MB	1	
11/03-HA	KDII-M, BAII-MA	1	
11/03-HB	KDII-M, BAII-ME	1	
11/03-KA	KDII-R, BAII-MA	1	
11/03-KF	KDII-R, BAII-ME	1	

UNIT ASSEMBLY
 11/03
 11/03-0-0
 SEE PARTS LIST



TITLE	DRAWING DIRECTORY	SIZE	CODE	NUMBER	REV
	B11-M-Ø	B	DD	B11-M	H
SHEET 2 OF 3					

①
FRAME ASSY & P.S.
D-AD-7011841-0-0

②
DRAWING DIRECTORY
H927ø-A
B-DD-H927ø-A-ø

③
DRAWING DIRECTORY
H78ø
B-DD-H78ø-ø

TITLE	SHEET	SIZE	CODE	NUMBER	REV
DRAWING DIRECTORY (H927ø-A & H78ø)	2 OF 3	B	DD	7011841-0	A

CUSTOMER PRINT SET		ELECTRICAL (SECTION 1)					CUSTOMER PRINT SET		MECHANICAL (SECTION 2)						
1	IMP. SET	PAGE NO.	DRAWING NO.	REV	NO OF SHT	DESCRIPTION	OPTION NO./FILE DATE	1	IMP. SET	PAGE NO.	DRAWING NO.	REV	NO OF SHT	DESCRIPTION	OPTION NO./FILE DATE
X		1	D-AD-7011841-0-0		1	FRAME ASSY & P.S. (H927Ø-A & H78Ø)				1	D-AD-7011841-0-0		1	FRAME ASSY & P.S. (H927Ø-A & H78Ø)	
C		2	B-DD-H927Ø-A-Ø		2	DRAWING DIRECTORY H927Ø-A				2	B-DD-H927Ø-A-Ø.		2	DRAWING DIRECTORY H927Ø-A	
C		3	B-DD-H78Ø-Ø		4	DRAWING DIRECTORY H78Ø P.S.				3	B-DD-H78Ø-Ø		4	DRAWING DIRECTORY H78Ø P.S.	

CUSTOMER PRINT SET CODES

X = PRINT OF DOCUMENT INCLUDED IN PRINT SET
 C = INCLUDES ALL PRINTS INDICATED ON DOCUMENT
 S = CONFIDENTIAL AUTHORIZED SIGNATURE REQUIRED

TITLE DRAWING DIRECTORY
(H927Ø-A & H78Ø)

SHEET 3 OF 3 SIZE CODE B DD

NUMBER 7011841-0

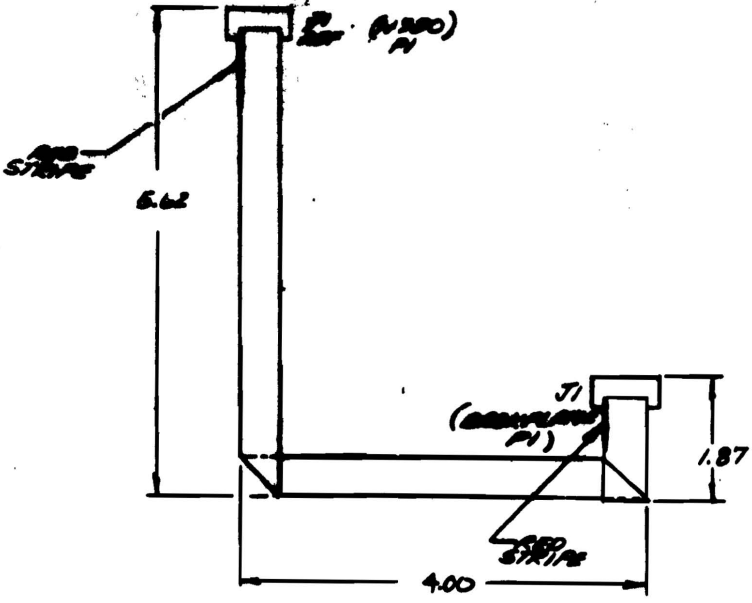
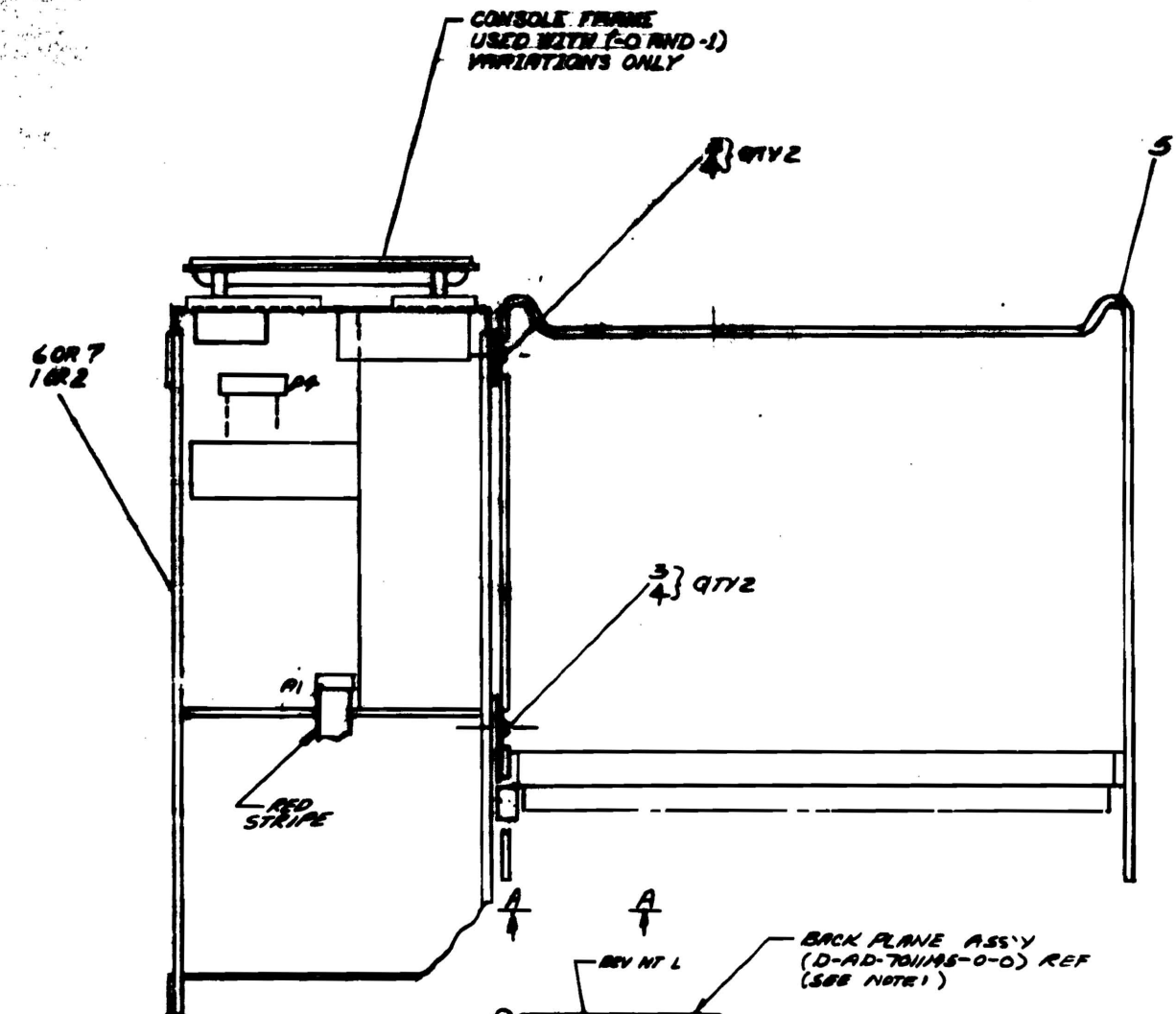
REV A

DRB 108

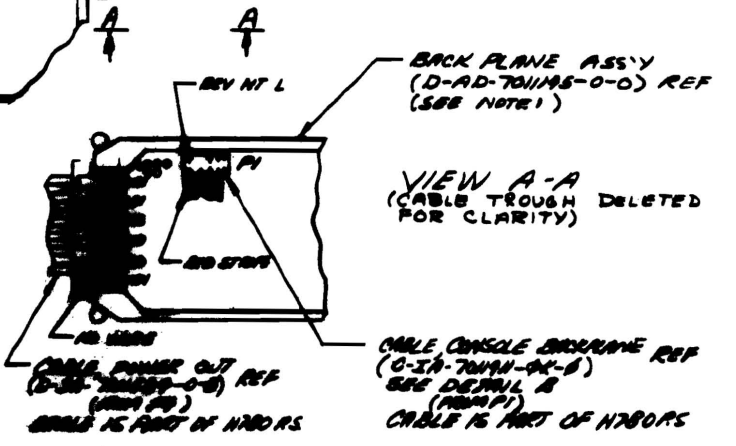
digital

EN-01062-2B-16-R972-(325)

NOTES:
1. FOR MEASUREMENTS REFER TO D-AD-701485-0-0



DETAIL B
CABLE FOLD ILLUSTRATION



1	-	-	H780-F SLAVE CON. 230V	E-UR-H780-F-0	7
-	1	-	H780-E SLAVE CON. 115V	E-UR-H780-E-0	6
1	1	1	FRAME ASSEMBLY	D-AD-701485-0-0	5
4	4	4	WHEEL, INT. TIGHTEN	9006634-0	4
4	4	4	SCREW, PAN HEAD, 2-32 X .39	9006057-1	3
-	-	1	POWER SUPPLY 230V	E-UR-H780-S-0	2
-	-	1	POWER SUPPLY 115V	E-UR-H780-S-0	1

QUANTITY & VARIATION	DESCRIPTION	QTY/PART NO.	UNIT
1	FRAME & P.S. ASSY (H9270-A & H780)		

THIRD ANGLE PROJECTION

REMOVE DIMS AND BREAK DIMS

DO NOT SCALE DIMS

SEE PARTS LIST

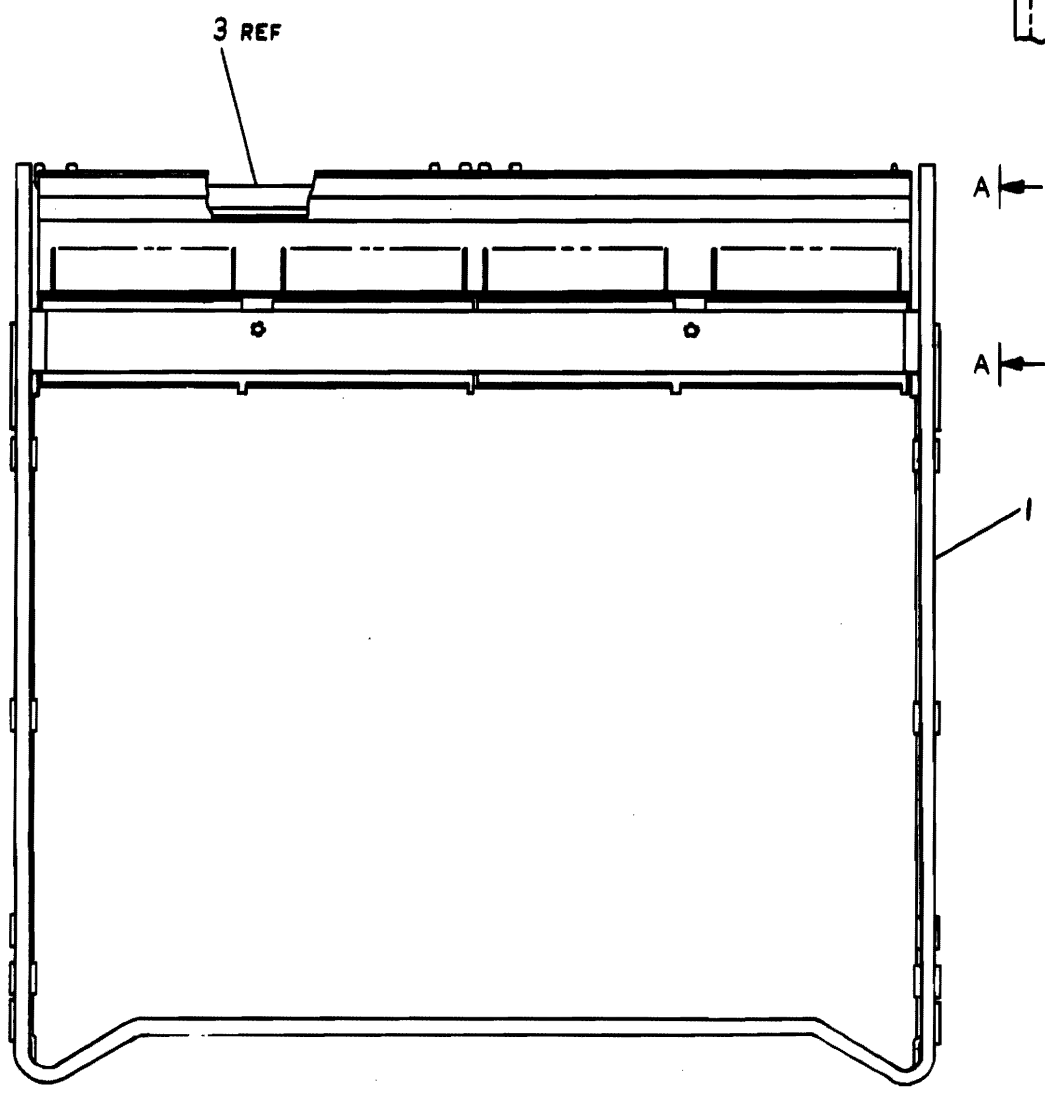
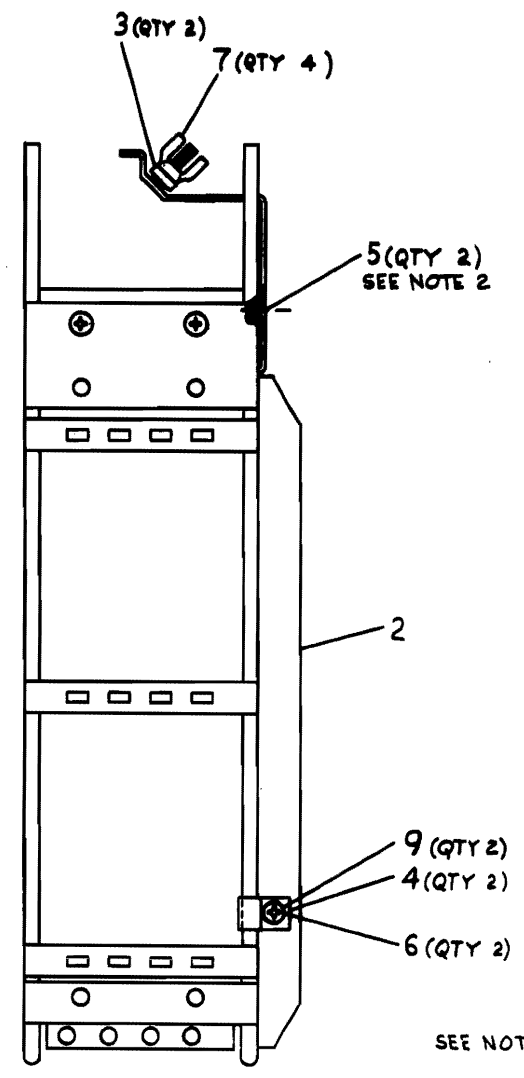
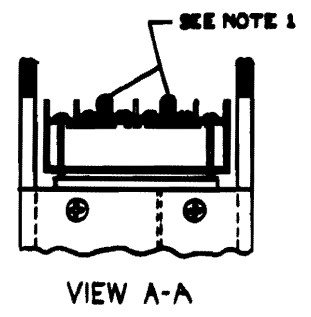
DATE: 11/03

FRAME & P.S. ASSY (H9270-A & H780)

D-AD 701485-0-0

NOTES:

- BEFORE ASSEMBLING CABLE TROUGH (7413849) TO H9270-0-0, REMOVE JUMPERS (9007889), QUANTITY 2, FROM TERMINAL BLOCK. REPLACE SCREWS TO TERMINAL BLOCK.
- MANUFACTURING HAS THE OPTION TO USE 100° FLAT HEAD SCREW NO. 9009404-2 PLUS THREAD LOCKING COMPOUND NO. 9009321 IN PLACE OF SCREW CALLED FOR.



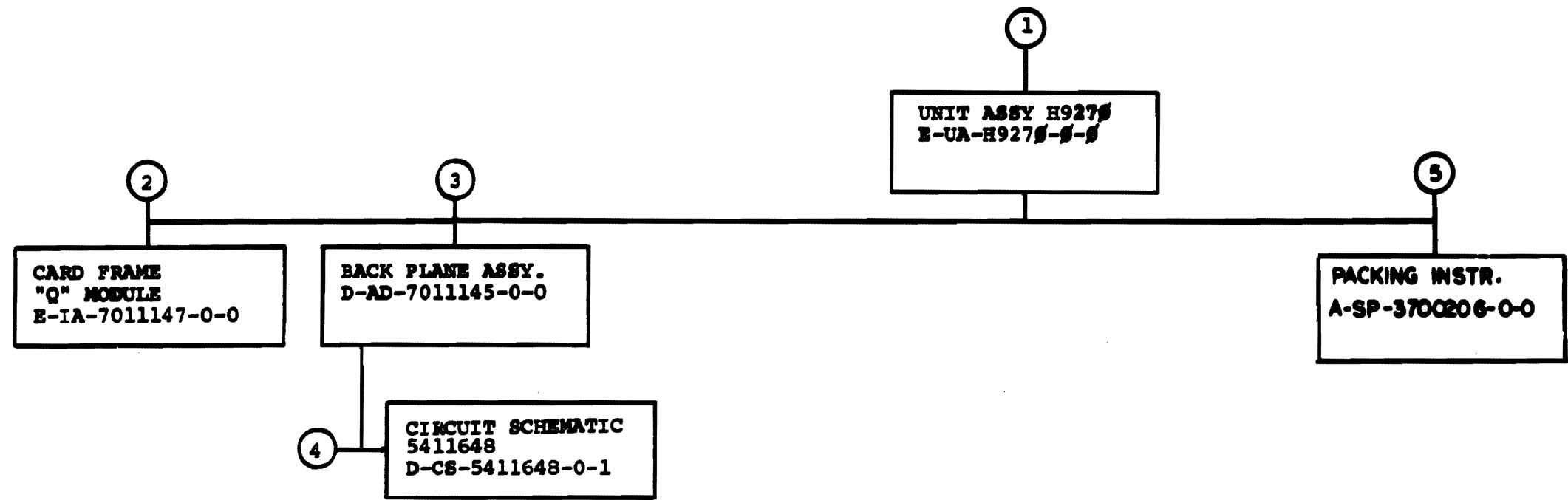
QTY	DESCRIPTION	QTY	DESCRIPTION	QTY	DESCRIPTION
2	WASHER, LOCK, SPLIT #6	9007801-00	9		
4	NUT, WING #6-32	9009711	7		
2	SCR, PHL. PAN HD. #6-32 X .25	9006020-1	6		
2	SCR, PHL. FLAT HD 100° CSK #6-32 X .25	9009321	5		
2	CLAMP	C-MD-7416425-0-0	4		
2	BAR, CABLE STRAIN RELIEF	B-MD-7413846-0-0	3		
1	TROUGH, CABLE	D-IA-7413849-0-0	2		
1	UNIT ASSY H9270	E-UA-H9270-0-0	1		

SEE NOTE 2

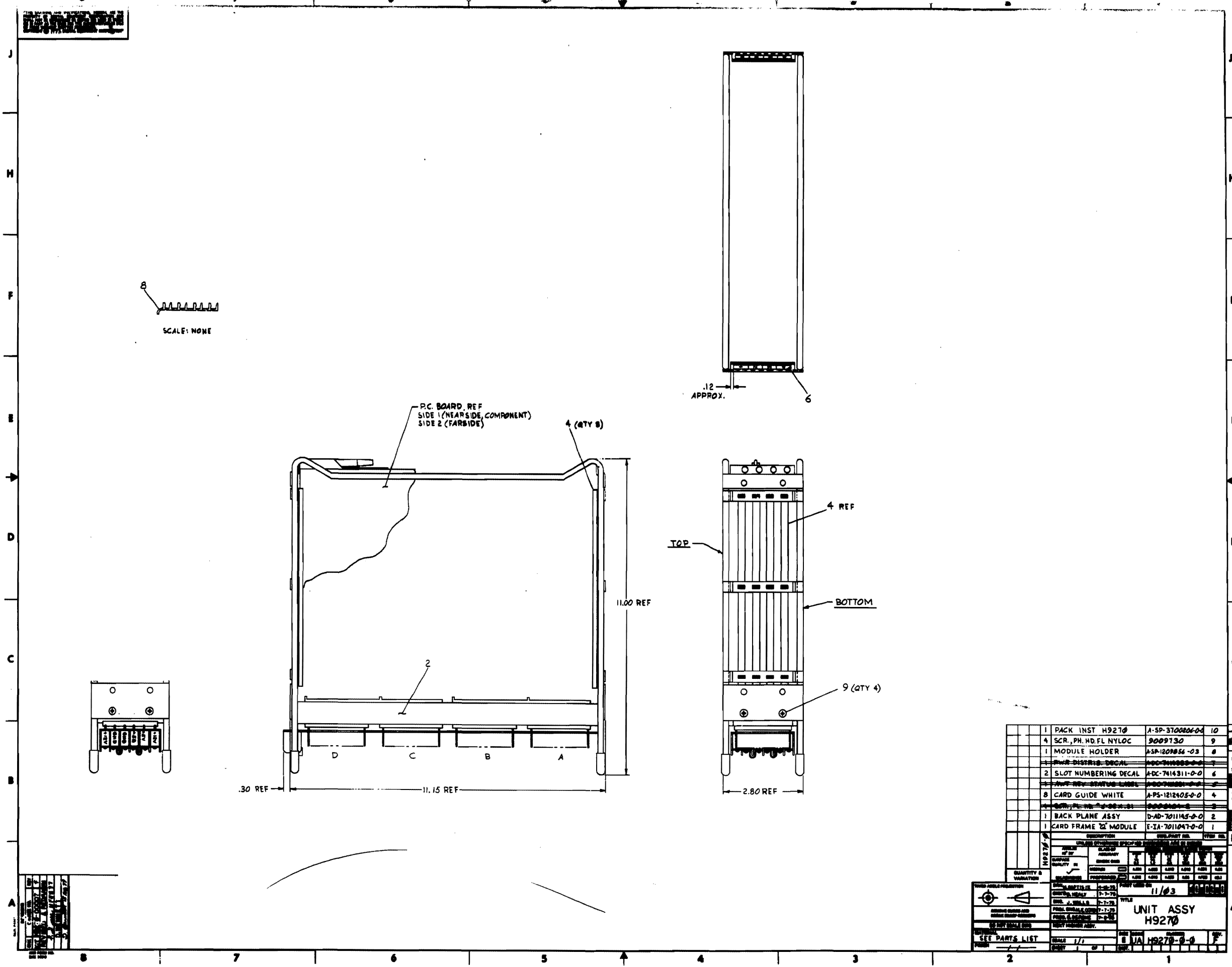
THIRD ANGLE PROJECTION		DRN. & CHECKED	5-2-75	FIRST USED ON	11/03
REMOVE BURRS AND BREAK SHARP CORNERS		CHK'D	<i>[Signature]</i>	TITLE	
DO NOT SCALE DWG		ENG.	<i>[Signature]</i>	FRAME ASSY	
MATERIAL SEE PARTS LIST		PROJ. ENG.	<i>[Signature]</i>	REV.	
FINISH		PROD. DRAWING	<i>[Signature]</i>	D UA H9270-A-0 F	
		NEXT HIGHER ASSY.		SIZE CODE	
				NUMBER	
				D UA H9270-A-0	
				REV.	
				F	
				SHEET 1 OF 1	

REV. 1	DATE 11/03	BY <i>[Signature]</i>	CHK'D <i>[Signature]</i>
REV. 2	DATE 11/03	BY <i>[Signature]</i>	CHK'D <i>[Signature]</i>
REV. 3	DATE 11/03	BY <i>[Signature]</i>	CHK'D <i>[Signature]</i>
REV. 4	DATE 11/03	BY <i>[Signature]</i>	CHK'D <i>[Signature]</i>
REV. 5	DATE 11/03	BY <i>[Signature]</i>	CHK'D <i>[Signature]</i>
REV. 6	DATE 11/03	BY <i>[Signature]</i>	CHK'D <i>[Signature]</i>
REV. 7	DATE 11/03	BY <i>[Signature]</i>	CHK'D <i>[Signature]</i>
REV. 8	DATE 11/03	BY <i>[Signature]</i>	CHK'D <i>[Signature]</i>
REV. 9	DATE 11/03	BY <i>[Signature]</i>	CHK'D <i>[Signature]</i>
REV. 10	DATE 11/03	BY <i>[Signature]</i>	CHK'D <i>[Signature]</i>

D UA H9270-A-0



TITLE	SHEET 2 OF 3	SIZE CODE	NUMBER	REV
DRAWING DIRECTORY H9270		B DD	H9270-0	J



SCALE: NONE

P.C. BOARD, REF
SIDE 1 (NEAR SIDE COMPONENT)
SIDE 2 (FAR SIDE)

4 (QTY 8)

.12
APPROX.

6

TOP

4 REF

BOTTOM

9 (QTY 4)

.30 REF

11.15 REF

11.00 REF

2.80 REF

1	PACK INST H9270	A-SP-370000-00	10
4	SCR., PH. HD. FL NYLOC	9009730	9
1	MODULE HOLDER	ASP-1209856-03	8
2	SLOT NUMBERING DECAL	A-DC-714311-0-0	6
8	CARD GUIDE WHITE	A-PS-1212405-0-0	4
1	BACK PLANE ASSY	D-AD-7011145-0-0	2
1	CARD FRAME 2X MODULE	E-IA-7011047-0-0	1

UNIT ASSY
H9270

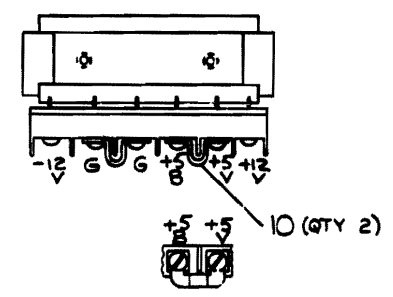
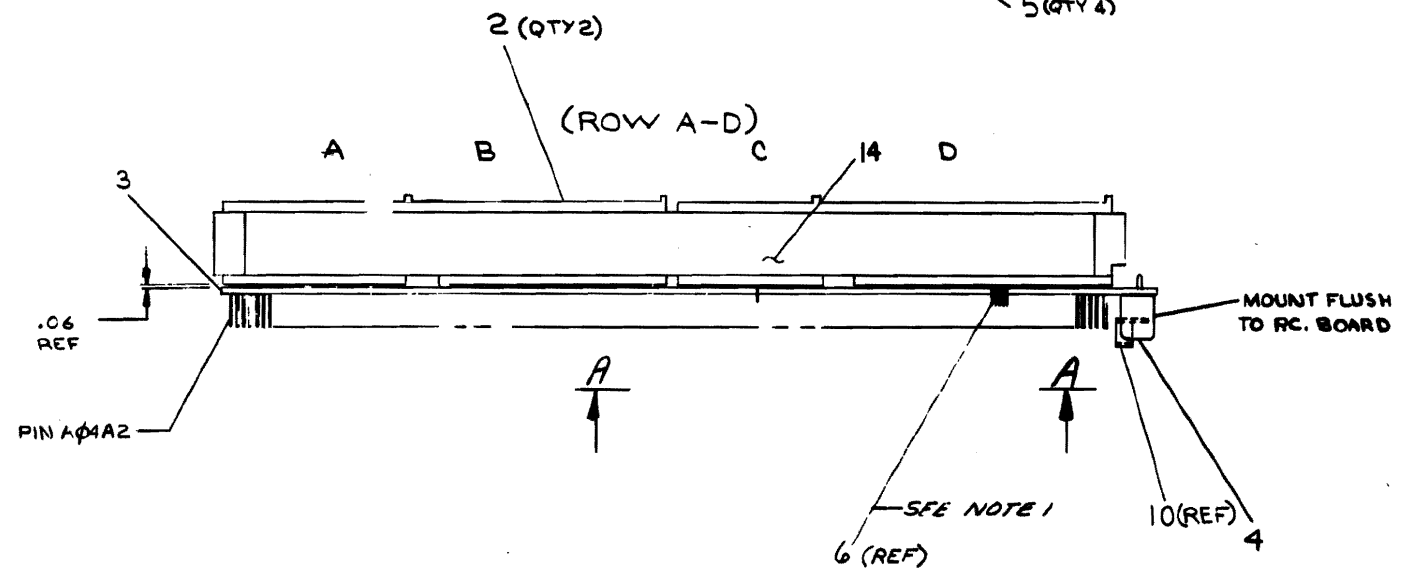
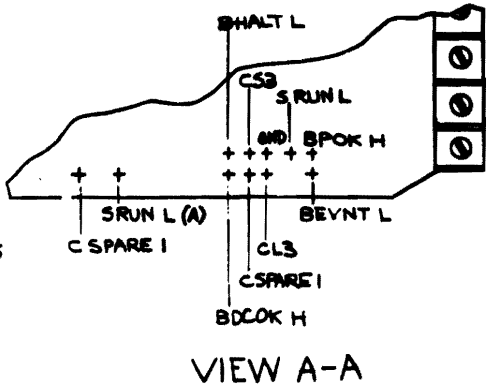
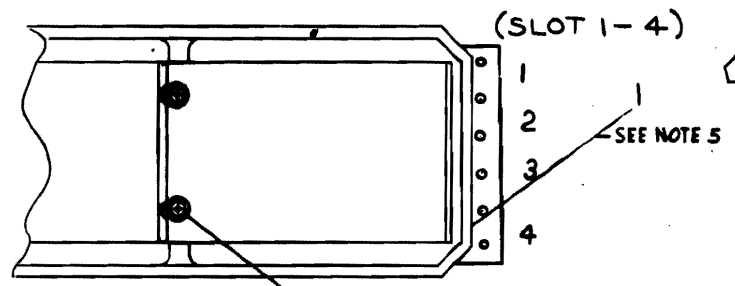
11/03

SEE PARTS LIST

8 UA H9270-0-0

THIS DRAWING AND SPECIFICATIONS SHALL BE THE PROPERTY OF THE GOVERNMENT. IT IS TO BE USED FOR THE PURPOSES AUTHORIZED BY THE CONTRACT ONLY. NO PART THEREOF IS TO BE REPRODUCED OR TRANSMITTED IN ANY FORM OR BY ANY MEANS, ELECTRONIC OR MECHANICAL, INCLUDING PHOTOCOPYING, RECORDING, OR BY ANY INFORMATION STORAGE AND RETRIEVAL SYSTEM.

- NOTES:
- ~~1. THIS DRAWING IS A REVISED DRAWING OF THE PREVIOUS EDITION.~~
 - ~~2. ALL WIRE WRAP SHEETS THAT GO TO THE TERMINAL BLOCK MUST BE MADE BEFORE THIS REV.~~
 3. WRT SHOULD BE RUN BEFORE ITEMS 4 & 10 ARE ATTACHED.
 4. #1210250 IS AN ALLOWABLE SUBSTITUTION WHEN NO 1210250-01'S ARE AVAILABLE.
 5. SAND CAST FRAME, NO. C-MD-7413493, CAN BE USED IN PLACE OF DIE CAST VERSION IF SUPPLY PROBLEM EXISTS.



1	AWT REV STATUS LABEL	74-11881	14
2	JUMPER	9007539	10
REF	AWT ETC H LIST	K-WL701145-0-1	9
REF	AWT REV STATUS	A-WT-701145-0	8
REF	CIRCUIT SCHEMATIC	D-CS-5411648-0-1	7
REF	FRAME, BACKPLANE, RC-00	9007539	6
4	SCREEN FIL HD PSI DR 98-324	9006180-6	5
1	BARRIER TERM BOARD (REV)	1212484-2	4
1	ETERN CIRCUIT BOARD ASSY.	5411643-0-1	3
* 2	288 PIN BLOCK (SLATED)	1210250-01	2
1	FRAME, BACKPLANE	C-MD-7413493-0-0	1

THIRD ANGLE PROJECTION	DRN: <i>[Signature]</i>	FIRST USED ON: <i>11/93</i>	TITLE: BACK PLANE ASS'Y
	CHK'D: <i>[Signature]</i>	DATE: <i>7-7-75</i>	
REMOVE BURRS AND BREAK SHARP CORNERS	PROJ. ENG: <i>[Signature]</i>	DATE: <i>7-7-75</i>	REV. F
DO NOT SCALE DWG	PROD. <i>[Signature]</i>	DATE: <i>7-7-75</i>	
MATERIAL: SEE PARTS LIST	SCALE: NONE	SIZE: D	NUMBER: AD 701145-0-0
FINISH: <i>[Symbol]</i>	SHEET: 1 OF 1	DRST:	

REV.	DATE	BY	CHK'D	DESCRIPTION
A	7-7-75	M.E. LEWANDOWSKI		INITIAL RELEASE
B	7-7-75	M.E. LEWANDOWSKI		INITIAL RELEASE
C	7-7-75	M.E. LEWANDOWSKI		INITIAL RELEASE
D	7-7-75	M.E. LEWANDOWSKI		INITIAL RELEASE
E	7-7-75	M.E. LEWANDOWSKI		INITIAL RELEASE
F	7-7-75	M.E. LEWANDOWSKI		INITIAL RELEASE

This drawing and specifications, herein, are the property of Digital Equipment Corporation and shall not be reproduced or copied or used in whole or in part as the basis for the manufacture or sale of items without written permission. COPYRIGHT © 1975

DIGITAL EQUIPMENT CORPORATION

REV. 1-0-1 5 7 0 2 1 M K WL 2

4

3

2


1

B
↓

B
↑

A

A

FIRST USED ON OPTION MODEL	QTY.	DESCRIPTION	PART NO.	ITEM NO.
H9270				
PARTS LIST				
DRN. <i>M. Baptista</i>	DATE 5/5/75	 <p>DIGITAL EQUIPMENT CORPORATION MAYNARD, MASSACHUSETTS</p> <p>TITLE AWT ETCH LIST</p>		
CHK'D. <i>[Signature]</i>	DATE 7-7-75			
ENG. <i>[Signature]</i>	DATE 7-7-75			
PROJ. ENG. <i>[Signature]</i>	DATE 7-7-75			
PROD. <i>[Signature]</i>	DATE 7-8-75			
NEXT HIGHER ASSEMBLY B-DD-H9270-0		SIZE CODE K WL	NUMBER 701145-0-1	REV. A
SCALE		DIST.		
SHEET	OF			

REVISIONS	CHANGE NO.	REV.
	H9270-00008	A
CHK	JC	

DEC FORM NO. DRB 109

4

3

2

1

↑

11145.P2 RUN NAME	WRAPD .V35(102)-1 A/P PIN ORDER NAME PIN	03-JUN-77 RAY - Q ORDER	DRAW RV RG Y X Z OPT	REMARKS	23-JUN-77	16189 NC LENGTH EXCEPTIONS FLAG	PAGE 1	RUN NUMBER
+12V	A01D2	1-01 * P		P		1		1
+12V	A02D2	1-02 * P		P		2		1
+12V	A03D2	1-03 * P		P		1		1
+12V	A04D2	1-04 * P		P		2		1
+12V	B04D2	1-05 * P		P		1		1
+12V	B03D2	1-06 * P		P		2		1
+12V	B02D2	1-07 * P		P		1		1
+12V	B01D2	1-08 * P		P		2		1
+12V	C01D2	1-09 * P		P		1		1
+12V	C02D2	1-10 * P		P		2		1
+12V	C03D2	1-11 * P		P		1		1
+12V	C04D2	1-12 * P		P		2		1
+12V	D04D2	1-13 * P		P		1		1
+12V	D03D2	1-14 * P		P		2		1
+12V	D02D2	1-15 * P		P		1		1
+12V	D01D2	1-16 * P						1
+12V		1					21-4/8	1
+5B	A01V1	1-01 * P		P		1		2
+5B	A02V1	1-02 * P		P		2		2
+5B	A03V1	1-03 * P		P		1		2
+5B	A04V1	1-04 * P		P		2		2
+5B	C04V1	1-05 * P		P		1		2
+5B	C03V1	1-06 * P		P		2		2
+5B	C02V1	1-07 * P		P		1		2
+5B	C01V1	1-08 * P						2
+5B		1					11-6/8	2
+5V	A01A2	1-01 * P		P		1		3
+5V	A02A2	1-02 * P		P		2		3
+5V	A03A2	1-03 * P		P		1		3
+5V	A04A2	1-04 * P		P		2		3
+5V	B04A2	1-05 * P		P		1		3
+5V	B03A2	1-06 * P		P		2		3
+5V	B02A2	1-07 * P		P		1		3
+5V	B01A2	1-08 * P		P		2		3
+5V	B01V1	1-09 * P		P		1		3
+5V	C01A2	1-10 * P		P		2		3
+5V	B02V1	1-11 * P		P		1		3
+5V	C02A2	1-12 * P		P		2		3
+5V	B03V1	1-13 * P		P		1		3
+5V	C03A2	1-14 * P		P		2		3
+5V	B04V1	1-15 * P		P		1		3
+5V	C04A2	1-16 * P		P		2		3
+5V	D04A2	1-17 * P		P		1		3
+5V	D03A2	1-18 * P		P		2		3
+5V	D02A2	1-19 * P		P		1		3
+5V	D01A2	1-20 * P		P		2		3
+5V	D01V1	1-21 * P		P		1		3
+5V	D02V1	1-22 * P		P		2		3
+5V	D03V1	1-23 * P		P		1		3
+5V	D04V1	1-24 * P						3
+5V		1					20-1/8	3

11145.P2 RUN NAME	WRAPD .V35(102)-1 A/P PIN ORDER NAME PIN	03-JUN-77 RAY - Q ORDER	DRAW RV RG Y X Z OPT	REMARKS	23-JUN-77	16189 NC LENGTH EXCEPTIONS FLAG	PAGE 2	RUN NUMBER
-12V	A01B2	1-01 * P		P		1		4
-12V	A02B2	1-02 * P		P		2		4
-12V	A03B2	1-03 * P		P		1		4
-12V	A04B2	1-04 * P		P		2		4
-12V	B04B2	1-05 * P		P		1		4
-12V	B03B2	1-06 * P		P		2		4
-12V	B02B2	1-07 * P		P		1		4
-12V	B01B2	1-08 * P		P		2		4
-12V	C01B2	1-09 * P		P		1		4
-12V	C02B2	1-10 * P		P		2		4
-12V	C03B2	1-11 * P		P		1		4
-12V	C04B2	1-12 * P		P		2		4
-12V	D04B2	1-13 * P		P		1		4
-12V	D03B2	1-14 * P		P		2		4
-12V	D02B2	1-15 * P		P		1		4
-12V	D01B2	1-16 * P						4
-12V		1					21-4/8	4
BAD 16 L	A01C1	1-01 * P				1		5
BAD 16 L	A02C1	1-02 * P				2		5
BAD 16 L	A03C1	1-03 * P				1		5
BAD 16 L	A04C1	1-04 * P				2		5
BAD 16 L	C04C1	1-05 * P				2		5
BAD 16 L	C03C1	1-06 * P				2		5
BAD 16 L	C02C1	1-07 * P				2		5
BAD 16 L	C01C1	1-08 * P						5
BAD 16 L		1					11-6/8	5
BAD 17 L	A01D1	1-01 * P				1		6
BAD 17 L	A02D1	1-02 * P				2		6
BAD 17 L	A03D1	1-03 * P				2		6
BAD 17 L	A04D1	1-04 * P				2		6
BAD 17 L	C04D1	1-05 * P				2		6
BAD 17 L	C03D1	1-06 * P				2		6
BAD 17 L	C02D1	1-07 * P				2		6
BAD 17 L	C01D1	1-08 * P						6
BAD 17 L		1					11-6/8	6
BR87 L	A01P2	1-01 * P		P		1		7
BR87 L	A02P2	1-02 * P		P		2		7
BR87 L	A03P2	1-03 * P		P		1		7
BR87 L	A04P2	1-04 * P		P		2		7
BR87 L	C04P2	1-05 * P		P		1		7
BR87 L	C03P2	1-06 * P		P		2		7
BR87 L	C02P2	1-07 * P		P		1		7
BR87 L	C01P2	1-08 * P						7
BR87 L		1					11-6/8	7

11145.P2 RUN NAME	WRAPD .V35(102)-1 A/P PIN NAME	03-JUN-77 ORDER PIN	RAY - ORDER	O	DRAW OPT	RV	RG	Y	X	Z	REMARKS	23-JUN-77	16109 NC LENGTH FLAG	PAGE 3 EXCEPTIONS	RUN NUMBER
BDAL 00 L	A01U2		1-01 *	P						1			1		8
BDAL 00 L	A02U2		1-02 *	P						2			1		8
BDAL 00 L	A03U2		1-03 *	P						1			1		8
BDAL 00 L	A04U2		1-04 *	P						2			5-6/8		8
BDAL 00 L	C04U2		1-05 *	P						1			1		8
BDAL 00 L	C03U2		1-06 *	P						2			1		8
BDAL 00 L	C02U2		1-07 *	P						1			1		8
BDAL 00 L	C01U2		1-08 *										1		8
BDAL 00 L			1										11-6/8		8
BDAL 01 L	A01V2		1-01 *	P						1			1		9
BDAL 01 L	A02V2		1-02 *	P						2			1		9
BDAL 01 L	A03V2		1-03 *	P						1			1		9
BDAL 01 L	A04V2		1-04 *	P						2			5-6/8		9
BDAL 01 L	C04V2		1-05 *	P						1			1		9
BDAL 01 L	C03V2		1-06 *	P						2			1		9
BDAL 01 L	C02V2		1-07 *	P						1			1		9
BDAL 01 L	C01V2		1-08 *										1		9
BDAL 01 L			1										11-6/8		9
BDAL 02 L	B01F2		1-01 *	P						1			1		10
BDAL 02 L	B02F2		1-02 *	P						2			1		10
BDAL 02 L	B03F2		1-03 *	P						1			1		10
BDAL 02 L	B04F2		1-04 *	P						2			5-6/8		10
BDAL 02 L	D04F2		1-05 *	P						1			1		10
BDAL 02 L	D03F2		1-06 *	P						2			1		10
BDAL 02 L	D02F2		1-07 *	P						1			1		10
BDAL 02 L	D01F2		1-08 *										1		10
BDAL 02 L			1										11-6/8		10
BDAL 03 L	B01F2		1-01	P						1			1		11
BDAL 03 L	B02F2		1-02	P						2			1		11
BDAL 03 L	B03F2		1-03 *	P						1			1		11
BDAL 03 L	B04F2		1-04 *	P						2			5-6/8		11
BDAL 03 L	D04F2		1-05 *	P						1			1		11
BDAL 03 L	D03F2		1-06 *	P						2			1		11
BDAL 03 L	D02F2		1-07 *	P						1			1		11
BDAL 03 L	D01F2		1-08 *										1		11
BDAL 03 L			1										11-6/8		11
BDAL 04 L	B01H2		1-01 *	P						1			1		12
BDAL 04 L	B02H2		1-02 *	P						2			1		12
BDAL 04 L	B03H2		1-03 *	P						1			1		12
BDAL 04 L	B04H2		1-04 *	P						2			5-6/8		12
BDAL 04 L	D04H2		1-05 *	P						1			1		12
BDAL 04 L	D03H2		1-06 *	P						2			1		12
BDAL 04 L	D02H2		1-07 *	P						1			1		12
BDAL 04 L	D01H2		1-08 *										1		12
BDAL 04 L			1										11-6/8		12

11145.P2 RUN NAME	WRAPD .V35(102)-1 A/P PIN NAME	03-JUN-77 ORDER PIN	RAY - ORDER	O	DRAW OPT	RV	RG	Y	X	Z	REMARKS	23-JUN-77	16109 NC LENGTH FLAG	PAGE 4 EXCEPTIONS	RUN NUMBER
BDAL 05 L	B01J2		1-01 *	P						1			1		13
BDAL 05 L	B02J2		1-02 *	P						2			1		13
BDAL 05 L	B03J2		1-03 *	P						1			1		13
BDAL 05 L	B04J2		1-04 *	P						2			5-6/8		13
BDAL 05 L	D04J2		1-05 *	P						1			1		13
BDAL 05 L	D03J2		1-06 *	P						2			1		13
BDAL 05 L	D02J2		1-07 *	P						1			1		13
BDAL 05 L	D01J2		1-08 *										1		13
BDAL 05 L			1										11-6/8		13
BDAL 06 L	B01K2		1-01 *	P						1			1		14
BDAL 06 L	B02K2		1-02 *	P						2			1		14
BDAL 06 L	B03K2		1-03 *	P						1			1		14
BDAL 06 L	B04K2		1-04 *	P						2			5-6/8		14
BDAL 06 L	D04K2		1-05 *	P						1			1		14
BDAL 06 L	D03K2		1-06 *	P						2			1		14
BDAL 06 L	D02K2		1-07 *	P						1			1		14
BDAL 06 L	D01K2		1-08 *										1		14
BDAL 06 L			1										11-6/8		14
BDAL 07 L	B01L2		1-01 *	P						1			1		15
BDAL 07 L	B02L2		1-02 *	P						2			1		15
BDAL 07 L	B03L2		1-03 *	P						1			1		15
BDAL 07 L	B04L2		1-04 *	P						2			5-6/8		15
BDAL 07 L	D04L2		1-05 *	P						1			1		15
BDAL 07 L	D03L2		1-06 *	P						2			1		15
BDAL 07 L	D02L2		1-07 *	P						1			1		15
BDAL 07 L	D01L2		1-08 *										1		15
BDAL 07 L			1										11-6/8		15
BDAL 08 L	B01M2		1-01 *	P						1			1		16
BDAL 08 L	B02M2		1-02 *	P						2			1		16
BDAL 08 L	B03M2		1-03 *	P						1			1		16
BDAL 08 L	B04M2		1-04 *	P						2			5-6/8		16
BDAL 08 L	D04M2		1-05 *	P						1			1		16
BDAL 08 L	D03M2		1-06 *	P						2			1		16
BDAL 08 L	D02M2		1-07 *	P						1			1		16
BDAL 08 L	D01M2		1-08 *										1		16
BDAL 08 L			1										11-6/8		16
BDAL 09 L	B01N2		1-01 *	P						1			1		17
BDAL 09 L	B02N2		1-02 *	P						2			1		17
BDAL 09 L	B03N2		1-03 *	P						1			1		17
BDAL 09 L	B04N2		1-04 *	P						2			5-6/8		17
BDAL 09 L	D04N2		1-05 *	P						1			1		17
BDAL 09 L	D03N2		1-06 *	P						2			1		17
BDAL 09 L	D02N2		1-07 *	P						1			1		17
BDAL 09 L	D01N2		1-08 *										1		17
BDAL 09 L			1										11-6/8		17

11145.P2 RUN NAME	WRAPD .V35(102)-1 A/P PIN NAME	ORDER PIN	03-JUN-77 BAY - ORDER	Q	DRAW OPT	RV	RG	Y	X	Z	REMARKS	23-JUN-77	16109 NC LENGTH FLAG	PAGE 5 EXCEPTIONS	RUN NUMBER
BDAL 10 L	BD1P2		1-01 *	P						1			1		18
BDAL 10 L	BD2P2		1-02 *	P						2			1		18
BDAL 10 L	BD3P2		1-03 *	P						1			1		18
BDAL 10 L	BD4P2		1-04 *	P						2			5-6/8		18
BDAL 10 L	DD4P2		1-05 *	P						1			1		18
BDAL 10 L	DD3P2		1-06 *	P						2			1		18
BDAL 10 L	DD2P2		1-07 *	P						1			1		18
BDAL 10 L	DD1P2		1-08 *										1		18
BDAL 10 L			1										11-6/8		17
BDAL 11 L	BD1R2		1-01 *	P						1			1		19
BDAL 11 L	BD2R2		1-02 *	P						2			1		19
BDAL 11 L	BD3R2		1-03 *	P						1			1		19
BDAL 11 L	BD4R2		1-04 *	P						2			5-6/8		19
BDAL 11 L	DD4R2		1-05 *	P						1			1		19
BDAL 11 L	DD3R2		1-06 *	P						2			1		19
BDAL 11 L	DD2R2		1-07 *	P						1			1		19
BDAL 11 L	DD1R2		1-08 *										1		19
BDAL 11 L			1										11-6/8		19
BDAL 12 L	BD1S2		1-01 *	P						1			1		20
BDAL 12 L	BD2S2		1-02 *	P						2			1		20
BDAL 12 L	BD3S2		1-03 *	P						1			1		20
BDAL 12 L	DD4S2		1-04 *	P						2			5-6/8		20
BDAL 12 L	DD4S2		1-05 *	P						1			1		20
BDAL 12 L	DD3S2		1-06 *	P						2			1		20
BDAL 12 L	DD2S2		1-07 *	P						1			1		20
BDAL 12 L	DD1S2		1-08 *										1		20
BDAL 12 L			1										11-6/8		20
BDAL 13 L	BD1T2		1-01 *	P						1			1		21
BDAL 13 L	BD2T2		1-02 *	P						2			1		21
BDAL 13 L	BD3T2		1-03 *	P						1			1		21
BDAL 13 L	BD4T2		1-04 *	P						2			5-6/8		21
BDAL 13 L	DD4T2		1-05 *	P						1			1		21
BDAL 13 L	DD3T2		1-06 *	P						2			1		21
BDAL 13 L	DD2T2		1-07 *	P						1			1		21
BDAL 13 L	DD1T2		1-08 *										1		21
BDAL 13 L			1										11-6/8		21
BDAL 14 L	BD1U2		1-01 *	P						1			1		22
BDAL 14 L	BD2U2		1-02 *	P						2			1		22
BDAL 14 L	BD3U2		1-03 *	P						1			1		22
BDAL 14 L	BD4U2		1-04 *	P						2			5-6/8		22
BDAL 14 L	DD4U2		1-05 *	P						1			1		22
BDAL 14 L	DD3U2		1-06 *	P						2			1		22
BDAL 14 L	DD2U2		1-07 *	P						1			1		22
BDAL 14 L	DD1U2		1-08 *										1		22
BDAL 14 L			1										11-6/8		22

11145.P2 RUN NAME	WRAPD .V35(102)-1 A/P PIN NAME	ORDER PIN	03-JUN-77 BAY - ORDER	Q	DRAW OPT	RV	RG	Y	X	Z	REMARKS	23-JUN-77	16109 NC LENGTH FLAG	PAGE 6 EXCEPTIONS	RUN NUMBER
BDAL 15 L	BD1V2		1-01 *	P						1			1		23
BDAL 15 L	BD2V2		1-02 *	P						2			1		23
BDAL 15 L	BD3V2		1-03 *	P						1			1		23
BDAL 15 L	BD4V2		1-04 *	P						2			5-6/8		23
BDAL 15 L	DD4V2		1-05 *	P						1			1		23
BDAL 15 L	DD3V2		1-06 *	P						2			1		23
BDAL 15 L	DD2V2		1-07 *	P						1			1		23
BDAL 15 L	DD1V2		1-08 *										1		23
BDAL 15 L			1										11-6/8		23
BDCOK H	BD1A1		1-01 *	P						1			1		24
BDCOK H	BD2A1		1-02 *	P						2			1		24
BDCOK H	BD3A1		1-03 *	P						1			1		24
BDCOK H	BD4A1		1-04 *	P						2			5-6/8		24
BDCOK H	DD4A1		1-05 *	P						1			1		24
BDCOK H	DD3A1		1-06 *	P						2			1		24
BDCOK H	DD2A1		1-07 *	P						1			1		24
BDCOK H	DD1A1		1-08 *										1		24
BDCOK H			1										11-6/8		24
BDIN L	BD1H2		1-01 *	P						1			1		25
BDIN L	BD2H2		1-02 *	P						2			1		25
BDIN L	BD3H2		1-03 *	P						1			1		25
BDIN L	BD4H2		1-04 *	P						2			5-6/8		25
BDIN L	DD4H2		1-05 *	P						1			1		25
BDIN L	DD3H2		1-06 *	P						2			1		25
BDIN L	DD2H2		1-07 *	P						1			1		25
BDIN L	DD1H2		1-08 *										1		25
BDIN L			1										11-6/8		25
BDHG A L	BD1S2		1-01 *	P						1			5-5/8		26
BDHG A L	BD2S2		1-02 *										5-5/8		26
BDHG A L			1										5-5/8		26
BDHG B L	BD1S2		1-01 *	P						1			1-1/8		27
BDHG B L	BD2S2		1-02 *										1-1/8		27
BDHG B L			1										1-1/8		27
BDHG C L	BD2R2		1-01 *	P						1			5-7/8		28
BDHG C L	BD3S2		1-02 *										5-7/8		28
BDHG C L			1										5-7/8		28
BDHG D L	BD2S2		1-01 *	P						1			1-1/8		29
BDHG D L	BD3R2		1-02 *										1-1/8		29
BDHG D L			1										1-1/8		29
BDHG E L	BD3S2		1-01 *	P						1			5-5/8		30
BDHG F L	BD3R2		1-02 *										5-5/8		30
BDHG F L			1										5-5/8		30
BDHG F L	BD3S2		1-01 *	P						1			1-1/8		31
BDHG F L	BD4R2		1-02 *										1-1/8		31
BDHG F L			1										1-1/8		31

11145.P2 RUN NAME	WRAPD .V35(102)-1 A/P PIN ORDER PIN	03-JUN-77 RAY - Q ORDER	DRAW	RV	RG	Y	X	Z	REMARKS	23-JUN-77	16189 NC LENGTH FLAG	PAGE 7 EXCEPTIONS	RUN NUMBER
BDMG H L	AP4R2	1-01 *	P					1			5-7/0		32
BDMG H T	CP4S2	1-02 *											32
BDMG P L		1									5-7/0		32
BDNR L	AP1N1	1-01 *	P					1			1		33
BDNR L	AP2N1	1-02 *	P					2			1		33
BDNR L	AP3N1	1-03 *	P					1			1		33
BDNR L	AP4N1	1-04 *	P					2			5-6/0		33
BDNR L	CP4N1	1-05 *	P					1			1		33
BDNR L	CP3N1	1-06 *	P					2			1		33
BDNR L	CP2N1	1-07 *	P					1			1		33
BDNR L	CP1N1	1-08 *											33
BDNR L		1									11-6/0		33
BDOUT L	AP1E2	1-01 *	P					1			1		34
BDOUT L	AP2E2	1-02 *	P					2			1		34
BDOUT L	AP3E2	1-03 *	P					1			1		34
BDOUT L	AP4E2	1-04 *	P					2			5-6/0		34
BDOUT L	CP4E2	1-05 *	P					1			1		34
BDOUT L	CP3E2	1-06 *	P					2			1		34
BDOUT L	CP2E2	1-07 *	P					1			1		34
BDOUT L	CP1E2	1-08 *											34
BDOUT L		1									11-6/0		34
BEVNT L	BP1R1	1-01 *	P					1			1		35
BEVNT L	BP2R1	1-02 *	P					2			1		35
BEVNT L	BP3R1	1-03 *	P					1			1		35
BEVNT L	BP4R1	1-04 *	P					2			5-6/0		35
BEVNT L	DP4R1	1-05 *	P					1			1		35
BEVNT L	DP3R1	1-06 *	P					2			1		35
BEVNT L	DP2R1	1-07 *	P					1			1		35
BEVNT L	DP1R1	1-08 *											35
BEVNT L		1									11-6/0		35
BHAT L	AP1P1	1-01 *	P					1			1		36
BHAT L	AP2P1	1-02 *	P					2			1		36
BHAT L	AP3P1	1-03 *	P					1			1		36
BHAT L	AP4P1	1-04 *	P					2			5-6/0		36
BHAT L	CP4P1	1-05 *	P					1			1		36
BHAT L	CP3P1	1-06 *	P					2			1		36
BHAT L	CP2P1	1-07 *	P					1			1		36
BHAT L	CP1P1	1-08 *											36
BHAT L		1									11-6/0		36
BIAK A L	AP1N2	1-01 *	P					1			5-5/0		37
BIAK A L	CP1N2	1-02 *											37
BIAK A I		1									5-5/0		37
BIAK B L	CP1N2	1-01 *	P					1			5-5/0		38
BIAK B L	CP2N2	1-02 *											38
BIAK B L		1									5-5/0		38
BIAK C L	AP2N2	1-01 *	P					1			5-7/0		39
BIAK C L	CP2N2	1-02 *											39
BIAK C L		1									5-7/0		39

11145.P2 RUN NAME	WRAPD .V35(102)-1 A/P PIN ORDER PIN	03-JUN-77 RAY - Q ORDER	DRAW	RV	RG	Y	X	Z	REMARKS	23-JUN-77	16189 NC LENGTH FLAG	PAGE 8 EXCEPTIONS	RUN NUMBER
BIAK D L	AP2N2	1-01 *	P					1			5-5/0		40
BIAK D L	AP3N2	1-02 *											40
BIAK D I		1									5-5/0		40
BIAK E L	AP3N2	1-01 *	P					1			5-5/0		41
BIAK E L	CP3N2	1-02 *											41
BIAK E L		1									5-5/0		41
BIAK F L	CP3N2	1-01 *	P					1			5-5/0		42
BIAK F L	CP4N2	1-02 *											42
BIAK F L		1									5-5/0		42
BIAK H L	AP4N2	1-01 *	P					1			5-7/0		43
BIAK H L	CP4N2	1-02 *											43
BIAK H L		1									5-7/0		43
BNIT L	AP1T2	1-01 *	P					1			1		44
BNIT L	AP2T2	1-02 *	P					2			1		44
BNIT L	AP3T2	1-03 *	P					1			1		44
BNIT L	AP4T2	1-04 *	P					2			5-6/0		44
BNIT L	CP4T2	1-05 *	P					1			1		44
BNIT L	CP3T2	1-06 *	P					2			1		44
BNIT L	CP2T2	1-07 *	P					1			1		44
BNIT L	CP1T2	1-08 *											44
BNIT L		1									11-6/0		44
BIRO L	AP1L2	1-01 *	P					1			1		45
BIRO L	AP2L2	1-02 *	P					2			1		45
BIRO L	AP3L2	1-03 *	P					1			1		45
BIRO L	AP4L2	1-04 *	P					2			5-6/0		45
BIRO L	CP4L2	1-05 *	P					1			1		45
BIRO L	CP3L2	1-06 *	P					2			1		45
BIRO L	CP2L2	1-07 *	P					1			1		45
BIRO L	CP1L2	1-08 *											45
BIRO L		1									11-6/0		45
BPOK H	BP1R1	1-01 *	P					1			1		46
BPOK H	BP2R1	1-02 *	P					2			1		46
BPOK H	BP3R1	1-03 *	P					1			1		46
BPOK H	BP4R1	1-04 *	P					2			5-6/0		46
BPOK H	DP4R1	1-05 *	P					1			1		46
BPOK H	DP3R1	1-06 *	P					2			1		46
BPOK H	DP2R1	1-07 *	P					1			1		46
BPOK H	DP1R1	1-08 *											46
BPOK H		1									11-6/0		46
BREF L	AP1R1	1-01 *	P					1			1		47
BREF L	AP2R1	1-02 *	P					2			1		47
BREF L	AP3R1	1-03 *	P					1			1		47
BREF L	AP4R1	1-04 *	P					2			5-6/0		47
BREF L	CP4R1	1-05 *	P					1			1		47
BREF L	CP3R1	1-06 *	P					2			1		47
BREF L	CP2R1	1-07 *	P					1			1		47
BREF L	CP1R1	1-08 *											47
BREF L		1									11-6/0		47

11145.P2 RUN NAME	WRAPD ,V35(102)-1 A/P PIN NAME	ORDER PIN	03-JUN-77 BAY - ORDER	Q	DRAW OPT	RV	RG	Y	X	Z	REMARKS	23-JUN-77	16109 NC LENGTH FLAG	PAGE 11 EXCEPTIONS	RUN NUMBER
GND 71A	C01C2		1-01 *	P					P	2			1		56
GND 71A	C02C2		1-02 *	P					P	1			1		56
GND 01A	C03C2		1-03 *	P					P	2			1		56
GND 01A	C04C2		1-04 *	P					P	1			1-1/0		56
GND 01A	C04J1		1-05 *	P					P	2			0-5/0		56
GND 01A	C04M1		1-06 *	P					P	1			0-5/0		56
GND 01A	C03J1		1-07 *	P					P	2			1		56
GND 01A	C02J1		1-08 *	P					P	1			0-5/0		56
GND 01A	C02M1		1-09 *	P					P	2			0-5/0		56
GND 01A	C01J1		1-10 *	P					P	1			0-5/0		56
GND 01A	C01M1		1-11 *	P					P	2			1-1/0		56
GND 01A	C01T1		1-12 *	P					P	1			1		56
GND 01A	C02T1		1-13 *	P					P	2			1		56
GND 01A	C03T1		1-14 *	P					P	1			1		56
GND 01A	C04T1		1-15 *	P					P	2			1-5/0		56
GND 01A	D04C2		1-16 *	P					P	1			1		56
GND 01A	D03C2		1-17 *	P					P	2			1		56
GND 01A	D02C2		1-18 *	P					P	1			1		56
GND 01A	D01C2		1-19 *	P					P	2			1-1/0		56
GND 01A	D01J1		1-20 *	P					P	1			0-5/0		56
GND 01A	D01M1		1-21 *	P					P	2			1		56
GND 01A	D02M1		1-22 *	P					P	1			0-5/0		56
GND 01A	D02J1		1-23 *	P					P	2			0-5/0		56
GND 01A	D03M1		1-24 *	P					P	1			0-5/0		56
GND 01A	D03J1		1-25 *	P					P	2			0-5/0		56
GND 01A	D04M1		1-26 *	P					P	1			0-5/0		56
GND 01A	D04J1		1-27 *	P					P	2			1-4/0		56
GND 01A	D04T1		1-28 *	P					P	1			1		56
GND 01A	D03T1		1-29 *	P					P	2			1		56
GND 01A	D02T1		1-30 *	P					P	1			1		56
GND 01A	D01T1		1-31 *	P									27-3/0		56
GND 01A			1												56
NSPARE 1A	A01K1		1-01	P					P	1			0-1/0		57
NSPARE 1A	A01L1		1-02												57
NSPARE 1A			1										0-1/0		57
NSPARE 1B	B01K1		1-01 *	P					P	1			0-1/0		58
NSPARE 1B	B01L1		1-02 *												58
NSPARE 1B			1										0-1/0		58
NSPARE 2A	A02K1		1-01 *	P					P	1			0-1/0		59
NSPARE 2A	A02L1		1-02 *												59
NSPARE 2A			1										0-1/0		59
NSPARE 2B	B02K1		1-01 *	P					P	1			0-1/0		60
NSPARE 2B	B02L1		1-02 *												60
NSPARE 2B			1										0-1/0		60
NSPARE 3B	B03K1		1-01 *	P					P	1			0-1/0		61
NSPARE 3B	B03L1		1-02 *												61
NSPARE 3B			1										0-1/0		61
NSPARE 4A	A04K1		1-01 *	P					P	1			0-1/0		62
NSPARE 4A	A04L1		1-02 *												62
NSPARE 4A			1										0-1/0		62

11145.P2 RUN NAME	WRAPD ,V35(102)-1 A/P PIN NAME	ORDER PIN	03-JUN-77 BAY - ORDER	Q	DRAW OPT	RV	RG	Y	X	Z	REMARKS	23-JUN-77	16109 NC LENGTH FLAG	PAGE 12 EXCEPTIONS	RUN NUMBER
NSPARE 4B	B04K1		1-01 *	P					P	1			0-1/0		63
NSPARE 4B	B04L1		1-02 *												63
NSPARE 4B			1										0-1/0		63
NSPARE 5A	C01K1		1-01 *	P					P	1			0-1/0		64
NSPARE 5A	C01L1		1-02 *												64
NSPARE 5A			1										0-1/0		64
NSPARE 5B	D01K1		1-01 *	P					P	1			0-1/0		65
NSPARE 5B	D01L1		1-02 *												65
NSPARE 5B			1										0-1/0		65
NSPARE 6A	C02K1		1-01 *	P					P	1			0-1/0		66
NSPARE 6A	C02L1		1-02 *												66
NSPARE 6A			1										0-1/0		66
NSPARE 6B	D02K1		1-01 *	P					P	1			0-1/0		67
NSPARE 6B	D02L1		1-02 *												67
NSPARE 6B			1										0-1/0		67
NSPARE 7A	C03K1		1-01 *	P					P	1			0-1/0		68
NSPARE 7A	C03L1		1-02 *												68
NSPARE 7A			1										0-1/0		68
NSPARE 7B	D03K1		1-01 *	P					P	1			0-1/0		69
NSPARE 7B	D03L1		1-02 *												69
NSPARE 7B			1										0-1/0		69
NSPARE 8A	C04K1		1-01 *	P					P	1			0-1/0		70
NSPARE 8A	C04L1		1-02 *												70
NSPARE 8A			1										0-1/0		70
NSPARE 8B	D04K1		1-01 *	P					P	1			0-1/0		71
NSPARE 8B	D04L1		1-02 *												71
NSPARE 8B			1										0-1/0		71
NSPARE 9A	A03K1		1-01 *	P					P	1			0-1/0		72
NSPARE 9A	A03L1		1-02 *												72
NSPARE 9A			1										0-1/0		72

CUSTOMER PRINT SET INDEX

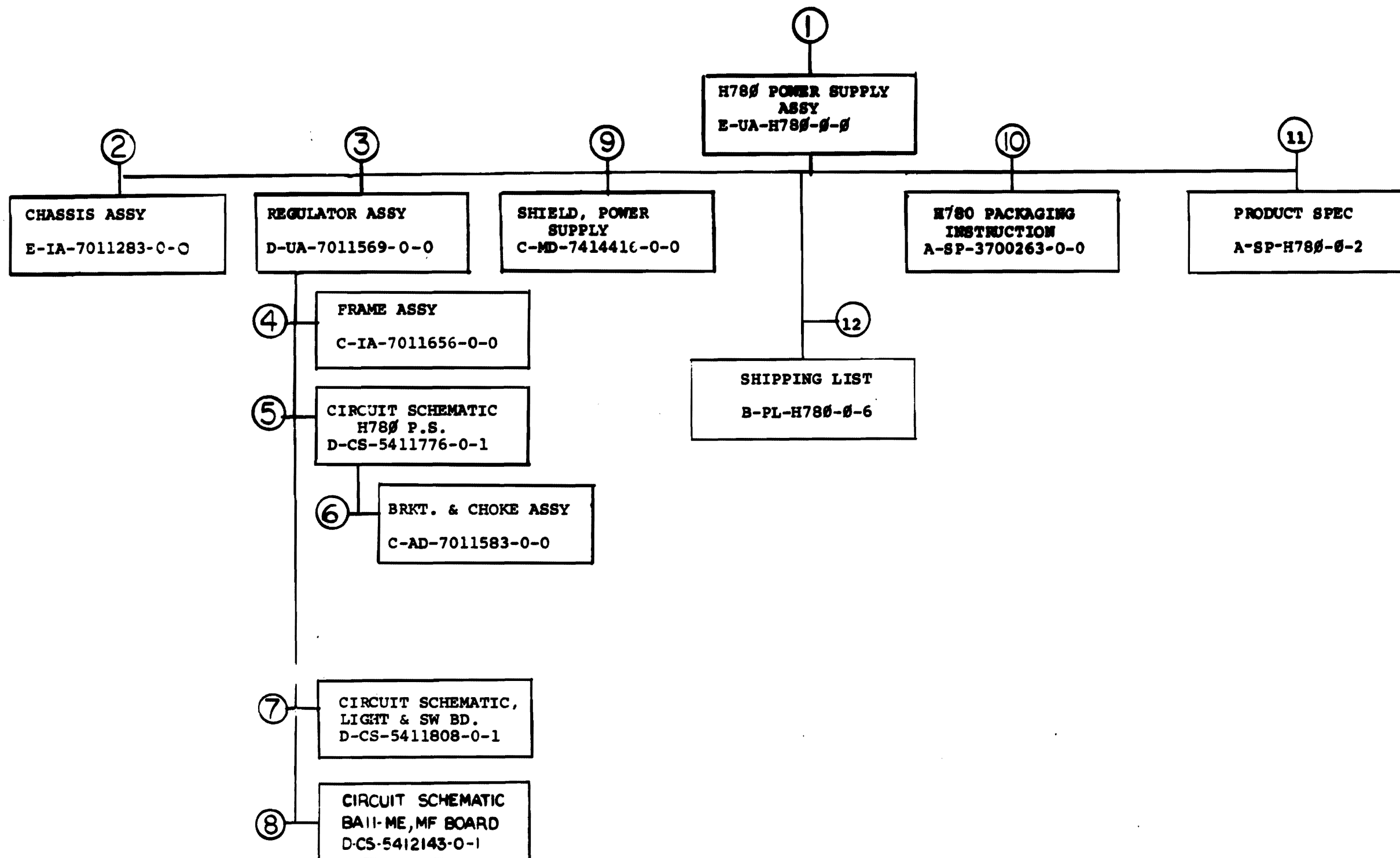
THIS IS PRINT SET

SEQUENCE		SEQUENCE	
1	DRAWING DIRECTORY H780	1	B-DD-H780-0
2	POWER SUPPLY ASSY H780	2	E-UA-H780-0-0
3	POWER SUPPLY ASSY H780	3	C-PL-H780-0-0
4	CABLE, LOGIC	4	D-IA-7011411-0-0
5	CABLE, DC OUTPUT	5	D-IA-7011584-0-0
6	HARNES, INPUT	6	D-IA-7011658-0-0
7	CABLE, KEYBOARD	7	D-IA-7008612-0-0
8	CIRCUIT SCHEMATIC H780 P.S.	8	D-CS-5411776-0-1
9	CIRCUIT SCHEMATIC LIGHT & SW BD	9	D-CS-5411808-0-1
10	CIRCUIT SCHEMATIC/SLAVE BD.	10	D-CS-5412143-0-1

UNIT VARIATIONS		PRINT SET			
VAR	TITLE	1	2	3	4
H780-A	11/03 P.S./CONS., 115V	X			
H780-B	H780-A 230V	X			
H780-C	P.S.ASSY (NO LINE CORD) 115V/230V	X			
H780-D	H780/NO CONS. NO LINE CORD	X			
H780-E	SLAVE CON./115V LINE CORD	X			
H780-F	SLAVE CON./230V LINE CORD	X			
H780-G	NO CONSOLE/230V/NO LINE CORD	X			
H780-H	MASTER CONSOLE/115V NO LINE CORD	X			
H780-I	MASTER CONSOLE/230V NO LINE CORD	X			
H780-J	SLAVE CON./115V NO LINE CORD	X			
H780-K	SLAVE CON./230V NO LINE CORD	X			
H780-L	NO CONSOLE/115 NO FANS OR LINE CORD	X			
H780-M	NO CONSOLE/230V NO FANS OR LINE CORD	X			
H780-N	NO CONSOLE/230V NO FANS OR LINE CORD	X			

EN-01088-1A-16-0074-1223

REVISIONS				USED ON OPTION/MODEL		DWN. DATE		TITLE			
DATE	CHG. NO.	REV				BY	DATE				
12-76	H780-5	E	REVISED & RETYPED			M. BAPTISTE	8/4/75	DRAWING DIRECTORY H780			
3-77	H780-6	F				D. HEALY	9/9/75				
5-77	H780-7	H				PROJ ENG.					
6-77	H780-8	J				R. MARTEL	10/17/75				
						PROD.		SIZE	CODE	NUMBER	REV
						D. DEROME	10/17/75	5 B	DD	H780-0	J
						FIELD SERV.					
						J. CARLSON	10/17/75				
				SHEET 1 OF 4				DIST			

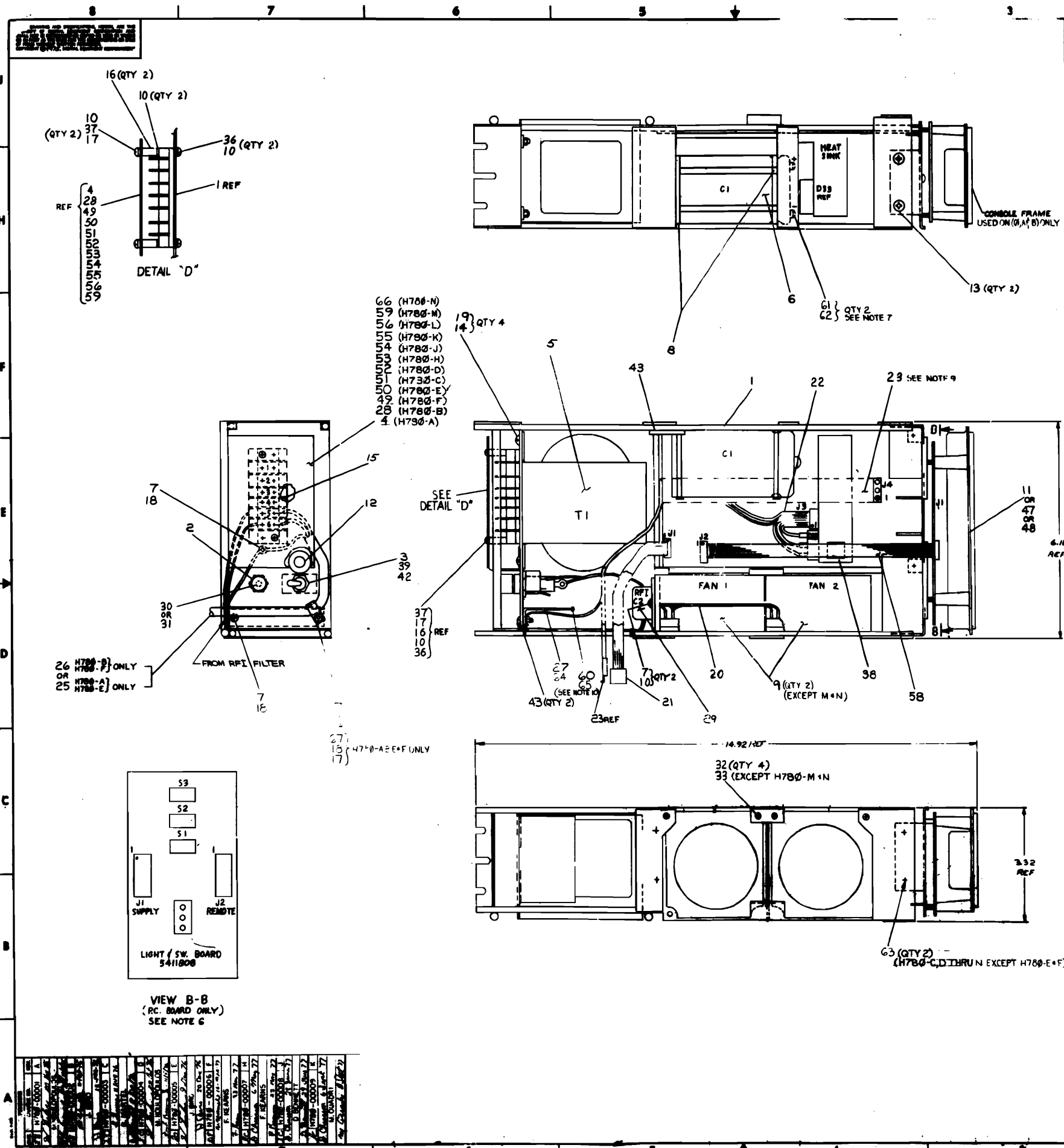


TITLE	DRAWING DIRECTORY H780	SHEET 2 OF 4	REV	J
-------	------------------------	--------------	-----	---

ELECTRICAL (SECTION 1)						MECHANICAL (SECTION 2)										
CUSTOMER PRINT SET	MPG. SET	PWD NO.	DRAWING NO.	REV	NO OF SHT	DESCRIPTION	OPTION NO./FILE DATE	CUSTOMER PRINT SET	MPG. SET	PWD NO.	DRAWING NO.	REV	NO OF SHT	DESCRIPTION	OPTION NO./FILE DATE	
X		1	E-UA-H780-0-0	J	2	POWER SUPPLY ASSY H780		X		1	E-UA-H780-0-0	J	2	POWER SUPPLY ASSY H780		
X			C-PL-H780-0-0	J	2	POWER SUPPLY ASSY H780		X			D-IA-7011411-0-0		1	CABLE, LOGIC		
								X			D-IA-7011584-0-0		1	CABLE, RC OUTPUT		
								X			D-IA-7011733-0-0		1	HARNESS, FAN		
								X			D-IA-7011658-0-0		1	HARNESS, INPUT		
											C-IA-7011667-0-0		1	TRANS ASSY		
											B-MD-7414712-0-0		1	SHIELD, UL		
											B-IA-7414691-0-0		1	JUMPER		
X		5	D-CS-5411776-0-1		5	CIRCUIT SCHEMATIC H780 P.S.		X			C-IA-7011668-0-0		1	FILTER		
											D-IA-7008612-0-0		1	CABLE, KEYBOARD		
											C-PL-H780-0-0	J	2	POWER SUPPLY ASSY H780		
X		7	D-CS-5411808-0-1		2	CIRCUIT SCHEMATIC LIGHT & SW BD.										
X		8	D-CS-5412143-0-1		2	CIRCUIT SCHEM SLAVE BD.				2	E-IA-7011283-0-0		1	CHASSIS ASSY		
											B-MD-7414149-0-0		1	ROD, CENTER SUPPORT		
											B-MD-7414148-0-0		1	ROD, MAIN SUPPORT, FRONT		
											B-MD-7414147-0-0		1	ROD, CAP SUPPORT		
											B-MD-7414100-0-0		1	SUPPORT, FAN		
											B-MD-7414099-0-0		1	ROD, SIDE SUPPORT		
											B-MD-7414146-0-0		1	SUPPORT, FAN & CONTROL PANEL		
											B-MD-7414145-0-0		1	SUPPORT, CONN. PANEL		
											B-MD-7414098-0-0		1	GUIDE, CARD REAR		
											B-MD-7414097-0-0		1	GUIDE, CARD MIDDLE		
											B-MD-7414096-0-0		1	ROD, GUIDE		
											B-MD-7414095-0-0		1	ROD, BOTTOM SIDE, REAR		
											B-IA-7414205-0-0		1	BRKT, REAR FAN P.S. SUPPORT		
											B-MD-7414094-0-0		1	ROD, MIDDLE GUIDE		
											C-MD-7414093-0-0		1	BRKT, INPUT		
											B-MD-7414092-0-0		1	ROD, MAIN SUPPORT, MDI. & REAR		
											B-IA-7414204-0-0		1	SUPPORT STRAP, CAP, REAR		
											B-MD-7414091-0-0		1	SUPPORT STRAP, CAP, FRONT		
											B-IA-7414710-0-0		1	BRKT, FILTER		
											3	D-AD-7011569-0-0		1	REGULATOR ASSY	

CUSTOMER PRINT SET CODES
 X = PRINT OF DOCUMENT INCLUDED IN PRINT SET
 C = INCLUDES ALL PRINTS INDICATED ON DOCUMENT
 S = CONFIDENTIAL AUTHORIZED SIGNATURE REQUIRED

TITLE: DRAWING DIRECTORY H780
 SHEET 3 OF 4
 SIZE CODE: B DD
 NUMBER: H780-0
 REV: J



NUMBER	VARIATION
H780-B	H780 W/NO LINE CORD 115V/230V
H780-A	H780 MASTER CONSOLE LINE CORD 115V
H780-B	H780 WITH MASTER CONSOLE 230V LINE CORD
H780-C	H780 7NO CONS. & NO LINE CORD
H780-E	H780 115V SLAVE CONSOLE LINE CORD
H780-F	H780 230V SLAVE CONSOLE LINE CORD
H780-D	H780 230V/NO CONS. & NO LINE CORD
H780-H	H780 115V MASTER CONSOLE NO LINE CORD
H780-J	H780 230V MASTER CONSOLE NO LINE CORD
H780-K	H780 115V SLAVE CONSOLE NO LINE CORD
H780-L	H780 230V SLAVE CONSOLE NO LINE CORD
H780-M	H780 115V NO CONSOLE, NO FANS, NO LINE CORD
H780-N	H780 230V NO CONSOLE, NO FANS, NO LINE CORD

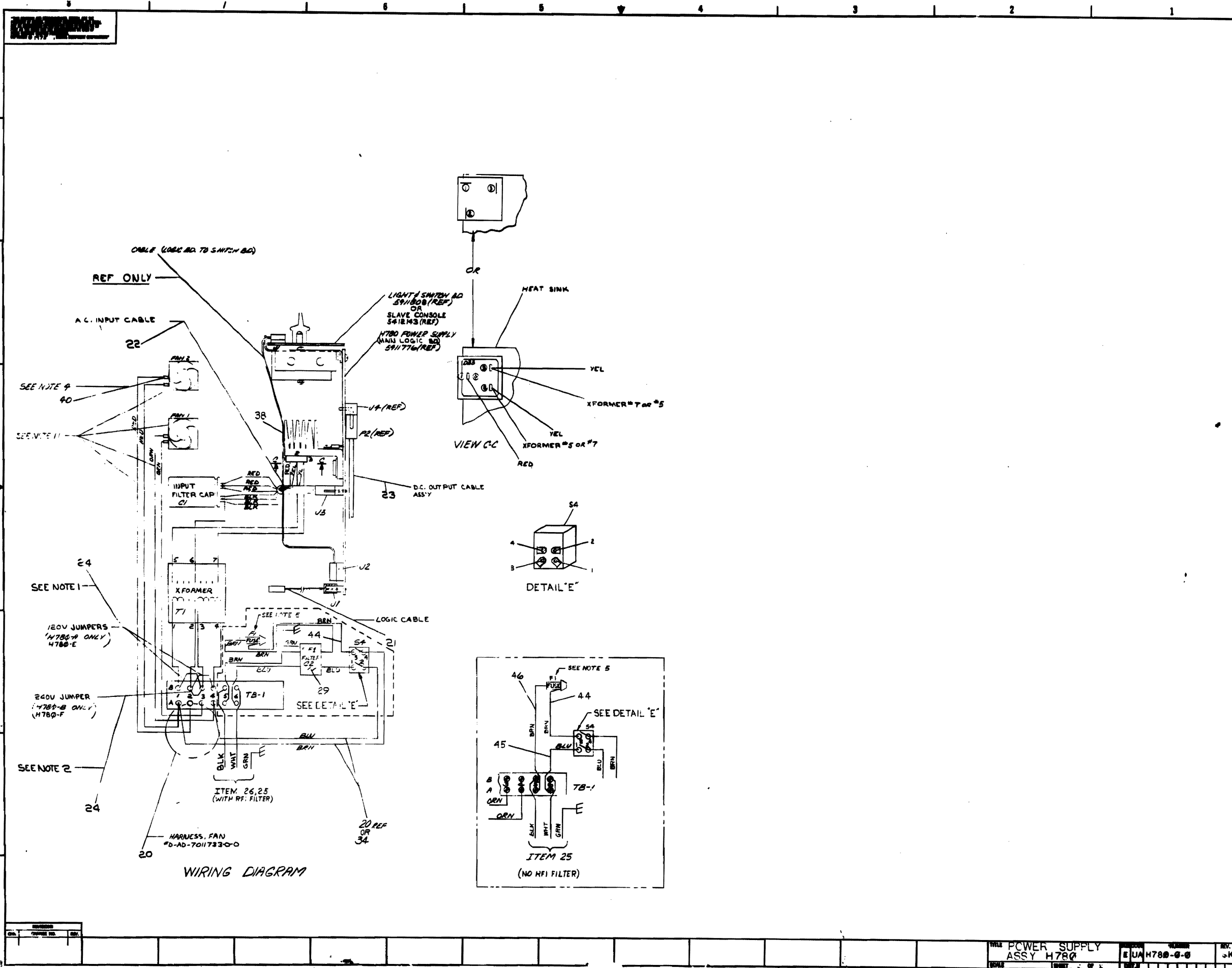
- NOTES:
- FOR 120V: 2 JUMPERS, ITEM #24, 5 AMP FUSE, ITEM #30, SHIELD (120V) ITEM #4, AND POWER CORD, ITEM #25 ARE REQUIRED TO BE INSTALLED PER THIS DRAWING.
 - FOR 240V: 1 JUMPER ITEM #24, 2.5 AMP FUSE, ITEM #31, SHIELD (240V) ITEM #28 AND POWER CORD, ITEM #26 ARE REQUIRED TO BE INSTALLED PER THIS DRAWING.
 - FOR WIRING DIAGRAM SEE SHEET 2.
 - SLIP ITEM #40 OVER FAN WIRES BEFORE SOLDERING & SLIP SHRINK TUBING OVER SOLDER CONN & SHRINK IN PLACE-4 PLACES. ANY COLOR SHRINK OK.
 - SLIP 1 INCH OF ITEM #41 (ANY COLOR) OVER CONNECTING WIRES BEFORE SOLDERING TO FUSE HOLDER. AFTER TERMINATION IS COMPLETE, SLIP TUBING OVER JOINT AND SHRINK.
 - VIEW B-B WHICH IS PART OF ITEM #1 IS SAME FOR ITEM 47 EXCEPT THERE ARE NO SWITCHES IN THIS ASSY. DISREGARD VIEW B-B FOR H780-C VARIATION.
 - REPLACE HARDWARE FURNISHED WITH CAP (FANY) BY ITEMS 61 & 62.
 - USE FLAT WASHER (ITEM 17) AS BEARING SURFACE ON CABLE CLAMP FOR POWER CORD, AT TOP OF UL SHIELD (ITEM 35).
 - CONNECT GROUND LUG FROM ITEM 23 UNDER KEP NUT ITEM 18 HOLDING THE BOTTOM OF THE UL SHIELD.
 - USE ADHESIVE, PERMA BOND 240 OR EQUIVALENT, TO SECURE ITEM 60.
 - FOR OPTIONS M & N NO FANS (ITEM 9) ARE USED. ALSO FAN HARNESS (ITEM 21) IS REPLACED BY MODIFIED FAN HARNESS (ITEM 34).

SEE C-PL-H780-0-0 FOR PARTS LIST

QTY	DESCRIPTION	UNIT	REVISION
1	POWER SUPPLY ASSY H780		
1	POWER SUPPLY ASSY H780		

ITEM NO.	DESCRIPTION	QTY	REVISION
1	POWER SUPPLY ASSY H780	1	
2
3
4
5
6
7
8
9
10
11
12
13
14
15
16
17
18
19
20
21
22
23
24
25
26
27
28
29
30
31
32
33
34
35
36
37
38
39
40
41
42
43
44
45
46
47
48
49
50
51
52
53
54
55
56
57
58
59
60
61
62
63
64
65
66
67
68
69
70
71
72
73
74
75
76
77
78
79
80

SECRET



WIRING DIAGRAM

REV.	DESCRIPTION

THIS DRAWING AND SPECIFICATIONS, HEREIN ARE THE PROPERTY OF DIGITAL EQUIPMENT CORPORATION AND SHALL NOT BE REPRODUCED OR COPIED OR USED IN WHOLE OR IN PART AS THE BASIS FOR THE MANUFACTURE OR SALE OF ITEMS WITHOUT WRITTEN PERMISSION. COPYRIGHT © 1976, DIGITAL EQUIPMENT CORPORATION

D

C

B

A

D

C

K

A

Item No.	Dwg./Part No.	Description	H780-B	H780-A	H780-B	H780-C	H780-E	H780-F	H780-D	H780-H	H780-J	H780-K	H780-L	H780-M	H780-N
			β	-A	B	C	E	F	D	H	J	K	L	M	N
1	E-IA-7011283-0-0	Chassis, Assy, Power Supply	1	1	1	1	1	1	1	1	1	1	1	1	1
2	1211348-00	Fuse Holder 20A, 250V	1	1	1	1	1	1	1	1	1	1	1	1	1
3	1204722	Toggle Switch D.P.S.T.	1	1	1	1	1	1	1	1	1	1	1	1	1
4	C-IA-7414416-0	Shield P.S. (H780A)	-	1	-	-	-	-	-	-	-	-	-	-	-
5	C-IA-7011667-0-0	Transformer Assy	1	1	1	1	1	1	1	1	1	1	1	1	1
6	1009966	Capacitor, 19,000 MFD, 40V	1	1	1	1	1	1	1	1	1	1	1	1	1
7	9006022-1	Screw Phl Hd Pan #6-32x.38	3	2	4	3	2	4	5	3	5	3	5	3	5
8	9009617	Tie Cable .19W x 11.0	2	2	2	2	2	2	2	2	2	2	2	2	2
9	1210719	Fan, Boxer 35 CPM 115V	2	2	2	2	2	2	2	2	2	2	2	-	-
10	9006633	Washer, Int. Tooth #6	4	6	8	6	6	8	8	6	8	6	8	6	8
11	D-AD-7011569-0-0	Regulator Assy	1	1	1	-	-	-	-	1	1	-	-	-	-
12	9007016	Gromet Rubber .50 I.D.	1	1	1	1	1	1	1	1	1	1	1	1	1
13	9000039-01	Screw Fl. Hd. #8-32 x .25 x 100	2	2	2	2	2	2	2	2	2	2	2	2	2
14	9006565	Nut, Kap 10-32	4	4	4	4	4	4	4	4	4	4	4	4	4
15	9006905	Terminal Block 6 Pos.	1	1	1	1	1	1	1	1	1	1	1	1	1
16	9006844	Spacer Threaded #6-32 x 3/8	2	2	2	2	2	2	2	2	2	2	2	2	2
17	9006653	Washer, Flat .156 ID x .380.D.	-	3	3	2	3	3	2	2	2	2	2	2	2
18	900656C	Nut, Kap #6-32	3	3	3	3	3	3	3	3	3	3	3	3	3
19	9006071-3	Scr. Ph. Hd Truss #10-32 x .38	4	4	4	4	4	4	4	4	4	4	4	4	4
20	D-IA-7011733-0-0	Harness, Fan	1	1	1	1	1	1	1	1	1	1	1	-	-
21	C-IA-7011411-βK-0	Cable, Logic	1	1	1	1	1	1	1	1	1	1	1	1	1
22	D-IA-7011658-0-0	Harness, Input	1	1	1	1	1	1	1	1	1	1	1	1	1
23	D-IA-7011584-0-0	Cable, DC Output	1	1	1	1	1	1	1	1	1	1	1	1	1
24	B-IA-7414691-0-0	Jumper	-	2	1	2	2	1	1	2	1	2	1	2	1
25	C-IA-7012075-1-0	Cable, Input Power 115V	-	1	-	-	1	-	-	-	-	-	-	-	-
26	C-IA-7012075-0-0	Cable, Input Power 240V	-	-	1	-	-	1	-	-	-	-	-	-	-
27	B-MD-7414712-0-0	Shield, U.L.	1	1	1	1	1	1	1	1	1	1	1	1	1
28	C-IA-7414416-1	Shield P.S. (H780 B)	-	-	1	-	-	-	-	-	-	-	-	-	-
29	C-IA-7011668-0-0	Filter	-	-	1	-	-	1	1	-	1	-	1	-	1
30	9007221	Fuse 5 Amp 250V	-	1	-	1	1	-	-	1	-	1	-	1	-
31	9008387	Fuse 2.5 Amp 250V	-	-	1	-	-	1	1	-	1	-	1	-	1
32	9006011-2	Scr. Ph. 82° Fl. Hd #4-40 x .38	4	4	4	4	4	4	4	4	4	4	4	-	-
33	9006557	Nut, Kap #4-40	4	4	4	4	4	4	4	4	4	4	4	-	-
34	D-IA-7011733-01	HARNES, FAN (MODIFIED)	-	-	-	-	-	-	-	-	-	-	-	1	1
35	9007082	Clamp .31 I.D.	-	1	1	-	1	1	-	-	-	-	-	-	-
36	9006025-1	Scr. Ph. Hd. Pan #6-32 x .62	2	2	2	2	2	2	2	2	2	2	2	2	2
37	9006020-1	Scr. Ph. Hd. Pan #6-32 x .25	-	2	2	2	2	2	2	2	2	2	2	2	2
38	9007834-00	Tape Double Sided	A/R	A/RA	A/RA	A/RA	A/RA	A/RA	A/RA	A/RA	A/RA	A/RA	A/RA	A/RA	A/RA
39	9009314-01	Label Switch (On-Off)	1	1	1	1	1	1	1	1	1	1	1	1	1
40	9107305	Tubing, Shrink	A/R	A/RA	A/RA	A/RA	A/RA	A/RA	A/RA	A/RA	A/RA	A/RA	A/RA	A/RA	A/RA
41	91-07253	Tube, Shrink	A/R	A/RA	A/RA	A/RA	A/RA	A/RA	A/RA	A/RA	A/RA	A/RA	A/RA	A/RA	A/RA
42	9009782-00	Ring Locking	1	1	1	1	1	1	1	1	1	1	1	1	1
43	9007880	Cable Tie	1	1	3	1	1	3	-	1	-	1	-	1	1

REV.	CHANGE NO.	ORIGINATED	DATE
D	H780-00004	J.C. KEARNS	23 Dec 76
E	H780-00005	J.C. KEARNS	23 Dec 76
F	H780-00006	J.C. KEARNS	23 Dec 76
H	H780-00007	J.C. KEARNS	23 Dec 76
J	H780-00008	J.C. KEARNS	23 Dec 76
K	H780-00009	J.C. KEARNS	23 Dec 76
L	H780-00010	J.C. KEARNS	23 Dec 76
M	H780-00011	J.C. KEARNS	23 Dec 76
N	H780-00012	J.C. KEARNS	23 Dec 76

DRN. M. Baptiste	6/27/75	FIRST USED ON	11/03	digital
CHK'D D. Healy	9/3/75	TITLE	Power Supply Assy H780	
ENGR. Martel	9/17/75	SIZE	C	
PROD. D. DeRome	9/17/75	PL	PL	
NEXT HIGHER ASSY.		NUMBER	H780-β-6	REV.
E-UA-BALL-M-β		DIST.		K
SCALE	None			
SHEET	1	OF	2	

THIS DRAWING AND SPECIFICATIONS, HEREIN ARE THE PROPERTY OF DIGITAL EQUIPMENT CORPORATION AND SHALL NOT BE REPRODUCED OR COPIED OR USED IN WHOLE OR IN PART AS THE BASIS FOR THE MANUFACTURE OR SALE OF ITEMS WITHOUT WRITTEN PERMISSION. COPYRIGHT © 1976, DIGITAL EQUIPMENT CORPORATION

Item No.	Dwg./Part No.	Description	H780-N	H780-A	H780-B	H780-C	H780-E	H780-F	H780-D	H780-H	H780-J	H780-K	H780-L	H780-M	H780-N
44	B-IA-7415282-0-0	Jumper, Fuse -SW	1	1	1	1	1	1	1	1	1	1	1	1	1
45	B-IA-7415281-0-0	Jumper, TB-SW	1	1	-	1	1	-	1	-	1	-	1	1	1
46	F-IA-7415283-0-0	Jumper, TB-Fuse	1	1	-	1	1	-	1	-	1	-	1	1	1
47	D-AD-7011569-1-0	Regulator Assy	-	-	-	1	1	-	1	-	-	1	1	-	-
48	D-AD-7011569-2-0	Regulator Assy	-	-	-	1	-	-	1	-	-	-	-	1	1
49	C-IA-7414416-3	Shield, PS, H780F	-	-	-	-	-	1	-	-	-	-	-	-	-
50	C-IA-7414416-2	Shield, PS, H780E	-	-	-	-	1	-	-	-	-	-	-	-	-
51	C-IA-7414416-4	Shield, PS, H780C	-	-	-	1	-	-	-	-	-	-	-	-	-
52	C-IA-7414416-5	Shield, PS, H780D	-	-	-	-	-	1	-	-	-	-	-	-	-
53	C-IA-7414416-6	Shield, PS, H780H	-	-	-	-	-	-	1	-	-	-	-	-	-
54	C-IA-7414416-7	Shield, PS, H780J	-	-	-	-	-	-	-	1	-	-	-	-	-
55	C-IA-7414416-8	Shield, PS, H780K	-	-	-	-	-	-	-	-	1	-	-	-	-
56	C-IA-7414416-9	Shield, PS, H780L	-	-	-	-	-	-	-	-	-	1	-	-	-
57	A-8P-3700263-01	Packaging Instructions	-	-	-	1	-	-	1	1	1	1	1	1	1
58	7008612-0M	Cable, Console	REF	REF	REF	REF	REF	REF	REF	REF	REF	REF	REF	REF	REF
59	C-IA-7414416-10	Shield, PS, H780M	-	-	-	-	-	-	-	-	-	-	-	1	-
60	9007035	Grommet, Caterpillar 2.75 in	A/R	A/R	A/R	A/R	A/R	A/R	A/R	A/R	A/R	A/R	A/R	A/R	A/R
61	9006635-00	Washer, Int. #10	2	2	2	2	2	2	2	2	2	2	2	2	2
62	9009669-01	Scr., Pan SLOTTED 10-32 X 5/16	2	2	2	2	2	2	2	2	2	2	2	2	2
63	9006036-01	Scr., Pan Hd. PHIL. 8-32 X 5/16	-	-	-	2	-	-	2	2	2	2	2	2	2
64	9009255	Label, POWER SUPPLY	1	1	1	1	1	1	1	1	1	1	1	1	1
65	4901230	Perma Bond Adhesive 240	A/R	A/R	A/R	A/R	A/R	A/R	A/R	A/R	A/R	A/R	A/R	A/R	A/R
66	C-IA-7414416-0-11	Shield, PS, H780N	-	-	-	-	-	-	-	-	-	-	-	-	1
67	9006024-1	SCREW, PHL. PAN HD. 6-32 X .50	-	1	1	-	1	1	-	-	-	-	-	-	-

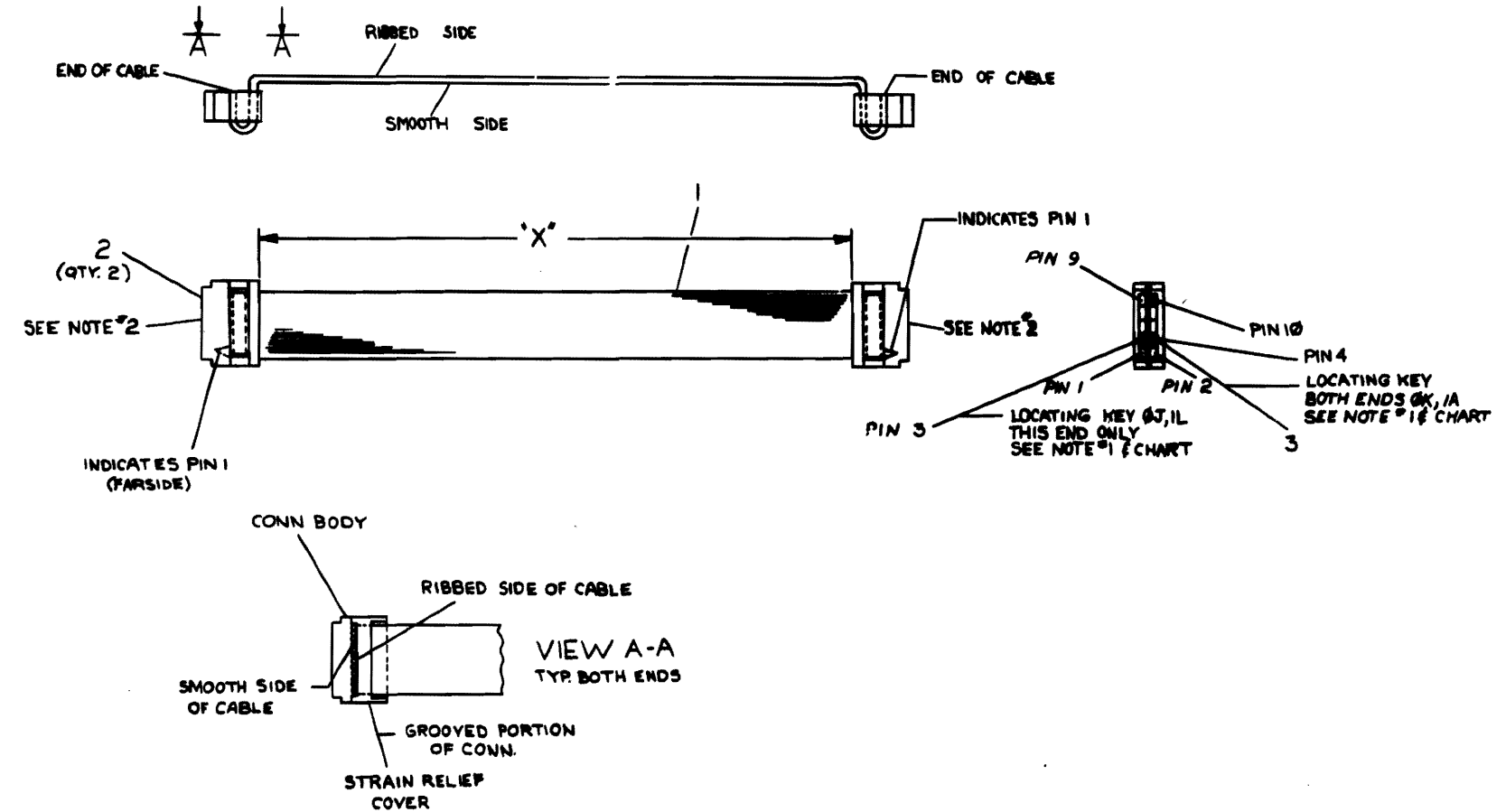
REV.	
CHANGE NO.	
CHK	

DRN. Baptiste	6/27/75	FIRST USED ON	11/03	digital
CHK'D. Healy	9/3/75	TITLE	Power Supply Assy H780	
ENG. R. Martel	9/17/75			
PROJ. ENG. Rouleau	9/17/75			
PRODD. DeRome	9/17/75			
NEXT HIGHER ASSY.				
E-UA-BALL-M-β		SIZE	CODE	NUMBER
SCALE None		C	PL	H780-β-β
SHEET 2	OF 2	DIST.		REV. K

D
C
B
A
 H780-0-0
 K

LEGEND			
NUMBER	QUANTITY	USED ON	KEY PIN
70H4H-6J	8 IN ± .5 IN	BAN-L OR K	10
70H4H-6K	9 IN ± .5 IN	LS1-11	8
70H4H-1D	1 FT-4 IN ± 1/8 IN	KYN-LB	
70H4H-2D	2 FT-4 IN ± 1/8 IN	BAN-F200 PVP	2
70H4H-6N	7 IN ± .5 IN	HTB-1,2,3	
70H4H-1F	1 FT-6 IN ± 1/8 IN	1164/34-7A	
70H4H-1L	1 FT-10 IN ± 1/8 IN	BAN-L,HT77	PIN 3 1 END
70H4H-1A	1 FT-4 IN ± 1/8 IN	HTB7	
70H4H-3J	3 FT-6 IN ± 1/8 IN	BAN-K72B	
70H4H-8J	8 FT-6 IN ± 1/8 IN	BAN-K72B	NO KEY
70H4H-8P	8 FT-6 IN ± 1/8 IN	1160	8 CONDUCT
70H4H-12	12 FT ± 3 IN	KA570	

NOTES:
 1. INSERT KEY IN PROPER CONNECTOR PIN AND BREAK OFF TAB.
 2. FOR ITEM (2) DRAWING IS SHOWING 3M CONNECTOR.



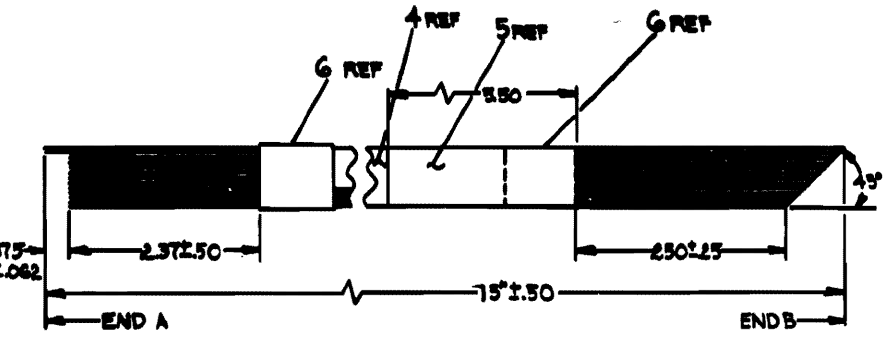
DESCRIPTION	DWG. PART NO.	ITEM NO.
1 TIE, CABLE	9007031	5
1 LABEL, CABLE IDENT.	9009532	4
1 KEY	9009707	3
2 CONN. CRIMP	1211206-02	2
1 CABLE, 10 CONDUCT	9107747-02	1

THIRD ANGLE PROJECTION	DRN. BAPTIST 5-20-75	FIRST USED ON	SEE LEGEND
	CHKD. HEALY 5-13-75	TITLE	CABLE CONSOLE BACKPLANE
REMOVE BURRS AND BREAK SHARP CORNERS	ENG. R. BARRY 5-19-75	SCALE	NONE
DO NOT SCALE DWG.	PROL. ENG. R. BARRY 5-18-75	SHEET	1 OF 1
MATERIAL SEE PARTS LIST	NEXT HIGHER ASSY.	SIZE CODE	D IA 7011411-0-0
PRINTED		NUMBER	M
		REV.	

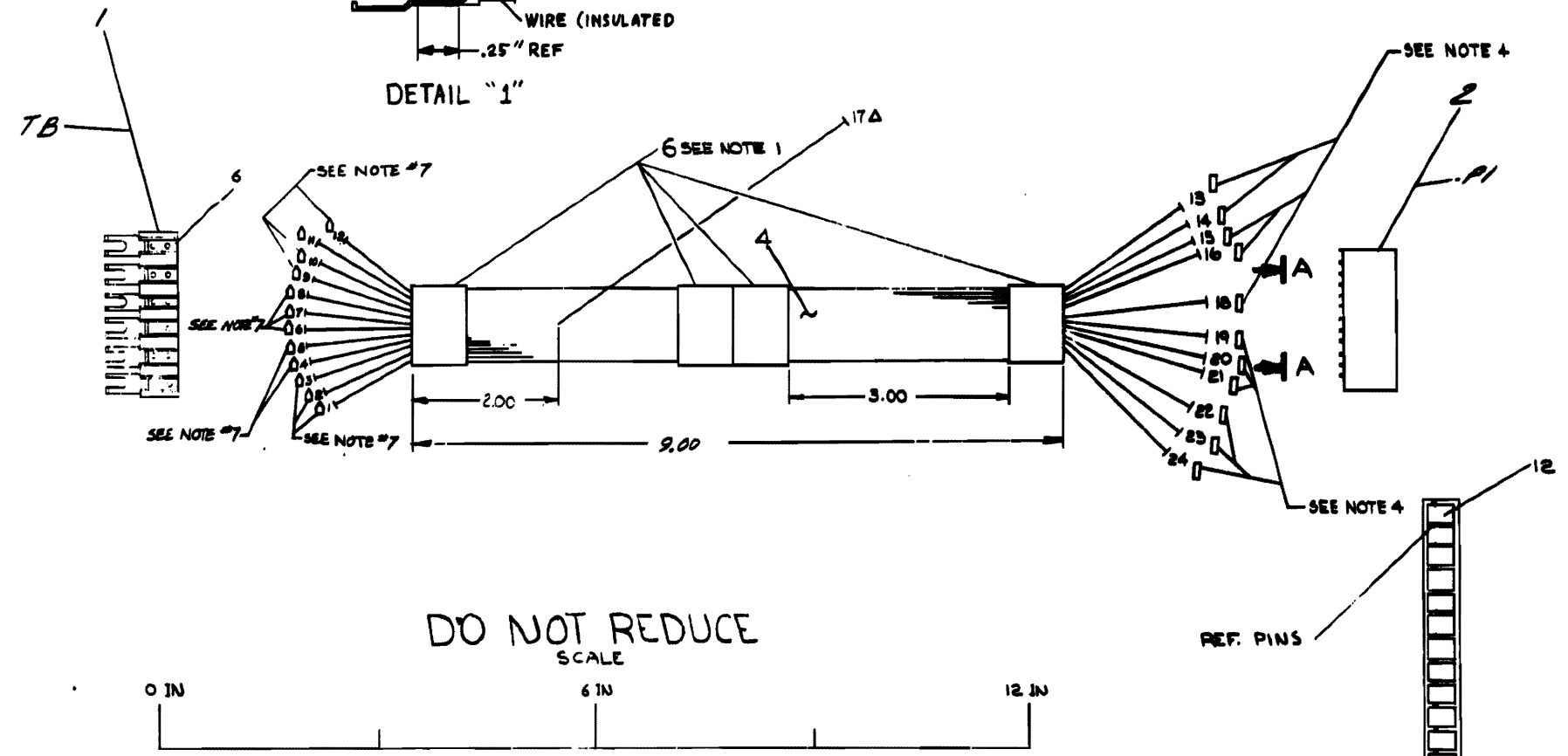
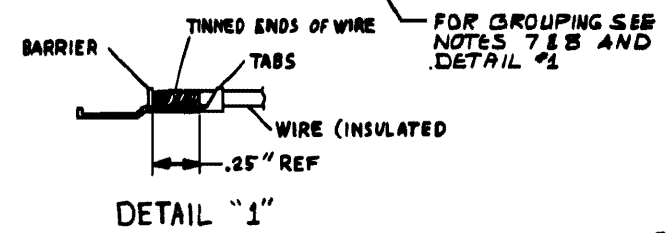
CHKD.	HEALY	5-13-75
ENG.	BAPTIST	5-20-75
PROL.	BARRY	5-19-75
DRN.	BAPTIST	5-20-75

D IA 7011411-0-0

WIRE TABLE										
ITEM NO	DESCRIPTION	COLOR	FROM			TO			TERMINATION	REMARKS
			CONNECTION	POINT	TERMINATION	CONNECTION	POINT	TERMINATION		
4	18	RED		1	TWIST	PI-1	24	3		
		BLK	TB-2	2	TWIST	PI-2	23	4		
		BLK		3	TIN & SOLDER	PI-3	22	5		
		WHT	TB-3	4		PI-4	21	6		
		GRY		5		PI-5	20	7		
		VIO		6		PI-6	19	8		
		BLU	TB-4	7		PI-7	18	9		
		GRN		8			17	7		
		YEL		9		PI-9	16	3		
		BRN	TB-5	10		PI-10	15	4		
		RED	TB-1	11		PI-11	14	4		
4	18	GRN	TB-6	12		PI-12	13	3		



- NOTES:
1. CUT LENGTH OF ITEM 4 APPROXIMATELY 10 IN. WRAP ONE END OF TAPE, ITEM 6 IN FOUR PLACES AS SHOWN IN DETAIL 2.
 2. PEEL WIRES 13 THROUGH 24 APART DOWN TO TAPE.
 3. PEEL WIRES 1 THROUGH 12 APART IN GROUPS OF 1, 2, OR 3, AS SHOWN DOWN TO TAPE.
 4. FASTEN TO NAIL BOARD AND CUT TO PROPER LENGTHS. 13 THRU 24 SHOULD BE CUT AT 45 ANGLE (SEE DETAIL 2).
 5. STRIP AND CRIMP ITEM 3 TO WIRES 13 THROUGH 24 EXCEPT #17.
 6. PEEL WIRE #17 BACK TO 2" FROM TAPE. CUT TO PROPER LENGTH. (APPROXIMATELY 6" FROM BREAK OUT POINT.) STRIP 1/4" BACK AND CRIMP ITEM 3.
 7. GROUP ENDS OF WIRES 1 THROUGH 12 1/4" TO 3/4" BACK AND TIGHT END OF IDENTIFIED GROUPS TOGETHER. (1, 2 & 3; 4 & 5; 6, 7, 8; 9, 10, 11, 12) FOR BOND.
 8. PLACE TINNED ENDS ON POSITIONING STRIP. (ITEM 1) TO BORDER (SEE DETAIL 1) AND SOLDER. (SEE WIRE TABLE FOR CONNECTIONS.) BOND THIS SIDE ONLY TO PROVIDE GOOD STRAIN RELIEF. INSULATION SHOULD BE UNDER TAPS.
 9. PLACE WIRES 13 THROUGH 24 IN ITEM 2 AS INDICATED IN WIRE TABLE AND REFERENCING VIEW A.
 10. CUT AND ASSEMBLE ITEM 5 TO CABLE AS SHOWN IN DETAIL 2.
 11. BEND CABLE AT 6.25 ± .25 FROM OUTER EDGE OF P1 CONNECTOR. BEND TO BE OPPOSITE FOAM TAPE (ITEM 5) SIDE OF CABLE.



VIEW A-A WIRING SIDE SCALE: 2-1

QTY	DESCRIPTION	QTY	DESCRIPTION	QTY	DESCRIPTION
1	LABEL	9009532	3		
1	TIE WRAP	9007031	3		
1	TERM, RING TONGUE	9007929-00	7		
1	WR TAPE, ELECTRIC, BLK PLASTIC	9003507	6		
1	TAPE, ADHESIVE, BK	9008379-00	5		
1	CABLE, 12 WIRE	1700057	4		
1	TERM, CRIMP	1212203-00	3		
1	CONN, MS6 12 PIN	1212620-01	2		
1	CONN STRIP 6 LU6	1212698-00	1		

QUANTITY & VARIATION	DESCRIPTION	DWG. PART NO.	ITEM NO.																		
	UNLESS OTHERWISE SPECIFIED DIMENSIONS ARE IN INCHES																				
	<table border="1"> <tr> <th>AS BUILT</th> <th>AS ORDERED</th> <th>AS SHOWN</th> <th>AS ORDERED</th> <th>AS SHOWN</th> <th>AS ORDERED</th> <th>AS SHOWN</th> <th>AS ORDERED</th> <th>AS SHOWN</th> </tr> <tr> <td></td> <td></td> <td></td> <td></td> <td></td> <td></td> <td></td> <td></td> <td></td> </tr> </table>			AS BUILT	AS ORDERED	AS SHOWN	AS ORDERED	AS SHOWN	AS ORDERED	AS SHOWN	AS ORDERED	AS SHOWN									
AS BUILT	AS ORDERED	AS SHOWN	AS ORDERED	AS SHOWN	AS ORDERED	AS SHOWN	AS ORDERED	AS SHOWN													
THIRD ANGLE PROJECTION	CHK'D BY: [Signature]	DATE: 7/5/53	FIRST USED ON: 1163																		
REMOVE BURRS AND BREAK SHARP CORNERS	ENG. [Signature]	DATE: 7/1/53	TITLE: CABLE, DC OUTPUT																		
DO NOT SCALE DIMS	PROJ. ENG. [Signature]	DATE: 7/1/53	REV. D																		
MATERIAL SEE PARTS LIST	NEXT HIGHER ASBY.		SIZE CODE: D																		
FINISH: [Symbol]			SCALE: 1/1																		
			NUMBER: 7011584-0-C																		
			REV. D																		

NO.	NAME	DATE
1	J. BIRO	6 Aug 53
2	F. KEARNS	10 Aug 53
3	L. J. TORRESA	27 Aug 53
4	D. BENNETT	30 Aug 53
5	M. QUADRI	31 Aug 53

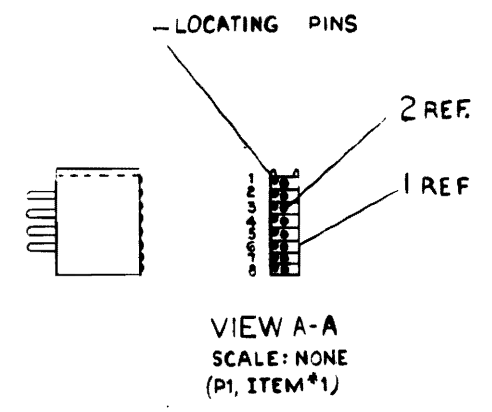
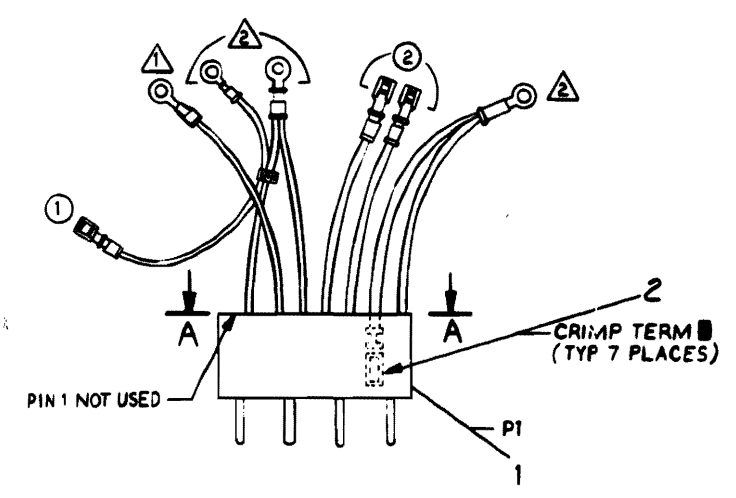
"THIS DRAWING AND SPECIFICATIONS, HEREIN, ARE THE PROPERTY OF DIGITAL EQUIPMENT CORPORATION AND SHALL NOT BE REPRODUCED OR COPIED OR USED IN WHOLE OR IN PART AS THE BASIS FOR THE MANUFACTURE OR SALE OF ITEMS WITHOUT WRITTEN PERMISSION. COPYRIGHT © 1975, DIGITAL EQUIPMENT CORPORATION"

WIRE TABLE									
ITEM NO.	DESCRIPTION	FROM	TO	WIRE LENGTH					
3	18 YEL	P1-6	ITEM#11	3.0 IN					
3	↑ YEL	P1-5	ITEM#11	3.0 IN					
4	↑ BLK	P1-3	ITEM#10	4.0 IN					
4	↓ BLK	P1-8	ITEM#8	4.0 IN					
4	↓ BLK	P1-7	ITEM#8	4.0 IN					
5	↓ RED	P1-4	ITEM#8	3.5 IN					
5	18 RED	P1-2	ITEM#2	3.5 IN					
6	14 RED	ITEM#7	ITEM#8	3.75 IN					

SEE NOTE #1

NOTES:
1. MAKE ALL CONNECTIONS USING WIRE TABLE AND PRECUT LENGTHS NOTED THERE.

SEE DETAIL 'A' FOR P-1 PIN LOCATIONS



SYM	QTY	DESCRIPTION	DWG./PART NO.	ITEM NO.
1		LABEL, IDENTIFICATION	9009532	12
2		TERM, QUICK CONN, (RED)	9007970	11
△	1	TERMINAL RING RED	9007930-00	10
X	2	TIE, CABLE	9007031	9
△	3	TERMINAL RING BLU	9007928-00	8
①	1	FASTON TAB BLU	9007969	7
A/R		WIRE #14 AWG (RED)	9107370-22	6
A/R		WIRE #18 AWG (RED)	9107360-22	5
A/R		WIRE #18 AWG (BLK)	9107360-00	4
A/R		WIRE #18 AWG (YEL)	9107360 44	3
■	7	TERMINAL CRIMP	1212203-00	2
1	1	CONN, HSG 8 PIN	1212620-00	1

SEE WIRE C-HART FOR WIRE LENGTHS

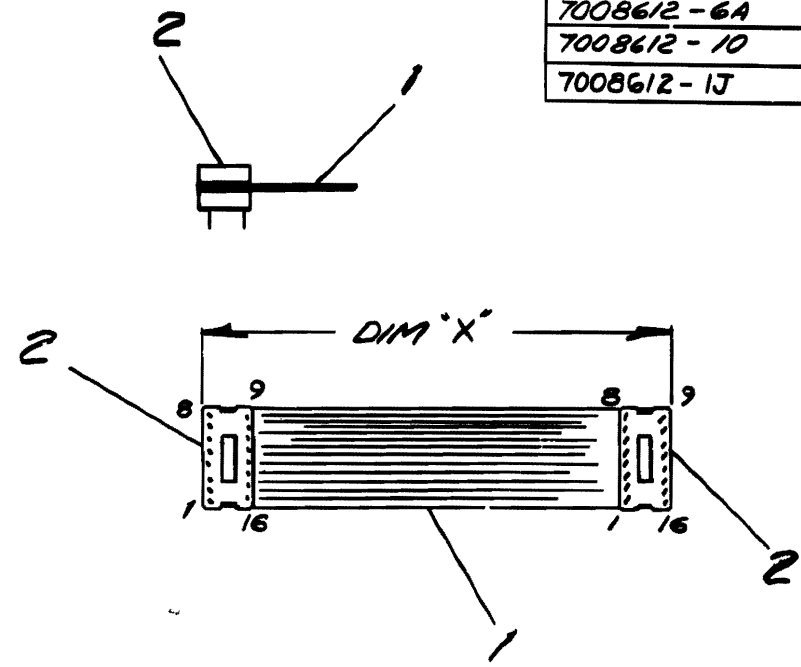
REV	DATE	BY	CHK'D
1	11/03/75	R. MARTEL	D. DRAYTON
2	11/03/75	D. DRAYTON	
3	11/03/75	D. DRAYTON	
4	11/03/75	D. DRAYTON	
5	11/03/75	D. DRAYTON	
6	11/03/75	D. DRAYTON	
7	11/03/75	D. DRAYTON	
8	11/03/75	D. DRAYTON	

THIRD ANGLE PROJECTION	DRN. G. DRAYTON 11/23/75	FIRST USED ON	11/03
REMOVE BURRS AND BREAK SHARP CORNERS	CHK'D D. HEALY 9/9/75	TITLE	HARNESS AC INPUT
DO NOT SCALE DIMS	ENG. R. MARTEL 9/9/75	SIZE	D
MATERIAL SEE PARTS LIST	PROD. ENGR. W. R. 9/9/75	CODE	IA
FINISH	PROD. C. DEPOME 9/9/75	NUMBER	7011658-C-0
		SCALE	1/1
		SHEET	1 OF 1
		DIST.	

This drawing and specifications, herein, are the property of Digital Equipment Corporation and shall not be reproduced or copied or used in whole or in part as the basis for the manufacture or sale of items without written permission. 1972

LEGEND	
NUMBER	VARIATION
7008612-0D	Ø W
7008612-1B	1 1/2 IN.
7008612-1F	1 1/8 IN.
7008612-03	3 FT.
7008612-0F	6 IN.
7008612-0K	9 IN. ± 1 IN.
7008612-4A	4 9/16 IN. ± 1 IN.
7008612-0M	11 IN.
7008612-02	2 FT. ± 1 IN.
7008612-6A	6 FT. 1 IN. ± 2 IN.
7008612-10	10 FT. ± 2 IN.
7008612-1J	20 IN.

NOTES:



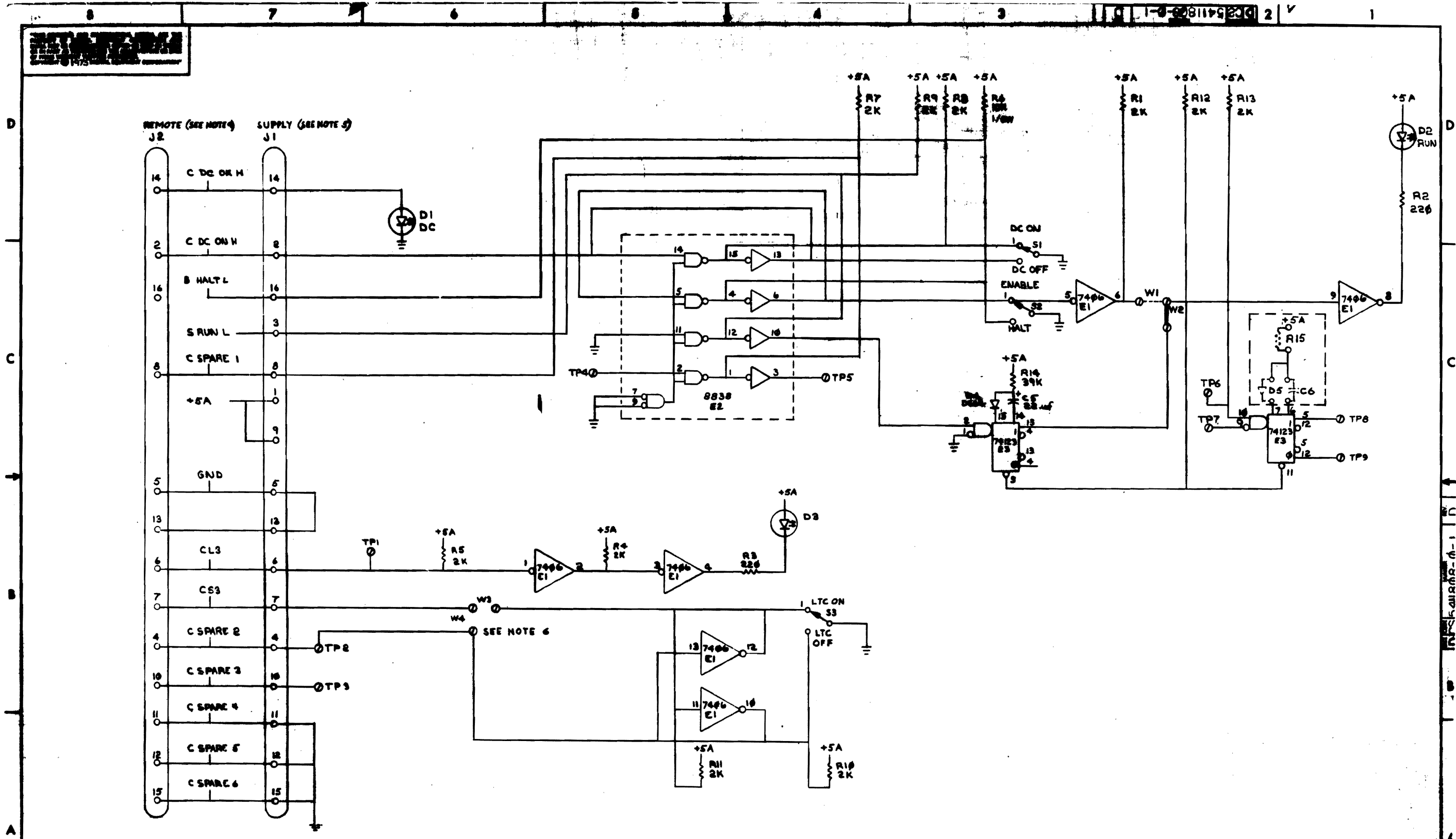
REV.	CHANGE NO.	BY	DATE
A	LK 40-00001	Carlson	6-8-72
B	GT 40-00001	Crabbe	10-19-72
C	7008612-00001	Kalisher	6-12-74
D	7008612-00002	Kalisher	6-17-74
E	7008612-00003	Mitnansky	9-20-74
F	LA36-00111	Gershnow	2-12-75
G	7008612-00004	Cohan	8-19-75
H	7008612-00005	Camelio	2-4-76
I	7008612-00006	Biro	2-20-76
J	7008612-00007	Bennett	25 April 77
K	7008612-00008	Martel	20 July 77

DECIMALS	ANGLES
.XXX - .006	± 0° 30'
.XX - .02	
.X - .1	

QTY.	DESCRIPTION	PART NO.	ITEM NO.
1	LABEL, IDENTIFICATION	9009532-00	4
1	TIE, CABLE	9007031-00	3
2	SOCKET 15 CONTACTS	1210722	2
1	CABLE 25 AWG SHD 15 COND	2107250	1

FIRST USED ON OPTION/MODEL		PARTS LIST	
VT05		DATE 10-1-71	digital EQUIPMENT CORPORATION MAYNARD MASSACHUSETTS
UNLESS OTHERWISE SPECIFIED DIMENSION IN INCHES. TOLERANCES		DATE 10-4-71	
REMOVE BURRS AND BREAK SHARP CORNERS SURFACE QUALITY ✓		DATE 10-14-71	
MATERIAL		DATE 10-14-71	
FINISH		TITLE CABLE, KEYBOARD	
NEXT HIGHER ASSY.		SIZE CODE C IA	
SCALE		NUMBER 7008612-0-0	
SHEET / OF /		REV. M	

REV. M
NUMBER 7008612-0-0
SIZE CODE C IA



REV.	DESCRIPTION	DATE

