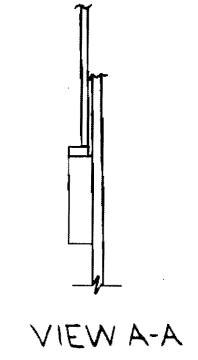
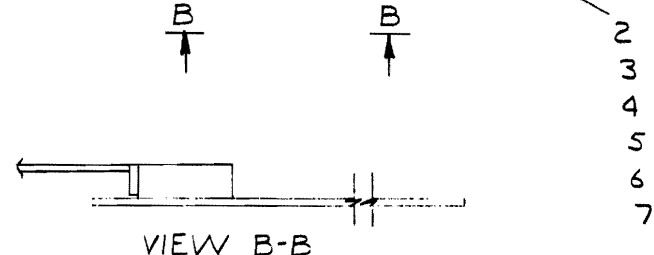
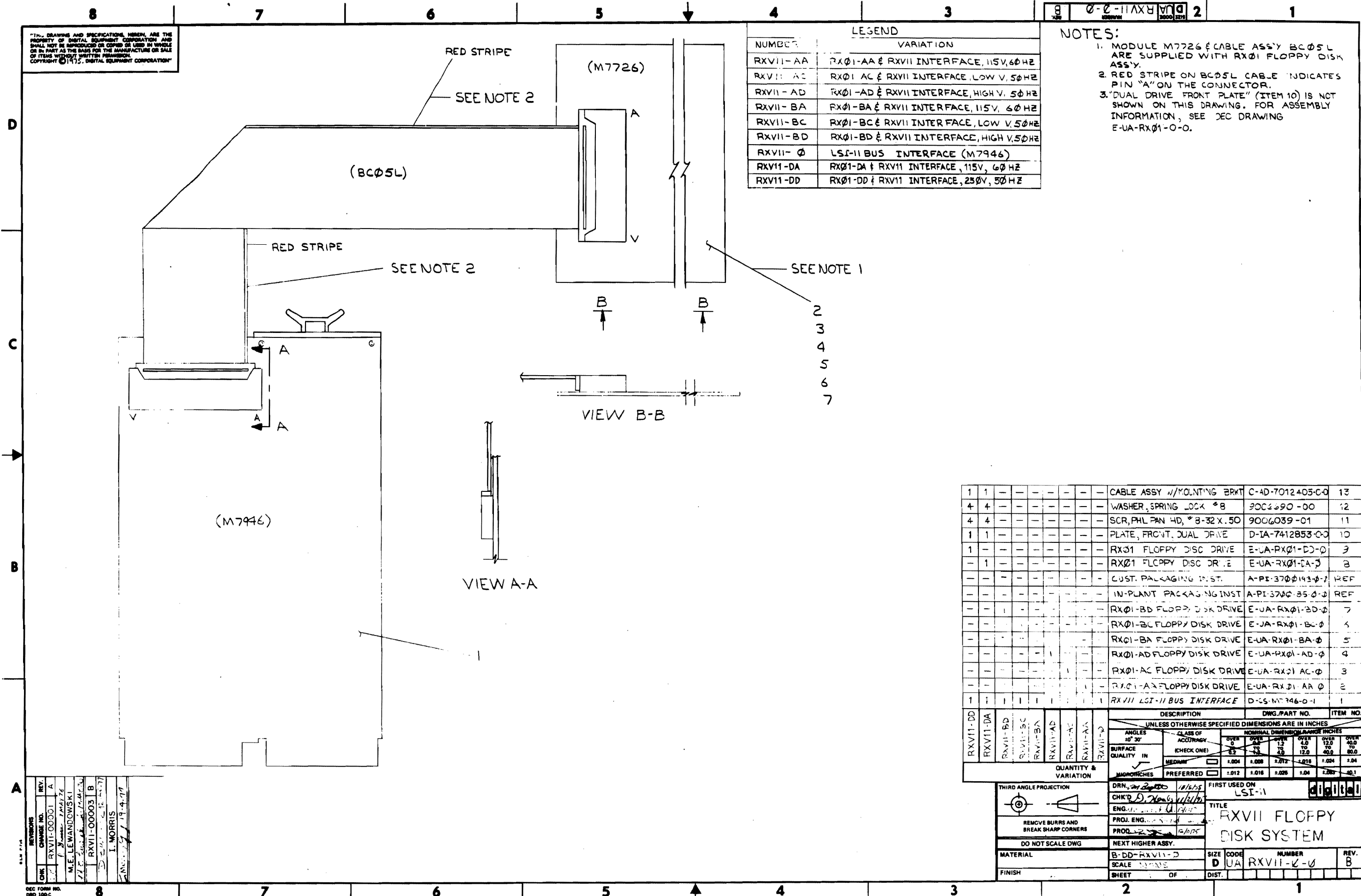


"ALL DRAWINGS AND SPECIFICATIONS HEREIN ARE THE PROPERTY OF DIGITAL EQUIPMENT CORPORATION AND SHALL NOT BE REPRODUCED OR COPIED OR USED IN WHOLE OR IN PART AS THE BASIS FOR THE MANUFACTURE OR SALE OF ITEMS WITHOUT WRITTEN PERMISSION. COPYRIGHT © 1975, DIGITAL EQUIPMENT CORPORATION"

NUMBER	VARIATION
RXVII-AA	RX01-AA & RXVII INTERFACE, 115V, 60 HZ
RXVII-AC	RX01-AC & RXVII INTERFACE, LOW V, 50 HZ
RXVII-AD	RX01-AD & RXVII INTERFACE, HIGH V, 50 HZ
RXVII-BA	RX01-BA & RXVII INTERFACE, 115V, 60 HZ
RXVII-BC	RX01-BC & RXVII INTERFACE, LOW V, 50 HZ
RXVII-BD	RX01-BD & RXVII INTERFACE, HIGH V, 50 HZ
RXVII-Ø	LSI-11 BUS INTERFACE (M7946)
RXVII-DA	RX01-DA & RXVII INTERFACE, 115V, 60 HZ
RXVII-DD	RX01-DD & RXVII INTERFACE, 250V, 50 HZ

NOTES:

1. MODULE M7726 & CABLE ASSY BC05L ARE SUPPLIED WITH RX01 FLOPPY DISK ASSY.
2. RED STRIPE ON BC05L CABLE INDICATES PIN "A" ON THE CONNECTOR.
3. "DUAL DRIVE FRONT PLATE" (ITEM 10) IS NOT SHOWN ON THIS DRAWING. FOR ASSEMBLY INFORMATION, SEE DEC DRAWING E-UA-RX01-0-0.

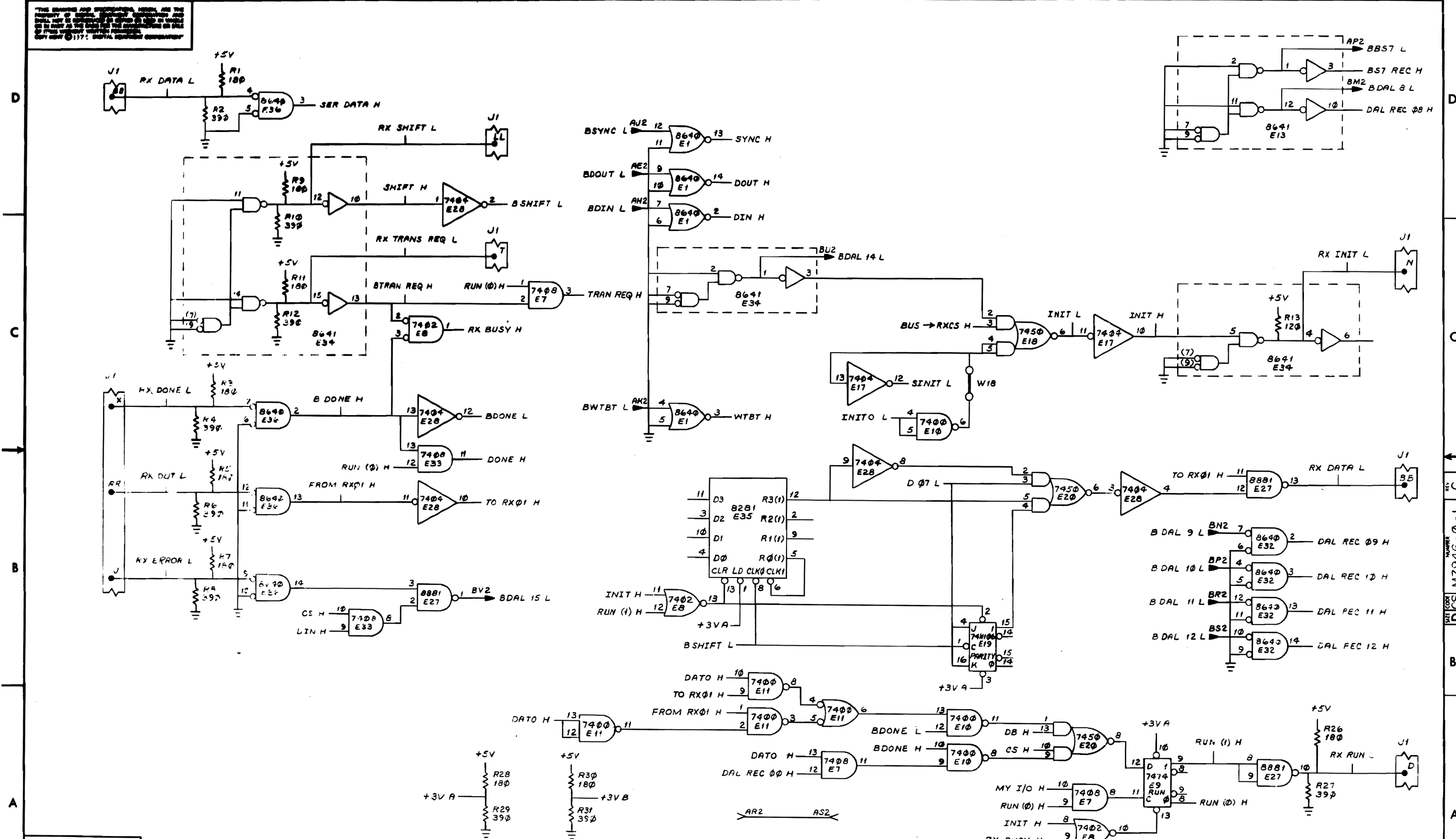


QTY	DESCRIPTION	DWG. PART NO.	ITEM NO.
1	CABLE ASSY // MOUNTING BRKT	C-4D-7012405-00	13
4	WASHER, SPRING LOCK #8	9002090-00	12
4	SCR, PHL PAN HD, #8-32 X.50	9006039-01	11
1	PLATE, FRONT, DUAL DRIVE	D-1A-7412853-00	10
1	RX01 FLOPPY DISK DRIVE	E-UA-RX01-DD-Ø	9
1	RX01 FLOPPY DISK DRIVE	E-UA-RX01-DA-Ø	8
	CUST. PACKAGING INST.	A-PI-370Ø193-Ø-Ø	REF
	IN-PLANT PACKAGING INST.	A-PI-370Ø85-Ø-Ø	REF
	RX01-BD FLOPPY DISK DRIVE	E-UA-RX01-BD-Ø	7
	RX01-BC FLOPPY DISK DRIVE	E-UA-RX01-BC-Ø	6
	RX01-BA FLOPPY DISK DRIVE	E-UA-RX01-BA-Ø	5
	RX01-AD FLOPPY DISK DRIVE	E-UA-RX01-AD-Ø	4
	RX01-AC FLOPPY DISK DRIVE	E-UA-RX01-AC-Ø	3
	RX01-AA FLOPPY DISK DRIVE	E-UA-RX01-AA-Ø	2
1	RXVII LSI-11 BUS INTERFACE	D-5-M7946-0-1	1

<p>THIRD ANGLE PROJECTION</p> <p>REMOVE BURRS AND BREAK SHARP CORNERS</p> <p>DO NOT SCALE DWG</p> <p>MATERIAL</p> <p>FINISH</p>	<p>UNLESS OTHERWISE SPECIFIED DIMENSIONS ARE IN INCHES</p> <table border="1"> <tr> <th>CLASS OF ACCURACY</th> <th>OVER 0.005</th> <th>OVER 0.005 TO 0.015</th> <th>OVER 0.015 TO 0.030</th> <th>OVER 0.030 TO 0.060</th> <th>OVER 0.060 TO 0.120</th> <th>OVER 0.120 TO 0.300</th> <th>OVER 0.300 TO 0.600</th> <th>OVER 0.600 TO 1.200</th> <th>OVER 1.200 TO 2.500</th> <th>OVER 2.500 TO 5.000</th> <th>OVER 5.000 TO 10.000</th> <th>OVER 10.000 TO 25.000</th> <th>OVER 25.000 TO 50.000</th> <th>OVER 50.000 TO 100.000</th> </tr> <tr> <td>(CHECK ONE)</td> <td>±0.005</td> <td>±0.004</td> <td>±0.003</td> <td>±0.002</td> <td>±0.0015</td> <td>±0.001</td> <td>±0.0007</td> <td>±0.0005</td> <td>±0.0003</td> <td>±0.0002</td> <td>±0.00015</td> <td>±0.0001</td> <td>±0.00007</td> <td>±0.00005</td> </tr> </table> <p>QUANTITY & VARIATION</p> <p>DESCRIPTION</p> <p>DWG. PART NO.</p> <p>ITEM NO.</p> <p>FIRST USED ON</p> <p>TITLE</p> <p>SIZE</p> <p>SCALE</p> <p>SHEET OF</p>	CLASS OF ACCURACY	OVER 0.005	OVER 0.005 TO 0.015	OVER 0.015 TO 0.030	OVER 0.030 TO 0.060	OVER 0.060 TO 0.120	OVER 0.120 TO 0.300	OVER 0.300 TO 0.600	OVER 0.600 TO 1.200	OVER 1.200 TO 2.500	OVER 2.500 TO 5.000	OVER 5.000 TO 10.000	OVER 10.000 TO 25.000	OVER 25.000 TO 50.000	OVER 50.000 TO 100.000	(CHECK ONE)	±0.005	±0.004	±0.003	±0.002	±0.0015	±0.001	±0.0007	±0.0005	±0.0003	±0.0002	±0.00015	±0.0001	±0.00007	±0.00005
CLASS OF ACCURACY	OVER 0.005	OVER 0.005 TO 0.015	OVER 0.015 TO 0.030	OVER 0.030 TO 0.060	OVER 0.060 TO 0.120	OVER 0.120 TO 0.300	OVER 0.300 TO 0.600	OVER 0.600 TO 1.200	OVER 1.200 TO 2.500	OVER 2.500 TO 5.000	OVER 5.000 TO 10.000	OVER 10.000 TO 25.000	OVER 25.000 TO 50.000	OVER 50.000 TO 100.000																	
(CHECK ONE)	±0.005	±0.004	±0.003	±0.002	±0.0015	±0.001	±0.0007	±0.0005	±0.0003	±0.0002	±0.00015	±0.0001	±0.00007	±0.00005																	

REV.	CHG.	DATE	BY	APP.
1	A	1/14/75	M.E. LEWANDOWSKI	
2	B	2/11/75	I. MORRIS	

THE SCHEMATIC AND SPECIFICATIONS HEREIN ARE THE PROPERTY OF DIGITAL EQUIPMENT CORPORATION AND SHALL NOT BE REPRODUCED OR TRANSMITTED IN ANY FORM OR BY ANY MEANS, ELECTRONIC OR MECHANICAL, INCLUDING PHOTOCOPYING, RECORDING, OR BY ANY INFORMATION STORAGE AND RETRIEVAL SYSTEM WITHOUT PERMISSION IN WRITING FROM DIGITAL EQUIPMENT CORPORATION.



REVISIONS		
CHK	CHANGE NO	REV