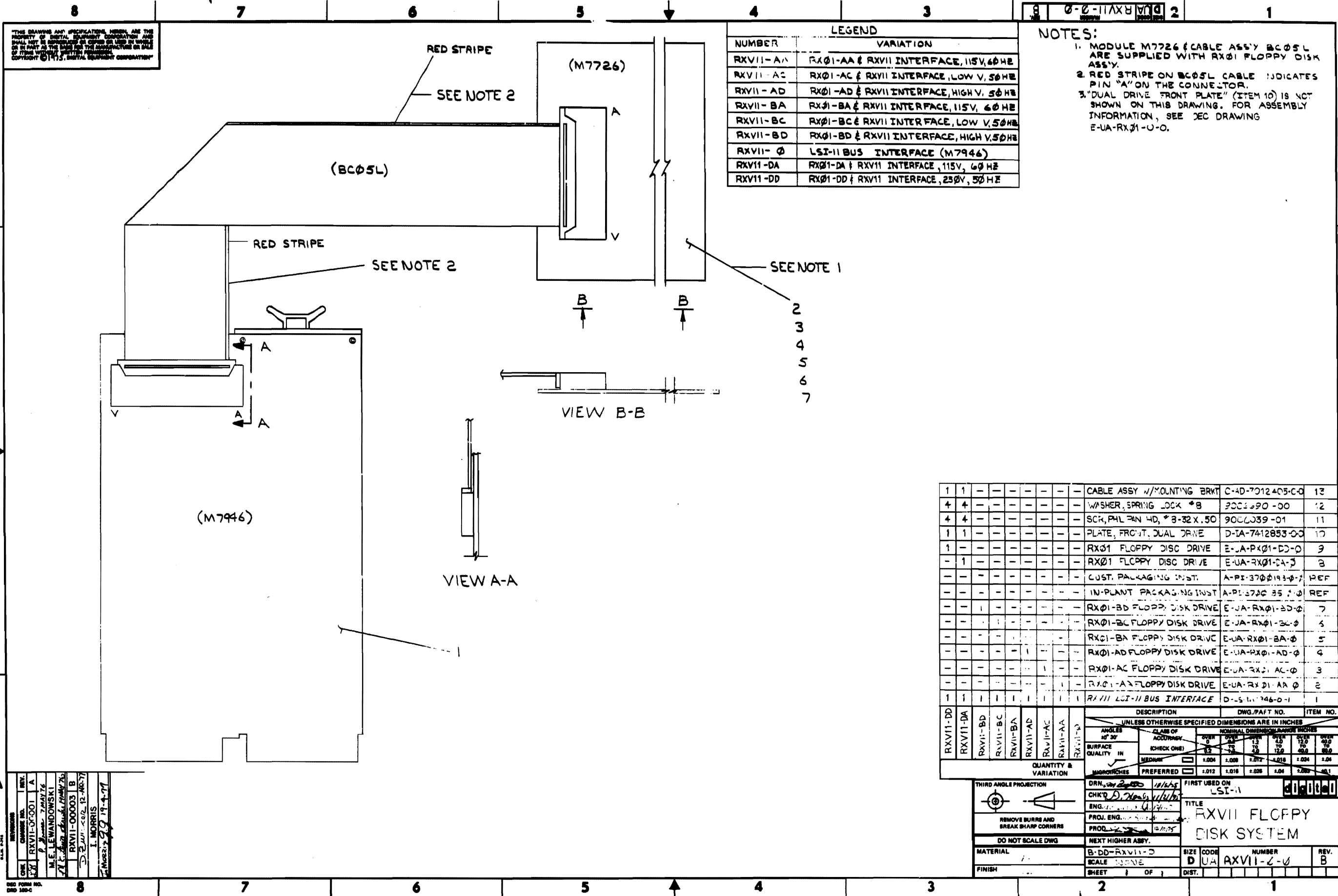


THIS DRAWING AND SPECIFICATIONS HEREIN ARE THE PROPERTY OF DIGITAL EQUIPMENT CORPORATION AND SHALL NOT BE REPRODUCED OR COPIED OR USED IN WHOLE OR IN PART AS THE BASIS FOR THE MANUFACTURE OR SALE OF ITEMS WITHOUT WRITTEN PERMISSION. COPYRIGHT © 1975, DIGITAL EQUIPMENT CORPORATION



LEGEND	
NUMBER	VARIATION
RXVII-AA	RX01-AA & RXVII INTERFACE, 115V, 60 HZ
RXVII-AC	RX01-AC & RXVII INTERFACE, LOW V, 50 HZ
RXVII-AD	RX01-AD & RXVII INTERFACE, HIGH V, 50 HZ
RXVII-BA	RX01-BA & RXVII INTERFACE, 115V, 60 HZ
RXVII-BC	RX01-BC & RXVII INTERFACE, LOW V, 50 HZ
RXVII-BD	RX01-BD & RXVII INTERFACE, HIGH V, 50 HZ
RXVII-0	LSI-11 BUS INTERFACE (M7946)
RXVII-DA	RX01-DA & RXVII INTERFACE, 115V, 60 HZ
RXVII-DD	RX01-DD & RXVII INTERFACE, 250V, 50 HZ

NOTES:
 1. MODULE M7726 & CABLE ASSY BC05L ARE SUPPLIED WITH RX01 FLOPPY DISK ASSY.
 2. RED STRIPE ON BC05L CABLE INDICATES PIN "A" ON THE CONNECTOR.
 3. "DUAL DRIVE FRONT PLATE" (ITEM 10) IS NOT SHOWN ON THIS DRAWING. FOR ASSEMBLY INFORMATION, SEE DEC DRAWING E-UA-RX01-U-O.

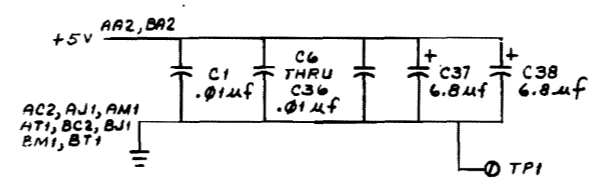
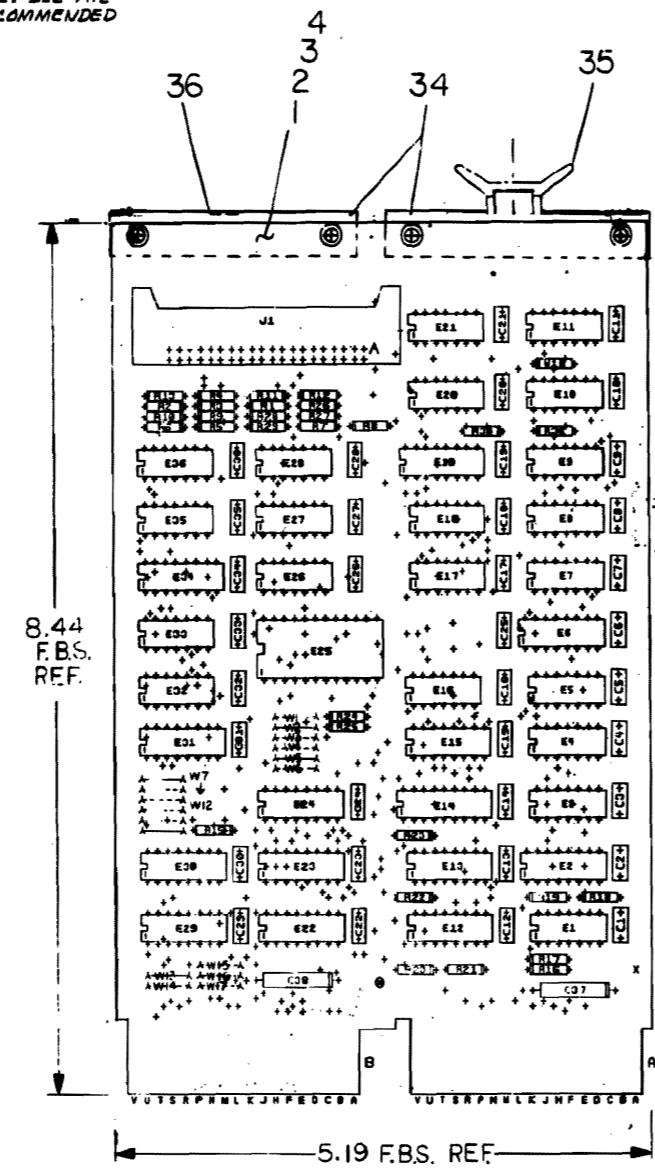
QTY	DESCRIPTION	DWG./PART NO.	ITEM NO.
1	CABLE ASSY W/MOUNTING BRKT	C-4D-7012405-C0	13
4	WASHER, SPRING LOCK #8	9002090-00	12
4	SCR, PHL PAN HD, #8-32 X .50	9002039-01	11
1	PLATE, FRONT, DUAL DRIVE	D-1A-7412853-00	10
1	RX01 FLOPPY DISC DRIVE	E-UA-RX01-DD-0	9
1	RX01 FLOPPY DISC DRIVE	E-UA-RX01-DA-0	8
	CUST. PACKAGING INST.	A-PE-3700193-0-0	REF
	IN-PLANT PACKAGING INST.	A-PE-3700 35 1-0	REF
	RX01-BD FLOPPY DISK DRIVE	E-UA-RX01-BD-0	7
	RX01-BC FLOPPY DISK DRIVE	E-UA-RX01-BC-0	6
	RX01-BA FLOPPY DISK DRIVE	E-UA-RX01-BA-0	5
	RX01-AD FLOPPY DISK DRIVE	E-UA-RX01-AD-0	4
	RX01-AC FLOPPY DISK DRIVE	E-UA-RX01-AC-0	3
	RX01-AA FLOPPY DISK DRIVE	E-UA-RX01-AA-0	2
1	RXVII LSI-11 BUS INTERFACE	D-5-11-746-0-1	1

DESIGNER	REV.
CHKD	DATE
BY	BY
DATE	DATE
DATE	DATE
DATE	DATE
DATE	DATE
DATE	DATE
DATE	DATE
DATE	DATE

UNLESS OTHERWISE SPECIFIED DIMENSIONS ARE IN INCHES	
ANGLES NOT 90°	CLAS. OF ACCURACY
SURFACE QUALITY IN MICROINCHES	NOMINAL DIMENSION RANGE INCHES
QUANTITY & VARIATION	
THIRD ANGLE PROJECTION	FIRST USED ON LSI-11
REMOVE BURRS AND BREAK SHARP CORNERS	TITLE
DO NOT SCALE DWG	RXVII FLOPPY DISK SYSTEM
MATERIAL	SIZE CODE
FINISH	SCALE NONE
	SHEET 1 OF 1

ALL DRAWING AND SPECIFICATION SYMBOLS ARE THE PROPERTY OF DIGITAL EQUIPMENT CORPORATION AND SHALL NOT BE REPRODUCED OR COPIED IN WHOLE OR IN PART AS THE BASIS FOR THE CONSTRUCTION OR SALE OF ITEMS WITHOUT WRITTEN PERMISSION.
 COPYRIGHT © 1975 DIGITAL EQUIPMENT CORPORATION

NOTES:
 1) JUMPER REMOVED EQUALS ASSERTION.
 2) REFERENCE DESIGNATIONS C2-C5 AND E2-E5 ARE NOT USED.
 3) JUMPERS ARE TO BE IMPLEMENTED USING 30 AWG WIRE-WRAP WIRE. SEE THE LOGIC HANDBOOK FOR RECOMMENDED TOOLS.



ALTERNATE PARTS LIST

QTY	REF. DESIGNATION	DESCRIPTION	PART NO.	ITEM NO.
32	C1, C6 THRU C36	CAP .01 uf	1001610-01	5A

REF	DESCRIPTION	PART NO.	ITEM NO.	
	X-Y COORDINATE HOLE LOCATION	K-CO-M7946-B-4	1	
	ASST/DRILLING HOLE LAYOUT	D-AM-M7946-B-5	2	
	MODULE ECO HISTORY	B-MM-M7946-B-6	3	
1	ETCHED CIRCUIT BOARD	5011791	4	
32	C1, C6 THRU C36	CAPACITOR, .01, 100V, 20%	1001610	5
2	C37, C38	CAPACITOR, 0.2, 35V, 10%	1005306	6
1	J1	CONNECTOR, BERG, 48 PIN	1209941-02	7
2	R10, R18	RESISTOR, 330 OHM, 1/4W, 5%	1300295	8
9	R2, R4, R6, R8, R10, R12, R27, R28, R31	RESISTOR, 390 OHM, 1/4W, 5%	1300309	9
9	R1, R3, R5, R7, R9, R11, R29, R30	RESISTOR, 100 OHM, 1/4W, 5%	1301322	10
2	R17, R19	RESISTOR, 680 OHM, 1/4W, 5%	1301424	11
7	R15, R20, R21, R22, R23, R24, R26	RESISTOR, 1K OHM, 1/4W, 5%	1300565	12
1	E31	RESISTOR, DPR	1311003-02	13
1	R13	RESISTOR, 120 OHM, 1/4W, 5%	1300247	14
1	E9	I.C. DEC 7474	1905547	15
2	E10, E11	I.C. DEC 7400	1905975	16
2	E8, E20	I.C. DEC 7402	1909004	17
1	E21	I.C. DEC 74H11	1909267	18
1	E35	I.C. DEC 8201	1909490	19
2	E17, E20	I.C. DEC 7404	1909808	20
2	E10, E20	I.C. DEC 7450	1905580	21
1	E27	I.C. DEC 8001	1909705	22
3	E7, E10, E33	I.C. DEC 7408	1910155	23
1	E19	I.C. DEC 74H10	1910408	24
1	E8	I.C. DEC 74175	1910051	25
3	E12, E15, E24	I.C. DEC 74157	1910055	26
1	E25	I.C. DEC 74199	1910042	27
3	E1, E32, E30	I.C. DEC 8040	1911489	28
4	E13, E22, E23, E34	I.C. DEC 8041	1911579	29
2	E20, E30	I.C. DEC 8130	1912395	30
1	E14	I.C. DEC DCN03	1912730	31
1	TP1	SPLIT LUG	9006735	32
1	W18	JUMPERS	9009185	33
4		EYELETS	9006732	34
1		HANDLE, FLIP-CHIP MAGENTA	9008337-6	35
1		SPACER MAGENTA	9009781	36
34		PINS, STAKING	90-09149	37
A/R	W2, W5, W7, W12, W13	WIRE-WRAP WIRE	91-05740-55	38

IC TYPE	QTY	REV.
I.C. DEC DC003	9	18
I.C. DEC 74133	12	24
I.C. DEC 74H106	13	5
I.C. DEC 74175	9	16
I.C. DEC 74157	5	16
I.C. DEC 8040	1	8
I.C. DEC 8041	8	16
IC TYPE	QTY	REV.
GND AND 5V ARE USUALLY PIN 7 AND 14 RESPECTIVELY EXCEPT WHERE STATED ABOVE		
IC PIN LOCATIONS		

SEMICONDUCTOR CONVERSION CHART

DEC NO.	EIA NO.	DEC NO.	EIA NO.

PARTS LIST

ETCH BOARD REV.	C

digital

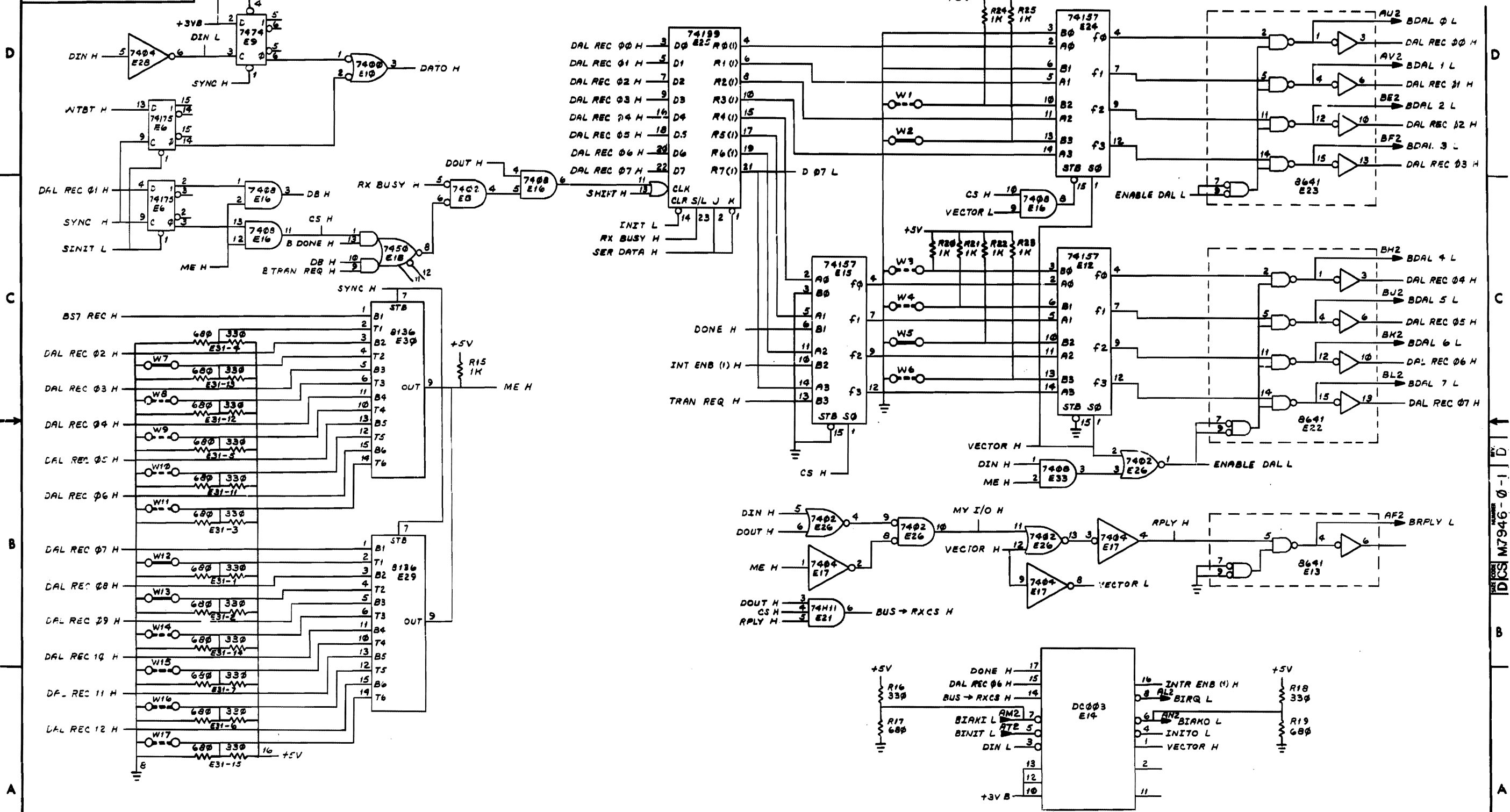
TITLE: **RXV11 LSI 11 INTERFACE**

SIZE CODE: **D** NUMBER: **CS M7946-0-1** REV: **D**

SHEET: **1** OF **3**

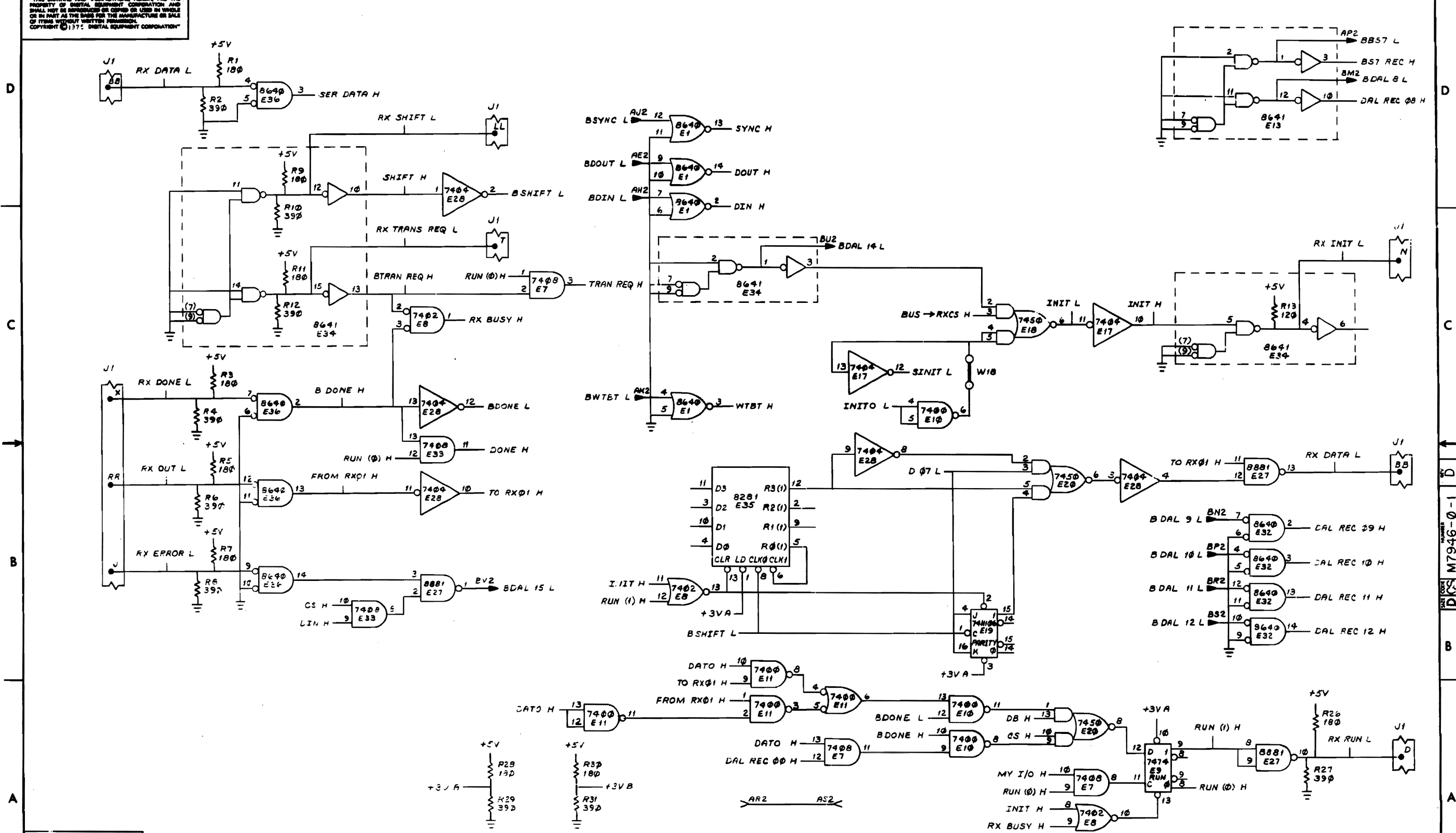
D CS M7946-0-1 D

THIS DRAWING AND SPECIFICATIONS HEREIN ARE THE PROPERTY OF DIGITAL EQUIPMENT CORPORATION AND SHALL NOT BE REPRODUCED OR COPIED OR USED IN WHOLE OR IN PART AS THE BASIS FOR THE MANUFACTURE OR SALE OF ITEMS WITHOUT WRITTEN PERMISSION OF DIGITAL EQUIPMENT CORPORATION.



REVISIONS		
CHK	CHANGE NO.	REV.

"THIS DRAWING AND SPECIFICATIONS HEREIN ARE THE PROPERTY OF DIGITAL EQUIPMENT CORPORATION AND SHALL NOT BE REPRODUCED OR COPIED OR USED IN WHOLE OR IN PART AS THE BASIS FOR THE MANUFACTURE OR SALE OF ITEMS WITHOUT WRITTEN PERMISSION. COPYRIGHT © 1977, DIGITAL EQUIPMENT CORPORATION"



REVISIONS		
CHK	CHANGE NO.	REV.