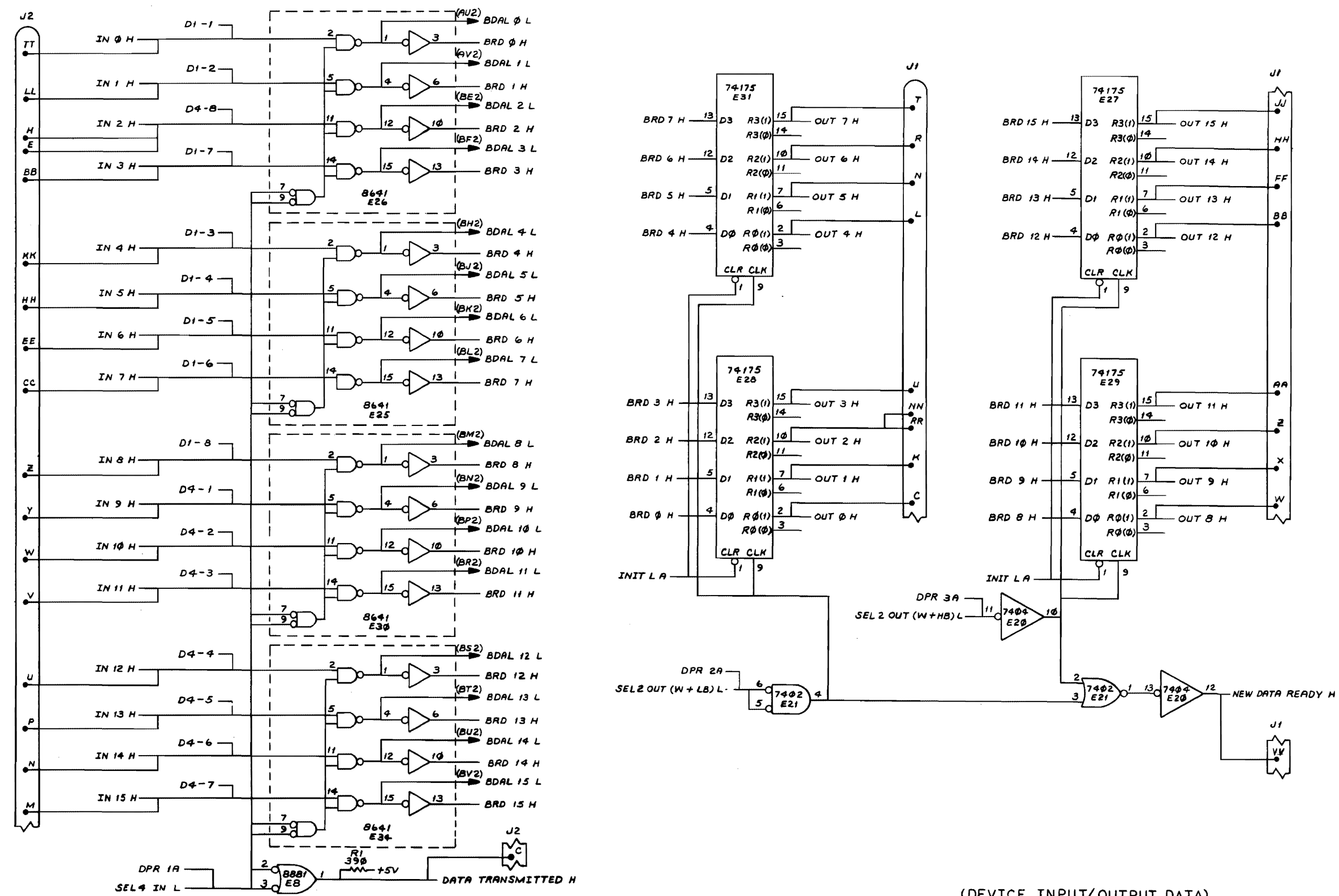








"THIS DRAWING AND SPECIFICATIONS HEREIN ARE THE PROPERTY OF DIGITAL EQUIPMENT CORPORATION AND SHALL NOT BE REPRODUCED OR COPIED OR USED IN WHOLE OR IN PART AS THE BASIS FOR THE MANUFACTURE OR SALE OF ITEMS WITHOUT WRITTEN PERMISSION. COPYRIGHT © 1975 DIGITAL EQUIPMENT CORPORATION"



(DEVICE INPUT/OUTPUT DATA)

REVISIONS		
CHK	CHANGE NO.	REV.

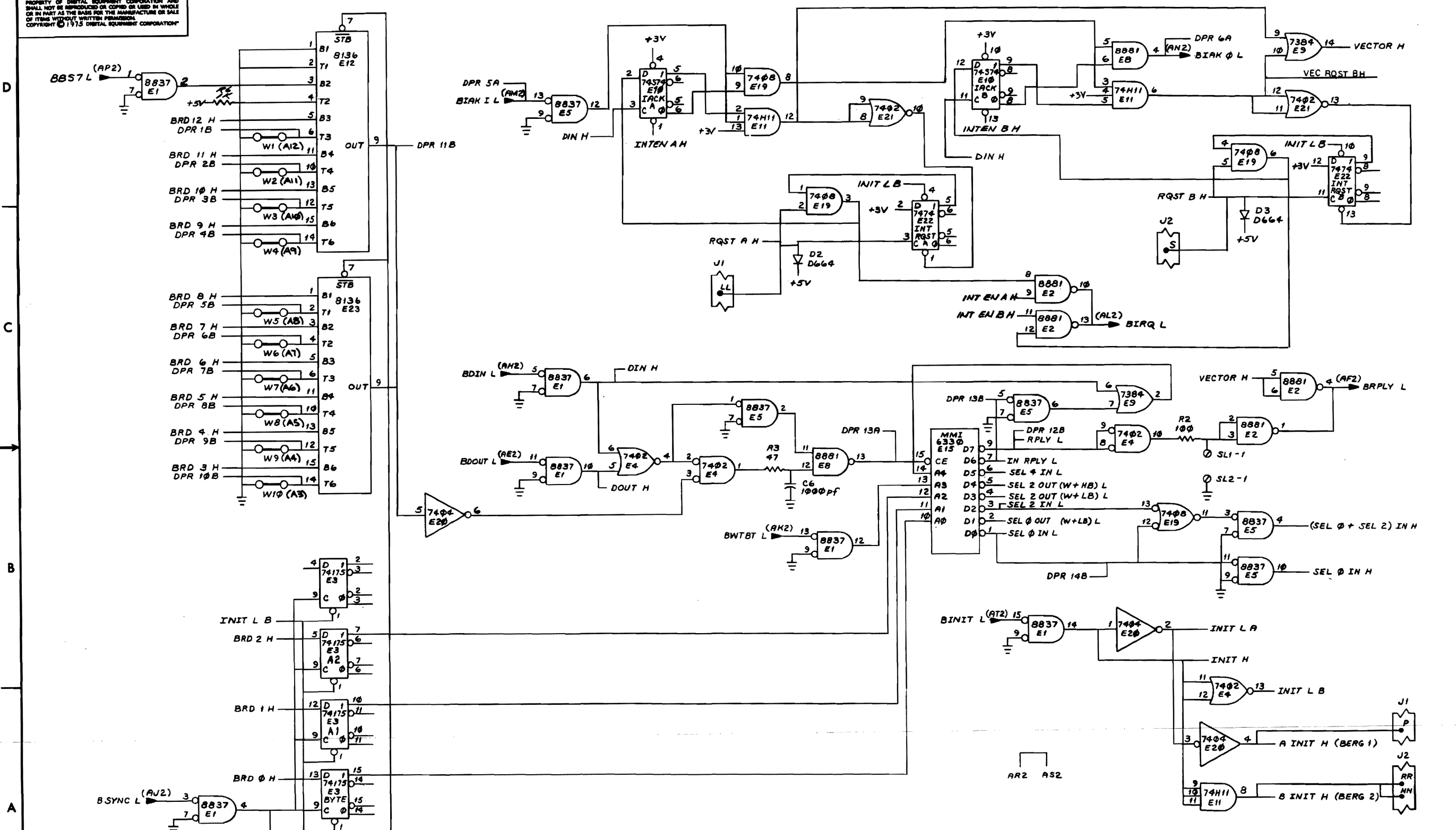
DEC FORM NO. 100 128

TITLE	PARALLEL LINE UNIT	SIZE CODE	DCS	NUMBER	M7941-0-1	REV.	E
SCALE	1/1	SHEET	2	OF 4	DIST.		

PN 1

REV. E  
NUMBER DCS M7941-0-1  
SIZE CODE

"THE DRAWING AND SPECIFICATIONS HEREIN ARE THE PROPERTY OF DIGITAL EQUIPMENT CORPORATION AND SHALL NOT BE REPRODUCED OR COPIED OR USED IN WHOLE OR IN PART AS THE BASIS FOR THE MANUFACTURE OR SALE OF ITEMS WITHOUT WRITTEN PERMISSION. COPYRIGHT © 1975 DIGITAL EQUIPMENT CORPORATION"

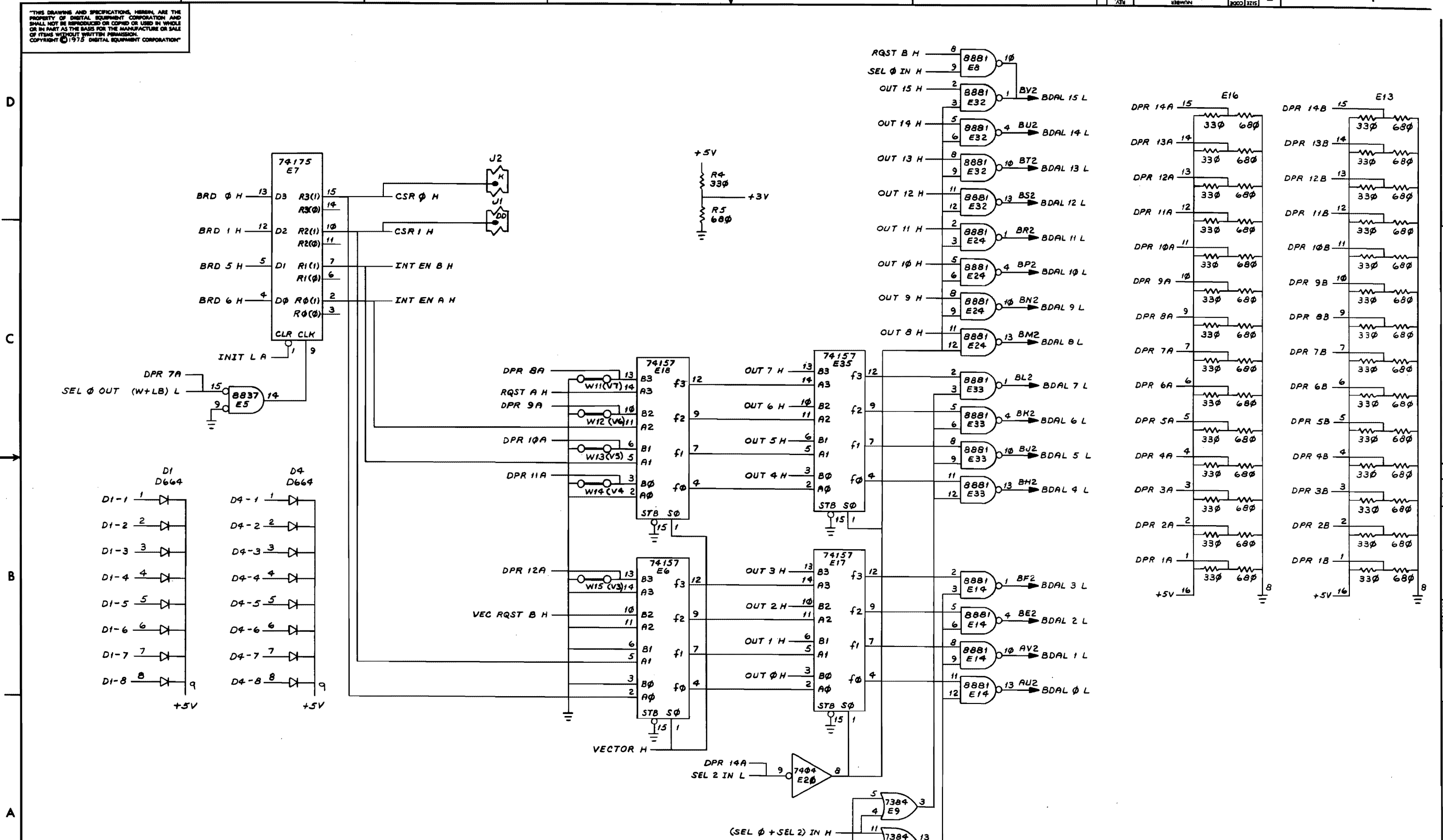


REVISIONS		
CHK	CHANGE NO.	REV.

TITLE	PARALLEL LINE UNIT	SIZE/SCALE	DCS M7941-0-1	NUMBER	3 OF 4	REV.	F
SCALE		SHEET		DIST.			

THIS DRAWING AND SPECIFICATIONS, HEREIN, ARE THE PROPERTY OF DIGITAL EQUIPMENT CORPORATION AND SHALL NOT BE REPRODUCED OR COPIED OR USED IN WHOLE OR IN PART AS THE BASIS FOR THE MANUFACTURE OR SALE OF ITEMS WITHOUT WRITTEN PERMISSION. COPYRIGHT © 1973 DIGITAL EQUIPMENT CORPORATION

DCS M7941-0-1



(BUS DATA IN LOGIC)

REVISIONS		
CHK	CHANGE NO.	REV.

TITLE	SIZE CODE	NUMBER	REV.
PARALLEL LINE UNIT	DCS	M7941-0-1	E
SCALE	SHEET	DIST.	
	4 OF 4		

