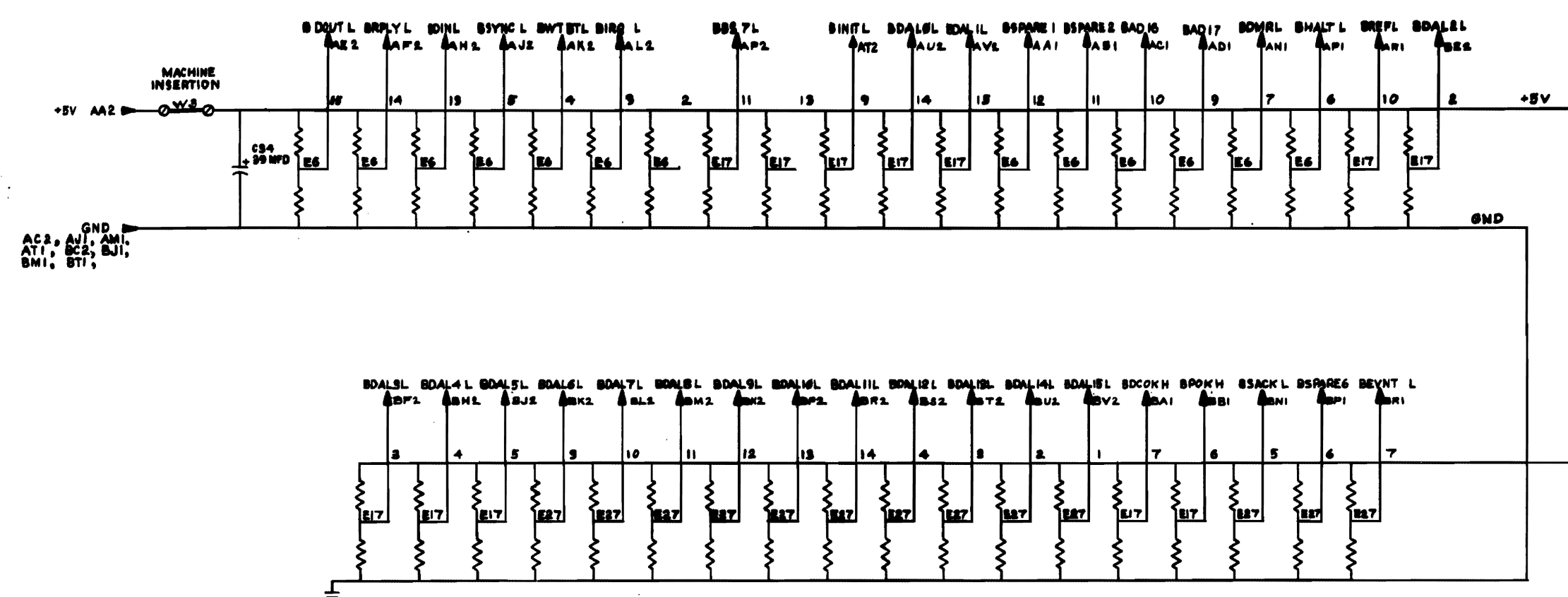


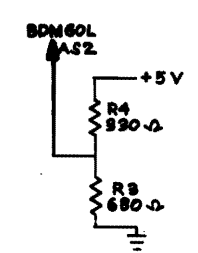
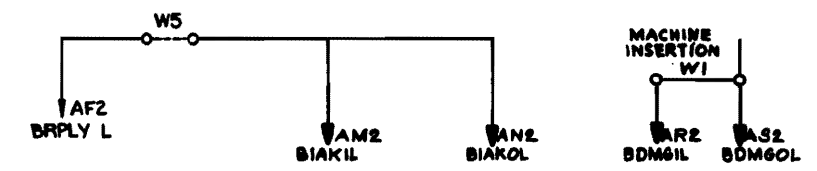
THIS DRAWING IS THE PROPERTY OF THE
 COMPANY AND IS NOT TO BE REPRODUCED
 OR TRANSMITTED IN ANY FORM OR BY
 ANY MEANS, ELECTRONIC OR MECHANICAL,
 INCLUDING PHOTOCOPYING, RECORDING,
 OR BY ANY INFORMATION STORAGE AND
 RETRIEVAL SYSTEM, WITHOUT THE WRITTEN
 PERMISSION OF THE COMPANY.

REVISED 2



MACHINE INSERTION
 +5V AA2

GND
 AC2, AN1, AM1,
 AT1, BC2, BJ1,
 BM1, BT1,



NOTE:
 GROUND IS ON PIN 8
 +5V IS ON PIN 16 OF EACH
 RESISTOR PACK.

REVISIONS		
CHK	CHANGE NO.	REV.

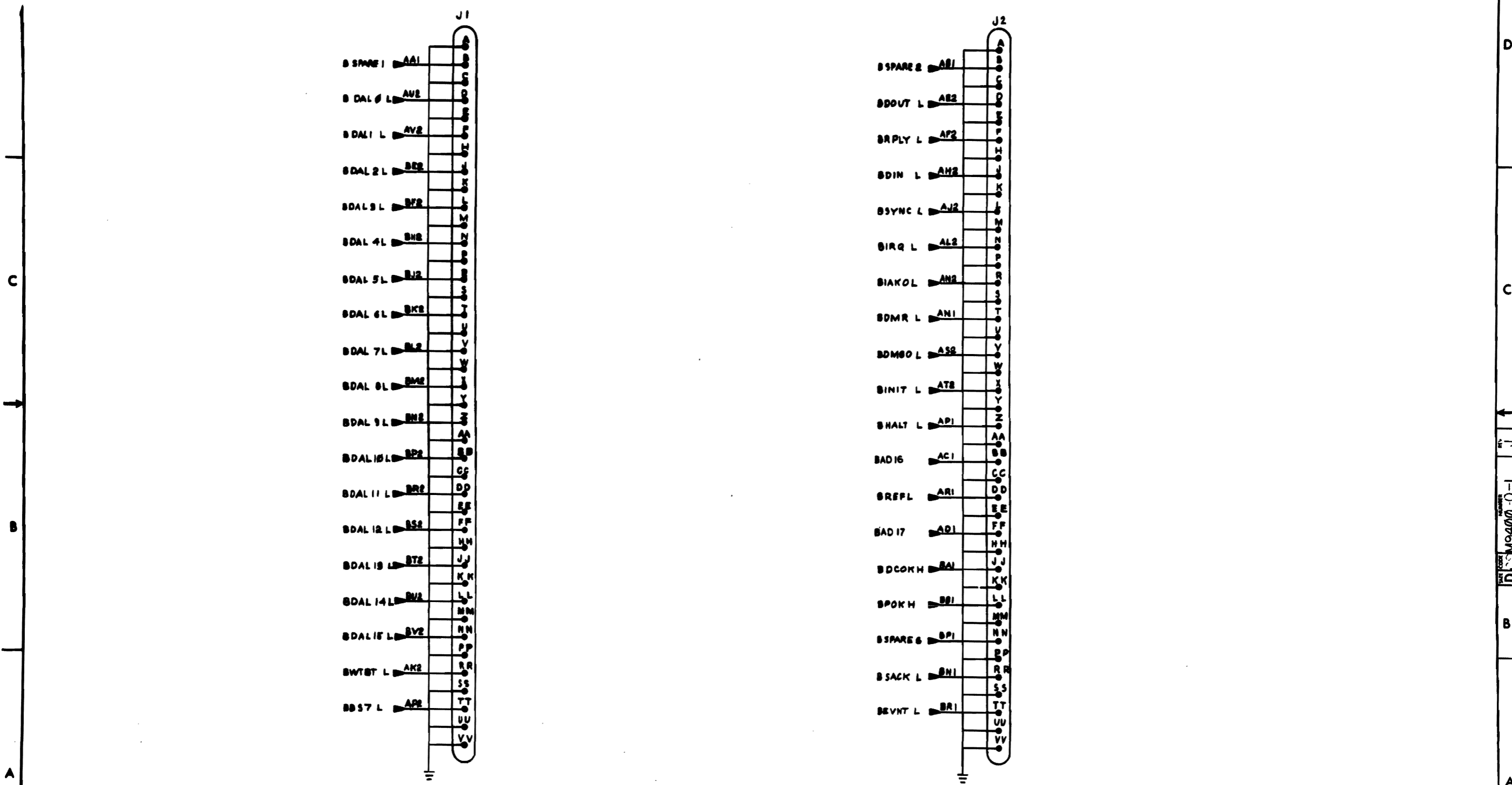
DEC FORM NO. DWD 138

TITLE	LSI REF BOOT CABLE CONN	SIZE CODE	D CS	NUMBER	M9400-0-1	REV.	J
SCALE	1:1	SHEET	3 OF 6	DIST.			

DICS M9400-0-1

THE DRAWING AND SPECIFICATIONS HEREBY ARE THE PROPERTY OF THE UNITED STATES GOVERNMENT AND SHALL NOT BE REPRODUCED OR TRANSMITTED IN ANY FORM OR BY ANY MEANS, ELECTRONIC OR MECHANICAL, INCLUDING PHOTOCOPYING, RECORDING, OR BY ANY INFORMATION STORAGE AND RETRIEVAL SYSTEM, WITHOUT PERMISSION IN WRITING FROM THE DIRECTOR, ARPA, WASH. DC 20301.

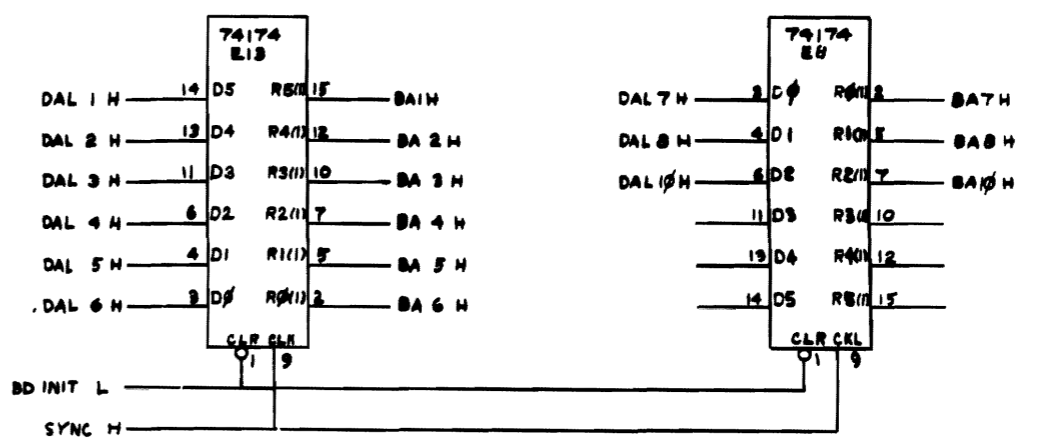
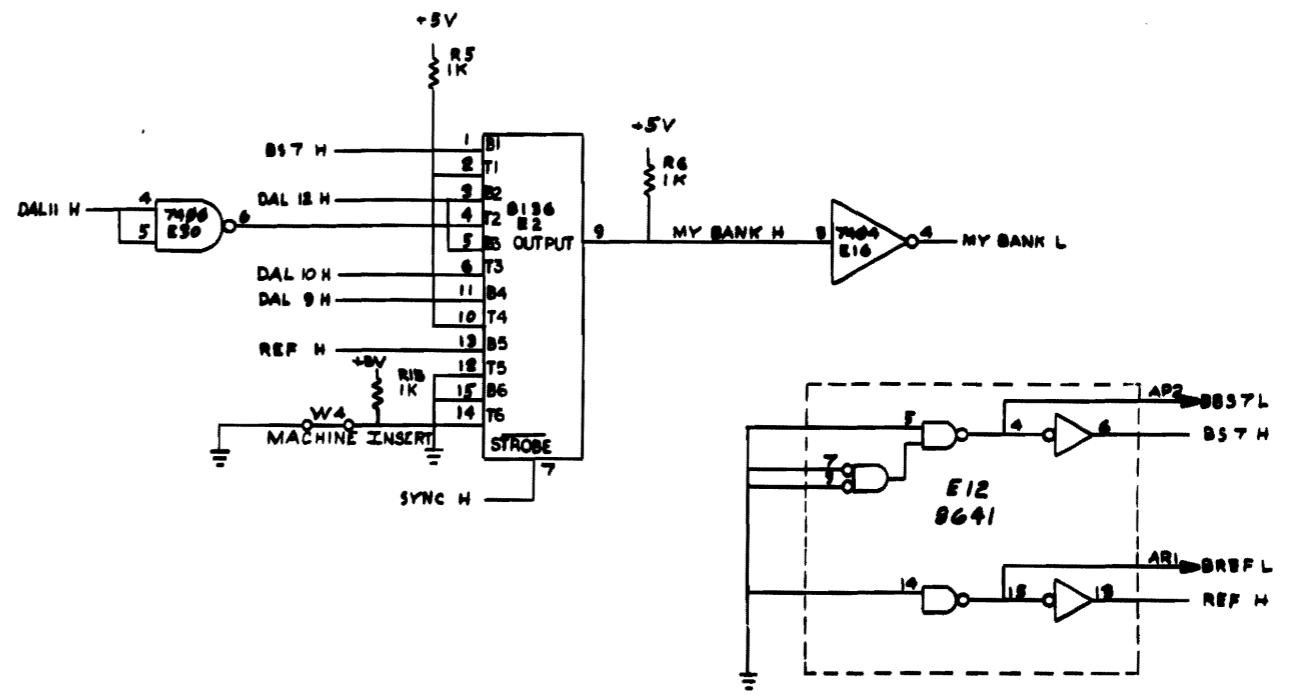
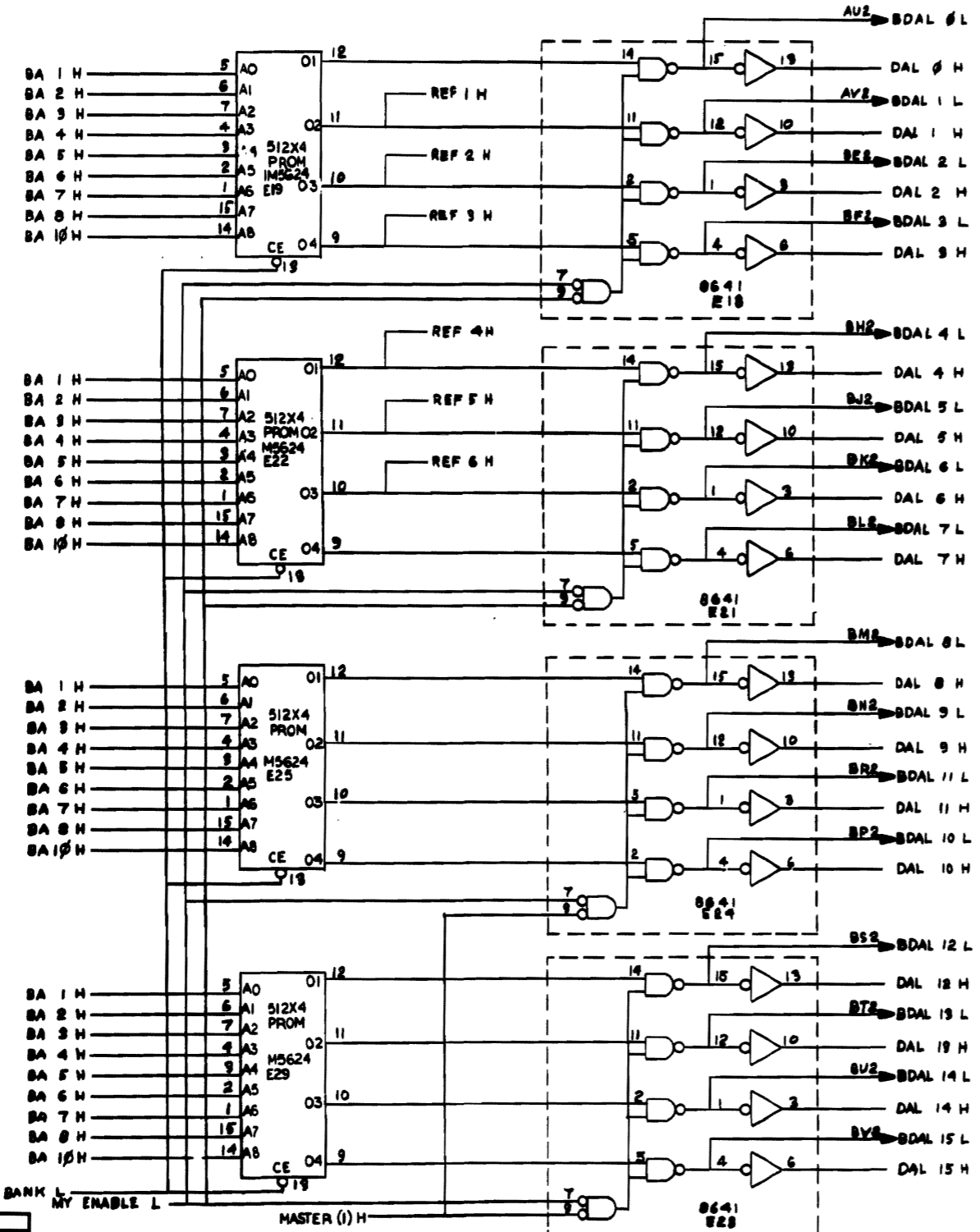
1-0-007675-2



REVISIONS		
CHK	CHANGE NO.	REV.

DEC FORM NO. 138

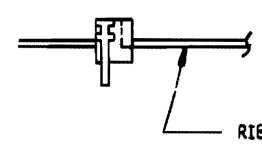
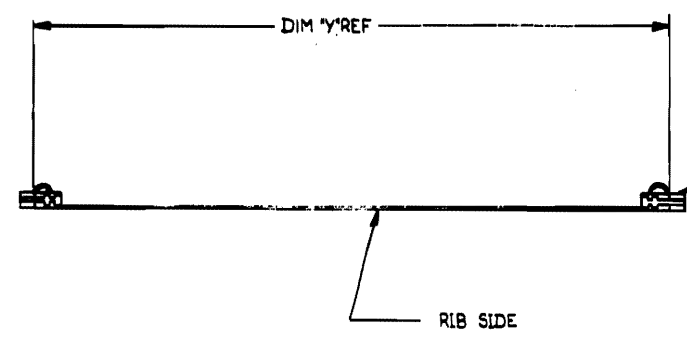
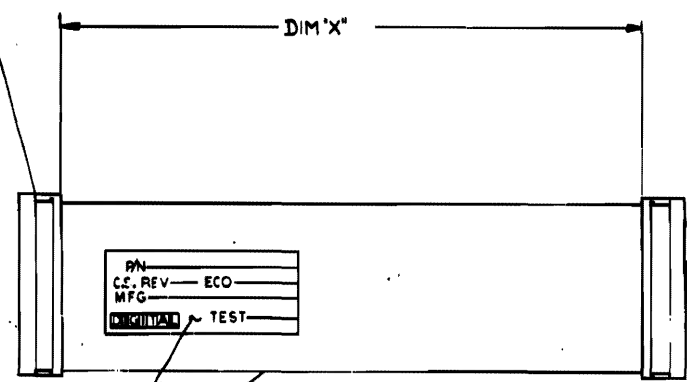
THIS DRAWING AND SPECIFICATIONS HEREBY ARE THE PROPERTY OF WESTINGHOUSE CORPORATION AND SHALL NOT BE REPRODUCED OR COPIED IN WHOLE OR IN PART AS THEY ARE THE PROPERTY OR SALE OF THIS COMPANY WITHOUT THE WRITTEN PERMISSION OF WESTINGHOUSE CORPORATION
COPYRIGHT © 1977 WESTINGHOUSE CORPORATION



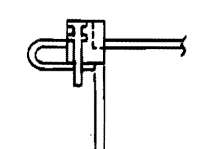
REV.	CHANGE NO.	REV.

This drawing and specifications, herein, are the property of Digital Equipment Corporation and shall not be reproduced or copied in whole or in part in any form for the manufacture or sale of items without written permission.

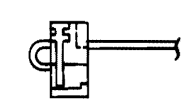
FROM	TO
P1-A	P2-VV
P1-B	P2-UU
P1-C	P2-TT
P1-D	P2-SS
P1-E	P2-RR
P1-F	P2-PP
P1-H	P2-NN
P1-J	P2-MM
P1-K	P2-LL
P1-L	P2-KK
P1-M	P2-JJ
P1-N	P2-HH
P1-P	P2-FF
P1-R	P2-EE
P1-S	P2-DD
P1-T	P2-CC
P1-U	P2-BB
P1-V	P2-AA
P1-W	P2-ZZ
P1-X	P2-YY
P1-Y	P2-XX
P1-Z	P2-WW
P1-AA	P2-VV
P1-BB	P2-UU
P1-CC	P2-TT
P1-DD	P2-SS
P1-EE	P2-RR
P1-FF	P2-PP
P1-HH	P2-NN
P1-JJ	P2-MM
P1-KK	P2-LL
P1-LL	P2-KK
P1-MM	P2-JJ
P1-NN	P2-HH
P1-PP	P2-FF
P1-RR	P2-EE
P1-SS	P2-DD
P1-TT	P2-CC
P1-UU	P2-BB
P1-VV	P2-AA



STEP #1



STEP #2



STEP #3

NUMBER	DIM X VARIATION	DIM Y (PRECUT) W/
BC05L-0C	3IN ± 0.5IN.	4.2 IN.
BC05L-1C	15 IN ± 0.5 IN.	16.2 IN.
BC05L-1S	20 IN ± 1.0 IN.	21.3 IN.
BC05L-2	2 FT ± 0.5 IN.	2.4 FT.
BC05L-3	3 FT ± 0.5 IN.	3 FT, 1.2 IN.
BC05L-4	4 FT ± 0.5 IN.	4 FT, 1.2 IN.
BC05L-5	5 FT ± 0.5 IN.	5 FT, 1.2 IN.
BC05L-6	6 FT ± 0.5 IN.	6 FT, 1.2 IN.
BC05L-7	7 FT ± 1.0 IN.	7 FT, 1.2 IN.
BC05L-8	8 FT ± 1.0 IN.	8 FT, 1.2 IN.
BC05L-9	9 FT ± 1.0 IN.	9 FT, 1.2 IN.
BC05L-10	10 FT ± 2.0 IN.	10.5 FT.
BC05L-11	11 FT ± 2.0 IN.	11 FT, 1.2 IN.
BC05L-12	12 FT ± 2.0 IN.	12 FT, 1.2 IN.
BC05L-13	13 FT ± 2.0 IN.	13 FT, 1.2 IN.
BC05L-14	14 FT ± 2.0 IN.	14 FT, 1.2 IN.
BC05L-15	15 FT ± 0.5 IN.	15 FT, 1.2 IN.
BC05L-16	16 FT ± 1.0 IN.	16 FT, 1.2 IN.
BC05L-0E	5 IN ± 0.5 IN.	6.2 IN.

NOTES

1 ASSY OF ITEM #1 (CONNECTOR) TO ITEM #2 (CABLE) IS AS FOLLOWS:

A. CABLE TO BE CUT SQUARE AT BOTH ENDS.

STEP 1: INSERT CABLE THRU SLOT IN TOP HALF OF CONNECTOR. NOTE POSITION OF CABLE RELIEF SHOW AS DOTTED LINE. RIBS ON CABLE MUST BE LOCATED DOWN.

STEP 2: BEND CABLE DOWN AND UNDER AND SECURE AGAINST ADHESIVE. NOTE DIMENSION SHOWN.

STEP 3: POSITION LOWER HALF OF CONNECTOR ON LOCKING PIN AND PRESS TWO HALVES TOGETHER. PULL CABLE THRU SLOT, THEN BEND CABLE TO POSITION CONNECTOR AS SHOWN IN FINAL ASSY.

2 PHYSICAL APPEARANCE OF CONNECTOR MAY BE DIFFERENT, DEPENDING ON VENDOR PART USED FOR DETAILED DESCRIPTION, REFER TO SPEC. *A-PS-1211206-0-0, LATEST REVISION.

REV	DATE	BY	CHKD	DESCRIPTION
1	11-16-72	J. NESS	J. NESS	REVISED E. REDRAWN
2	11-16-72	J. NESS	J. NESS	DWG NO WAS DUA-BC05L-0000
3	11-16-72	J. NESS	J. NESS	REVISED E. REDRAWN
4	11-16-72	J. NESS	J. NESS	REVISED E. REDRAWN
5	11-16-72	J. NESS	J. NESS	REVISED E. REDRAWN
6	11-16-72	J. NESS	J. NESS	REVISED E. REDRAWN
7	11-16-72	J. NESS	J. NESS	REVISED E. REDRAWN
8	11-16-72	J. NESS	J. NESS	REVISED E. REDRAWN
9	11-16-72	J. NESS	J. NESS	REVISED E. REDRAWN
10	11-16-72	J. NESS	J. NESS	REVISED E. REDRAWN
11	11-16-72	J. NESS	J. NESS	REVISED E. REDRAWN
12	11-16-72	J. NESS	J. NESS	REVISED E. REDRAWN
13	11-16-72	J. NESS	J. NESS	REVISED E. REDRAWN
14	11-16-72	J. NESS	J. NESS	REVISED E. REDRAWN
15	11-16-72	J. NESS	J. NESS	REVISED E. REDRAWN
16	11-16-72	J. NESS	J. NESS	REVISED E. REDRAWN
17	11-16-72	J. NESS	J. NESS	REVISED E. REDRAWN
18	11-16-72	J. NESS	J. NESS	REVISED E. REDRAWN
19	11-16-72	J. NESS	J. NESS	REVISED E. REDRAWN
20	11-16-72	J. NESS	J. NESS	REVISED E. REDRAWN
21	11-16-72	J. NESS	J. NESS	REVISED E. REDRAWN
22	11-16-72	J. NESS	J. NESS	REVISED E. REDRAWN
23	11-16-72	J. NESS	J. NESS	REVISED E. REDRAWN
24	11-16-72	J. NESS	J. NESS	REVISED E. REDRAWN
25	11-16-72	J. NESS	J. NESS	REVISED E. REDRAWN
26	11-16-72	J. NESS	J. NESS	REVISED E. REDRAWN
27	11-16-72	J. NESS	J. NESS	REVISED E. REDRAWN
28	11-16-72	J. NESS	J. NESS	REVISED E. REDRAWN
29	11-16-72	J. NESS	J. NESS	REVISED E. REDRAWN
30	11-16-72	J. NESS	J. NESS	REVISED E. REDRAWN
31	11-16-72	J. NESS	J. NESS	REVISED E. REDRAWN
32	11-16-72	J. NESS	J. NESS	REVISED E. REDRAWN
33	11-16-72	J. NESS	J. NESS	REVISED E. REDRAWN
34	11-16-72	J. NESS	J. NESS	REVISED E. REDRAWN
35	11-16-72	J. NESS	J. NESS	REVISED E. REDRAWN
36	11-16-72	J. NESS	J. NESS	REVISED E. REDRAWN
37	11-16-72	J. NESS	J. NESS	REVISED E. REDRAWN
38	11-16-72	J. NESS	J. NESS	REVISED E. REDRAWN
39	11-16-72	J. NESS	J. NESS	REVISED E. REDRAWN
40	11-16-72	J. NESS	J. NESS	REVISED E. REDRAWN
41	11-16-72	J. NESS	J. NESS	REVISED E. REDRAWN
42	11-16-72	J. NESS	J. NESS	REVISED E. REDRAWN
43	11-16-72	J. NESS	J. NESS	REVISED E. REDRAWN
44	11-16-72	J. NESS	J. NESS	REVISED E. REDRAWN
45	11-16-72	J. NESS	J. NESS	REVISED E. REDRAWN
46	11-16-72	J. NESS	J. NESS	REVISED E. REDRAWN
47	11-16-72	J. NESS	J. NESS	REVISED E. REDRAWN
48	11-16-72	J. NESS	J. NESS	REVISED E. REDRAWN
49	11-16-72	J. NESS	J. NESS	REVISED E. REDRAWN
50	11-16-72	J. NESS	J. NESS	REVISED E. REDRAWN

QTY.	DESCRIPTION	PART NO.	ITEM NO.
1	LABEL IDENTIFICATION	355-001	1
1	CABLE	BC05L-0000	2
1	CONNECTOR	BC05L-0000	3
1	LOCKING PIN	BC05L-0000	4

FIRST USED ON OPTION/MODEL		PARTS LIST	
TU60		TU60	
UNLESS OTHERWISE SPECIFIED	DWG. DATE 11-16-72		
DIMENSION IN INCHES	CHKD. DATE 11-16-72		
TOLERANCES	ENG. DATE 11-16-72	CABLE, JUMPER	
DECIMALS	PROJ. ENG. DATE 11-16-72		
ANGLES	PROD. DATE 11-16-72	TITLE: CABLE, JUMPER	
REMOVE BURRS AND BREAK SHARP CORNERS SURFACE QUALITY	NEXT HIGHER ASSY.	DUA-BC05L-0000	
MATERIAL	SCALE 1/1	SHEET 1 OF 1	
FINISH	SHEET	DIST.	

