

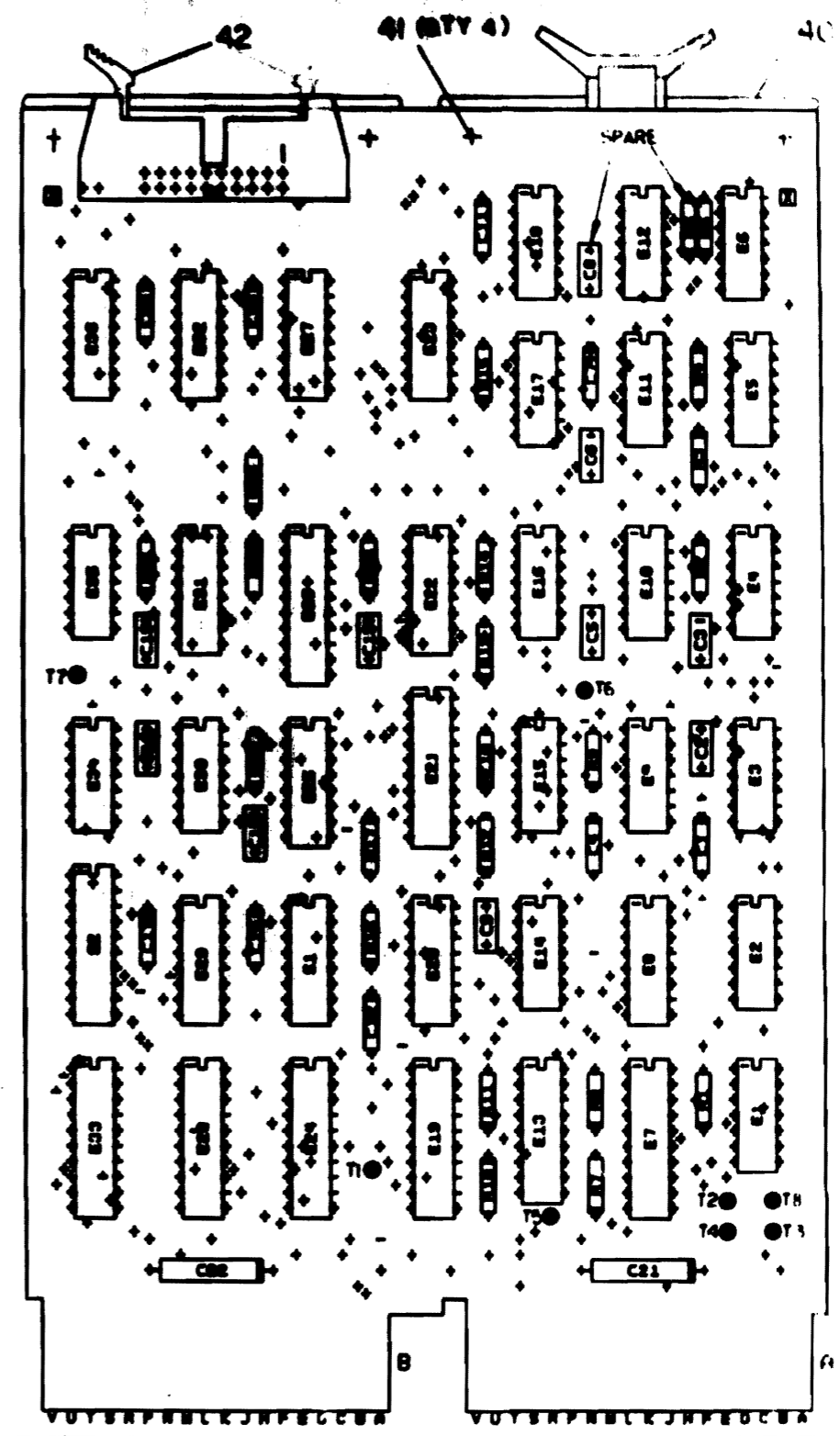








SECRET



NOTES

1.   
 2.   
 3.   
 4.   
 5.   
 6.   
 7.   
 8.   
 9.   
 10.   
 11.   
 12.   
 13.   
 14.   
 15.   
 16.   
 17.   
 18.   
 19.   
 20.   
 21.   
 22.   
 23.   
 24.   
 25.   
 26.   
 27.   
 28.   
 29.   
 30.   
 31.   
 32.   
 33.   
 34.   
 35.   
 36.   
 37.   
 38.   
 39.   
 40.   
 41.   
 42.   
 43.   
 44.   
 45.   
 46.   
 47.   
 48.   
 49.   
 50.   
 51.   
 52.   
 53.   
 54.   
 55.   
 56.   
 57.   
 58.   
 59.   
 60.   
 61.   
 62.   
 63.   
 64.   
 65.   
 66.   
 67.   
 68.   
 69.   
 70.   
 71.   
 72.   
 73.   
 74.   
 75.   
 76.   
 77.   
 78.   
 79.   
 80.   
 81.   
 82.   
 83.   
 84.   
 85.   
 86.   
 87.   
 88.   
 89.   
 90.   
 91.   
 92.   
 93.   
 94.   
 95.   
 96.   
 97.   
 98.   
 99.   
 100.

ETD: REV.   
 P.C. DESIGN DIVISION REV. C

SIGNATURES   
 DATE   
 PROJ. ENG.   
 SCALE 1 OF 2   
 NEXT NUMBER ASSY. B-00-M7954-0

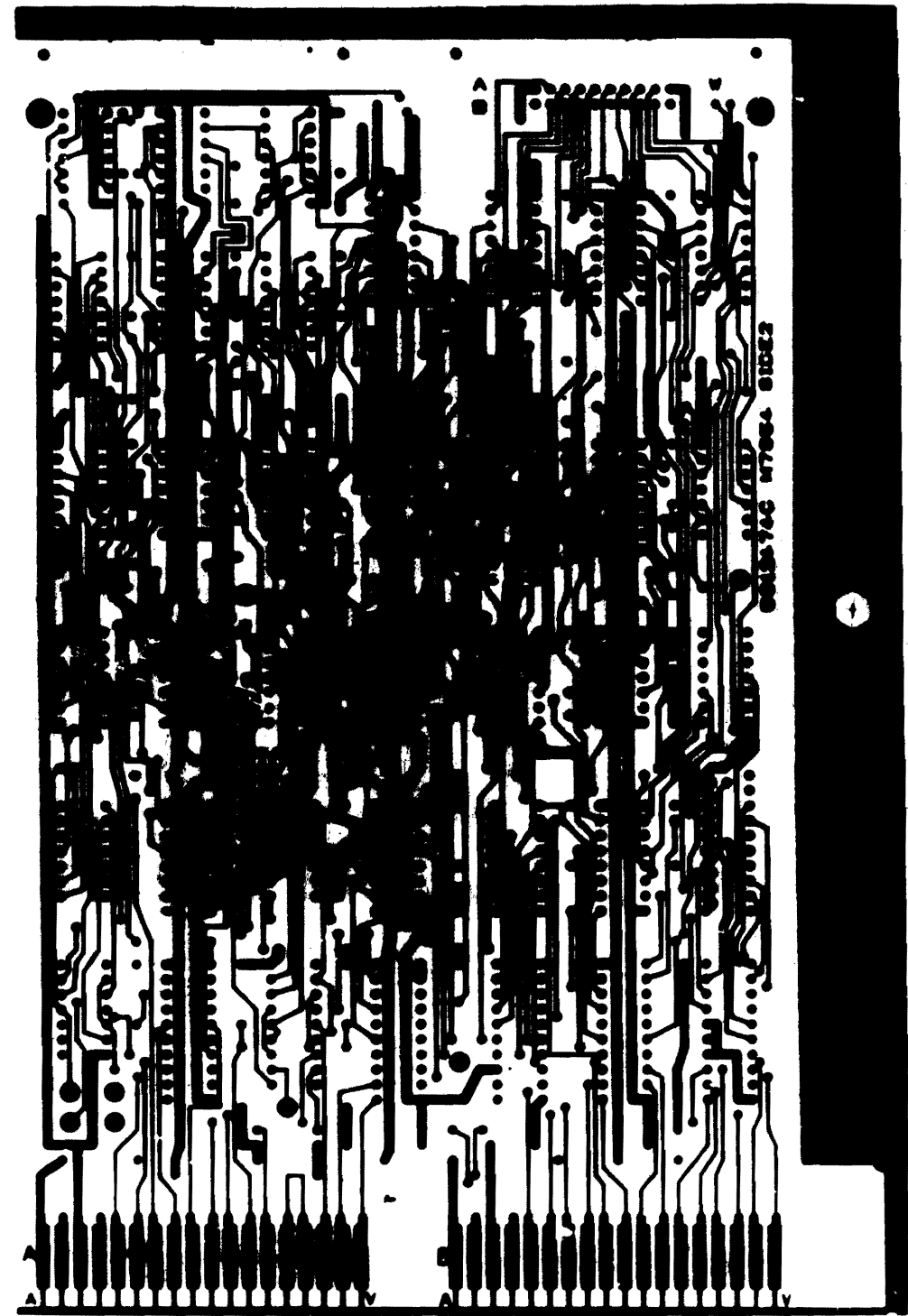
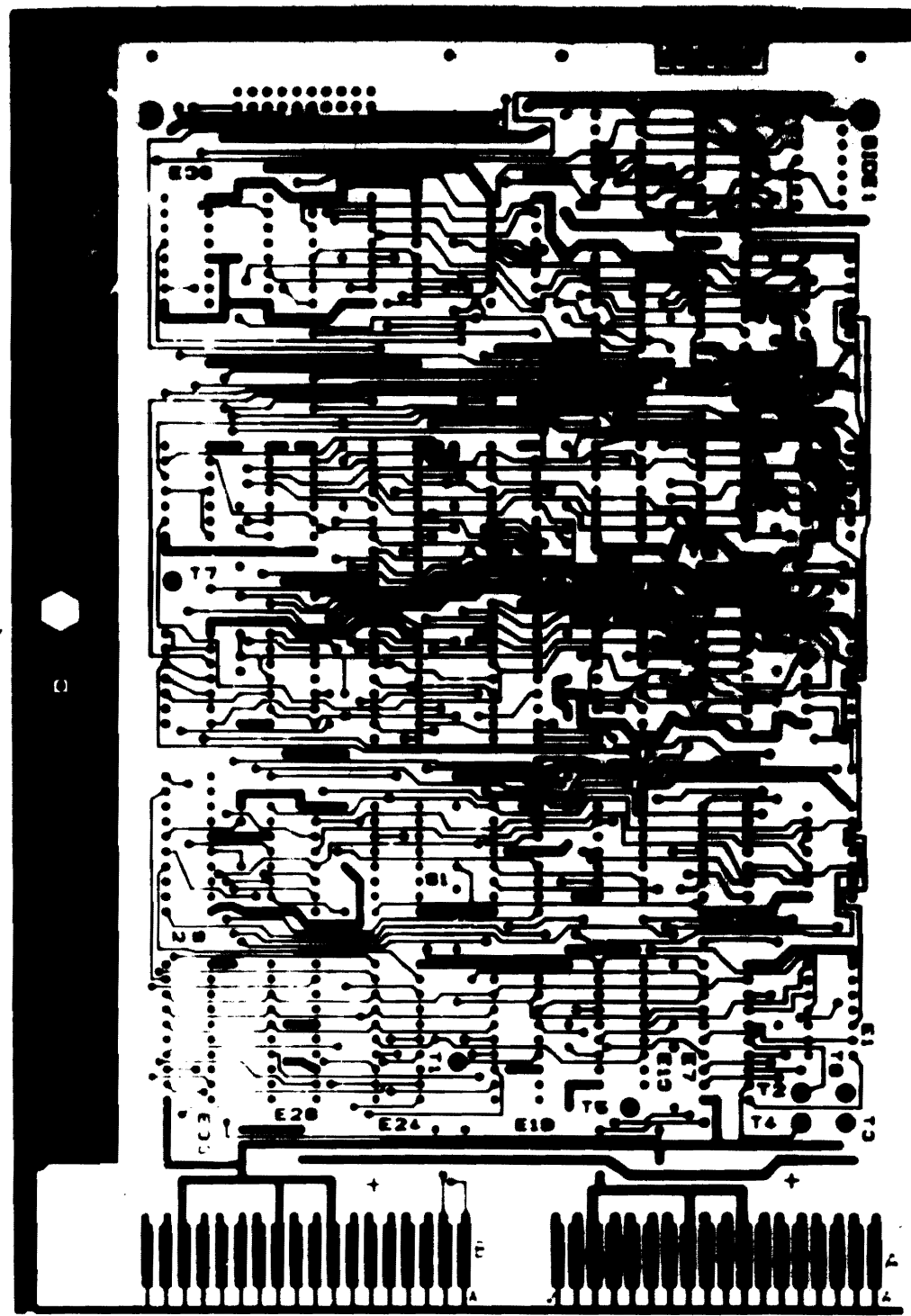
digital   
 TITLE   
 LSI INTERFACE   
 NUMBER   
 M7954-0-0   
 REF. H

M7954-0-0

8  
7  
6  
5  
4  
3  
2  
1

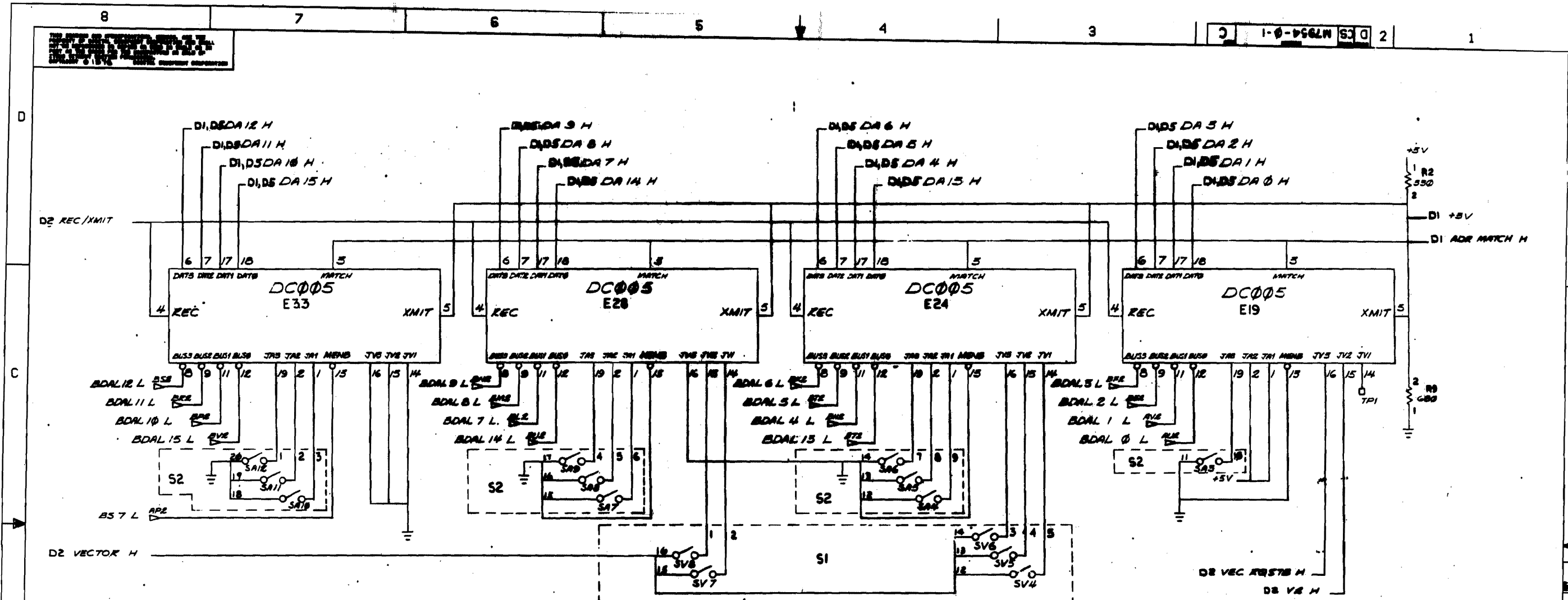
8  
7  
6  
5  
4  
3  
2  
1

2  
1  
0  
9  
8  
7  
6  
5  
4  
3  
2  
1



LSI INTERFACE  
2 OF 2  
DUA M7954-0-0 B

8  
7  
6  
5  
4  
3  
2  
1



- NOTES:
- ▷ IS MODULE FINGER PIN.
  - ON THIS AND THE FOLLOWING PAGES, ALL RESISTORS ARE 1/4 W, 5% UNLESS INDICATED OTHERWISE.
  - SELECTABLE REGISTER ADDRESS RANGE: 16000-177770. SET AT 160150 FOR PRODUCTION TESTING AND SHIPPING.
  - SELECTABLE VECTOR ADDRESS RANGE: 000-768
  - SV SWITCHES  
SV<sub>i</sub> DRIVES BDAL<sub>i</sub>. BDAL<sub>i</sub> IS LOW WHEN SV<sub>i</sub> IS HIGH  
i=4,5,...,8
  - SA SWITCHES. i=3,4,...,11,16.  
a) SA<sub>i</sub> IS COMPARED WITH BDAL<sub>i</sub>. CLOSING SWITCH IS EQUAL TO "LOW" ON THE BUS.  
b) ADDR MATCH IS HIGH WHEN ALL SA<sub>i</sub>'S ARE EQUAL TO ALL BDAL<sub>i</sub>'S.
  - DATA MODES:  
REC XMIT MODES  
L L DISABLE: BUS, DAT ARE OPEN.  
L H DAT → BUS  
H L BUS → DAT  
H H BUS → DAT. VECTOR ADDRESS TRANSMITTED WHEN REQUIRED.

ADDRESS SWITCH ( S2 ) SETTING FOR TESTING: 160150

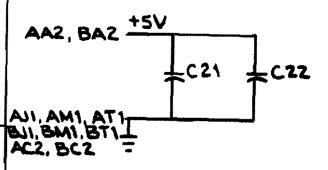
1	2	3	4	5	6	7	8	9	10
OFF	OFF	OFF	OFF	OFF	OFF	ON	ON	ON	ON
SAE	SAI	SAB	SAC	SAD	SAE	SAG	SAS	SAT	SAB

VECTOR SWITCH ( S1 ) SETTING FOR TESTING: 64X

1	2	3	4	5	6	7	8
ON	ON	ON	ON	ON	ON	ON	ON
SV8	SV7	SV6	SV5	SV4	SV3	SV2	SV1

SEE E21 INH SWITCH ON SHEET 5.

LS111 BUS INTERFACE

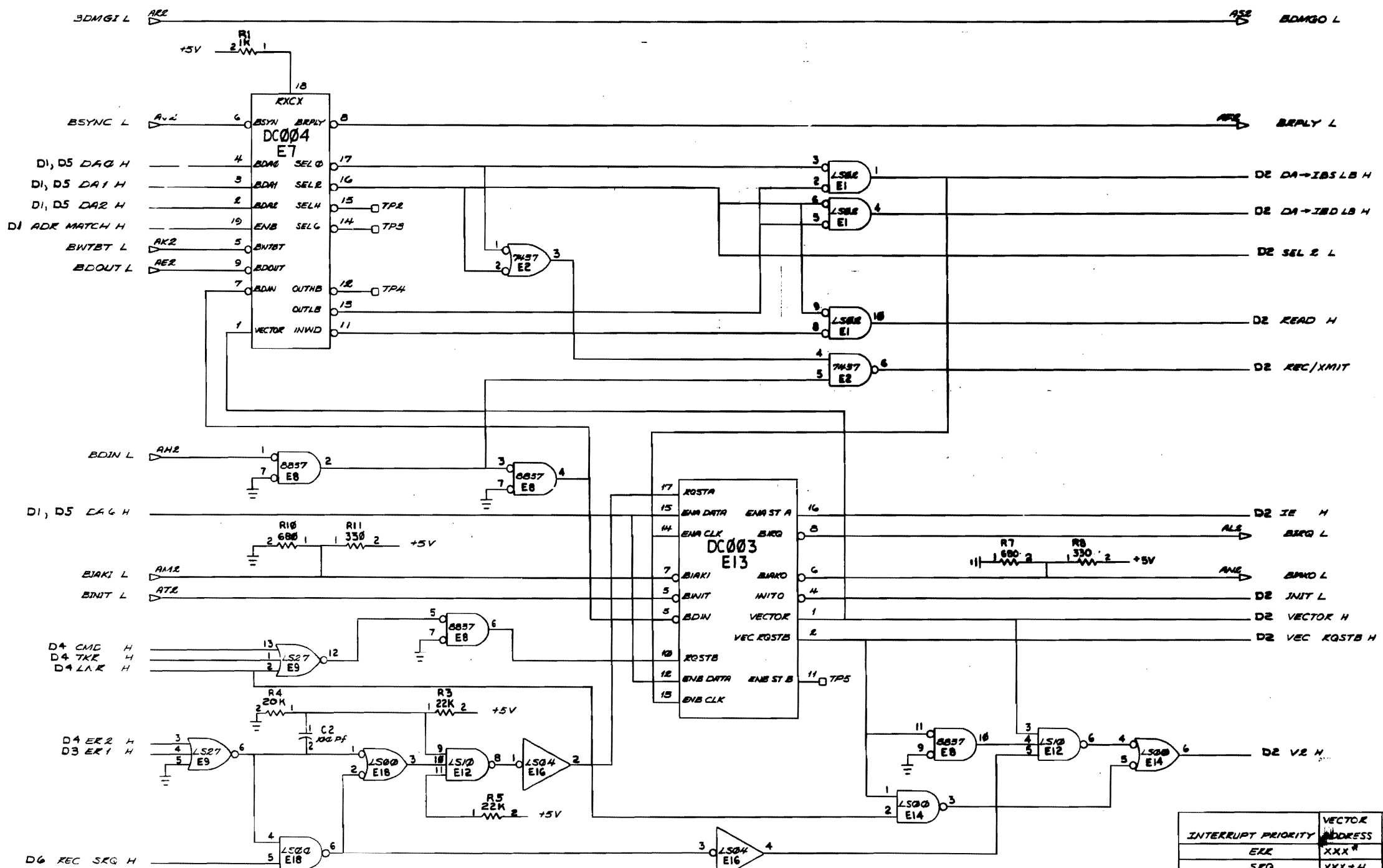


NOTES:

CHANGE NO	REV
622	C
622	C
622	C
622	C
622	C
622	C
622	C
622	C
622	C

SIGNATURES	DATE	digital
DAN M. ...	21 SEP 70	
CHK'D BY ...	21 SEP 70	TITLE LS111/IB INTERFACE
ENG. ...	21 SEP 70	REV C
PROJ. ENG. ...	21 SEP 70	SIZE CODE NUMBER
PROD. ...	21 SEP 70	D CS M7954-0-1
SCALE	1 OF 7	ETCH REV
FIRST USED ON IBVII-A		1 MS#

THIS DRAWING AND SPECIFICATIONS HEREIN ARE THE PROPERTY OF DIGITAL EQUIPMENT CORPORATION AND SHALL NOT BE REPRODUCED OR COPIED OR USED IN WHOLE OR IN PART AS THE BASIS FOR THE MANUFACTURE OR SALE OF ITEMS WITHOUT WRITTEN PERMISSION. COPYRIGHT © 1976 DIGITAL EQUIPMENT CORPORATION



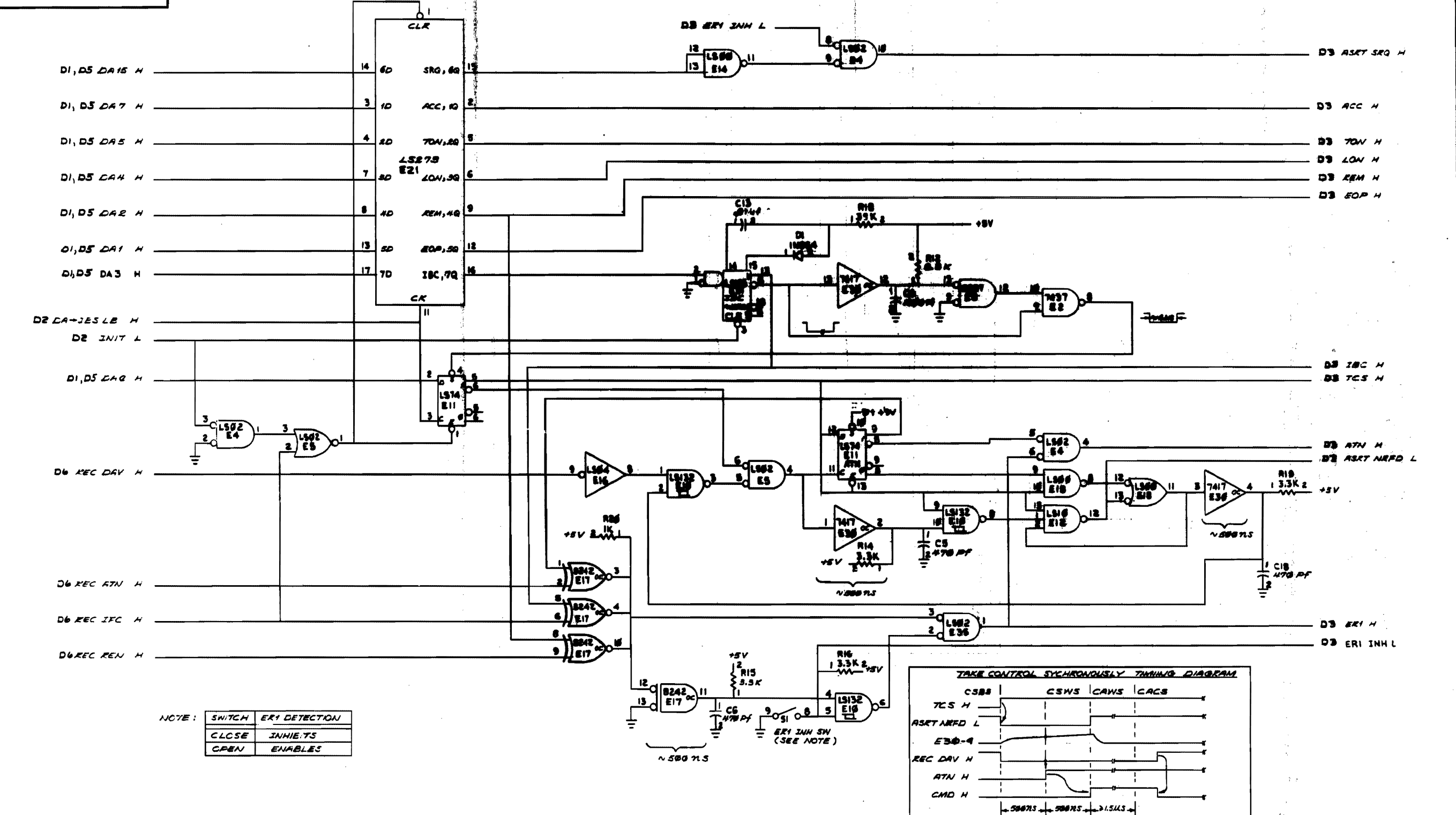
INTERRUPT PRIORITY	VECTOR ADDRESS	VEC ROSTB JVS	VZ JVZ
ERR	XXX*	L	L
SRQ	XXX+H	L	H
CMD,TKR	XXX+10	H	L
LNK	XXX+14	H	H

\* 000 ≤ XXX ≤ 760

REG SEL AND INT

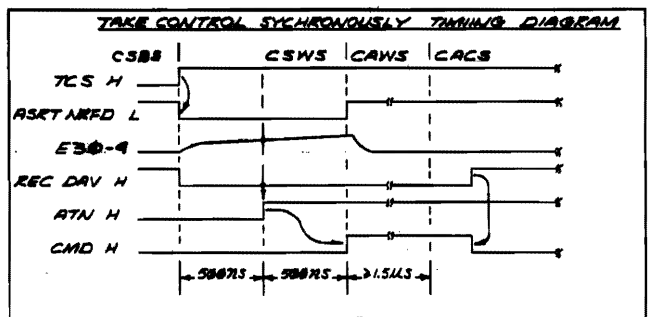
REVISIONS		
CHK	CHANGE NO.	REV.

"THE NUMBERS AND SPECIFICATIONS HEREIN ARE THE PROPERTY OF DIGITAL EQUIPMENT CORPORATION AND SHALL NOT BE REPRODUCED OR COPIED IN WHOLE OR IN PART AS THE BASIS FOR THE MANUFACTURE OR SALE OF ITEMS WITHOUT THE WRITTEN PERMISSION OF DIGITAL EQUIPMENT CORPORATION"



NOTE:

SWITCH	ERI DETECTION
CLOSE	INHIBITS
OPEN	ENABLES



CONTROL AND STATUS

REVISIONS		
CHK	CHANGE NO.	REV.

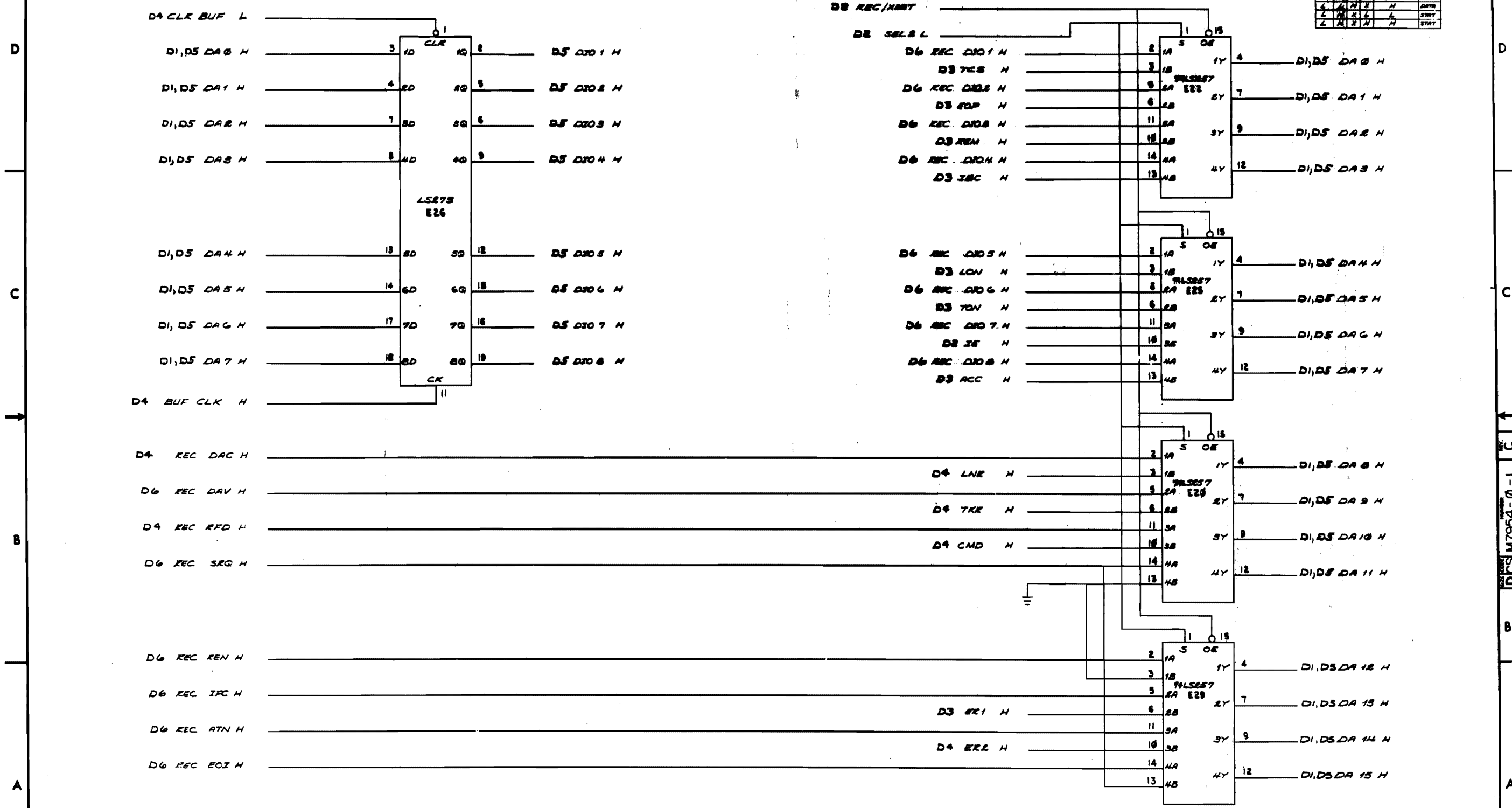
TITLE	LSI11/IB INTERFACE	SIZE CODE	D CS	NUMBER	M7954-0-1	REV.	C
SCALE		SHEET	3 OF 7	DIST.			



THIS DRAWING AND SPECIFICATIONS HEREIN ARE THE PROPERTY OF THE UNITED STATES GOVERNMENT AND ARE TO BE USED IN CONNECTION WITH THE PERFORMANCE OF THE CONTRACT UNDER WHICH THEY WERE PREPARED. IT IS TO BE KEPT IN THE ORIGINAL OR IN A COPY THEREOF IN THE OFFICE OF THE CONTRACTING OFFICER. IT IS TO BE RETURNED TO THE CONTRACTING OFFICER AT THE END OF THE CONTRACT OR AT THE END OF THE PERIOD FOR WHICH IT WAS PREPARED. IT IS TO BE DESTROYED AT THE END OF THE PERIOD FOR WHICH IT WAS PREPARED. IT IS TO BE KEPT IN THE ORIGINAL OR IN A COPY THEREOF IN THE OFFICE OF THE CONTRACTING OFFICER. IT IS TO BE RETURNED TO THE CONTRACTING OFFICER AT THE END OF THE CONTRACT OR AT THE END OF THE PERIOD FOR WHICH IT WAS PREPARED. IT IS TO BE DESTROYED AT THE END OF THE PERIOD FOR WHICH IT WAS PREPARED.

74LS257 TRUTH TABLE

OE	S	A	B	Y
H	X	X	X	HIGH ZMP
L	L	L	L	L DATA
L	L	L	H	L DATA
L	L	H	L	L DATA
L	L	H	H	L DATA
L	H	L	L	L DATA
L	H	L	H	L DATA
L	H	H	L	L DATA
L	H	H	H	L DATA



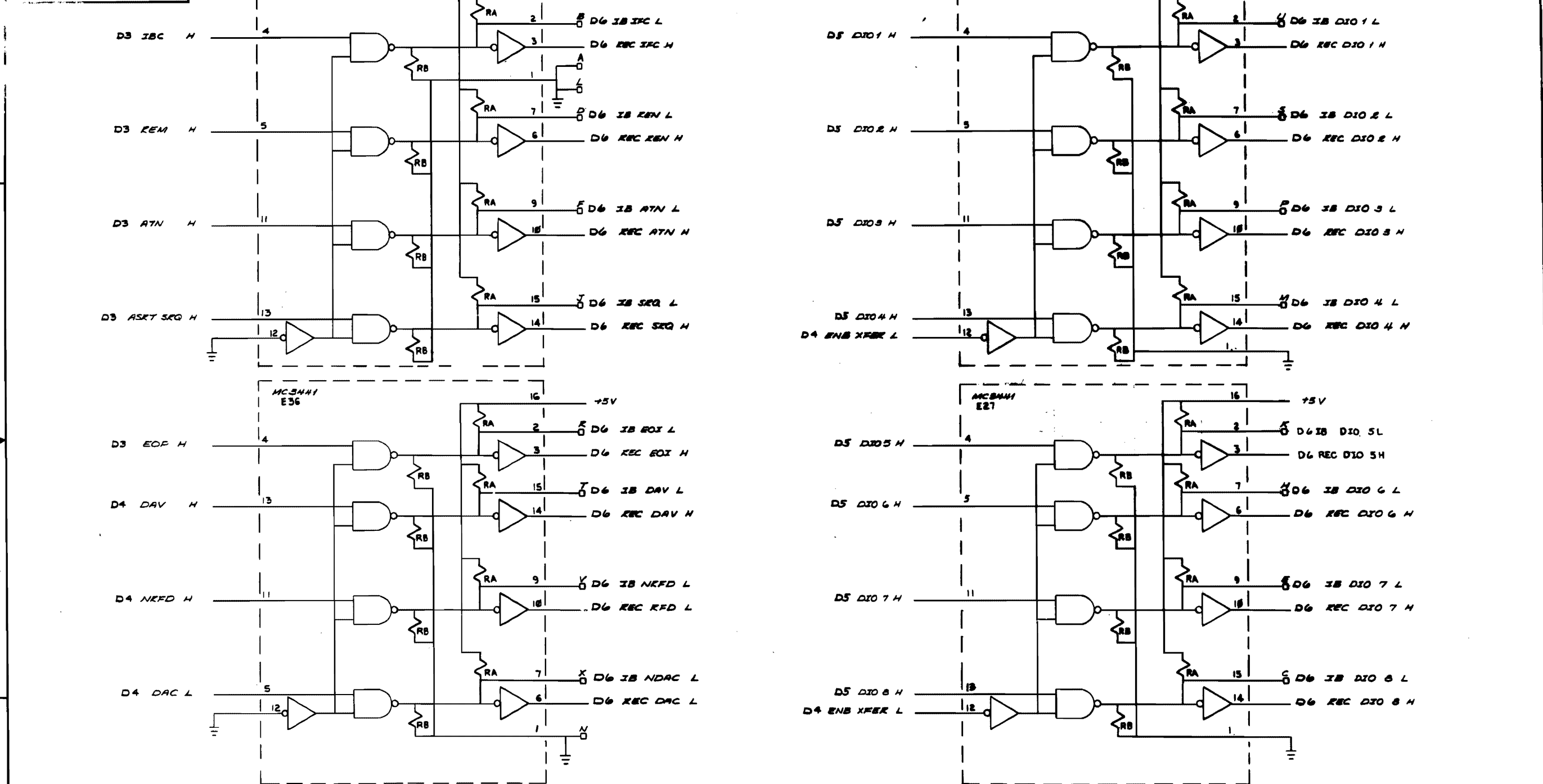
REVISIONS

CHK	CHANGE NO.	REV.

DATA/STAT MUX D5

TITLE	DCS	NUMBER	REV.
LS11/IB INTERFACE	M7954-0-1	C	
SCALE	SHEET	DIST.	
	5 OF 7		

THIS DRAWING AND SPECIFICATIONS HEREIN ARE THE PROPERTY OF DIGITAL EQUIPMENT CORPORATION AND SHALL NOT BE REPRODUCED OR COPIED OR USED IN WHOLE OR IN PART AS THE BASIS FOR THE MANUFACTURE OR SALE OF ITEMS WITHOUT WRITTEN PERMISSION. COPYRIGHT © 1976, DIGITAL EQUIPMENT CORPORATION



NOTES: 1. RA = 3.0KΩ, INTERNAL RESISTOR.  
 2. RB = 6.2KΩ, INTERNAL RESISTOR.  
 3. —□ IS A BERG CONNECTOR PIN.

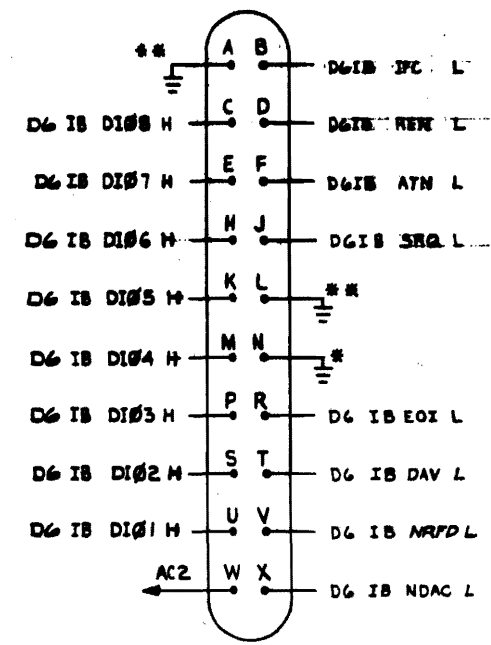
REVISIONS		
CHK	CHANGE NO.	REV.

INSTRUMENT BUS INTERFACE D6

TITLE	LSI11/IB INTERFACE	SIZE CODE	D CS	NUMBER	M7954-0-1	REV.	C
SCALE	1:1	SHEET	6	OF	7	DIST.	

THE DRAWING AND SPECIFICATIONS HEREON ARE THE PROPERTY OF DIGITAL EQUIPMENT CORPORATION AND SHALL NOT BE REPRODUCED OR COPIED OR USED IN WHOLE OR IN PART AS THE BASIS FOR THE MANUFACTURE OR SALE OF ITEMS WITHOUT WRITTEN PERMISSION. COPYRIGHT © 1976 DIGITAL EQUIPMENT CORPORATION

NOTES:  
 1. (#) TERMINATION GROUND (PIN 1) OF DRIVER FOR EOI, DAV, NRFD & NDAC SIGNALS.  
 2. (#) TERMINATION GROUND (PIN 1) OF DRIVER FOR IFC, REN, ATN & SRQ SIGNALS.



REVISIONS		
CHK	CHANGE NO.	REV.

CABLE CONNECTOR PIN ASSIGNMENT

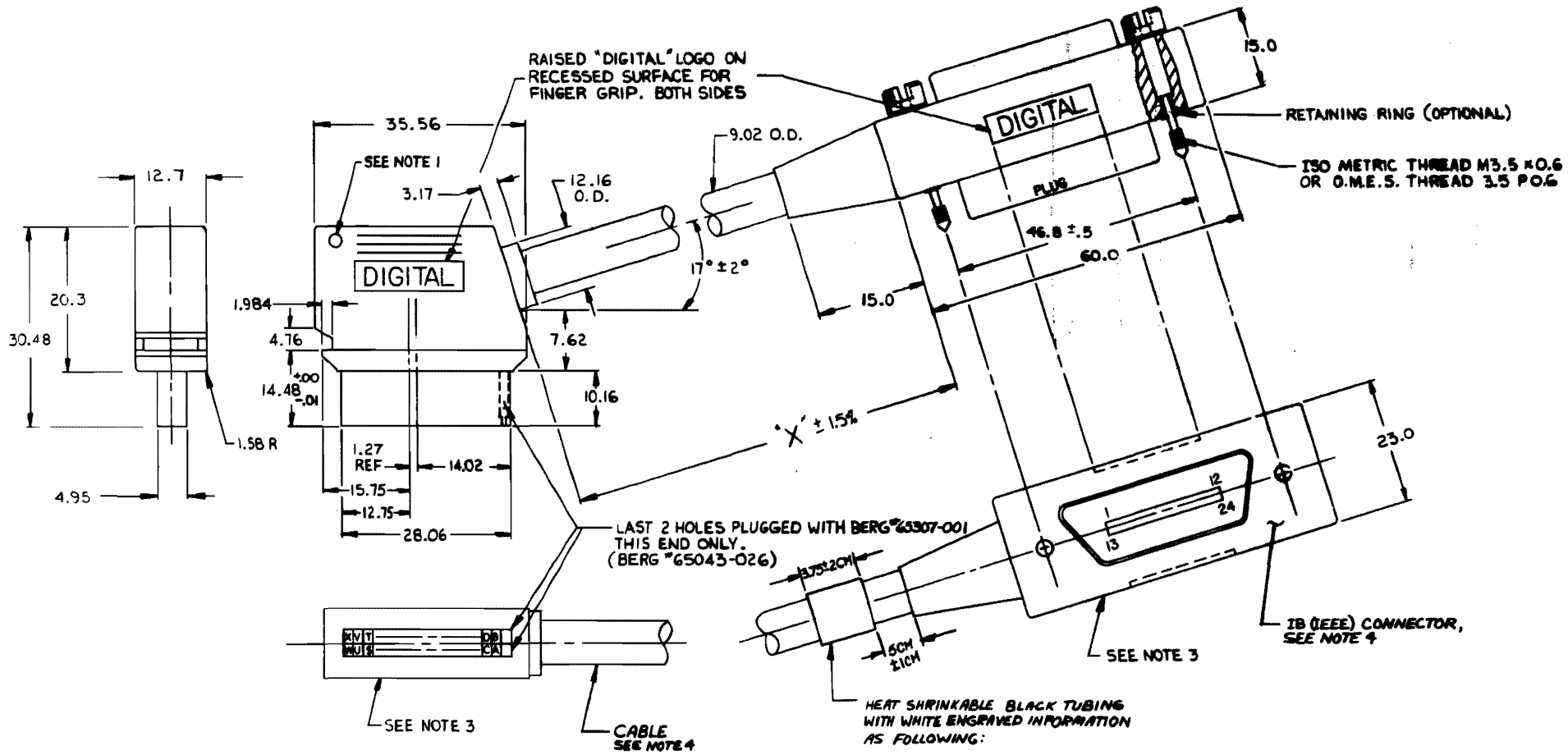
D7

TITLE	LS111 / IB INTERFACE	SIZE/COO	D CS	NUMBER	M7954-0-1	REV.	C
SCALE	1:1	SHEET	7 OF 7	DIST.			

THIS DRAWING AND SPECIFICATIONS HEREIN ARE THE PROPERTY OF DIGITAL EQUIPMENT CORPORATION AND SHALL NOT BE REPRODUCED OR COPIED OR USED IN WHOLE OR IN PART AS THE BASIS FOR THE MANUFACTURE OR SALE OF ITEMS WITHOUT WRITTEN PERMISSION. COPYRIGHT © 1976, DIGITAL EQUIPMENT CORPORATION.

LEGEND		
REFERENCE NO.	OPTION NUMBER	DIRTY (LENGTH)
1700079-00	BN11A-01	4-METER
1700079-01	BN11A-02	2-METER
1700079-02	BN11A-01	1-METER

- NOTES:
1. LOCATING BOSS LOCATED APPROX. AS SHOWN. 30TH SIDES IF NECESSARY.
  2. CABLE AND CONNECTOR COLOR IS GREY.
  3. MOLDING MATERIAL: VINYL
  4. CABLE AND CONNECTOR CHARACTERISTICS ARE DEFINED BY IEEE STD 488-1975



SIGNAL NAME	CONNECTOR PIN		
	IB CONNECTOR *	MOLDER (BERG) HOUSING (22-CAVITY) †	WIRE COLOR
DIO 1	1	U	BRN
DIO 2	2	V	BLK
DIO 3	3	W	ORG
DIO 4	4	X	YEL
EOI	5	Y	GRN
DAY	6	Z	BLU
MSD	7	V	VIO
NOAC	8	X	GRY
IPC	9	B	WHT
SBO	10	J	BLK/WHT
ATN	11	F	BRN/WHT
SHIELD	12	W	N/A SHIELD
DIO 5	13	K	ORG/WHT
DIO 6	14	H	YEL/WHT
DIO 7	15	E	GRN/WHT
DIO 8	16	C	BLU/WHT
BN	17	D	VIO/WHT
GND	18	N	GRY/WHT †
GND	19	N	BLK/BRN/WHT †
GND	20	N	BLK/RED/WHT †
GND	21	A	BLK/ORG/WHT †
GND	22	A	BLK/YEL/WHT †
GND	23	L	BLK/GRN/WHT †
GND	24	L	BLK/BLU/WHT †

- \* CONNECTOR MEETS SPEC. DEFINED BY IEEE STD 488-1975 E.G. CMS #2024.
  - \*\* CONNECTOR MEETS SPEC. DEFINED BY THIS DRAWING.
  - CAVITY IS TERMINATED WITH BERG #97041 PART OR EQUIVALENT
  - † THESE THREE WIRES ARE CONNECTED AS FOLLOWS.
- 
- N ———
  - △ THESE TWO WIRES ARE CONNECTED AS FOLLOWS, A ———
  - THESE TWO WIRES ARE CONNECTED AS FOLLOWS, L ———

METRIC DIMENSIONS

DEC  
BN11A-YY  
1700079-ZZ  
SEE LEGEND OF THIS DRAWING FOR VALUES OF YY AND ZZ

REV.	CHG	NO.	DATE	BY	APP.
1	A	00001		C. LAU	

DESCRIPTION	DWG. PART NO.	ITEM NO.				
UNLESS OTHERWISE SPECIFIED DIMENSIONS ARE IN MILLIMETERS						
CLASS OF ACCURACY (CHECK ONE)	TOLERANCES UNLESS SPECIFIED IN MILLIMETERS					
	OVER 150	75	25	10	5	2.5
SURFACE QUALITY IN MICRONS	PREferred	16.3	10.4	10.6	11.0	12.5
	OTHER					
QUANTITY & VARIATION	FIRST USED ON					
REMOVE BURRS AND BREAK SHARP CORNERS	TITLE					
DO NOT SCALE DWG	CABLE, BN11A					
MATERIAL	NCNE	SIZE	CODE	NUMBER	REV.	
FINISH	NONE	SCALE	NONE	D 1/4	BN 11A - D - D	A
		SHEET	OF	DIST		

