

BOARD ASSEMBY
FLOPPY DISK CONTROLLER
FM-XCV21

PREPARED BY	DATE	APPROVED BY	DATE
L. Perkins	10-4-79	[Signature]	10-12-79
APPROVED BY	DATE	APPROVED BY	DATE
[Signature]	10-12-79	[Signature]	10-12-79

REV LTR	DESCRIPTION	DATE	APPROVED	REV LTR	DESCRIPTION	DATE	APPROVED
A	REL TO PROD PER EO 3513	2-7-80	[Signature]				
B	INCorp EO 3571	3-18-80	[Signature]				
C	INCorp EO 3663	5-2-80	[Signature]				

PRODUCTION RELEASE

REV STATUS OF SHEETS	REV LTR	C	A	B	A	C	C	B	C
	SHEET	1	2	3	4	5	6	7	8

REFERENCE DESIGNATION	REFERENCE DESIGNATION	REFERENCE DESIGNATION	REFERENCE DESIGNATION	REFERENCE DESIGNATION
U21, 28, 29, 39	U1A	R9	Q1, 2	
U49	U1B	R14	Q3, 4	
U60	U1	R19, 20	Y1	
U26, 48	U2, 2	R17, 21	J1	
U27	U9	R01		
U34	U33	R12	U2	
U36	U42	C18	U3	
U3	U18, 19		U4	
U35, 63, 65	U17, 15, 16	C3, 3	U5	
U25, 33, 54	U31	C7	U6	
U50	U59		U12	
U23	U62	C4, 2	LAB SET	
U24	U45, 47, 56, 58, 61, 64	C1	R12, R13	
U17	U20	C30, 31		
U40	R4	C11, 16		
U37	R1, 6, 7, 8, 15, 23	C9		
U44, 55	R5	C5, 6, 10, 12, 13, 14, 15,		
U51, 52, 53		C17, 19, 20, 21 THRU 23,		
U30, 32		C32		
U13	R10, 11			
U11, 14	R2			
U46, 57	R3	CPI, 2, 3, 4, 5		

QTY REQD	PART OR IDENTIFYING NO.	NOMENCLATURE OR DESCRIPTION	SPECIFICATION	CODE IDENT NO.	ZONE	F I N D	S Y M	C/I USAGE
1	703529-001	PRINTED WIRING BOARD				1		
1	701329-001	HANDLE, CARD				2		
4	SNT452E1	IC/ DATA SEL/MULTIPLEXERS	T.I.			3		
1	SNT4500	IC/ QUAD 2-INPUT POS-NAND GATE				4		
1	SNT4502	IC/ QUAD 2-INPUT POS-NOR GATE				5		
2	SNT4504	IC/ HEX INVERTER				6		
1	SNT4508	IC/ QUAD 2-INPUT POS-NAND GATE				7		
1	SNT4510	IC/ TRIPLE 3-INPUT POS-NAND GATE				8		
1	SNT4511	IC/ TRIPLE 3-INPUT POS-NAND GATE				9		
1	SNT416	IC/ HEX INVERTER BUFFERS/DRIVERS E/DC				10		
3	SNT438	IC/ QUAD 2-INPUT POS-NAND BUFFERS WITH				11		
3	SNT4574	IC/ DUAL D-TYPE ED5-TRIG FIF W/PRESET/CLEAR				12		
1	SNT4530	IC/ QUAD 2-INPUT EXCLUSIVE-OR GATES	T.I.			13		

QTY REQD	PART OR IDENTIFYING NO.	NOMENCLATURE OR DESCRIPTION	SPECIFICATION	CODE IDENT NO.	ZONE	F I N D	S Y M	C/I USAGE
1	SNT492	IC/ DECODE, DIV BY TWELVE & BINARY COUNTERS	T.I.			14		
1	SNT4123	IC/ DUAL RETRIEVAL MONO MULTI W/CLEAR				15		
1	SNT4512A	IC/ DUAL VOLTAGE CONTROLLED OSCILLATOR				16		
1	SNT45139	IC/ DECODER/DEMULTIPLEXERS				17		
1	SNT45175	IC/ HEX/QUAD D-TYPE FIF W/CLEAR				18		
2	SNT45251	IC/ QUAD DATA SELECTORS/MULTIPLEXERS				19		
3	SNT45259	IC/ 8-BIT ADDRESSABLE LATCHES				20		
2	SNT4276	IC/ QUAD J-K FLIP-FLOPS				21		
1	100181-100	IC/ 256-BIT PROM 3-STATE OUTPUTS				22		
2	SNT45374	IC/ OCTAL D-TYPE FLIP-FLOPS				23		
2	SNT45333	IC/ OCTAL REGISTER				24		
1	SNT45124	IC/ 8-BIT PARALLEL OUT SERIAL SHIFT REG.				25		
1	SNT45295	IC/ 4-BIT BIDIRECTIONAL UNIVERSAL SHIFT REG.	T.I.			26		

The information hereon is the property of PLESSEY PERIPHERAL SYS. Transmittal receipt or possession of the information does not imply license, or imply any rights to use, sell, or manufacture from this information, and no reproduction or publication of it in whole or in part, shall be made without written authorization from PLESSEY PERIPHERAL SYS.

CODE IDENT NO. DWG NO. PL 703530-100
 SIZE B
 SCALE
 REV C
 SHEET 1 OF 3

NOTE	QTY REQD	PART OR IDENTIFYING NO.	NOMENCLATURE OR DESCRIPTION	SPECIFICATION	CODE IDENT NO.	ZONE	F I N D	S Y M	C/I USAGE				NOTE	QTY REQD	PART OR IDENTIFYING NO.	NOMENCLATURE OR DESCRIPTION	SPECIFICATION	CODE IDENT NO.	ZONE	F I N D	S Y M	C/I USAGE			
									C/I CODE	TRY ON BOARD	P A R	UNIT COST										C/I CODE	TRY ON BOARD	P A R	UNIT COST
	1	100182-100	IC/ PROGRAMMABLE READ-ONLY MEMORIES				27							1	CR05BX 521K	CAPACITOR/ 520pf, 50V	MIL-C-11015			53					
	1	SN7415322	IC/ DUAL DATA SELECTORS/ MULTIPLEXERS	T.I.			28													54					
	1	SN75452	IC/ DUAL NOR DRIVER	T.I.			29							2	CR05BX 102K	CAPACITOR/ .001uf, 200V				55					
	1	100123-100	IC/ 256 X 4 PROM				30							1	CR05BX 102K	CAPACITOR/ .01uf, 100V				56					
	1	100134-100	IC/ 512 X 4 PROM				31				B									57					
	2	442901 825	IC/ 4 BIT BI-POLAR MICROPROCESSOR SLICE	AMD			32				B			2	CR05BX 102K	CAPACITOR/ .1uf, 50V	MIL-C-11015			58					
	3	442911 26	IC/ 4-BIT MICROPROCESSOR SEQUENCER	AMD			33							1	1501056X 01022	CAPACITOR/ 22uf, 10V	SPRAGUE			59					
	1	9401	IC/ CRC GENERATOR	FURCHILD			34							2	150D156X 01022	CAPACITOR/ 15uf, 15V	SPRAGUE			60					
	1	T154044-201L	IC/ 4K X 1 RAM	T.I.			35							2	CD10FD 221G03	CAPACITOR/ 220pf, ±2%, 50V	CDE			61					
	1	8640	IC/ QUAD BUS RECEIVER	NATIONAL			36							1	CD10FD 271J03	CAPACITOR/ 270pf, ±5%, 50V	CDE			62					
	6	8644	IC/ QUAD BUS TRANS	NATIONAL			37				C			20	49A1032D1	CAPACITOR/ .01uf	UNITRODE			63					
	1	100121-101	IC PROM				38							6	D1LB70P -108	SOCKET/ 20 PIN	BURNDY			64					
	1	EC076F 222J	RESISTOR/ 2.2K, ±5%, 1/4W	MIL-R-11			39				C			3	D1LB16P -108	SOCKET/ 16 PIN	BURNDY			65					

PARTS LIST Plessey Peripheral Systems CODE IDENT NO. 52648 PARTS LIST NO. PL703530-100 SH 6 C

PARTS LIST Plessey Peripheral Systems CODE IDENT NO. 52648 PARTS LIST NO. PL703530-100 SH 8 B

NOTE	QTY REQD	PART OR IDENTIFYING NO.	NOMENCLATURE OR DESCRIPTION	SPECIFICATION	CODE IDENT NO.	ZONE	F I N D	S Y M	C/I USAGE				NOTE	QTY REQD	PART OR IDENTIFYING NO.	NOMENCLATURE OR DESCRIPTION	SPECIFICATION	CODE IDENT NO.	ZONE	F I N D	S Y M	C/I USAGE			
									C/I CODE	TRY ON BOARD	P A R	UNIT COST										C/I CODE	TRY ON BOARD	P A R	UNIT COST
	6	RC075F102J	RESISTOR/ 1K, ±5%, 1/4W	MIL-R-11			40							5	IN914	DIODE	T.I.			66					
	1	RC075F102J	RESISTOR/ 10K, ±5%, 1/4W	MIL-R-11			41							2	2N4701	TRANSISTOR	MOTOROLA			67					
C							42							2	2N2222A	TRANSISTOR	MOTOROLA			68					
C							43							1	MYO-40-2 -12MHZ	OSCILLATOR/ 12.0MHZ	CTS			69					
	2	RC075F53J	RESISTOR/ 3.3K, ±5%, 1/4W	MIL-R-11			44							1	801-067	CONNECTOR/ 50 PIN, RT ANGLE	SPECTRA STRIP			70					
	1	RC075F24J	RESISTOR/ 24K, ±5%, 1/4W				45							2	MS16535 -154	RIVET/ TUBULAR OVAL HEAD .123 DIA X .183 LG				71					
	1	RC075F10AJ	RESISTOR/ 100K, ±5%, 1/4W				46							1	100182-101	IC/ PROM				72					
	1	RC075F100J	RESISTOR/ 10Ω, ±5%, 1/4W				47							1	100182-102	IC/ PROM				73					
	1	RC075F10UJ	RESISTOR/ 100Ω, ±5%, 1/4W				48							1	100182-103	IC/ PROM				74					
	2	RC075F181UJ	RESISTOR/ 180Ω, ±5%, 1/4W				49							1	100182-104	IC/ PROM				75					
	2	RC075F291UJ	RESISTOR/ 300Ω, ±5%, 1/4W	MIL-R-11			50							1	100182-105	IC/ PROM				76					
	1	750-85-R220/330	RESISTOR MODULE/ 220/330	CTS			51				B			1	SN745374	IC/ OCTAL D-TYPE F/F	T.I.			77					
	1	750-91-R1K	RESISTOR MODULE/ 1K	CTS			52							REF	SD 703530	SCHEMATIC DIAGRAM				78					

PARTS LIST Plessey Peripheral Systems CODE IDENT NO. 52648 PARTS LIST NO. PL703530-100 SH 6 C

PARTS LIST Plessey Peripheral Systems CODE IDENT NO. 52648 PARTS LIST NO. PL703530-100 SH 8 B

PL 703530-100 SHEET 2 of 3

CODE IDENT NO. 52648

SIZE B

SCALE

REV C

DWG NO.

The information hereon is the property of PLESSEY PERIPHERAL SYS. Transmittal receipt or possession of the information does not constitute license, or imply any rights to use, sell, or manufacture from this information and no reproduction or publication of it, in whole or in part, shall be made without written authorization from PLESSEY PERIPHERAL SYS.

Form 000087

The information herein is the property of PLESSEY MICROSYSTEMS. Transmittal, receipt or possession of the information does not constitute, license or imply any rights to use, sell, or manufacture from the information and no reproduction or publication of it, in whole or in part, shall be made without written authorization from PLESSEY MICROSYSTEMS.

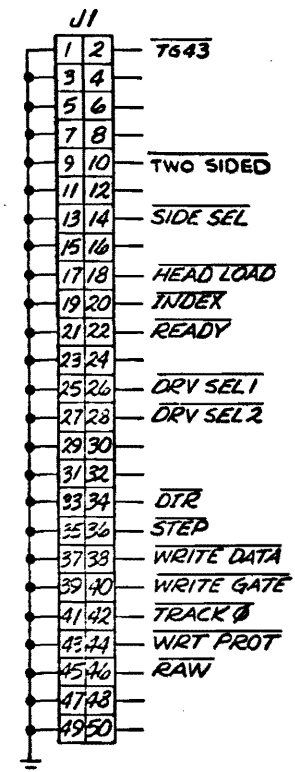
REVISIONS				
ZONE	LTR	DESCRIPTION	DATE	APPROVED
✓	A	REL TO PROD PER EO 3513	2-7-80	<i>[Signature]</i>
✓	B	INCRP EO 3571	3-18-80	<i>[Signature]</i>
✓	C	INCRP EO 3663	5-2-80	<i>[Signature]</i>

LAST REFERENCE DESIGNATION USED	
INTEGRATED CIRCUIT	U65
CAPACITOR	C32
RESISTOR	R23
RESISTOR MODULE	RUR
TRANSISTOR	Q4
DIODE	CR5
CONNECTOR	J1
OSCILLATOR	Y1

REFERENCE DESIGNATION NOT USED	
INT CKT	U10
RESISTOR	R22, 16, 18

REF DESIG.	GATES USED PER TOTAL	PART NUMBER
U34	2/3	74510

	SIDE 2	SIDE 1	
SOLDER SIDE	+5V	A BIRQ5L	CONNECTOR
		B BIRQ6L	
	GND	C BDAL16L	
		D BDAL17L	
	BDOU7L	E	
	BRPLYL	F	
	BDINL	H	
	BSYNCL	J	
	BWTB7L	K	
	BIRQ4L	L	
	BIKIL	M	
	ETAKOL	N BDMRL	
	EBSTL	P	
BDM47L	R		
BDMGOL	S		
BINT7L	T GND		
BDAL0L	U		
BDAL1L	V		
COMPONENT SIDE	+5V	A BDCOKH	CONNECTOR
		B BPOKH	
	GND	C	
		D	
	BDAL2L	E	
	BDAL3L	F	
	BDAL4L	H	
	BDAL5L	J	
	BDAL6L	K	
	BDAL7L	L	
	BDAL8L	M	
	BDAL9L	N BSACKL	
	BDAL10L	P BIRG7L	
BDAL11L	R		
BDAL12L	S		
BDAL13L	T GND		
BDAL14L	U		
BDAL15L	V		



JUMPER TABLE	
FROM	TO
W10	W43
W39	W40
W41	W42
W44	W45
W19	W20
W22	W23
W13	W14

- COMPONENT VALUES ARE LAB SET.
 - ALL DIODES ARE IN514.
 - CAPACITOR VALUES ARE MICROFARADS.
 - RESISTOR VALUES ARE IN OHMS, ±5%, 1/4W.
 - DESIGNATIONS SHOWN IN PARENTHESIS INDICATES WHERE SIGNAL ORIGINATES OR TERMINATES.
- (2/B3)
- ZONE DESIGNATION
SHEET NUMBER

- SIGNALS SHOWN IN RECTANGLES ARE I/O CONNECTIONS.
- BOARD SIDE
PIN DESIGNATION
CONNECTOR DESIGNATION

1. FOR ASSEMBLY DRAWING SEE 703530
NOTES: UNLESS OTHERWISE SPECIFIED:

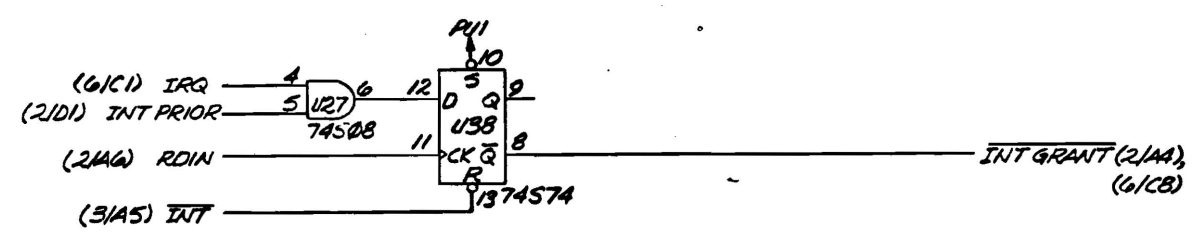
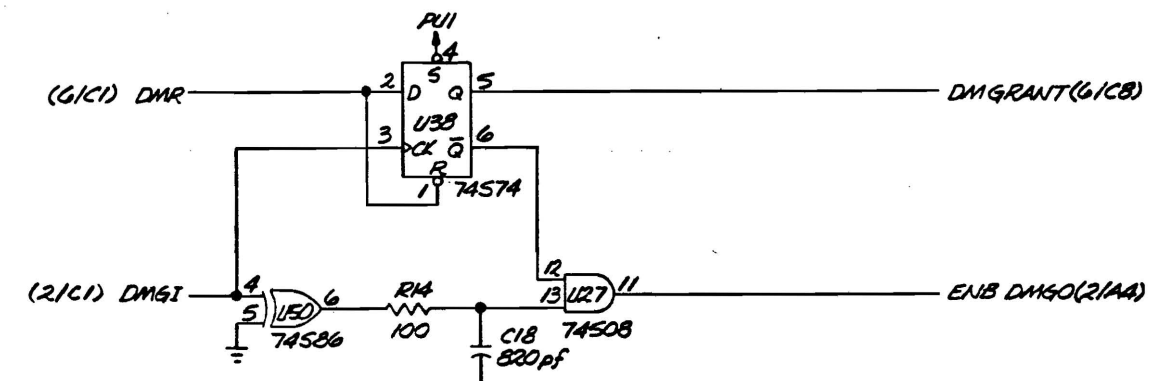
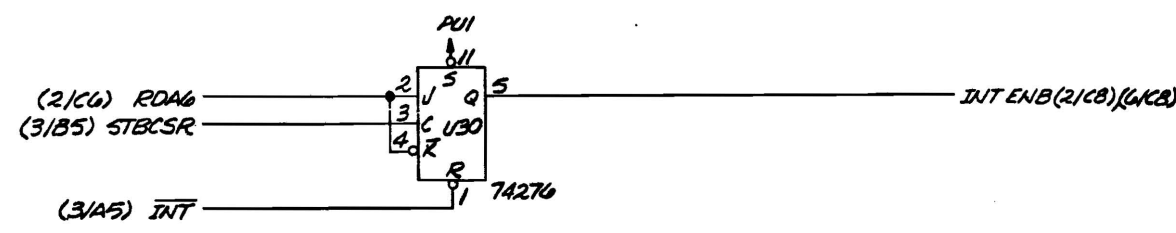
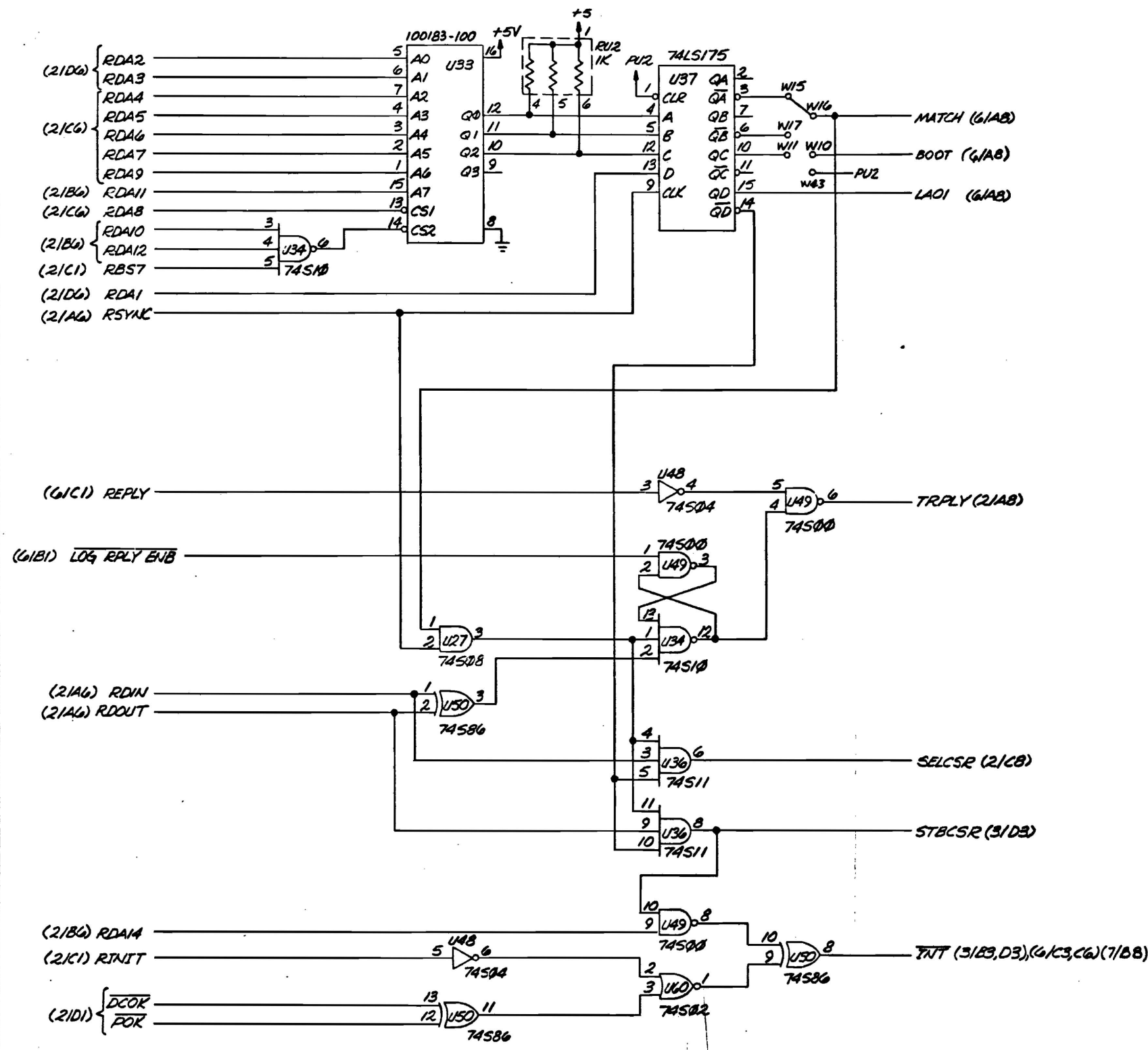
PRODUCTION RELEASE

PART/ASSY NO. & QTY PER ASSY		NOTE/PART OR IDENTIFYING NO.	NOMENCLATURE OR DESCRIPTION / MATERIAL	SPEC/SOURCE	CODE IDENT NO.	FIND NO.
PART/ASSY REV LTR <td colspan="2">PARTS LIST <td colspan="3">CONTRACT NO.</td> </td>		PARTS LIST <td colspan="3">CONTRACT NO.</td>		CONTRACT NO.		
DO NOT SCALE DRAWING		Plessey Microsystems		DRAWN <i>[Signature]</i> 9-11-79		
REMOVE ALL BURRS AND BREAK SHARP EDGES EQUIVALENT TO 0.008		DWG TITLE		SCHEMATIC DIAGRAM		
ROUNDSHORN OF MACHINED SURFACES 0.015		CHECK <i>[Signature]</i> 16-6-79		FLOPPY DISK CONTROLLER		
STANDARD HOLE TOLERANCE PER AND 2507		ENGR <i>[Signature]</i> 12/79		PM-XCV21		
TOLERANCES ON .125 & .250 DIA HOLE & 3 DIA ANGLES ±.015		PROJ. ENGR		SIZE CODE IDENT NO. DWG NO.		
INTERPRET DIMENSIONS AND TOLERANCES PER UNAS TITLE		PROD. DESIGN <i>[Signature]</i> 10-2-79		D 52648 SD703530		
DIMENSIONS ARE IN INCHES AND APPLY AFTER HEAT TREAT AND FINISH		OTHER		SCALE: 1		
UNLESS OTHERWISE SPECIFIED		APPROVALS		SHEET 1 OF 3		

The information herein is the property of PLESSEY PERIPHERAL SYS. Transmittal receipt or possession of the information does not constitute license or imply any rights to use, sell, or manufacture from this information and no reproduction or publication of it, in whole or in part, shall be made without written authorization from PLESSEY PERIPHERAL SYS.

REVISIONS				
ZONE	LTR	DESCRIPTION	DATE	APPROVED
		SEE SHT 1		

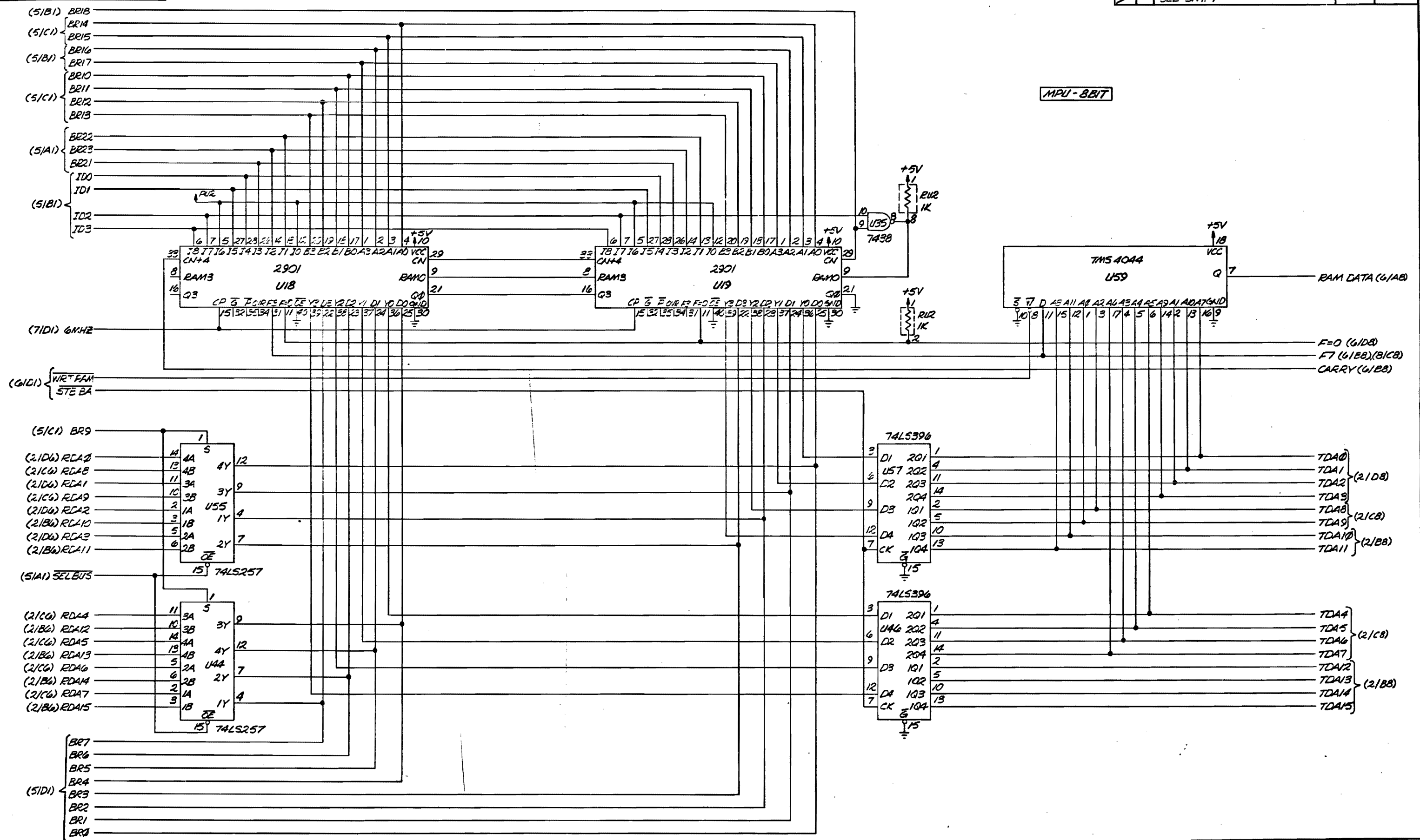
Q-BUS CONTROL



SIZE	CODE IDENT NO.	DWG NO.
D	52648	SD703530
SCALE:		SHEET 3 OF 8
		DISTR NO.

The information herein is the property of PLESSEY PERIPHERAL SYS. Transmittal here of or possession of the information does not constitute license, or copy, or rights to use, sell or manufacture from this information and no reproduction or publication of it, in whole or in part, shall be made without written authorization from PLESSEY PERIPHERAL SYS.

REVISIONS				
ZONE	LTR	DESCRIPTION	DATE	APPROVED
/		SEE SHT. 1		



SIZE	CODE IDENT NO.	DWG NO.
D	52648	SD703530
SCALE:	SHEET 4 OF 8	
		DISTR. NO.

D
C
B
A

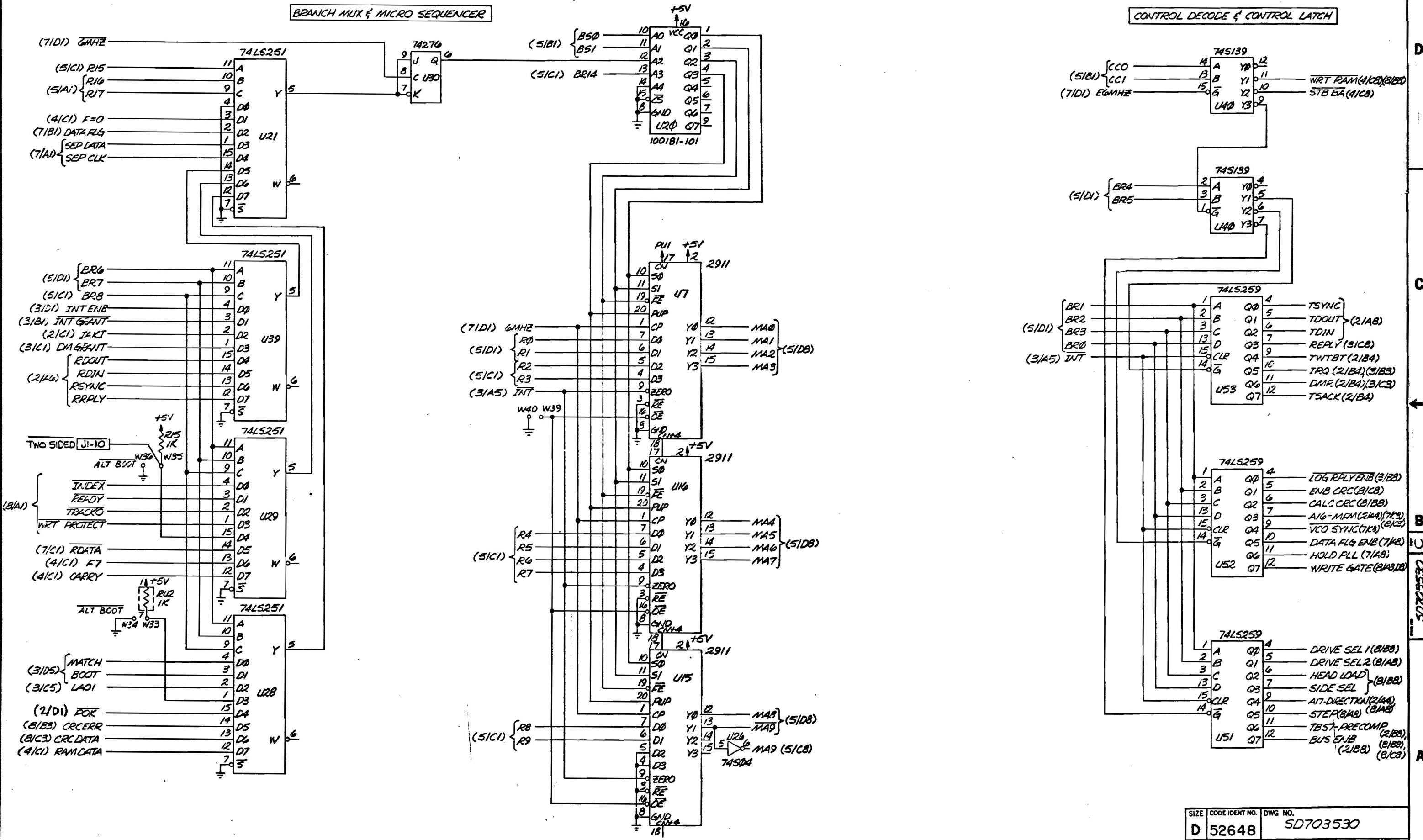
SD703530

The information herein is the property of PLESSEY PERIPHERAL SYS. Transmittal hereof or possession of the information does not constitute, in whole or in part, any rights to use, sell, or manufacture from this information and no reproduction or publication of it, in whole or in part, shall be made without written authorization from PLESSEY PERIPHERAL SYS.

REVISIONS				
ZONE	LTR	DESCRIPTION	DATE	APPROVED
		SEE SHT 1		

BRANCH MUX & MICRO SEQUENCER

CONTROL DECODE & CONTROL LATCH

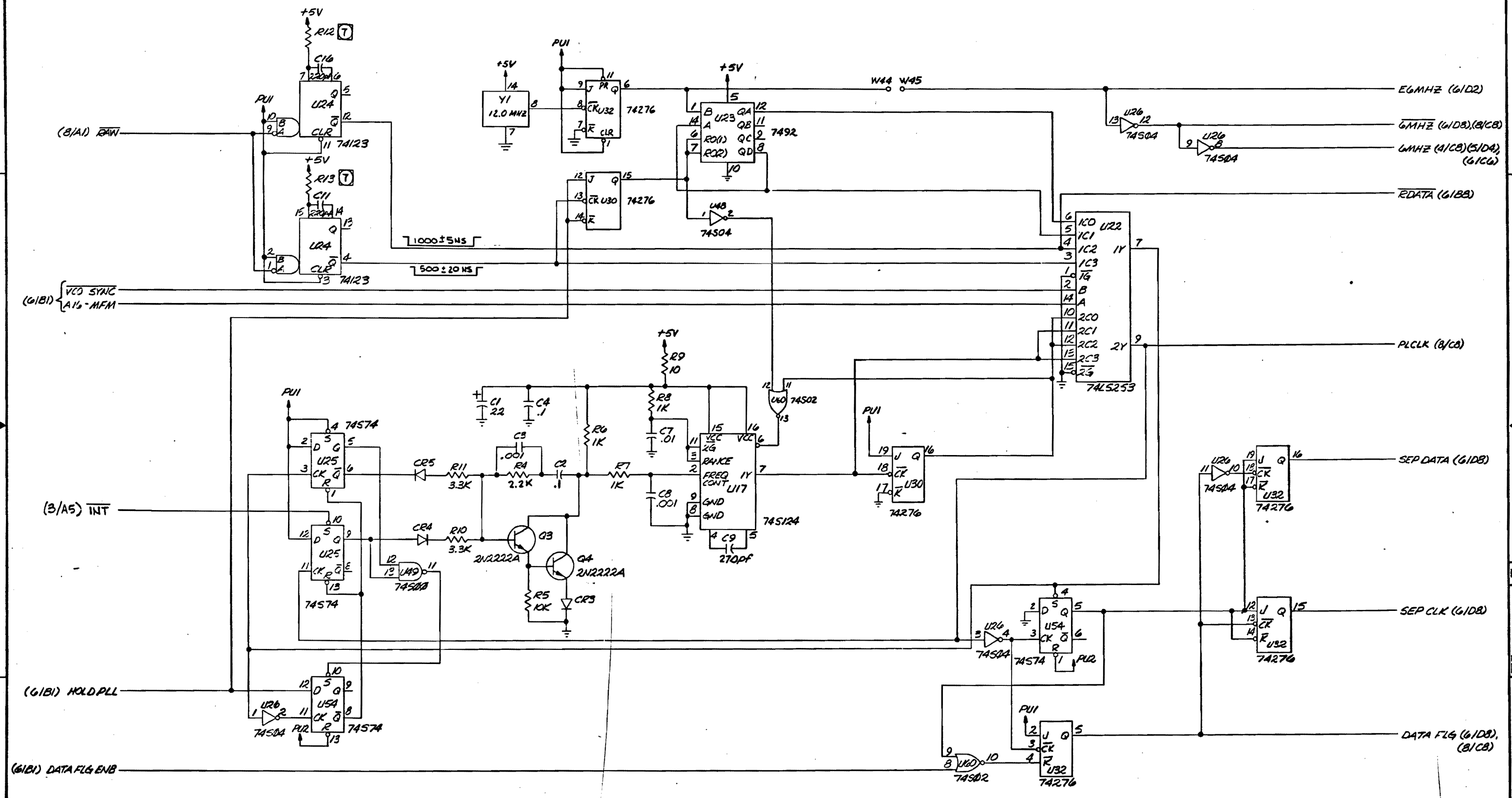


SIZE	CODE IDENT NO.	DWG NO.
D	52648	SD703530
SCALE:		SHEET 6 OF 8

The information herein is the property of PLESSEY PERIPHERAL SYS. Transmittal receipt or possession of the information does not comply, license, or imply any right to use, sell, or manufacture from the information and no reproduction or publication of it, in whole or in part, shall be made without written authorization from PLESSEY PERIPHERAL SYS.

REVISIONS				
ZONE	LTR	DESCRIPTION	DATE	APPROVED
/		SEE SHT 1		

DATA SEPARATION & MASTER TIMING

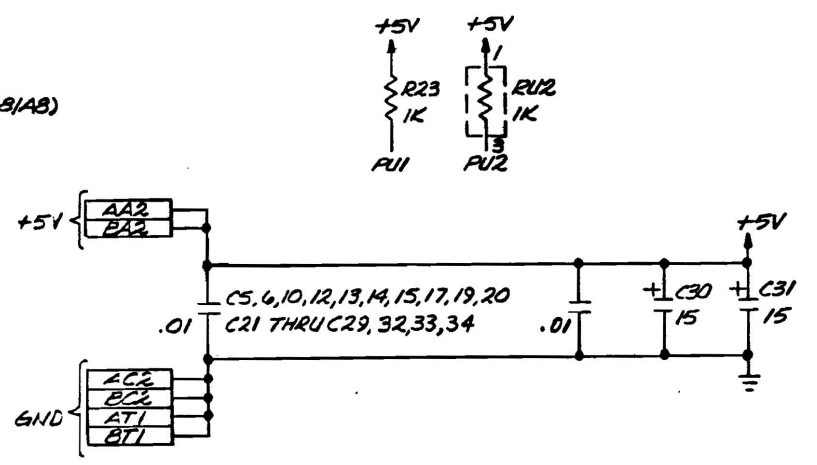
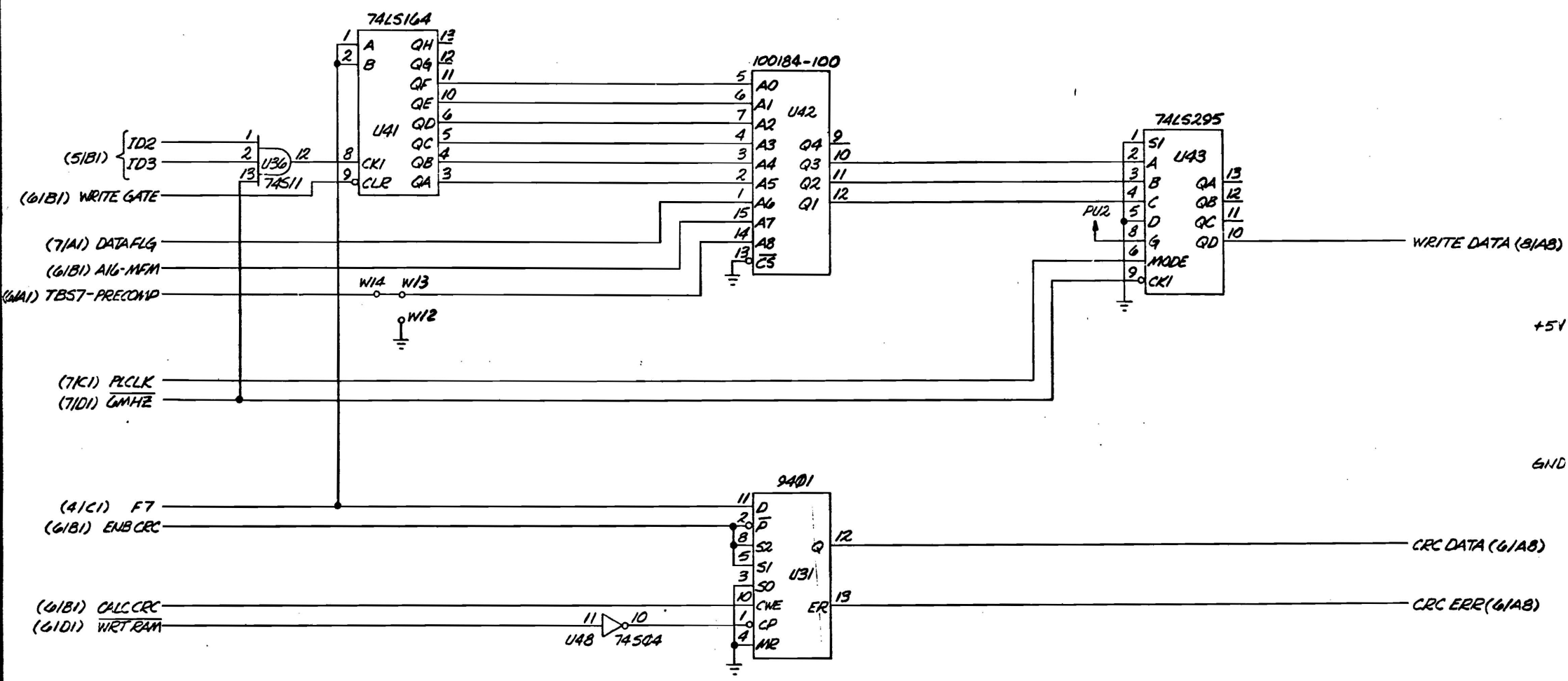


SIZE	CODE IDENT NO.	DWG NO.
D	52648	SD703530
SCALE:		SHEET 7 OF 8
		DISTR NO.

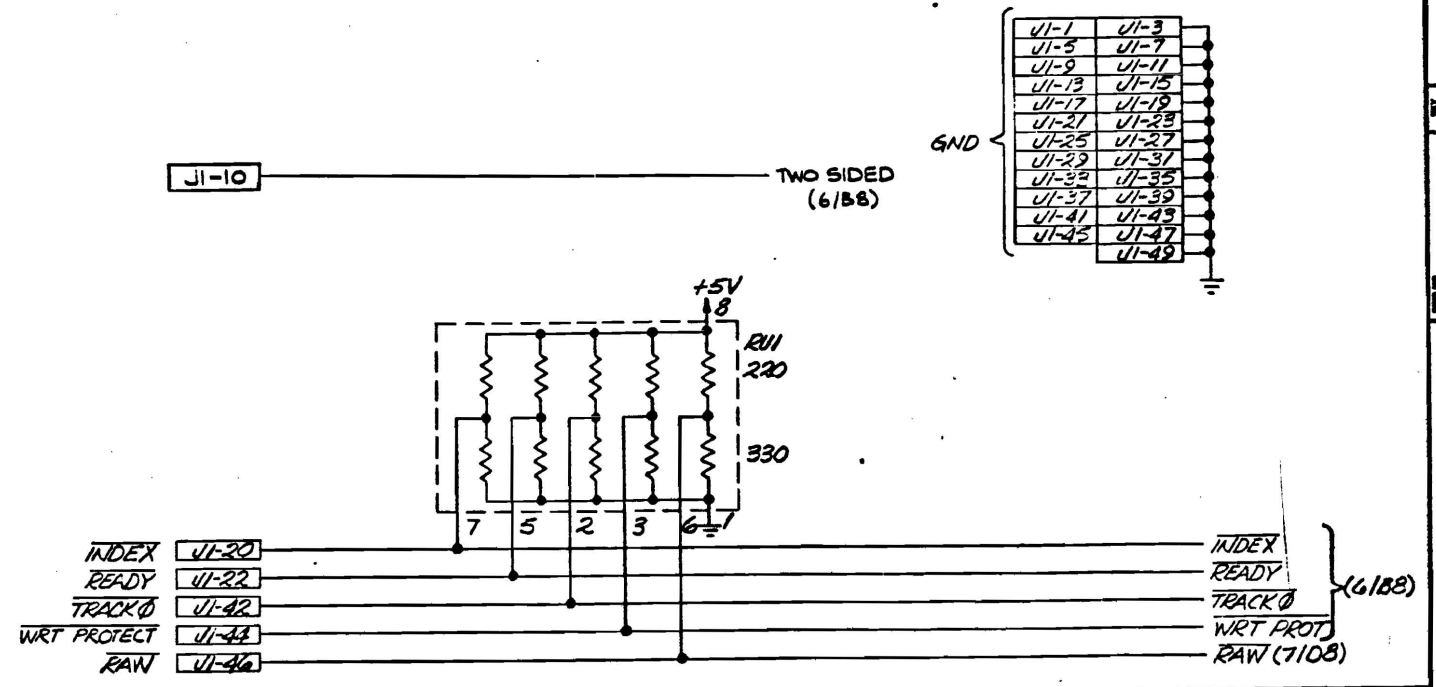
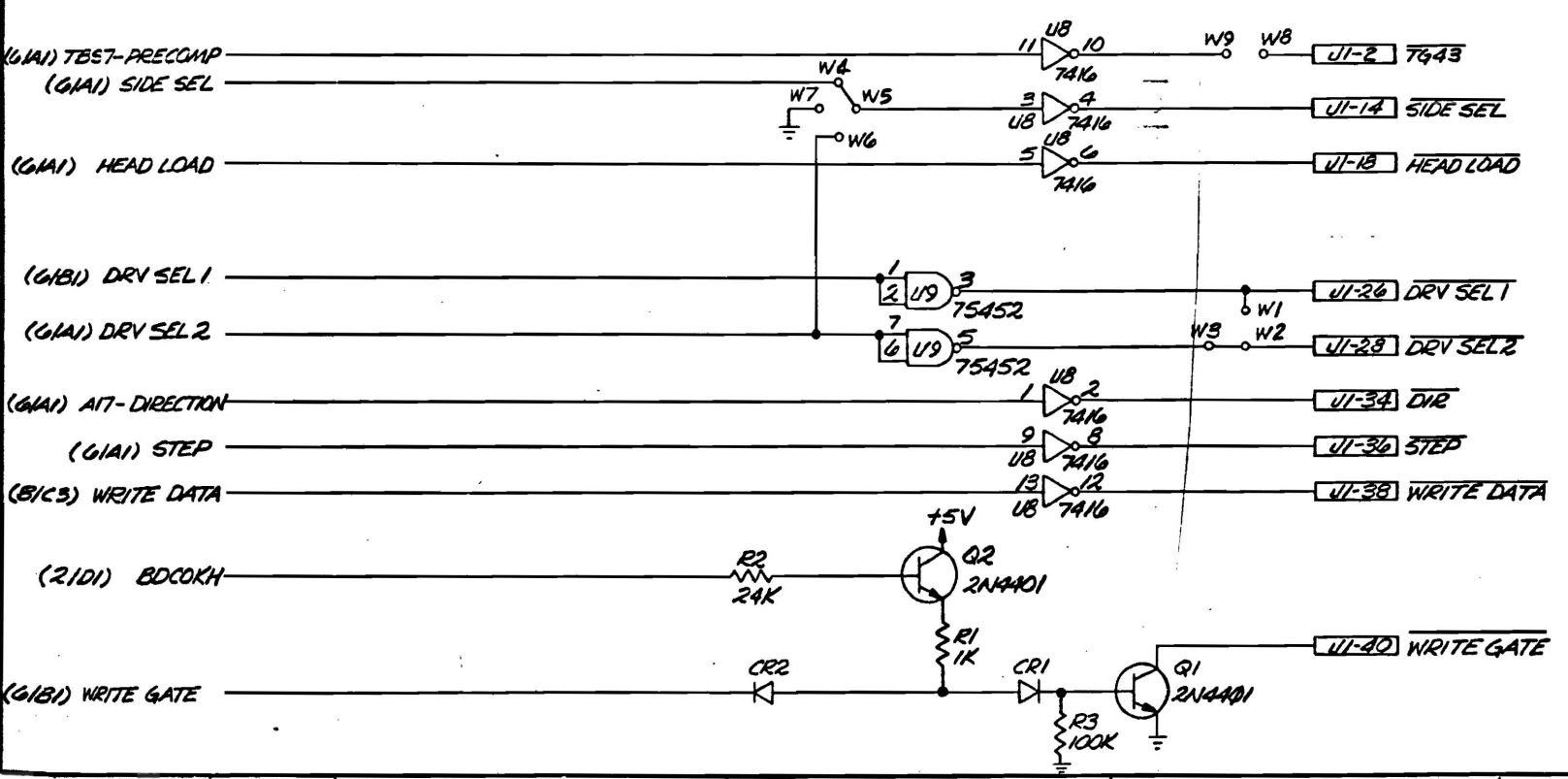
The information herein is the property of PLESSEY PERIPHERAL SYS. Transmittal receipt or possession of the information does not imply, license, or imply any rights to use, sell, or manufacture from the information and no reproduction or publication of it, in whole or in part, shall be made without written authorization from PLESSEY PERIPHERAL SYS.

REVISIONS				
ZONE	LTR	DESCRIPTION	DATE	APPROVED
		SEE SHT 1		

WRITE PRECOMP & CRC GENERATOR



DRIVE INTERFACE



SIZE	CODE IDENT NO.	DWG NO.
D	52648	SD703530
SCALE:		SHEET 8 OF 8
DISTR NO.		