

digital

TJUI6-E

Engineering Drawings

Digital Equipment Corporation

The material herein is for information purposes only and is subject to change without notice. Digital Equipment Corporation assumes no responsibility for any errors which may appear herein.

These drawings and specifications herein are the property of Digital Equipment Corporation and shall not be reproduced or copied or used in whole or in part as the basis for the manufacture or sale of items without written permission.
Copyright © 1975, Digital Equipment Corporation



CUSTOMER PRINT SET		ELECTRICAL					CUSTOMER PRINT SET		MECHANICAL						
		MFG. SET	FIND NO.	REV	NO OF SHT	DESCRIPTION	OPTION NO./FILE DATE			MFG. SET	FIND NO.	REV	NO OF SHT	DESCRIPTION	OPTION NO./FILE DATE
X			1		2	MAG TAPE DRIVE (TJUL6-E)					1		2	MAG TAPE DRIVE (TJUL6-E)	
X					1	MAG TAPE DRIVE (PARTS LIST)							1	MAG TAPE DRIVE (PARTS LIST)	
X					2	SHIPPING LIST									
X					1	SOFTWARE LIST									
					30	TJUL6 TAPE DRIVE SYS. CHK. OUT ACCEPT. TEST PROCED-WM									
X					4	TJUL6 FIELD SERVICE ACCEPTANCE PROCEDURE									
			2		REF	MAG TAPE UNIT (TU16)					2		REF	MAG TAPE UNIT (TU16)	
			3		2	MASS BUS CONTROLLER					3		2	MASS BUS CONTROLLER	
			4		REF	MAG TAPE CONTROLLER					4		REF	MAG TAPE CONTROLLER	

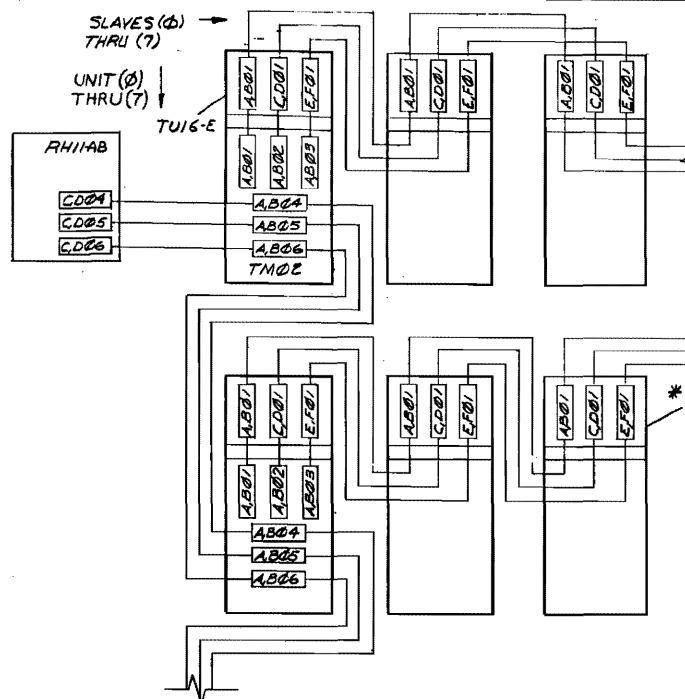
CUSTOMER PRINT SET CODES
X = PRINT OF DOCUMENT INCLUDED IN PRINT SET
C = INCLUDES ALL PRINTS INDICATED ON DOCUMENT
S = CONFIDENTIAL AUTHORIZED SIGNATURE REQUIRED

TITLE
MAG TAPE DRIVE (TJUL6-E)
SHEET 2 OF 2
SIZE CODE B DD
NUMBER TJUL6-E
REV

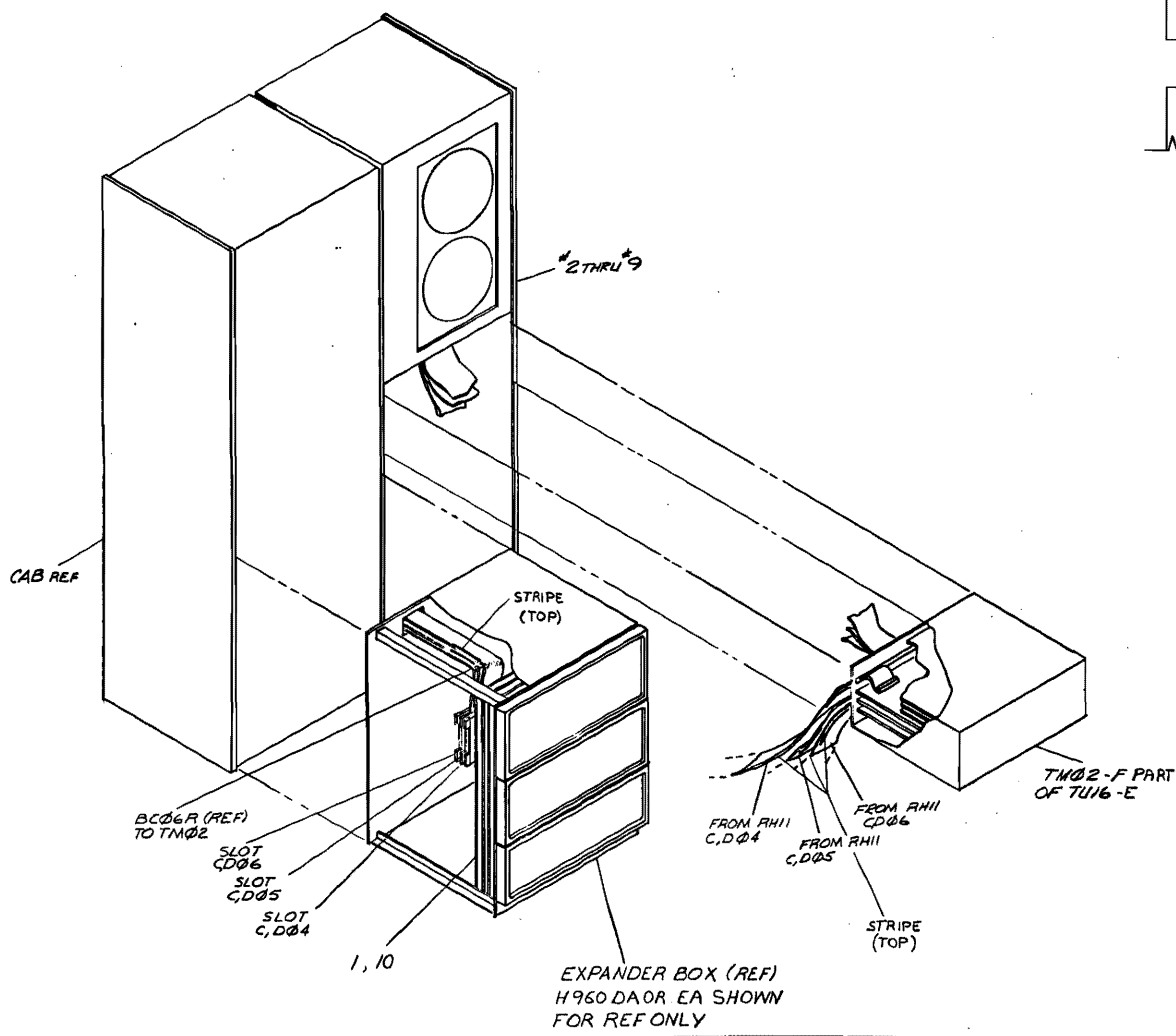
8 7 6 5 4 3 2 1

THIS DRAWING AND SPECIFICATION, HEREIN, ARE THE PROPERTY OF DIGITAL EQUIPMENT CORPORATION AND SHALL BE RETURNED TO THE COMPANY OR TO THE OFFICE OF THE PART MANAGER FOR THE MANUFACTURE OF THIS DRAWING WITHIN WRITTEN PERMISSION. COPYRIGHT © 1974 DIGITAL EQUIPMENT CORPORATION.

LEGEND				
PART NO E	VARIATION	DESCRIPTION	VOLTAGE	SLAVE FOR EXPANSION
TJU16-EA	RH11-AB & TU16-EA	PE/NR 2 I	115V/50HZ	TU16-EE
TJU16-EB	RH11-AB & TU16-EB	PE/NR 2 I	230V/60HZ	TU16-EF
TJU16-EC	RH11-AB & TU16-EC	PE/NR 2 I	115V/50HZ	TU16-EH
TJU16-ED	RH11-AB & TU16-ED	PE/NR 2 I	230V/50HZ	TU16-EJ
TJU16-EK	RH11-AB & TU16-EK	NR 2 I	115V/60HZ	TU16-EE
TJU16-EL	RH11-AB & TU16-EL	NR 2 I	230V/60HZ	TU16-EF
TJU16-EM	RH11-AB & TU16-EM	NR 2 I	115V/50HZ	TU16-EH
TJU16-EN	RH11-AB & TU16-EN	NR 2 I	230V/50HZ	TU16-EJ



- NOTES:
- FOR CABLE ROUTING SEE DWG #D-BS-TM02-0-2 & D-BS-TU16-0-2.
 - EXAMPLE OF TERMINOLOGY: TRANSPORT MARKED WITH AN ASTERISK IS UNIT "0", SLAVE "E". UNIT REFERS TO THE TM02, SLAVE REFERS TO THE TRANSPORT I.E., TU16-EE, EF, EH, EJ.
 - ITEM #10 USED FOR MTG RH11 IN THE EXPANDER BOX

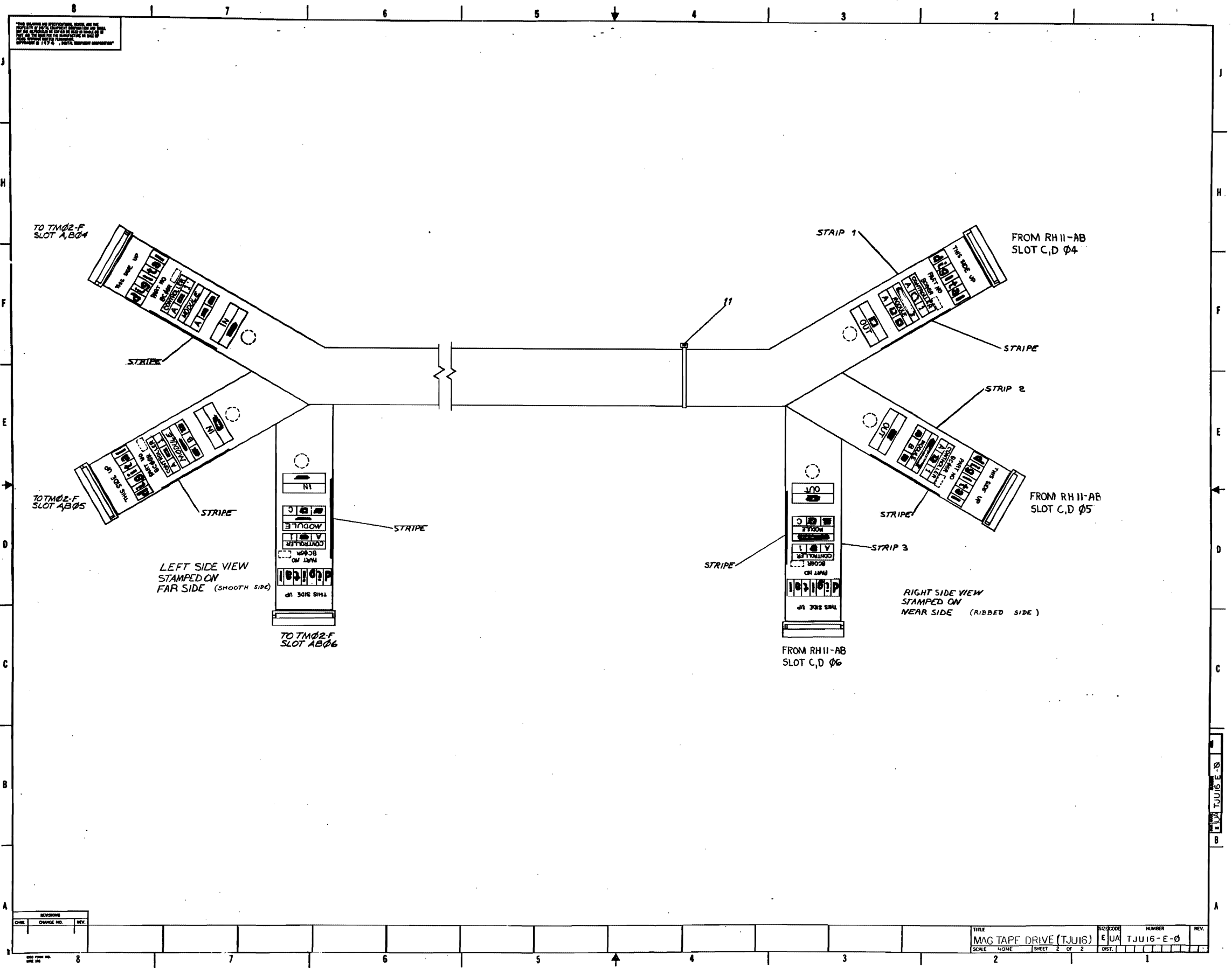


OFF SHEET PARTS LIST EXISTS SEE A-PL-TJU16-E-0

REV.	CHANGE	DESCRIPTION	DATE	BY	CHKD.	DATE	BY
1							

FIRST USED ON OPTION/MODEL		QTY.	DESCRIPTION	PART NO.	ITEM NO.
TJU16-E					
DIMENSIONAL TOLERANCE		PARTS LIST			
DIMENSIONS ARE IN MILLIMETERS UNLESS OTHERWISE SPECIFIED		digital			
TITLE		MAG TAPE DRIVE (TJU16)			
MATERIAL		B-00-TJU16-E			
FINISH		SCALE 1 OF 2			
SHEET		1 OF 2			
REV.		EUA TJU16-E-0			

8 7 6 5 4 3 2 1



THIS DRAWING AND SPECIFICATIONS, NOTES, AND THE
 WORK SHALL BE THE PROPERTY OF THE GOVERNMENT AND
 SHALL BE LOANED TO YOU BY THE GOVERNMENT. IT IS
 TO BE USED FOR THE PURPOSES FOR WHICH IT WAS
 DEVELOPED. IT IS TO BE RETURNED TO THE GOVERNMENT
 AT THE END OF THE PROJECT OR AT THE END OF
 THE SERVICE LIFE OF THE PROJECT.

REV.	CHANGE NO.	DESCRIPTION

TITLE	MAG TAPE DRIVE (TJU16)	SIZE CODE	EUA	NUMBER	TJU16-E-0	REV.	
SCALE	NONE	SHEET	2 OF 2	DIST.			

TJU16-E-0

