

pdp11

LC11 *E4-1*  
DECwriter system  
engineering drawings

digital

LC11 *E4-1*  
DECwriter system  
engineering drawings

## LC11 ENGINEERING DRAWINGS

Drawing Number	Title
A-ML-LC11-0	LA30 Interface – Master List
D-IA-7008417-0-0	LA30 to PDP-11 Interface Cable
A-PL-LC11-0-0	LA30 Interface – Parts List
D-CS-M7910-0-1	LC11 Interface

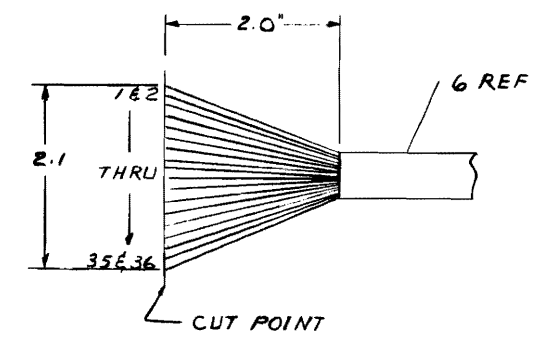


WIRE TABLE					
ITEM NO.	AWG	COLOR	FROM CONNECTION	TO CONNECTION	CUT POINT
6	22	GRN	P1-E	P2-25	1
	TWP	WHT	P1-F	P2-17	2
		BLK	P1-H	P2-23	3
		BLU	P1-J	P2-16	4
		BLU	P1-K	P2-26	5
		RED	P1-L	P2-22	6
		GRN	P1-M	P2-24	7
		YEL	P1-N	P2-5	8
		BRN	P1-P	P2-4	9
		RED	P1-R	P2-18	10
		ORN	P1-S	P2-23	11
		WHT	P1-T	P2-15	12
		RED	P1-U	P2-25	13
		ORN	P1-V	P2-20	14
		BLK	P1-W	P2-3	15
		ORN	P1-X	P2-13	16
	22	YEL	P1-Y	P2-2	17
6	TWP	BLU	P1-Z	P2-7	18

WIRE TABLE					
ITEM NO.	AWG	COLOR	FROM CONNECTION	TO CONNECTION	CUT POINT
6	22	BLK	P1-AA	P2-3	19
	TWP	BRN	P1-BB	P2-10	20
		ORN	P1-CC	P2-1	21
		YEL	P1-DD	P2-6	22
		BLK	P1-EE	P2-4	23
		GRY	P1-FF	P2-9	24
		BLK	P1-GG	P2-4	25
		GRN	P1-JJ	P2-12	26
		BRN	P1-KK	P2-24	27
		WHT	P1-LL	P2-11	28
		GRY	P1-MM	P2-23	29
		RED	P1-NN	P2-14	30
		GRY	P1-PP	P2-2	31
		WHT	P1-RR	P2-8	32
		GRN	P1-SS	P2-1	33
		RED	P1-TT	P2-19	34
	22	WHT	P1-UU	P2-26	35
6	TWP	BLU	P1-VV	P2-21	36

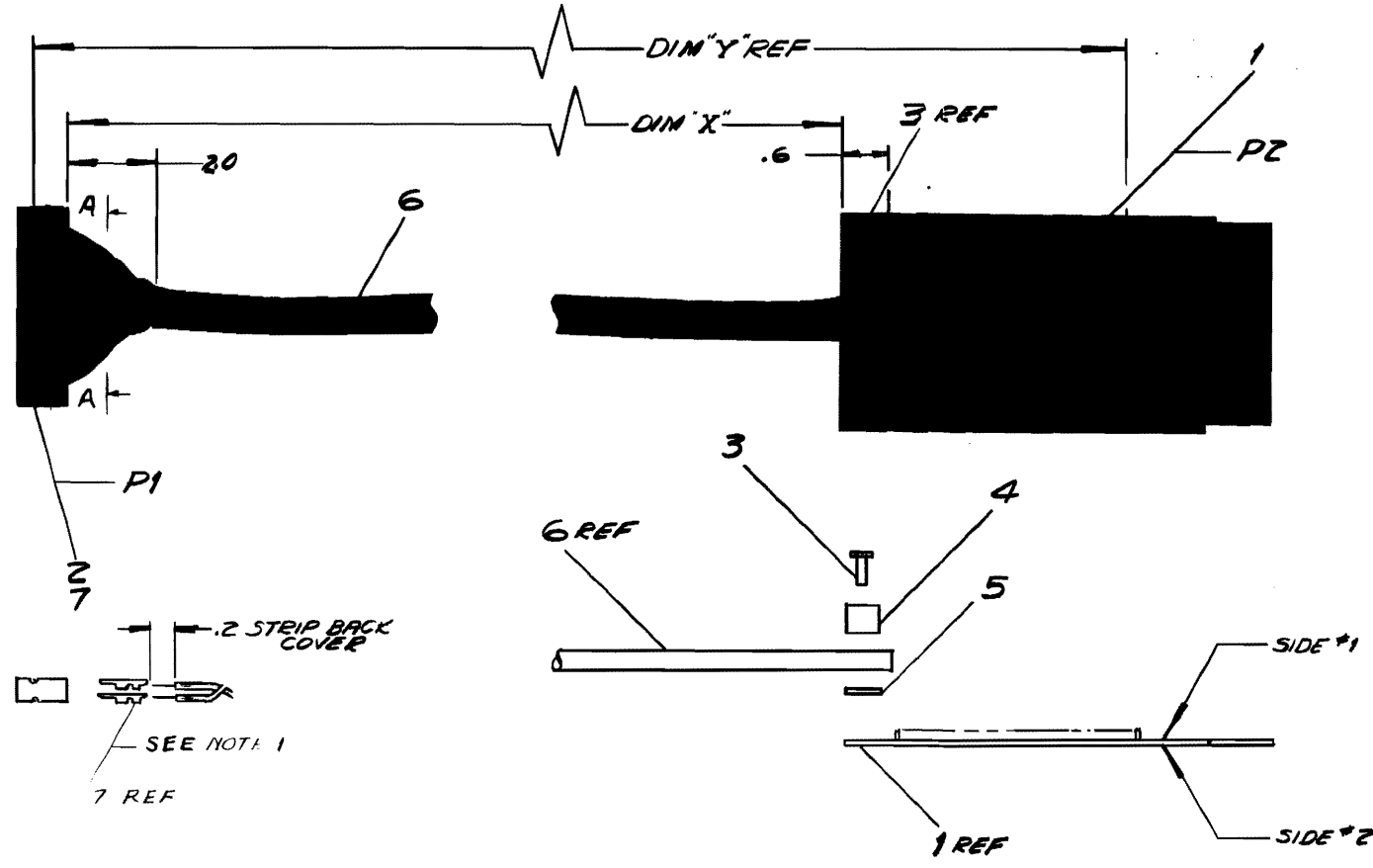
LEGEND		
NUMBER	DIM 'X' VARIATION	DIM 'Y' (PRECUT) REF
7008417-25	25' ± 3"	25' 7"

- NOTES:
- BERG #HT66-TOOL FOR CRIMPING PINS.
  - MANUFACTURING SHOULD USE MACHINE CRIMPER
  - FOR INFORMATION ON BERG PINS REFER TO SPEC #12-10089-0-0.



NOT USED	NOT USED
A	B
C	D
E	F
H	J
K	L
M	N
P	R
S	T
U	V
W	X
Y	Z
AA	BB
CC	DD
EE	FF
HH	JJ
KK	LL
MM	NN
PP	RR
SS	TT
UU	VV
NOT USED	NOT USED

VIEW A-A  
SCALE: NONE



QTY.	DESCRIPTION	PART NO.	ITEM NO.
36	CRIMP SOCKET BERG 47784	1210089-5	7
1	CABLE 36 COND.	9107700	6
1	TAPE #32 1/2 W. 3M CO.	9007834	5
1	CLAMP CABLE	1202790	4
2	EYELET A-94 STIMP	9006741	3
1	HOUSING #20383 BERG	1210090-0	2
1	MODULE BD. M904	M904	1

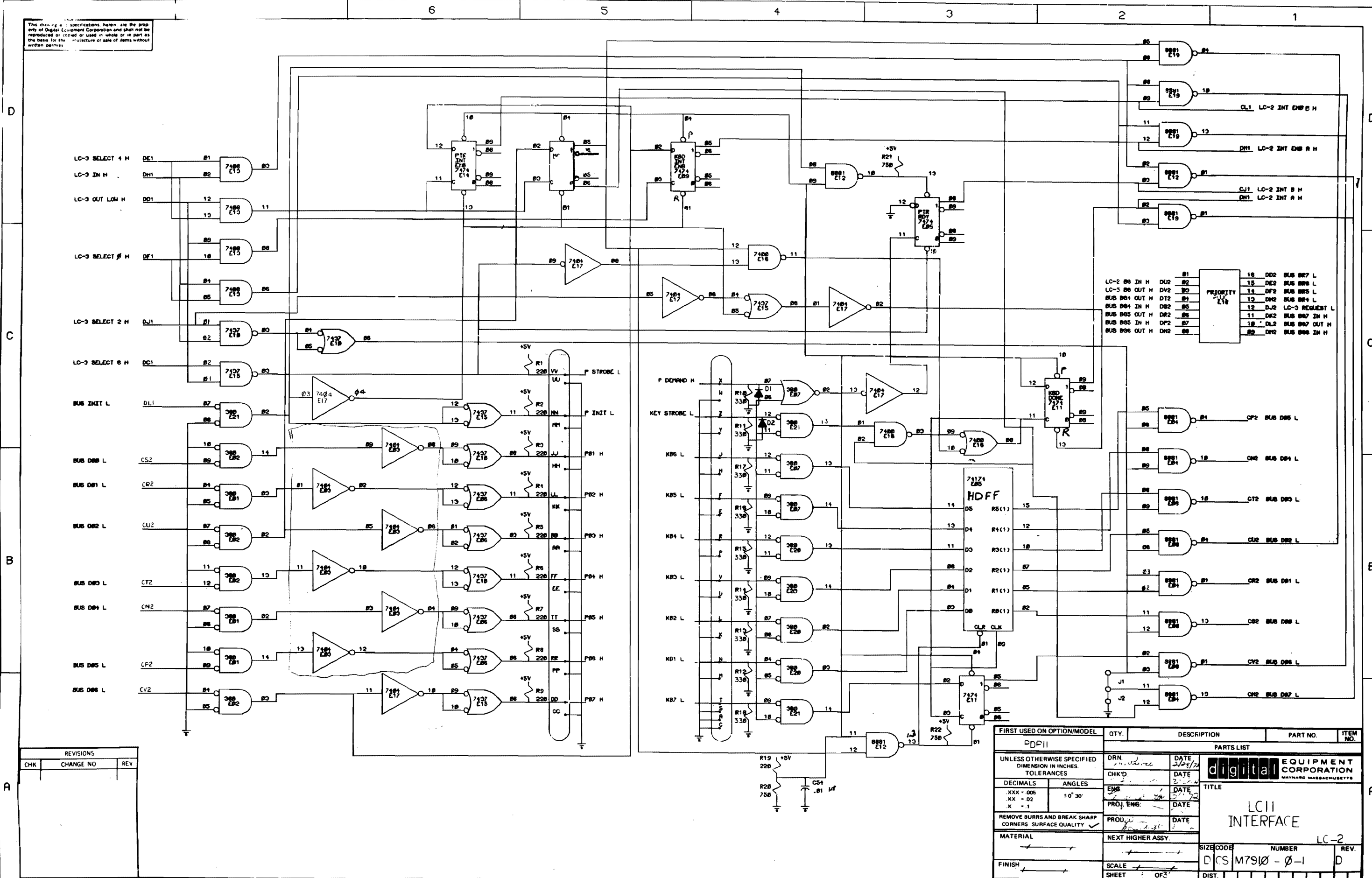
FIRST USED ON OPTION/MODEL		LC11	
UNLESS OTHERWISE SPECIFIED DIMENSION IN INCHES. TOLERANCES		PARTS LIST	
DECIMALS	ANGLES	DRN	DATE
.xxx = .005	±0° 30'	CHK	DATE
.xx = .02		ENG	DATE
.x = .1		PROJ. ENG.	DATE
REMOVE BURRS AND BREAK SHARP CORNERS SURFACE QUALITY		PRG	DATE
MATERIAL	NEXT HIGHER ASSY.	TITLE	
FINISH		INTERFACE CABLE (LC11)	
		SIZE CODE	NUMBER
		DIA	7008417-0-0
		SCALE	REV. A
		SHEET	1 OF 1

REV	CHANGE NO.	DATE	BY
1	LC11-0001	7-14-71	BEATY
2			BEATY





The drawing and specifications herein are the property of Digital Equipment Corporation and shall not be reproduced or copied or used in whole or in part as the basis for the manufacture or sale of items without written permission.



REVISIONS		
CHK	CHANGE NO	REV

FIRST USED ON OPTION/MODEL	QTY.	DESCRIPTION	PART NO.	ITEM NO.
PDF11				
UNLESS OTHERWISE SPECIFIED DIMENSION IN INCHES. TOLERANCES				
DECIMALS	ANGLES	PARTS LIST		
.XXX = .005	± 0° 30'	DRN	DATE	
.XX = .02		CHK'D	DATE	
.X = .1		ENG	DATE	
REMOVE BURRS AND BREAK SHARP CORNERS SURFACE QUALITY		PROJ. ENG.	DATE	
MATERIAL		PROD.	DATE	
FINISH		TITLE		
NEXT HIGHER ASSY.		LC11 INTERFACE		
SCALE		SIZE CODE	NUMBER	REV.
SHEET OF 3		DCS	M7910 - 0-1	D

