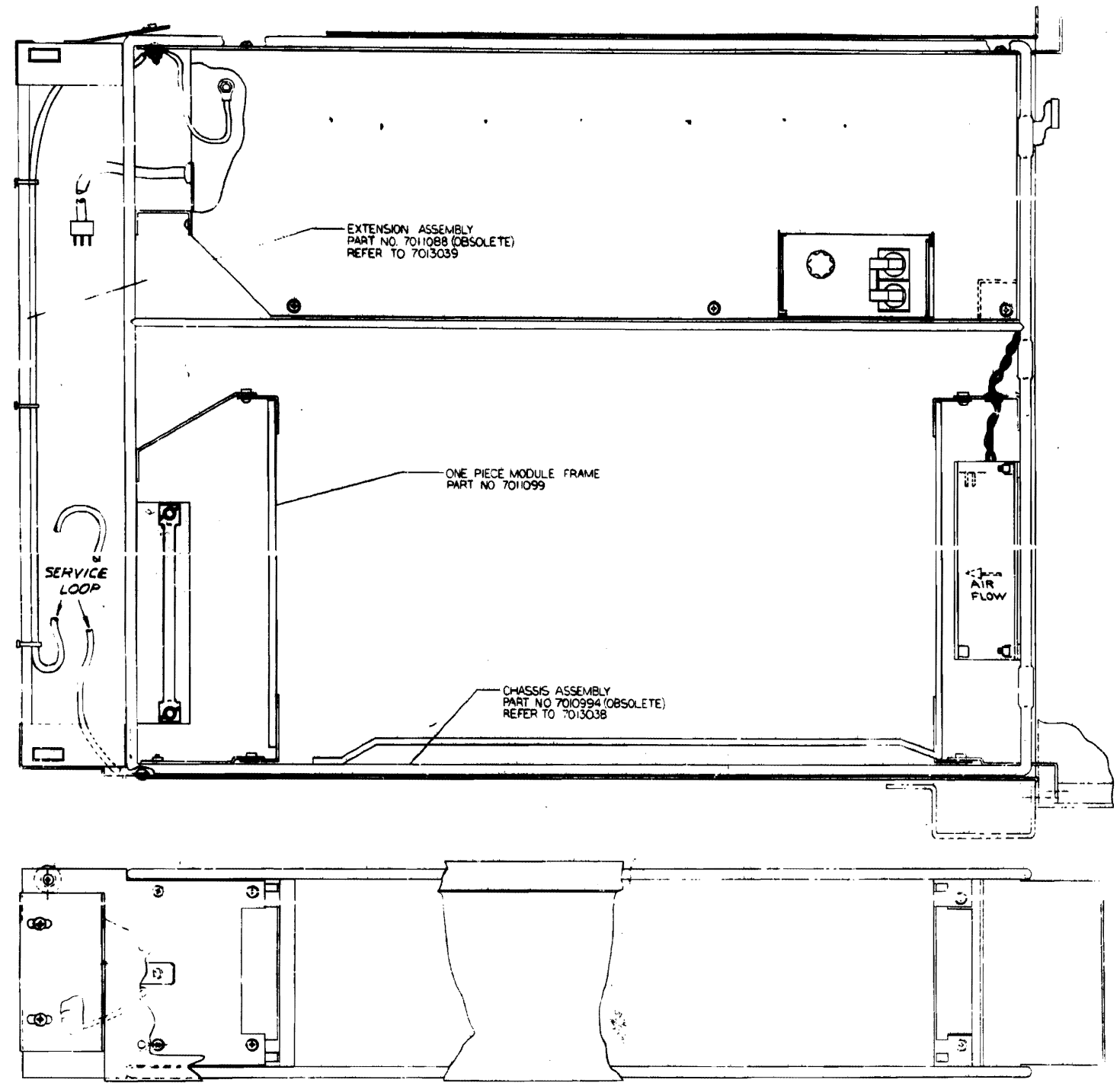






701099-1

NOTES (CONT FROM SHEET 1)



1. ITEM NUMBER 59 IS A STIFFENING BRACKET AND MAY BE LEFT IN OR REMOVED AT FINAL DESTINATION AT USERS OPTION. IF LEFT IN IT WILL NOT INHIBIT ANY USER FUNCTIONS. IT IS TO BE PLACED OVER THE THREADED LEGS IN FRAME BRACKETS IDENTIFIED AS SHOWN AND FASTENED BY MEANS OF AN OVER SIZED WASHER AND NUT.
2. ITEM #56 AND THE AC POWER CORD ARE TO BE SHIPPED LOOSE PIECE, AND INSTALLED AT SITE LOCATION.
3. ITEM #68 NOT SHOWN, IT IS USED IN SHIPPING ONLY.
4. TORQUE ITEM 59 ASSEMBLY HARDWARE TO 24 IN LBS 4 PLACES.

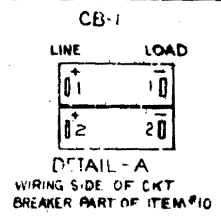
THIS VIEW IS FOR REF ONLY AND CONTAINS INFORMATION PERTINENT TO ASSEMBLY REVISIONS - THREE

QUANTITY & VARIATION	DESCRIPTION	REVISION	DATE
1	CHASSIS ASSEMBLY	1/70	
1	BOX 5.25 BAH-L (230V/115V)		
1	BAH-L		

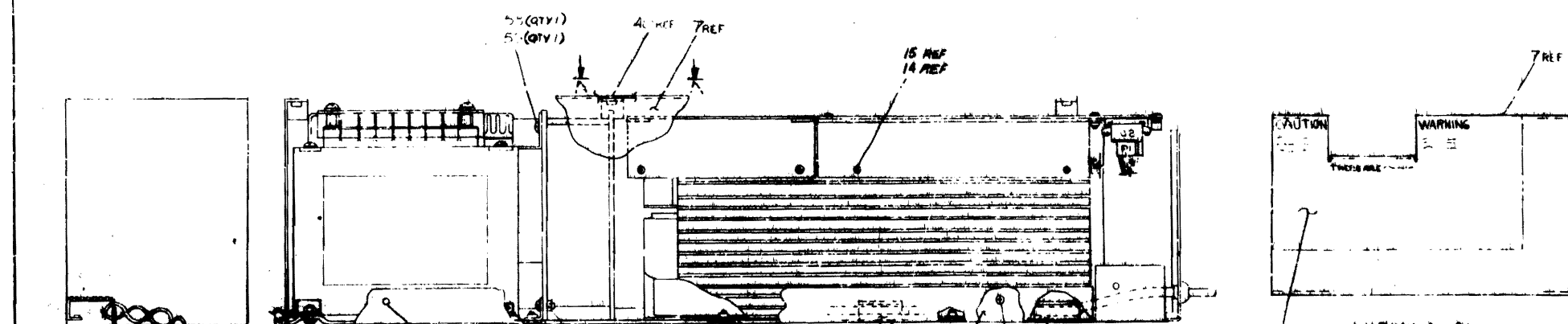
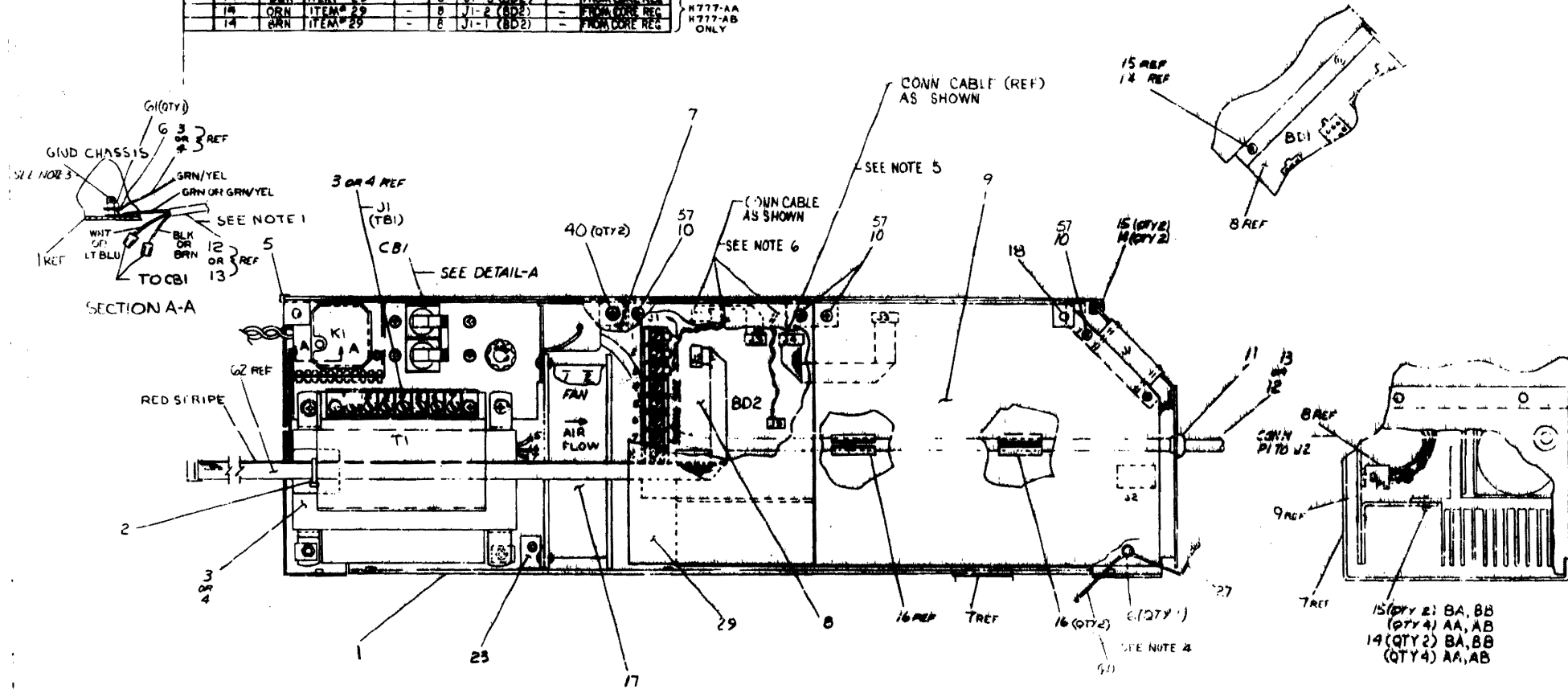




WIRE TABLE										LEGEND	
ITEM NO	DESCRIPTION	FROM	TO	REMARKS	PART NO	VARIATION					
12	14	BLK	---	---	H777-BA	PS. ASS ONLY USV					
0A	14	WHP	---	---	H777-BB	PS. ASS ONLY USV					
13	14	GRN	---	---	H777-AB	PS. CORE/MOS USV					
4	14	BLU	TI-5	---	H777-AB	PS. CORE/MOS 250V					
0A	7A	BLU/BLK	TI-6	---							
3	7A	BLU	TI-7	---							
0A	18	GRY	---	---							
4	7A	BLK	---	---							
3	18	WHT	---	---							
0A	7A	BLK	---	---							
30A	14	GRN/YEL	EMI-3 (REF)	---							
14	14	GRN/YEL	GND CHASSIS	---							
27	14	GRN/YEL	GND CHASSIS	---							
14	14	BLK	ITEM 29	---							
14	14	ORN	ITEM 29	---							
14	14	GRN	ITEM 29	---							



- NOTES:
1. MAKE SINK SERVICE LOOP AT HOOKUP END.
  2. APPLY SELF STICK INS SHEET (ITEM 24) TO UNDER SIDE OF POWER SUPPLY COVER IN AREA OF HEAT SINKS (CORE & MOS REGS).
  3. APPLY SELF STICK ITEM 26 BESIDE THIS GND STUD.
  4. ITEM 10 IS A GND CABLE TO GND THE FRONT PANEL CASTINGS FOR MOS AND CORE REGULATORS.
  5. CABLE PART OF ITEM #9.
  6. CABLE # WIRES ARE PART OF ITEM # 29



CAUTION:  
UNIT ASSEMBLY FOR OPTIONS  
AA, AB, BA, AND BB ONLY

SEE SHEET 2 FOR OPTIONS  
CA, CB, DA, AND DB

1	2	3	4	5	6	7	8	9	10	11	12	13	14	15	16	17	18	19	20	21	22	23	24	25	26	27	28	29	30	31	32	33	34	35	36	37	38	39	40	41	42	43	44	45	46	47	48	49	50	51	52	53	54	55	56	57	58	59	60	61	62	63	64	65	66	67	68	69	70	71	72	73	74	75	76	77	78	79	80	81	82	83	84	85	86	87	88	89	90	91	92	93	94	95	96	97	98	99	100
---	---	---	---	---	---	---	---	---	----	----	----	----	----	----	----	----	----	----	----	----	----	----	----	----	----	----	----	----	----	----	----	----	----	----	----	----	----	----	----	----	----	----	----	----	----	----	----	----	----	----	----	----	----	----	----	----	----	----	----	----	----	----	----	----	----	----	----	----	----	----	----	----	----	----	----	----	----	----	----	----	----	----	----	----	----	----	----	----	----	----	----	----	----	----	----	----	----	----	-----

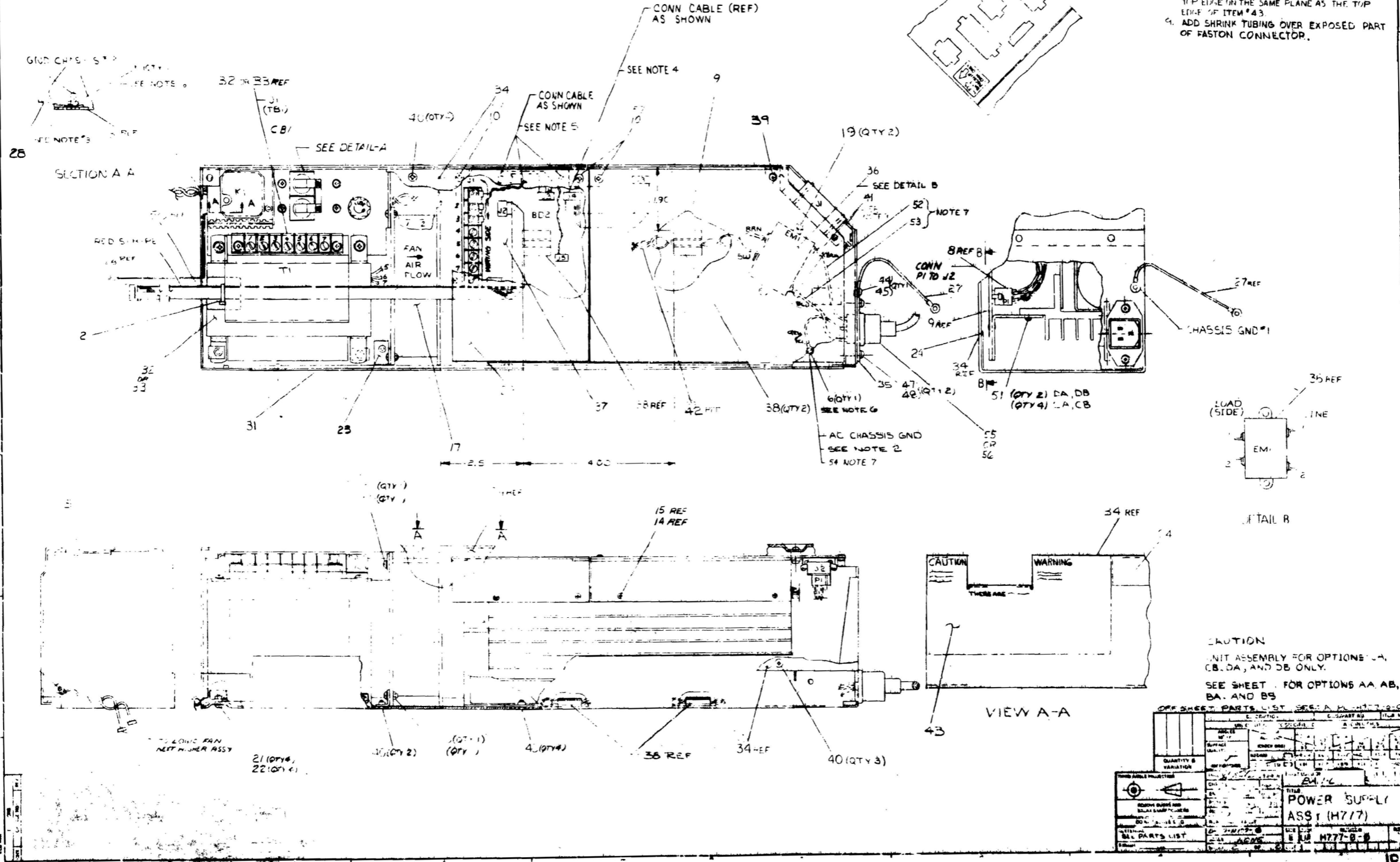
SEE NPI-H777-D FOR PARTS LIST

POWER SUPPLY  
ASSY (H777)

H777-B-1

WIRE TABLE										LEGEND	
ITEM NO	DESCRIPTION	COLOR	CONNECTION	TO	REMARKS	PART NO	VARIATION				
1	LINE	BLK	11-1	11-1	AC LINE	H777-DB	PS. CONTINUOUS 250V				
2	LOAD	BLK	11-2	11-2	AC LINE	H777-DB	PS. CONTINUOUS 250V				
3	LINE	BLK	11-3	11-3	AC LINE	H777-DB	PS. CONTINUOUS 250V				
4	LINE	BLK	11-4	11-4	AC LINE	H777-DB	PS. CONTINUOUS 250V				
5	LINE	BLK	11-5	11-5	AC LINE	H777-DB	PS. CONTINUOUS 250V				
6	LINE	BLK	11-6	11-6	AC LINE	H777-DB	PS. CONTINUOUS 250V				
7	LINE	BLK	11-7	11-7	AC LINE	H777-DB	PS. CONTINUOUS 250V				
8	LINE	BLK	11-8	11-8	AC LINE	H777-DB	PS. CONTINUOUS 250V				
9	LINE	BLK	11-9	11-9	AC LINE	H777-DB	PS. CONTINUOUS 250V				
10	LINE	BLK	11-10	11-10	AC LINE	H777-DB	PS. CONTINUOUS 250V				
11	LINE	BLK	11-11	11-11	AC LINE	H777-DB	PS. CONTINUOUS 250V				
12	LINE	BLK	11-12	11-12	AC LINE	H777-DB	PS. CONTINUOUS 250V				
13	LINE	BLK	11-13	11-13	AC LINE	H777-DB	PS. CONTINUOUS 250V				
14	LINE	BLK	11-14	11-14	AC LINE	H777-DB	PS. CONTINUOUS 250V				
15	LINE	BLK	11-15	11-15	AC LINE	H777-DB	PS. CONTINUOUS 250V				
16	LINE	BLK	11-16	11-16	AC LINE	H777-DB	PS. CONTINUOUS 250V				
17	LINE	BLK	11-17	11-17	AC LINE	H777-DB	PS. CONTINUOUS 250V				
18	LINE	BLK	11-18	11-18	AC LINE	H777-DB	PS. CONTINUOUS 250V				
19	LINE	BLK	11-19	11-19	AC LINE	H777-DB	PS. CONTINUOUS 250V				
20	LINE	BLK	11-20	11-20	AC LINE	H777-DB	PS. CONTINUOUS 250V				
21	LINE	BLK	11-21	11-21	AC LINE	H777-DB	PS. CONTINUOUS 250V				
22	LINE	BLK	11-22	11-22	AC LINE	H777-DB	PS. CONTINUOUS 250V				
23	LINE	BLK	11-23	11-23	AC LINE	H777-DB	PS. CONTINUOUS 250V				
24	LINE	BLK	11-24	11-24	AC LINE	H777-DB	PS. CONTINUOUS 250V				
25	LINE	BLK	11-25	11-25	AC LINE	H777-DB	PS. CONTINUOUS 250V				
26	LINE	BLK	11-26	11-26	AC LINE	H777-DB	PS. CONTINUOUS 250V				
27	LINE	BLK	11-27	11-27	AC LINE	H777-DB	PS. CONTINUOUS 250V				
28	LINE	BLK	11-28	11-28	AC LINE	H777-DB	PS. CONTINUOUS 250V				
29	LINE	BLK	11-29	11-29	AC LINE	H777-DB	PS. CONTINUOUS 250V				
30	LINE	BLK	11-30	11-30	AC LINE	H777-DB	PS. CONTINUOUS 250V				
31	LINE	BLK	11-31	11-31	AC LINE	H777-DB	PS. CONTINUOUS 250V				
32	LINE	BLK	11-32	11-32	AC LINE	H777-DB	PS. CONTINUOUS 250V				
33	LINE	BLK	11-33	11-33	AC LINE	H777-DB	PS. CONTINUOUS 250V				
34	LINE	BLK	11-34	11-34	AC LINE	H777-DB	PS. CONTINUOUS 250V				
35	LINE	BLK	11-35	11-35	AC LINE	H777-DB	PS. CONTINUOUS 250V				
36	LINE	BLK	11-36	11-36	AC LINE	H777-DB	PS. CONTINUOUS 250V				
37	LINE	BLK	11-37	11-37	AC LINE	H777-DB	PS. CONTINUOUS 250V				
38	LINE	BLK	11-38	11-38	AC LINE	H777-DB	PS. CONTINUOUS 250V				
39	LINE	BLK	11-39	11-39	AC LINE	H777-DB	PS. CONTINUOUS 250V				
40	LINE	BLK	11-40	11-40	AC LINE	H777-DB	PS. CONTINUOUS 250V				
41	LINE	BLK	11-41	11-41	AC LINE	H777-DB	PS. CONTINUOUS 250V				
42	LINE	BLK	11-42	11-42	AC LINE	H777-DB	PS. CONTINUOUS 250V				
43	LINE	BLK	11-43	11-43	AC LINE	H777-DB	PS. CONTINUOUS 250V				
44	LINE	BLK	11-44	11-44	AC LINE	H777-DB	PS. CONTINUOUS 250V				
45	LINE	BLK	11-45	11-45	AC LINE	H777-DB	PS. CONTINUOUS 250V				
46	LINE	BLK	11-46	11-46	AC LINE	H777-DB	PS. CONTINUOUS 250V				
47	LINE	BLK	11-47	11-47	AC LINE	H777-DB	PS. CONTINUOUS 250V				
48	LINE	BLK	11-48	11-48	AC LINE	H777-DB	PS. CONTINUOUS 250V				
49	LINE	BLK	11-49	11-49	AC LINE	H777-DB	PS. CONTINUOUS 250V				
50	LINE	BLK	11-50	11-50	AC LINE	H777-DB	PS. CONTINUOUS 250V				
51	LINE	BLK	11-51	11-51	AC LINE	H777-DB	PS. CONTINUOUS 250V				
52	LINE	BLK	11-52	11-52	AC LINE	H777-DB	PS. CONTINUOUS 250V				
53	LINE	BLK	11-53	11-53	AC LINE	H777-DB	PS. CONTINUOUS 250V				
54	LINE	BLK	11-54	11-54	AC LINE	H777-DB	PS. CONTINUOUS 250V				

- NOTES
- 1 APPLY SELF STICK WS SHEET (115424) TO UNDER SIDE OF POWER SUPPLY COVER IN AREA OF HEAT SINKS (CORE & MOS REGS).
  - 2 APPLY SELF STICK ITEM 26 BESIDE THIS GND STUD.
  - 3 ITEM 28 IS A GND CABLE TO GND THE FRONT PANEL CASTINGS FOR MOS AND CORE REGULATORS.
  - 4 CABLE PART OF ITEM #9
  - 5 CABLE & WIRES ARE PART OF ITEM #29
  - 6 ITEM #6 (METRIC NUT M4) CAN BE USED AS A REPLACEMENT IN FIELD IF NECESSARY.
  - 7 INSTALL ITEM #41 OVER SOLDER ENDS PRIOR TO SOLDERING
  - 8 POSITION ITEM #64 PARALLEL WITH AND THE TOP EDGE IN THE SAME PLANE AS THE TOP EDGE OF ITEM #43.
  - 9 ADD SHRINK TUBING OVER EXPOSED PART OF FASTON CONNECTOR.



CAUTION  
UNIT ASSEMBLY FOR OPTIONS LA, CB, DA, AND DB ONLY.  
SEE SHEET FOR OPTIONS AA, AB, BA, AND BS

ITEM NO	DESCRIPTION	QTY	UNIT	REMARKS
1	LINE	1		
2	LOAD	1		
3	LINE	1		
4	LINE	1		
5	LINE	1		
6	LINE	1		
7	LINE	1		
8	LINE	1		
9	LINE	1		
10	LINE	1		
11	LINE	1		
12	LINE	1		
13	LINE	1		
14	LINE	1		
15	LINE	1		
16	LINE	1		
17	LINE	1		
18	LINE	1		
19	LINE	2		
20	LINE	1		
21	LINE	4		
22	LINE	4		
23	LINE	1		
24	LINE	1		
25	LINE	1		
26	LINE	1		
27	LINE	1		
28	LINE	1		
29	LINE	1		
30	LINE	1		
31	LINE	1		
32	LINE	1		
33	LINE	1		
34	LINE	1		
35	LINE	1		
36	LINE	1		
37	LINE	1		
38	LINE	2		
39	LINE	1		
40	LINE	3		
41	LINE	1		
42	LINE	1		
43	LINE	1		
44	LINE	1		
45	LINE	1		
46	LINE	1		
47	LINE	2		
48	LINE	2		
49	LINE	1		
50	LINE	1		
51	LINE	2		
52	LINE	1		
53	LINE	1		
54	LINE	1		

POWER SUPPLY ASSY (H777)

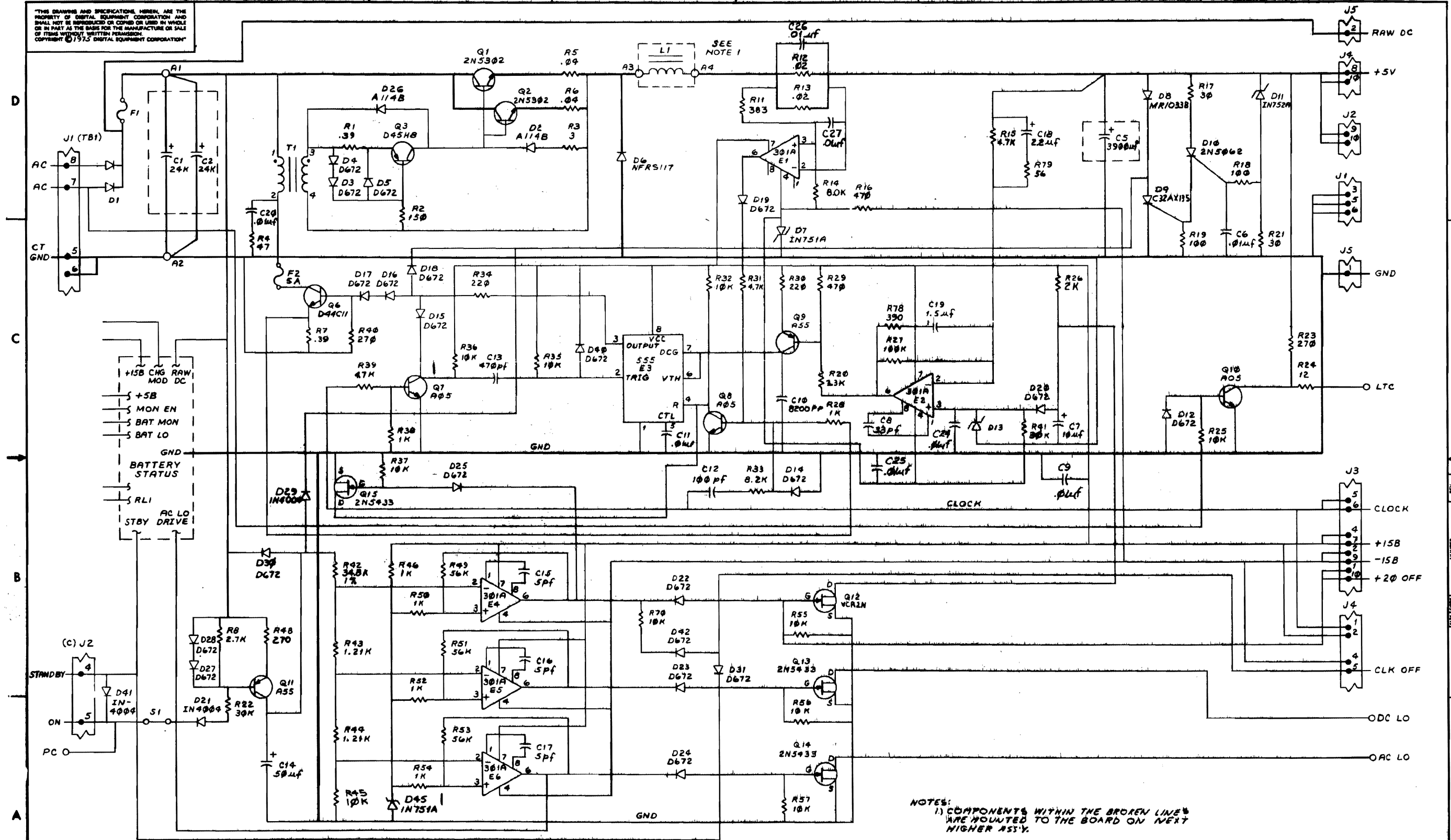








THIS DRAWING AND SPECIFICATIONS HEREIN ARE THE PROPERTY OF DIGITAL EQUIPMENT CORPORATION AND SHALL NOT BE REPRODUCED OR COPIED OR USED IN WHOLE OR IN PART AS THE BASIS FOR THE MANUFACTURE OR SALE OF ITEMS WITHOUT WRITTEN PERMISSION. COPYRIGHT © 1975 DIGITAL EQUIPMENT CORPORATION

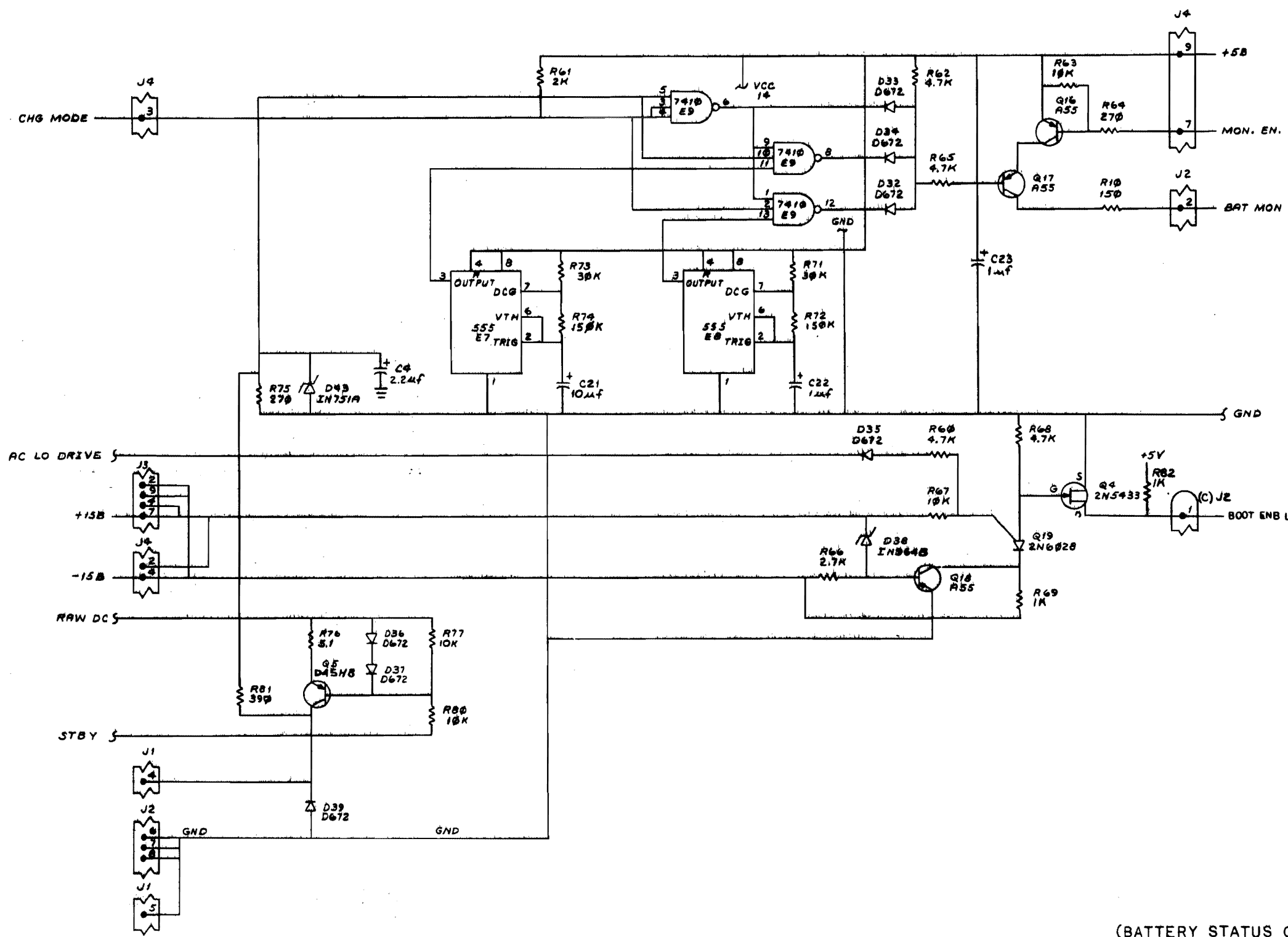


NOTES:  
1) COMPONENTS WITHIN THE BROKEN LINE'S ARE MOUNTED TO THE BOARD ON NEXT HIGHER ASSY.

REVISIONS		
CHK	CHANGE NO.	REV.

TITLE	H777 +5V REGULATOR	SIZE/DATE	DCS 5411597-0-1	NUMBER	L	REV.	
SCALE		SHEET	3 OF 4	DIST.			

THIS DRAWING AND SPECIFICATIONS HEREON ARE THE PROPERTY OF DIGITAL EQUIPMENT CORPORATION AND SHALL NOT BE REPRODUCED OR COPIED OR USED IN WHOLE OR IN PART AS THE BASIS FOR THE MANUFACTURE OR SALE OF ITEMS WITHOUT WRITTEN PERMISSION. COPYRIGHT © 1975 DIGITAL EQUIPMENT CORPORATION



(BATTERY STATUS CRKT'S)

REVISIONS		
CHK	CHANGE NO.	REV.

TITLE	H777 +5V REGULATOR	SIZE/CODE	DCS	NUMBER	5411597-0-1	REV.	L
SCALE		SHEET	4 OF 4	DIST.			

DCS 5411597-0-1 L

THE DRAWING AND SPECIFICATIONS HEREIN ARE THE PROPERTY OF THE UNITED STATES GOVERNMENT AND SHALL NOT BE REPRODUCED OR TRANSMITTED IN ANY FORM OR BY ANY MEANS, ELECTRONIC OR MECHANICAL, INCLUDING PHOTOCOPYING, RECORDING, OR BY ANY INFORMATION STORAGE AND RETRIEVAL SYSTEM, WITHOUT PERMISSION IN WRITING FROM THE UNITED STATES GOVERNMENT.

**LEGEND**

PART NO	VARIATION
701075-0	120 V
701075-1	230V

**WIRE CHART**

ITEM NO	AVG	DESCR	FROM	TO	REMARKS	ITEM NO	AVG	DESCR	FROM	TO	REMARKS						
22	18	WHT	K1-4	SQBSI	*T82-4 S	SOLD	5 1/2'L	14	BLK	T1	T82-1H						
23	18	BLK	K1-6		*T82-15	SOLD	6'L	14	BRN		T82-3H						
24	18	BRN	K1-7		T82-5H	25,43	6 1/2'L	14	RED		T82-2H						
26	18	BLU	K1-9		T82-6H	25,43	7 1/2'L	14	WHT	T1	T82-4H						
27	18	GRY	K1-2			25		23	18	BLK	G3	SOLD	FI-2	SOLD	4'L		
26	18	BLK	K1-8	SQBSI		25		34	14	BRN	EMI-3	SQBSI		42	8'L		
26	18	BLK	G2	SOLD	*T82-6S	SOLD	6'L	35	18	BLK	T82-1H		T82-2H		120V	701075-0	120V
23	18	BLK	FI-1	SQBSI	*T82-15	SOLD	6'L	35	18	WHT	T82-3H		T82-4H		120V	701075-0	120V
15	18	BLU	EMI-2 LOAD		*T82-4S	SOLD	6'L	35	18	BLK	T82-2H		T82-3H		250V	701075-1	230V
22	18	WHT	EMI-1 LOAD		*T82-6S	SOLD	6'L	13	22	BARE	RI-A		G3	SOLD	33		
28	18	WHT	EMI-2	SQBSI	CBI-2 LOAD	28,41	5'L	13	22	BARE	RI-B		G2	SQBSI			
28	18	BLK	EMI-1	SQBSI	CBI-1 LOAD	28,41	5'L										
45	18	WHT	*T82-6S	SOLD	J2-1	30,32	6 1/2'L										
45	18	WHT	*T82-2S	SOLD	J2-2	30,32	6 1/2'L										
45	18	WHT	*T82-6S	SOLD	J8-1	30,32	16 1/2'L										
45	18	WHT	*T82-2S	SOLD	J8-2	30,32	16 1/2'L										

SEE NOTE 2

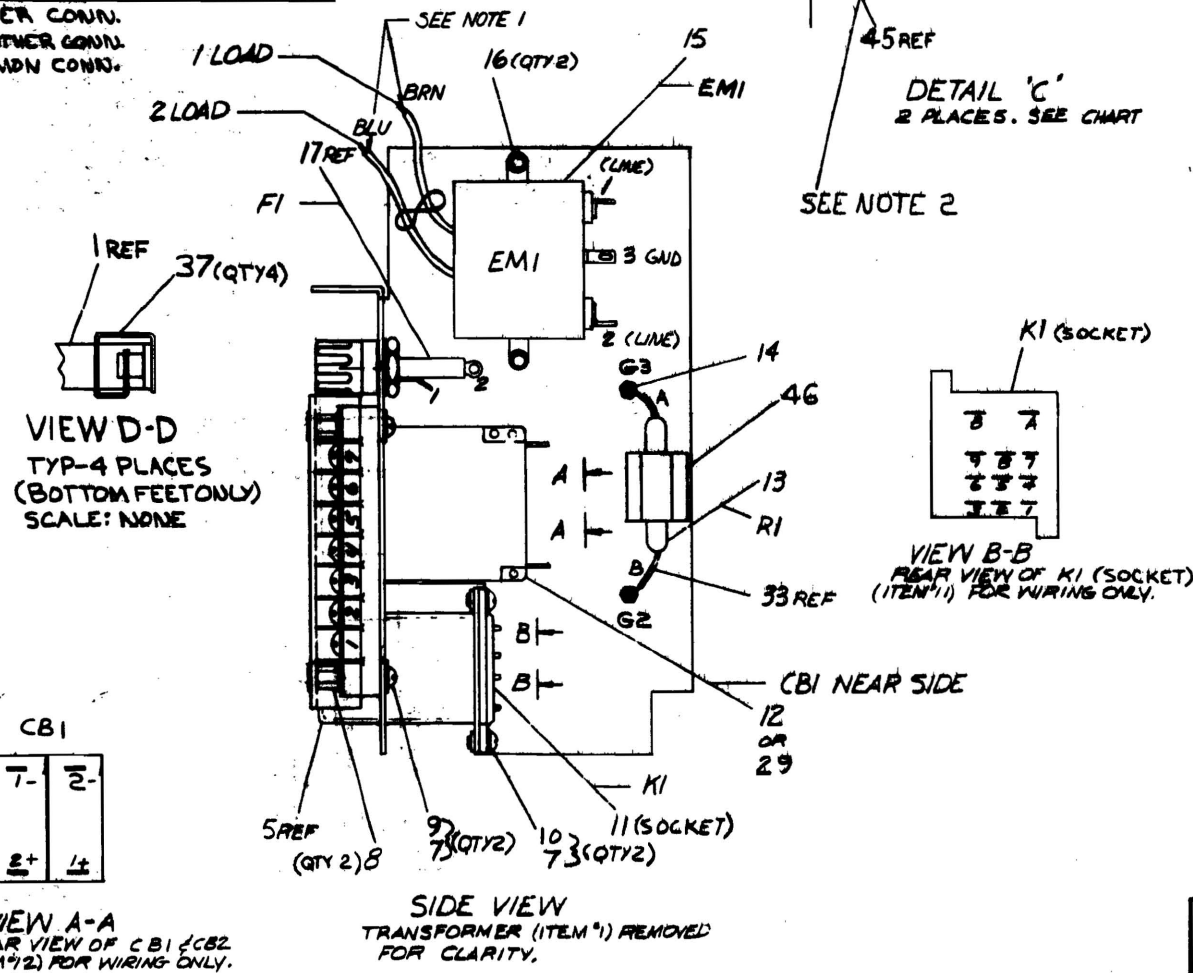
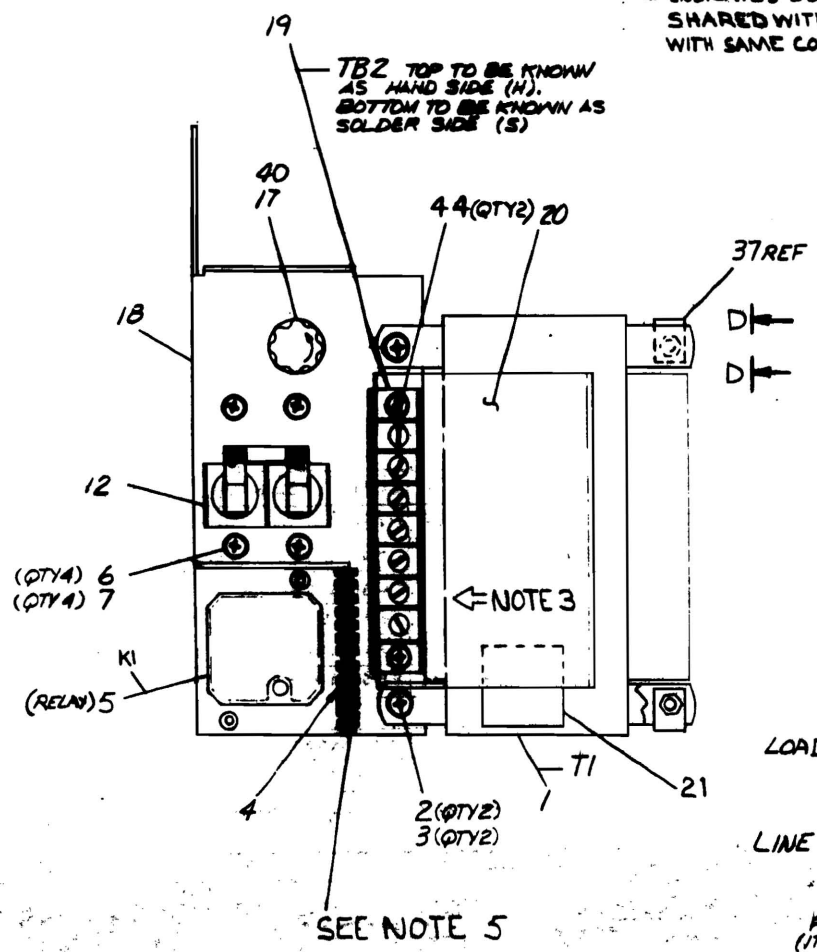
SEE NOTE 1/2

SEE NOTE 2  
SEE DETAIL 'C'

\* INDICATES SOLDER CONN. SHARED WITH OTHER CONN. WITH SAME COMMON CONN.

**NOTES:**

1. SECOND SOURCE FOR ITEM 15 (LINE FILTER) WILL HAVE WHT & BLK LEADS. SUBSTITUTE WHT FOR BLU AND BLK FOR BRN.
2. TWISTED PAIR WIRE TO HAVE A MIN OF 4 TWIST PER INCH AS PER WIRE CHART.
3. ALL CONNECTIONS TO T82 ARE TO BE MADE FROM SIDE INDICATED BY ARROW.
4. USE TIE WRAPS (ITEM 38) AS NEEDED.
5. T1 PRIMARY WIRES TO T82 MUST BE ROUTED BY ITEM 4
6. COVER ITEM 28 WITH ITEM 41 TO COVER EXPOSED PART OF TERMINAL.



CONT. ON SHEET 2 of 2

QTY	DESCRIPTION	PART NO.	ITEM NO.
1	JUMPER ASSY (WHT 2")	B-A-701798-0-0	36
1	JUMPER ASSY (BLK 2")	B-A-701797-0-0	35
1	WIRE TIE WRAP (BRN/YEL)	910777-54	34
1	TUBING INS (RED)	9107278-02	33
4	HOUSING SOCKET FASTEN	121020-1	32
4	TUBING SHRINK (RED)	9107305-02	31
4	HOUSING TERM FASTEN	121020-2	30
1	CIRCUIT BREAKER, 5A	1210191-1	29
2	CONN PASTON (RED INS)	9007970	28
1	WIRE 18 AWG TWS (GRY/BLK)	9107430-08	27
1	WIRE 18 AWG INS (BLU)	9107360-66	26
2	RING CRIMP (REDNS)	9007929	25
4	WIRE 18 AWG INS (BRN)	9107360-11	24
4	WIRE 18 AWG INS (BLK)	9107360-00	23
4	WIRE 18 AWG INS (WHT)	9107360-99	22
1	MOUNT TIE WRAP	9008264	21
1	SHIELD TERM	C-A-701743-0-0	20
1	TERMINAL 7 POS	1212788	19
1	BRACKET COMPONENT	D-A-7015769-0-0	18
1	HOLDER, FUSE	9007242-0	17
2	NUT KEPS #6-32	9009243	16
1	FILTER LINE (EMI)	1212748	15
2	TERMINAL TURRET INS	9006966	14
1	RESISTOR 10Ω, 10W	1300173	13
-	CIRCUIT BREAKER, 10A	1210191-0	12
1	SOCKET, RELAY	1212789	11
2	SCR PHIL HD PAN #6-32X.25	9006021-01	10
2	SCR PHIL HD PAN #6-32X.62	9006026-01	9
2	SPACER HEX #6-32 X.19	9006842	8
8	WASHER INT TOOTH LOCK #6	9006633	7
4	SCR PHIL HD PAN #6-32X.19	9006020-01	6
1	RELAY 6.25V 3P 10A	1210683	5
1	GROMMET CATERPILLAR	9007035	4
2	WASHER INT TOOTH LOCK #8	9006634	3
2	SCR PHIL PAN HD #8-32X.44	9006038-1	2
1	TRANSFORMER ASSY	C-A-701803-0-0	1

REV.	DATE	BY	CHKD	DESCRIPTION
1	10/10/75	AD	AD	INITIAL RELEASE
2	10/10/75	AD	AD	REVISED TO 230V
3	10/10/75	AD	AD	REVISED TO 230V
4	10/10/75	AD	AD	REVISED TO 230V
5	10/10/75	AD	AD	REVISED TO 230V

701075-1  
701075-0

DESCRIPTION: A/C INPUT ASSY (120V/230V)

DATE: 10/10/75

SCALE: 1/1

REV: C

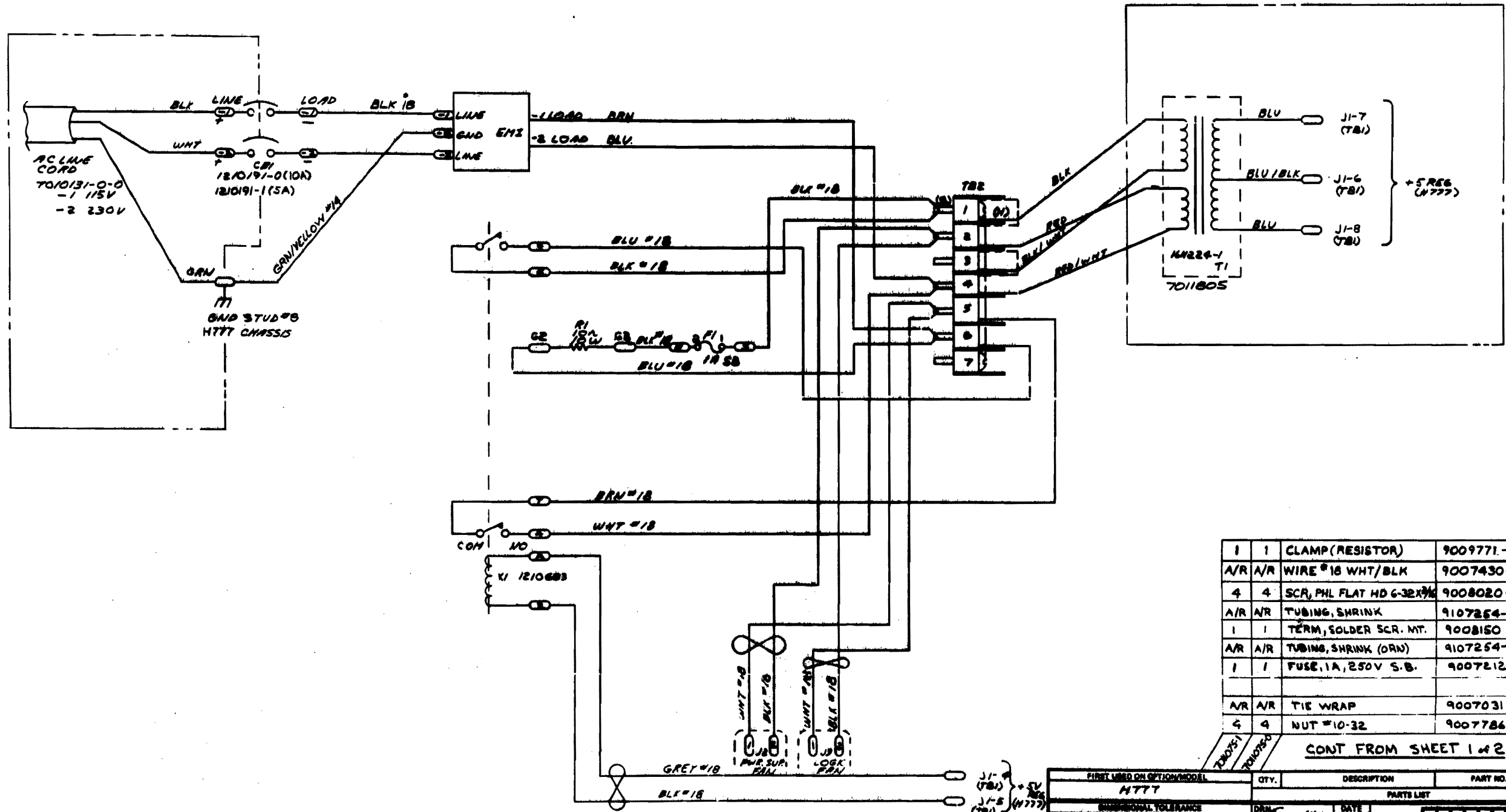
SIZE: D

CODE: AD

NUMBER: 701075-0-0

REV: C

"THE DRAWING AND SPECIFICATIONS HEREIN ARE THE PROPERTY OF DIGITAL EQUIPMENT CORPORATION AND SHALL NOT BE REPRODUCED OR COPIED OR USED IN WHOLE OR IN PART AS THE BASIS FOR THE MANUFACTURE OR SALE OF ITEMS WITHOUT WRITTEN PERMISSION.  
 COPYRIGHT © 1975 DIGITAL EQUIPMENT CORPORATION"



1	1	CLAMP (RESISTOR)	9009771-2	46
A/R	A/R	WIRE #18 WHT/BLK	9007430-09	45
4	4	SCR, PHL FLAT HD 6-32X7/16	9008020-02	44
A/R	A/R	TUBING, SHRINK	9107254-9	43
1	1	TERM, SOLDER SCR. MT.	9008150	42
A/R	A/R	TUBING, SHRINK (DRN)	9107254-02	41
1	1	FUSE, 1A, 250V S.B.	9007212	40
A/R	A/R	TIE WRAP	9007031	38
4	4	NUT #10-32	9007784	37

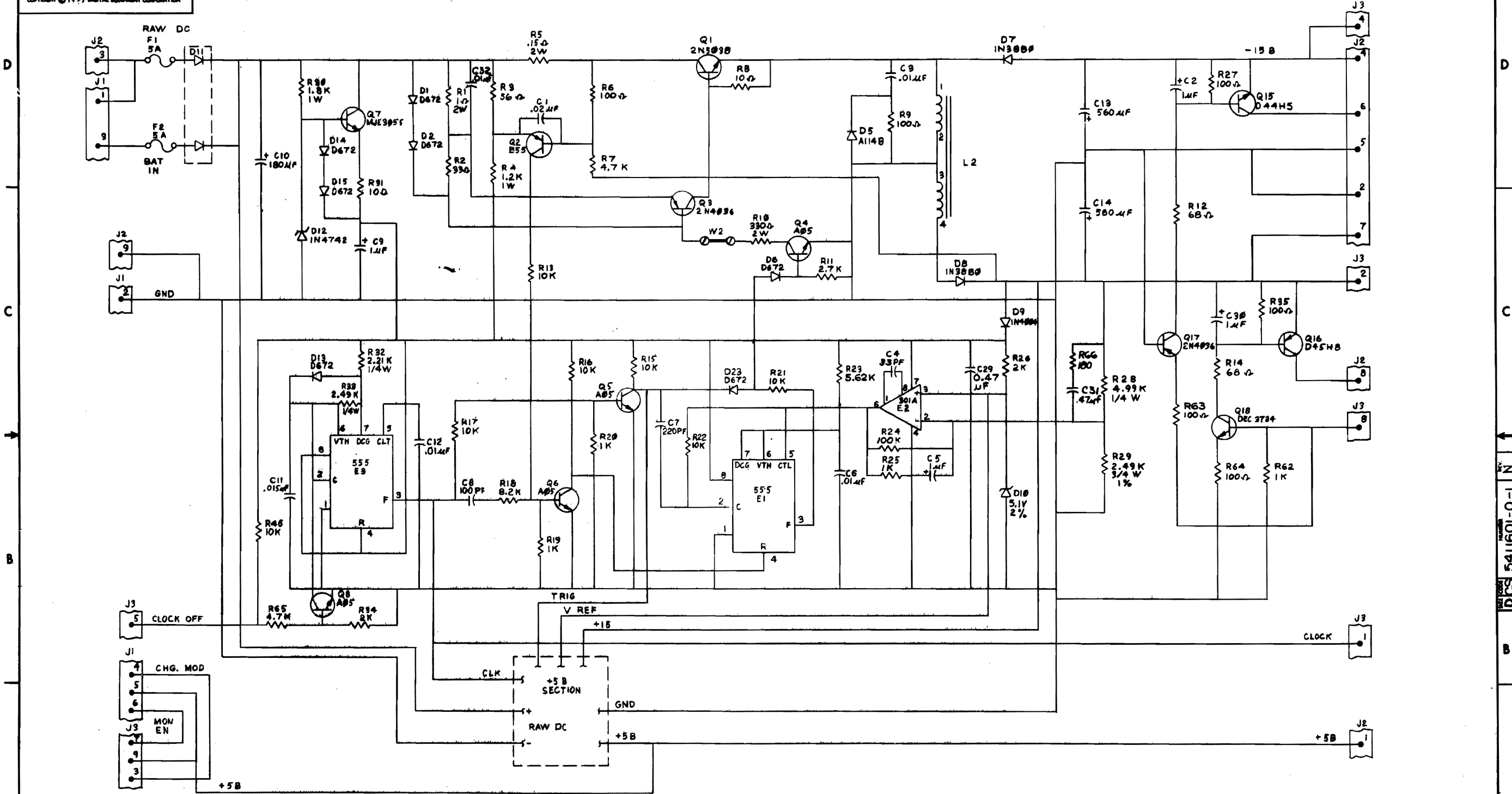
CONT FROM SHEET 1 of 2

FIRST USED ON OPTION/MODEL H777		QTY.	DESCRIPTION	PART NO.	REV.
DIMENSIONAL TOLERANCE		PARTS LIST			
DIMENSIONS ARE IN INCHES UNLESS OTHERWISE SPECIFIED					
MATERIAL		TITLE AC INPUT ASSY (120V/230V)			
FINISH		D AD 7011075-0-0 SCALE 2 OF 2 SHEET 2 OF 2			

REV.	CHG	BY	DATE



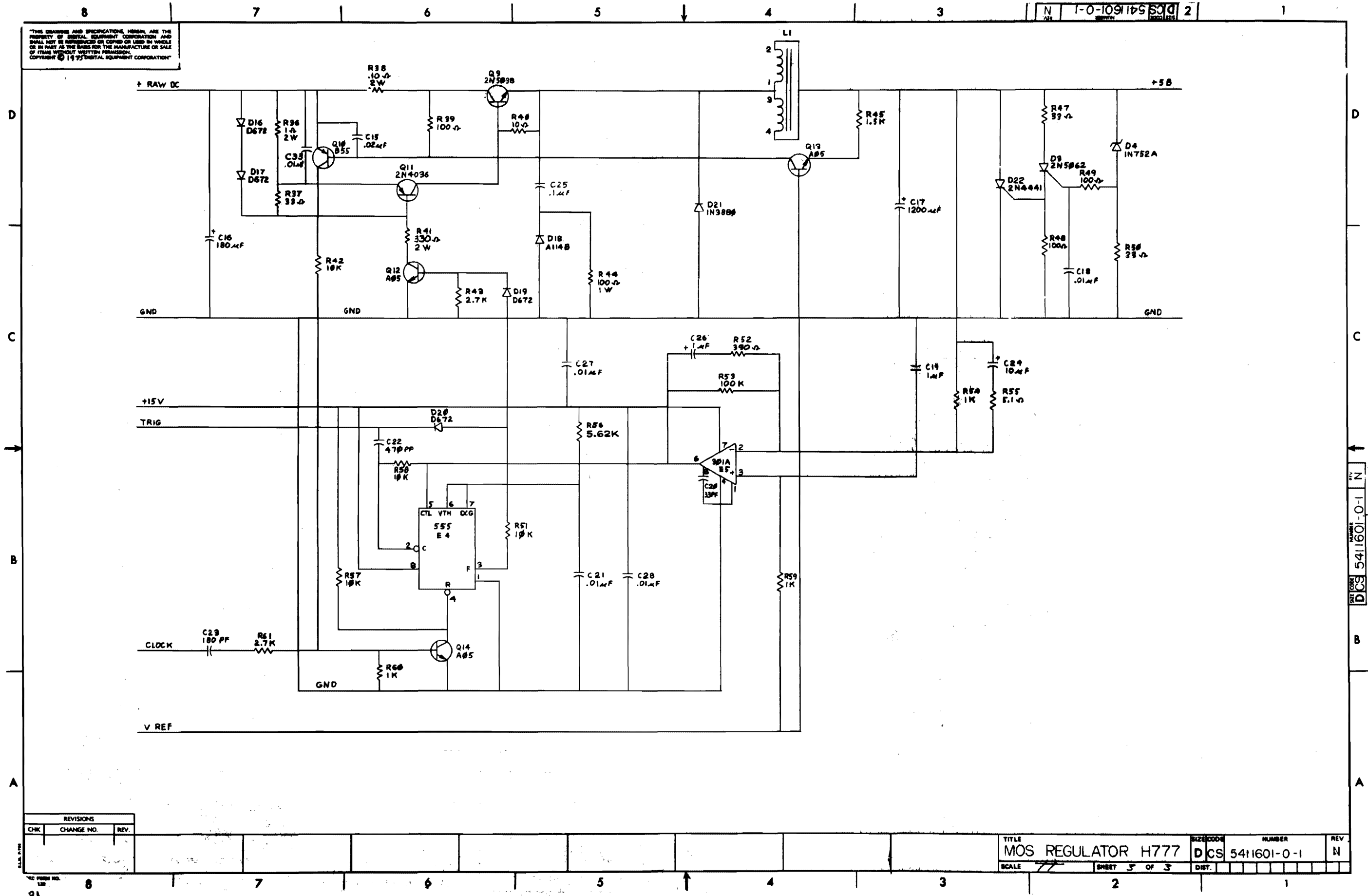
THIS DRAWING AND SPECIFICATIONS HEREON ARE THE PROPERTY OF DIGITAL EQUIPMENT CORPORATION AND SHALL NOT BE REPRODUCED OR COPIED IN WHOLE OR IN PART AS THE BASIS FOR THE MANUFACTURE OR SALE OF ITEMS WITHOUT WRITTEN PERMISSION. COPYRIGHT © 1977 DIGITAL EQUIPMENT CORPORATION



REVISIONS		
CHK	CHANGE NO.	REV.

TITLE	DCS 5411601-0-1	NUMBER	REV.
MOS REGULATOR H777			N
SCALE	SHEET 2 OF 3	DWG.	

THIS DRAWING AND SPECIFICATIONS HEREIN ARE THE PROPERTY OF DIGITAL EQUIPMENT CORPORATION AND SHALL NOT BE REPRODUCED OR COPIED OR USED IN WHOLE OR IN PART AS THE BASIS FOR THE MANUFACTURE OR SALE OF ITEMS WITHOUT WRITTEN PERMISSION. COPYRIGHT © 1975 DIGITAL EQUIPMENT CORPORATION

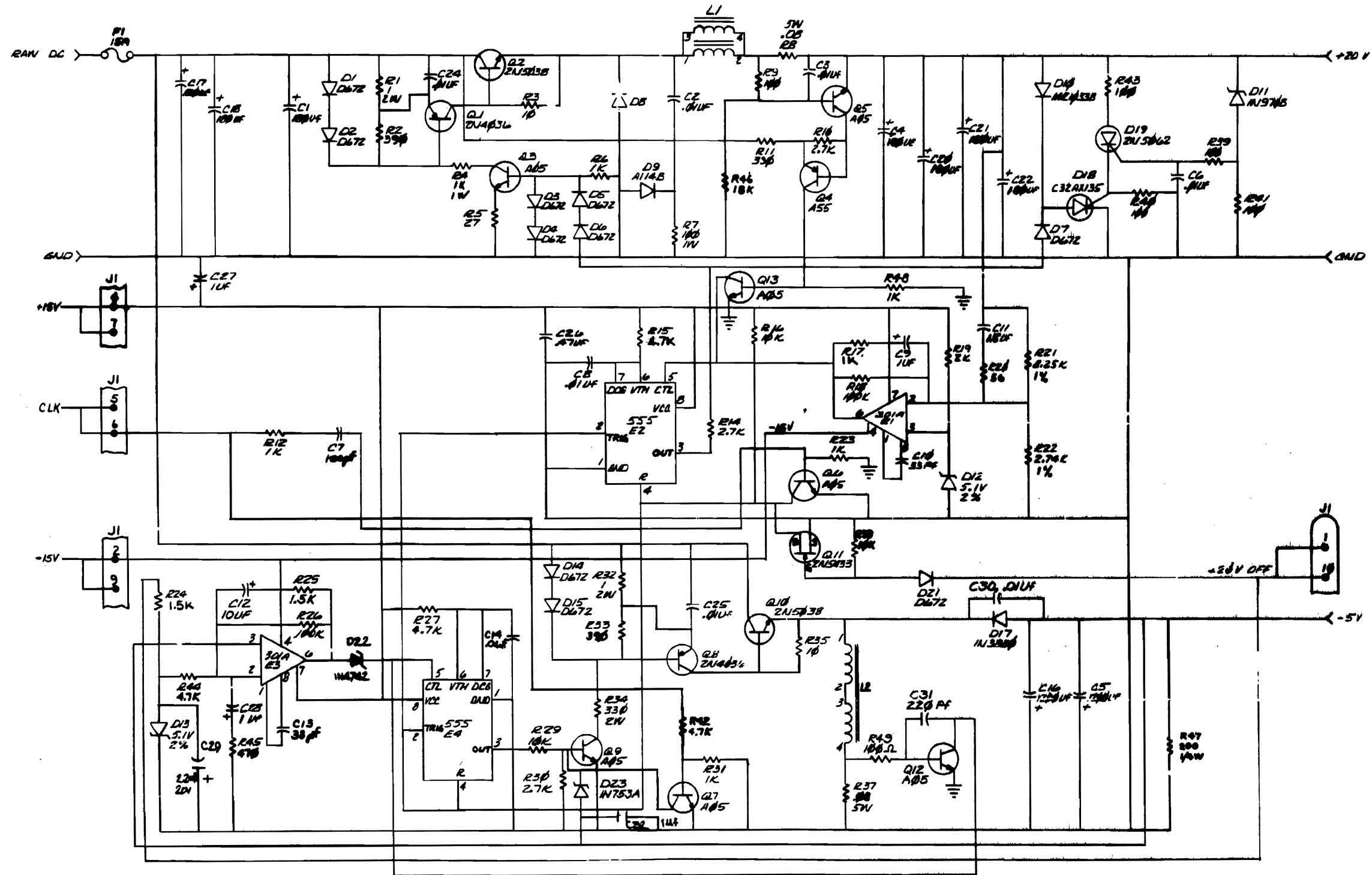


REVISIONS		
CHK	CHANGE NO.	REV.

TITLE	SIZE CODE	NUMBER	REV
MOS REGULATOR H777	DCS	5411601-0-1	N
SCALE	SHEET	OF	DIST.
77	3	3	

DCS 5411601-0-1 N





REV.	CHG.	DATE

DIGITAL EQUIPMENT CORPORATION MAYNARD, MASSACHUSETTS			QUANTITY / VARIATION								
PARTS LIST			H777-AA	H777-AB	H777-BA	H777-BB	H777-CA	H777-CB	H777-DA	H777-DB	
MADE BY	CHECKED	SECTION									
DATE	DATE	ISSUED SECT.									
ENG	PROD	ISSUED SECT.									
DATE	DATE	ISSUED SECT.									
ITEM NO.	DWG NO. / PART NO.	DESCRIPTION									
23	C-IA-7413773-0-0	BRACKET, FAN	2	2	2	2	2	2	2	2	
24	1210984-05	INS SHEET 9.0 ± .1 x 1.5 ± .1	A	RA	RA	RA	RA	RA	RA	R	
25	B-DC-7414744-0-0	DECAL H777 P.S.	1	1	1	1	-	-	-	-	
26	A-PS-3612680-0-0	DECAL, CHASSIS GROUND	2	2	2	2	2	2	2	2	
27	C-IA-7011412-0F	CABLE, CHASSIS GROUND	1	1	1	1	1	1	1	1	
28	C-IA-7011412-1H	CABLE, CONSOLE GROUND	-	-	-	1	1	1	1	1	
29	D-CS-5411599-0-1	CORE REG. H777	1	1	-	-	1	1	-	-	
30	9007015	GROMMET	-	-	-	1	1	1	1	1	
31	D-IA-7417407-0-0	CHASSIS P.S.	-	-	-	-	1	1	1	1	
32	D-AD-7012910-0-0	A/C INPUT ASSY (120V)	-	-	-	1	-	1	-	-	
33	D-AD-7012910-1-0	A/C INPUT ASSY (230V)	-	-	-	-	1	-	1	-	
34	E-IA-7417018-0-0	COVER, POWER SUPPLY	-	-	-	1	1	1	1	1	
35	A-PS-1213773-0-0	AC RECEPTACLE	-	-	-	1	1	1	1	1	
36	A-PS-1212877-0-0	FILTER	-	-	-	1	1	1	1	1	
37	D-AD-7012909-0-0	+5V REGULATOR ASSY	-	-	-	1	1	1	1	1	
38	9009771-1-0	CABLE CLAMP	-	-	-	2	2	2	2	2	
39	9006024-01	SCREW, PAN #6 - 32 x .50	-	-	-	1	1	1	1	1	
40	9006404-2	SCR. PHL PAN HD #6 - 32 x .31	4	4	4	4	4	4	4	4	
41	9107258-02	TUBING, SHRINK (CRN)	-	-	-	A	RA	RA	RA	R	
42	C-IA-7417288-0-0	WIRE A.C. CONN. WARMER	-	-	-	REF	REF	REF	REF	REF	
43	B-DC-7414744-1-0	DECAL H777 P.S.	-	-	-	1	1	1	1	1	
44	9006037-1	SCR. PHIL PAN HD #6 - 32 x .38	-	-	-	1	1	1	1	1	
TITLE POWER SUPPLY ASSY (H777)			ASSY NO. E-UA-H777-0-0	SIZE CODE A PL	NUMBER H777-0-0	REV N	ECO NO.				
SHEET 2 OF 3			DIST								

DEC FORM DEC 16 (325) 1031 N870  
ORA 110

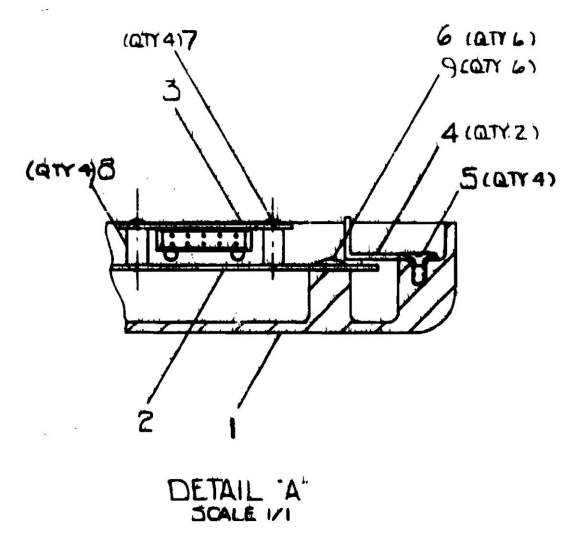
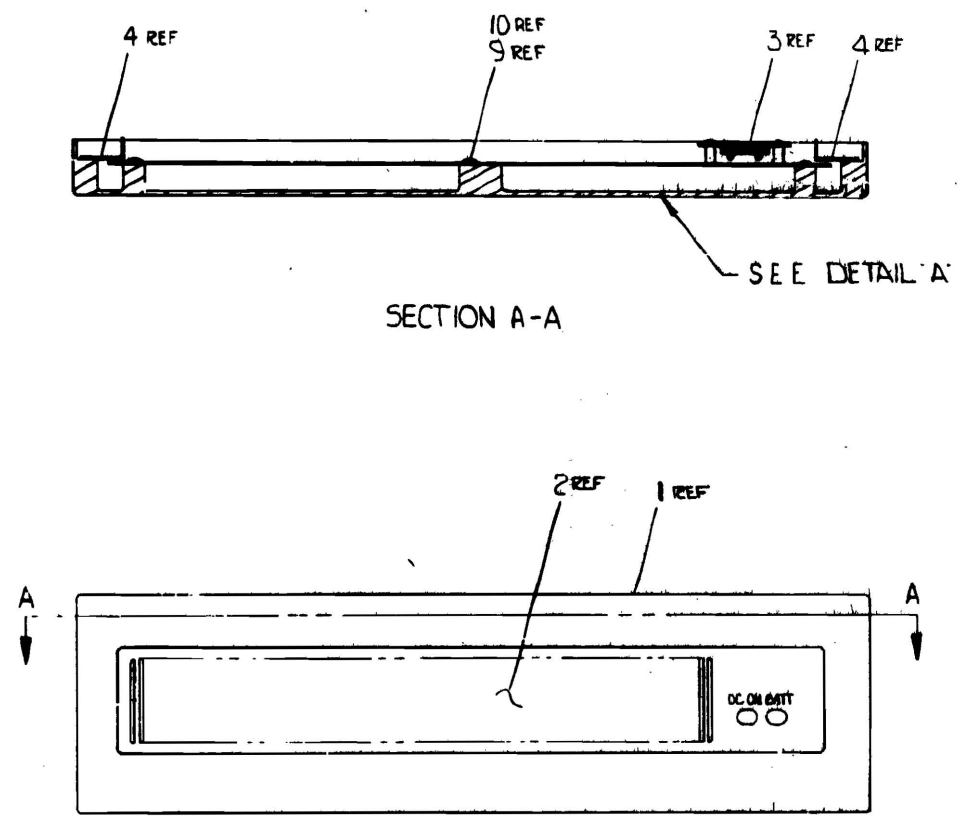
DIGITAL EQUIPMENT CORPORATION MAYNARD, MASSACHUSETTS			QUANTITY / VARIATION								
PARTS LIST			H777-AA	H777-AB	H777-BA	H777-BB	H777-CA	H777-CB	H777-DA	H777-DB	
MADE BY	CHECKED	SECTION									
DATE	DATE	ISSUED SECT.									
ENG	PROD	ISSUED SECT.									
DATE	DATE	ISSUED SECT.									
ITEM NO.	DWG NO. / PART NO.	DESCRIPTION									
1	D-IA-7011248-0-0	CHASSIS ASSY P.S.	1	1	1	1	-	-	-	-	
2	9007031-05	TIE WRAP	A	RA	RA	RA	RA	RA	RA	R	
3	D-AD-7011075-0-0	A/C INPUT ASSY (120V)	1	-	1	-	-	-	-	-	
4	D-AD-7011075-1-0	A/C INPUT ASSY (230V)	-	1	-	1	-	-	-	-	
5	9007035	GROMMET CAT.	A	RA	RA	RA	RA	RA	RA	R	
6	9006563	NUT, KEPS #6 - 32	2	2	2	2	2	2	2	2	
7	E-MD-7413825-0-0	COVER, POWER SUPPLY	1	1	1	1	-	-	-	-	
8	D-AD-7011073-0-0	+5V REGULATOR ASSY	1	1	1	1	-	-	-	-	
9	D-CS-5411601-0-1	MOS. REG. H777	1	1	1	1	1	1	1	1	
10	9006021-01	SCR. PHL HD PAN #6 - 32 x .31	4	4	2	2	3	3	1	1	
11	9008509	STRAIN RELIEF	1	1	1	1	-	-	-	-	
12	D-IA-7012320-0	POWER CORD (115V)	1	-	1	-	-	-	-	-	
13	D-IA-7012320-1	POWER CORD (230V)	-	1	-	1	-	-	-	-	
14	9006022-1	SCR. PHIL HD PAN #6-32 x .38	6	6	4	4	-	-	-	-	
15	9006633	WASHER, INT. TOOTH #5	10	10	6	6	3	3	1	1	
16	9009771-02	CLAMP	2	2	2	2	-	-	-	-	
17	1209403-01	FAN, BOXER 115V, 50/60 Hz	1	1	1	1	1	1	1	1	
18	9006020-2	SCR. PHIL FLAT HD #6 - 32 x .25	7	7	7	7	-	-	-	-	
19	9008185	NUT, KEPS #6 - 32	-	-	-	2	2	2	2	2	
20	9006022-1	SCR. PHIL HD PAN #6 - 32 x .38	6	6	4	4	-	-	-	-	
21	9006074-3	SCR., PHIL TRUSS #10 - 32 x .62	4	4	4	4	4	4	4	4	
22	9007651	WASHER, EXT. TOOTH #10	4	4	4	4	4	4	4	4	
TITLE POWER SUPPLY ASSY (H777)			ASSY NO. E-UA-H777-0-0	SIZE CODE A PL	NUMBER H777-0-0	REV N	ECO NO. H777-0-0				
SHEET 1 OF 3			DIST								

25

DIGITAL EQUIPMENT CORPORATION MAYNARD, MASSACHUSETTS			QUANTITY / VARIATION								
PARTS LIST			H777-AA	H777-AB	H777-BA	H777-BB	H777-CA	H777-CB	H777-DA	H777-DB	
MADE BY	CHECKED	SECTION									
DATE	DATE	ISSUED SECT.									
ENG	PROD	ISSUED SECT.									
DATE	DATE	ISSUED SECT.									
ITEM NO.	DWG NO. / PART NO.	DESCRIPTION									
45	9006634	WASHER INT. TOOTH LOCK #8	-	-	-	-	1	1	1	1	
46	9006011-1	SCR PH HD PAN #4 - 40 x .38	-	-	-	-	2	2	2	2	
47	9006632	WASHER INT. TOOTH LOCK #4	-	-	-	-	2	2	2	2	
48	9008020-02	SCR, PHIL FLAT HD. #6-32 x .18	1	1	1	1	-	-	-	-	
49	7011411-1L	CABLE, CONSOLE CONTROL	-	-	-	REF	REF	REF	REF	REF	
50	9006022-03	SCR. PHIL. TRUSS #6-32 x .38	-	-	-	4	4	2	2	2	
51	C-IA-7013938-1	CABLE JUMPER	-	-	-	1	1	1	1	1	
52	C-IA-7013938-0	CABLE JUMPER	-	-	-	1	1	1	1	1	
53	C-IA-7013939-0	CABLE GROUNDING	-	-	-	1	1	1	1	1	
54	C-IA-7420323-00	AC POWER CORD W/LABLE (120V)	-	-	-	1	-	1	-	-	
55	C-IA-7420323-01	AC POWER CORD W/LABLE (240V)	-	-	-	1	-	1	-	-	
56	9006656	WASHER, FLAT	4	4	2	2	3	3	1	1	
57	9006025-01	SCR, PAN PHIL #6-32 x 5/8	3	3	3	3	3	3	3	3	
58	9006560	NUT, KEP #6-32	3	3	3	3	3	3	3	3	
59	7011412-3C	CABLE ASSY	1	1	1	1	-	-	-	-	
60	9006561	NUT, HEX #6-32	1	1	1	1	-	-	-	-	
61	7011414-1F	CABLE, CONSOLE CONTROL	REF	REF	REF	REF	-	-	-	-	
62	9009255-00	LABEL	1	1	1	1	1	1	1	1	
63	3614833	LABEL, WARNING	-	-	-	1	1	1	1	1	
TITLE POWER SUPPLY ASSY (H777)			ASSY NO. E-UA-H777-0-0	SIZE CODE A PL	NUMBER H777-0-0	REV N	ECO NO. H777-0-0				
SHEET 3 OF 3			DIST								

THIS DRAWING AND SPECIFICATIONS HEREON ARE THE PROPERTY OF THE UNITED STATES GOVERNMENT AND SHALL NOT BE REPRODUCED OR TRANSMITTED IN ANY FORM OR BY ANY MEANS, ELECTRONIC OR MECHANICAL, INCLUDING PHOTOCOPYING, RECORDING, OR BY ANY INFORMATION STORAGE AND RETRIEVAL SYSTEM, WITHOUT PERMISSION IN WRITING FROM THE UNITED STATES GOVERNMENT.

NOTES:  
 1. TO SELECT STAND BY/MODE, ON MODE OR OFF MODE SEE D-CS-54 10 0-1.



QTY	DESCRIPTION	QTY PART NO.	ITEM NO.
6	SCREW, PAN HD, PHIL #8-32 x .31 LG	9006036-1	9
4	SPACER, 25 D.Y 6-32 X .44 LG	9009835	8
4	SCREW, PAN HD, PHIL #32 x .19 LG	9008020-1	7
6	WASHER, INT. TOOTH #8	9006634	6
4	SCR FLAT HD PHIL #8-32 x .25	9006035-02	5
2	BRACKET SUPPORT FILTER	CMD-7414962-1-D	4
1	CONT. EXP. BOX (BALL-1)	D-14-5411501-0-0	3
1	PANEL EXPANDER BOX	D-14-7017321-0-0	2
1	BEZEL	EAD-7416747-0-0	1

CLASS OF ACCURACY	DIMENSIONAL TOLERANCES IN INCHES					
	FRST	2ND	3RD	4TH	5TH	6TH
SURFACE QUALITY IN	ASSEMBLED	0.0015	0.0010	0.0008	0.0006	0.0005
	PREPARED	0.0015	0.0010	0.0008	0.0006	0.0005

THIRD ANGLE PROJECTION

REMOVE BURRS AND BREAK SHARP CORNERS

DO NOT SCALE DIMS

MATERIAL SEE PARTS LIST

DATE: 11-64

TITLE: CONSOLE ASSY EXPANDER BOX

SIZE: 11x17

SCALE: 1/2

REV. A

NO. 1 OF 1

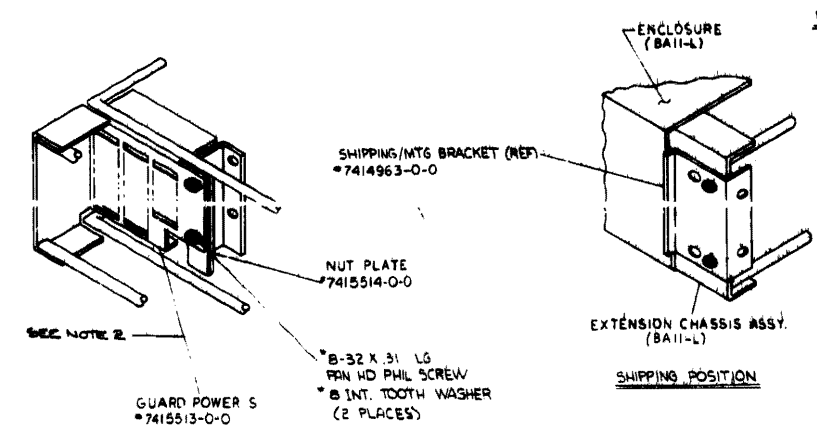
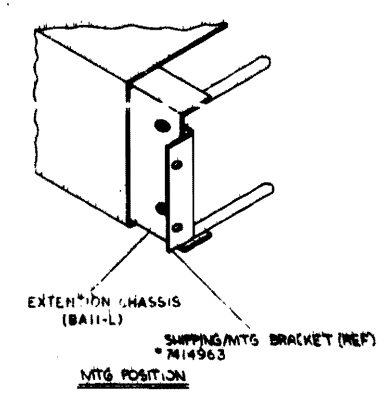
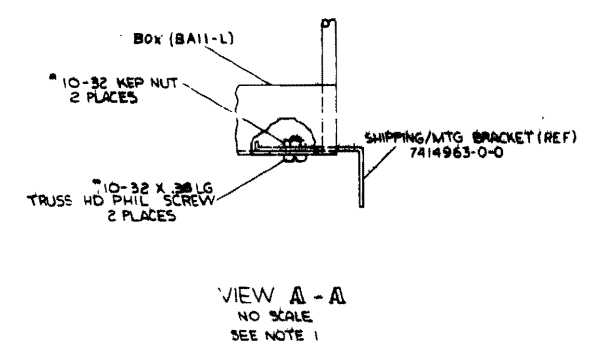
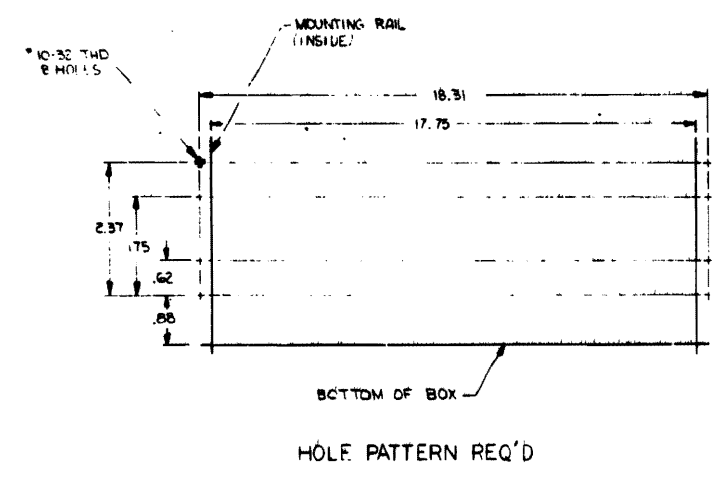
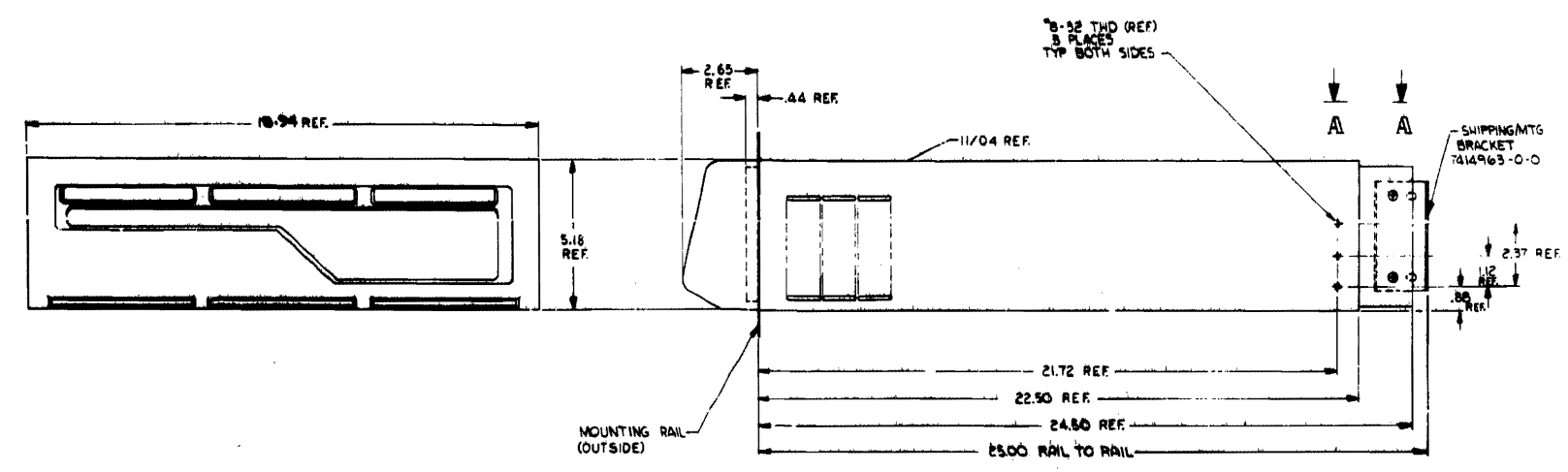
REV.	DESCRIPTION
A	1000000-00001
B	1000000-00002
C	1000000-00003
D	1000000-00004

D 14 7012540-0-0 A

B

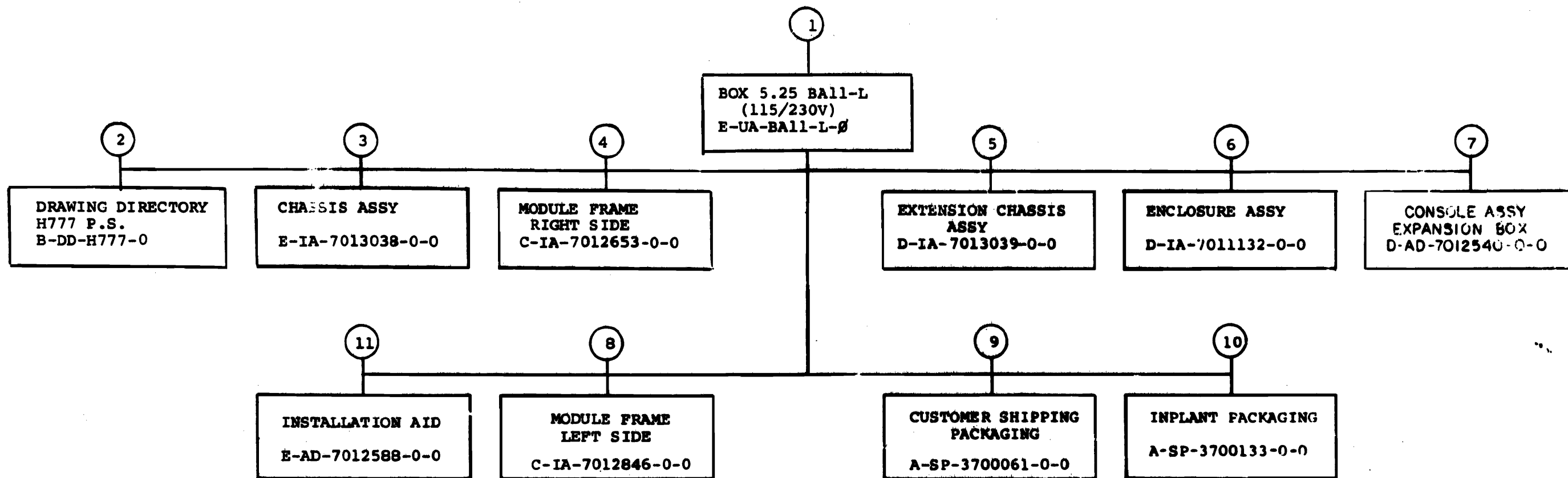
A

NOTES:  
 1. SHOWN IN MTG BRACKET POSITION, ALSO SHOWN IN METRIC OF BKT IN MTG POSITION & SHIPPING POSITION.  
 2. BECAUSE OF U.L. REQUIREMENTS THE REAR OF THE POWER SUPPLY MUST BE COVERED THE GUARD SHOWN IS TO BE INSTALLED ON UNITS THAT DON'T HAVE THE NEW PWR SUPPLY WITH CLOSED ENDS. THERE SHOULD BE APPROX. 500 UNITS THAT WILL REQUIRE THIS RETROFIT.



QUANTITY & VARIATION	11/04
INSTALLATION	AD
7412588-0-0	





TITLE	DRAWING DIRECTORY BALL-L	SIZE	CODE	NUMBER	REV
	SHEET 2 OF 4	B	DD	BALL-L	H



MECHANICAL (SECTION 2)					MECHANICAL (SECTION 2)				
FIG. NO.	DRAWING NO.	REV	NO OF SHT	DESCRIPTION	FIG. NO.	DRAWING NO.	REV	NO OF SHT	DESCRIPTION
5	D-IA-7013039-0-0		1	EXTENSION CHASSIS ASSY	10	A-SP-3700133-0-0			PACKAGING IN PLANT
	B-MD-7414086-0-0		1	ROD EXTENSION FRAME		A-PS-9905271-0-0			LAMINATED BUILDUPS SADDLE
	C-MD-7417220-0-0			PLATE END RIGHT HAND		A-PS-9905184-0-0			BEZEL PROTECTOR
	C-MD-7417239-0-0			PLATE END LEFT HAND		A-PS-9905418-0-0			REGULAR SLOTTED CARTON
						A-PS-9905129-7			POLY BAG
						A-PS-9905729-0-0			3 IN. WIDE GLASFLEX TAPE
6	D-IA-7011132-0-0		1	ENCLOSURE ASSY	11	E-AD-7012588-0-0			INSTALLATION AID
	D-IA-7013868-0-0		1	ENCLOSURE BOTTOM					
	D-MD-7413869-0-0		1	ENCLOSURE TOP					
7	D-AD-7412540-0-0		1	CONSOLE ASSY, EXPANSION BOX					
8	C-IA-7012846-0-0			MODULE FRAME LEFT SIDE					
	C-MD-7414084-0-0			BRKT. EJECTOR L.H.					
	C-MD-7416517-0-0			BRKT. CARD GUIDE					
	C-MD-7414082-0-0			BRKT. BACKPLANE L.H.					
	C-MD-7416516-0-0			ROD					
9	A-SP-3700061-0-0			PACKAGING INSTRUCTIONS CUST.					
	A-PS-9905647-0-0			FULL-TELESCOPE CAP					
	A-PS-9905648-0-0			FOAM PAD					
	A-PS-9905646-0-0			FOAM WITH CORRUGATED SIDEWALL ASSEMBLY					
	A-PS-9905734-0-0			STRAPPING (STEEL OR PLASTIC)					

CUSTOMER PRINT SET  
 Y = PRINT OF DOCUMENT INCLUDED IN PRINT SET  
 C = INCLUDES ALL PRINTS INDICATED ON DOCUMENT  
 S = CONFIDENTIAL AUTHORIZED SIGNATURE REQUIRED

TITLE  
 DRAWING DIRECTORY Ball-L  
 SHEET 4 OF 4  
 SIZE CODE  
 B DD  
 NUMBER  
 Ball-L  
 REV  
 H





DIGITAL EQUIPMENT CORPORATION MAYNARD, MASSACHUSETTS				QUANTITY / VARIATION							
PARTS LIST				H777-AA	H777-AB	H777-BA	H777-BB	H777-CA	H777-CB	H777-DA	H777-DB
MADE BY	CHECKED	D. HEALY	SECTION								
DATE	DATE	29 JUL 76	1								
ENG	PROD	R. Barry	ISSUED SECT.								
DATE	DATE	26 AUG 76	1								
ITEM NO.	DWG NO. / PART NO.	DESCRIPTION									
23	C-1A-7413773-0-0	BRACKET, PAN		2	2	2	2	2	2	2	
24	1210984-05	INS SHEET 9.0±.1 X 1.5±.1	A/BA/CA/DA/EA/FA/GA/HA/IA								
25	B-DC-7414744-0-0	DECAL H777 P.S.		1	1	1	1	1	1	1	
26	A-PS-3612680-0-0	DECAL, CHASSIS GROUND		2	2	2	2	2	2	2	
27	C-1A-7011412-0F	CABLE, CHASSIS GROUND		1	1	1	1	1	1	1	
28	C-1A-7011412-1H	CABLE, CONSOLE GROUND						1	1	1	
29	D-CS-5411599-0-1	CORE REG. H777		1	1			1	1		
30	9007015	GROMMET						1	1	1	
31	D-1A-7417407-0-0	CHASSIS P.S.						1	1	1	
32	D-AD-7012910-0-0	A/C INPUT ASSY (120V)						1	1		
33	D-AD-7012910-1-0	A/C INPUT ASSY (230V)						1	1		
34	E-1A-7417018-0-0	COVER, POWER SUPPLY						1	1	1	
35	A-PS-1213773-0-0	AC RECTIFIER						1	1	1	
36	A-PS-1212877-0-0	FILTER						1	1	1	
37	D-AD-7012909-0-0	+5V REGULATOR ASSY						1	1	1	
38	9009771-1-0	CABLE CLAMP						2	2	2	
39	9006024-01	SCR, PAN #6 - 32 x .50						1	1	1	
40	9009404-2	SCR, PAN PHIL #6 - 32 x .31		4	4	4	4	4	4	4	
41	9107259-02	TUNING, SHANK (OHM)						1	1	1	
42	C-1A-7417288-0-0	WIRE A.C. CORD						1	1	1	
43	B-DC-7414744-1-0	DECAL H777 P.S.						1	1	1	
44	9006037-1	SCR, PHIL PAN #6 - 32 x .38						1	1	1	
TITLE	POWER SUPPLY ASSY (H777)	ASSY NO. E-UA-H777-0-0	SIZE CODE A PL	NUMBER H777-0-0	REV N	ECO NO.					
		SHEET 2 OF 3	DIST								

DEC FORM DEC 16 (335) 1031 NH70  
ORA 110

DIGITAL EQUIPMENT CORPORATION MAYNARD, MASSACHUSETTS				QUANTITY / VARIATION							
PARTS LIST				H777-AA	H777-AB	H777-BA	H777-BB	H777-CA	H777-CB	H777-DA	H777-DB
MADE BY	CHECKED	D. HEALY	SECTION								
DATE	DATE	29 JUL 76	1								
ENG	PROD	R. Barry	ISSUED SECT.								
DATE	DATE	26 AUG 76	1								
ITEM NO.	DWG NO. / PART NO.	DESCRIPTION									
45	9006634	WASHER INT. TOOTH LOCK #8						1	1	1	
46	9006011-1	SCR PH HD PAN #4 - 40 x .38						2	2	2	
48	9006632	WASHER INT. TOOTH LOCK #8						2	2	2	
49	9008020-02	SCR, PHIL FLAT HD #6-32 x .18		1	1	1	1				
50	7011411-1L	CABLE, CONSOLE CONTROL						REF	REF	REF	
51	9006022-03	SCR, PHIL, TRUSS #6-32 x .38						4	4	2	
52	C-1A-7013938-1	CABLE JUMPER						1	1	1	
53	C-1A-7013938-0	CABLE JUMPER						1	1	1	
54	C-1A-7013938-0	CABLE GROUNDING						1	1	1	
55	C-1A-7420323-00	AC POWER CORD W/LABLE (120V)						1	1		
56	C-1A-7420323-01	AC POWER CORD W/LABLE (240V)						1	1		
57	9006656	WASHER, FLAT		4	4	2	2	3	3	1	
58	9006025-01	SCR, PAN PHIL #6-32 x 5/8		3	3	3	3	3	3	3	
59	9006560	NUT, HEX #6-32		3	3	3	3	3	3	3	
60	7011412-3C	CABLE ASSY		1	1	1	1				
61	9006561	NUT, HEX #8-32		1	1	1	1				
62	7011414-1F	CABLE, CONSOLE CONTROL		REF	REF	REF	REF				
63	9009255-00	LABEL		1	1	1	1	1	1	1	
64	1614833	LABEL, WARNING						1	1	1	
TITLE	POWER SUPPLY ASSY (H777)	ASSY NO. E-UA-H777-0-0	SIZE CODE A PL	NUMBER H777-0-0	REV N	ECO NO.					
		SHEET 3 OF 3	DIST								

DIGITAL EQUIPMENT CORPORATION MAYNARD, MASSACHUSETTS				QUANTITY / VARIATION							
PARTS LIST				H777-AA	H777-AB	H777-BA	H777-BB	H777-CA	H777-CB	H777-DA	H777-DB
MADE BY	CHECKED	D. HEALY	SECTION								
DATE	DATE	29 JUL 76	1								
ENG	PROD	R. Barry	ISSUED SECT.								
DATE	DATE	26 AUG 76	1								
ITEM NO.	DWG NO. / PART NO.	DESCRIPTION									
1	D-1A-7011248-0-0	CHASSIS ASSY P.S.		1	1	1	1				
2	9007031-05	TIE WRAP	A/BA/CA/DA/EA/FA/GA/HA/IA								
3	D-AD-7011075-0-0	A/C INPUT ASSY (120V)		1	1						
4	D-AD-7011075-1-0	A/C INPUT ASSY (230V)									
5	9007035	GROMMET CAT.	A/BA/CA/DA/EA/FA/GA/HA/IA								
6	9006563	NUT, KEPS #8 - 32		2	2	2	2	2	2	2	
7	E-ND-7413825-0-0	COVER, POWER SUPPLY		1	1	1	1				
8	D-AD-7011073-0-0	+5V REGULATOR ASSY		1	1	1	1				
9	D-CS-5411601-0-1	MOS. REG. H777		1	1	1	1	1	1	1	
10	9006021-01	SCR, PHIL HD PAN #6 - 32 x .31		4	4	2	2	3	3	1	
11	9008509	STRAIN RELIEF		1	1	1	1				
12	D-1A-7012320-0	POWER CORD (115V)		1	1						
13	D-1A-7012320-1	POWER CORD (230V)									
14	9006022-1	SCR, PHIL HD PAN #6-32 x .38		6	6	4	4				
15	9006633	WASHER, INT. TOOTH #6		10	10	6	6	3	3	1	
16	9009771-02	CLAMP		4	2	2	2				
17	1209403-01	FAN, BOXER 115V, 50/60 Hz		1	1	1	1	1	1	1	
18	9006020-2	SCR, PHIL FLAT HD #6 - 32 x .25		7	7	7	7				
19	9008185	NUT, KEPS #6 - 32						2	2	2	
20	9006020-1	SCR, PHIL HD PAN #6 - 32 x .31		4	4	4	4	4	4	4	
21	9006074-3	SCR, PHIL TRUSS #10 - 32 x .62		4	4	4	4	4	4	4	
22	9007551	WASHER, EXT. TOOTH #10		4	4	4	4	4	4	4	
TITLE	POWER SUPPLY ASSY (H777)	ASSY NO. E-UA-H777-0-0	SIZE CODE A PL	NUMBER H777-0-0	REV N	ECO NO.					
		SHEET 1 OF 3	DIST								



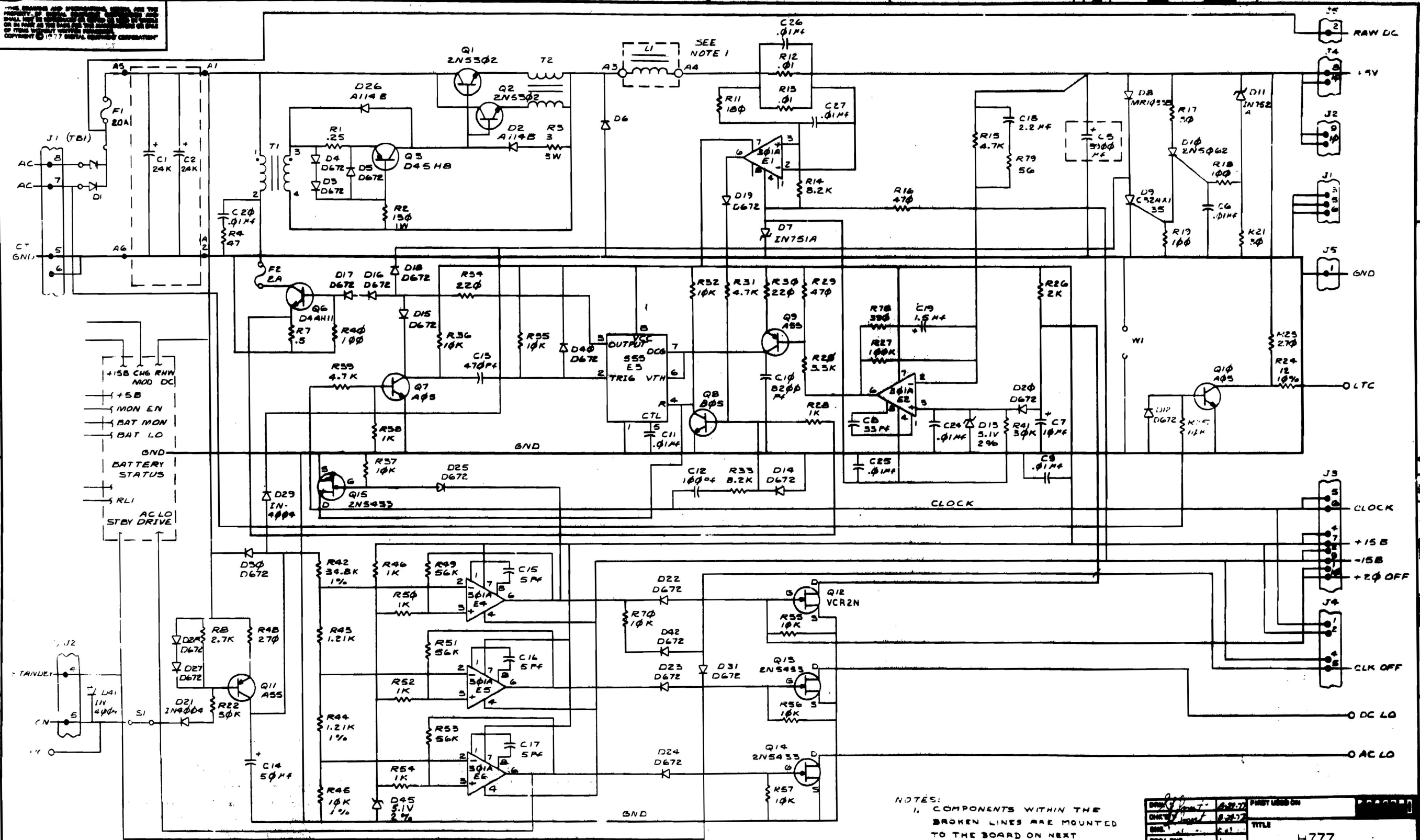
DIGITAL EQUIPMENT CORPORATION MAYNARD, MASSACHUSETTS <b>PARTS LIST</b>				QUANTITY / VARIATION											
MADE BY S. ROCHA		CHECKED D. HEALY		SECTION 1											
DATE 29 JUL 76		DATE 2 AUG 76													
ENG R. COURTMACHE		PROD R. BARRY		ISSUED SECT. 1											
DATE 13 SEP 76		DATE 13 SEP 76													
ITEM NO.	DWG NO. / PART NO.	DESCRIPTION													
1	D-CS-5412667-0-1	H777 +5V REG (REV & UP)				1									
2	9006633	WASHER, INT TOOTH LOCK #6				4									
3	9006025-01	SCR PHIL HD PAN #6-32 x .62L				2									
4	9006023-01	SCR PHIL HD PAN #6-32 x .44L				2									
5	D-IA-7011415-0-0	HARNES H777 +5V REG				1									
6	9006660	WASH, .375 O.D. x .137 I.D. x .036				2									
7	D-IA-7011560-0-0	HARNES BD MOS REG PWR DIST				1									
8	D-CS-541586-0-1	BOARD, PWR DISTR. H777				1									
9	D-IA-7417017-0-0	PLATE, CAPACITOR CONN SIDE				1									
10	9008185	NUT KEPS #6-32				2									
11	9006020-1	SCR PHIL PAN HD #6-32 x .25L				2									
12	9009052	CLAMP CAPACITOR				1									
13	1012740-00	CAPACITOR 3900uf 16.0V (65)				1									
14	9007017	GROMMET RUBBER				2									
15	E-IA-7413743-1-0	BRACKET CAPACITOR				1									
16	9007035	GROMMET CATERPILLAR				A/R									
17	1010702	CAPACITOR 24Kuf 50V				2									
18	C-MD-7417408-0-0	CLAMP CAPACITOR				1									
19	9009836-1	SCR PHIL HD TRUSS #8-32 x .38L				2									
20	9006634	WASHER INT TOOTH LOCK #8				2									
21	9008258	SPACER HEX #8-32 x 1.375				2									
22	1612584	CHOKE				1									
TITLE +5V REG ASSY				ASSY NO. D-AD-7012909-0-0		SIZE CODE <b>A PL</b>		NUMBER 7012909-0-0				REV. <b>E</b> 7012909-0-0			
				SHEET 1 OF 2		DIST.									

DEC FORM DEC 16-(325)-1031-N870  
ORA 110

DIGITAL EQUIPMENT CORPORATION MAYNARD, MASSACHUSETTS <b>PARTS LIST</b>				QUANTITY / VARIATION											
MADE BY S. ROCHA		CHECKED D. HEALY		SECTION 1											
DATE 29 JUL 76		DATE 2 AUG 76													
ENG R. COURTMACHE		PROD R. BARRY		ISSUED SECT. 1											
DATE 13 SEP 76		DATE 13 SEP 76													
ITEM NO.	DWG NO. / PART NO.	DESCRIPTION													
23	B-IA-7011801-0-0	JUMPER (RED)				1									
24	B-IA-7011802-0-0	JUMPER (BLK)				1									
25	B-IA-7011800-0-0	JUMPER (GRN)				2									
26	9006563	NUT KEPS #8-32				2									
27	9006707	WASHER NYLON #6				2									
28	9000039-07	SCR, FLAT HD #6-32 x .25				5									
29	A-DC-7416911-0-0	DECAL, BATT BACKUP				1									
30	B-IA-7011801-0-1	JUMPER, RED				1									
31	B-IA-7011802-0-1	JUMPER, BLK				1									
32	9009624	BUMPER				1									
33	9009255-00	LABEL				1									
34	9007031	CABLE TIE				2									
35	9006071-01	SCR PAN HD #10-32 x .37				4									
36	9006636	WASHER LOCK INT .350 OD x .200 ID x .022THK				4									
37	9009667	SCR, SEMS, SLOTTED BINDER HD #10-32 x 5/16				2									
TITLE +5V REG ASSY				ASSY NO. D-AD-7012909-0-0		SIZE CODE <b>A PL</b>		NUMBER 7012909-0-0				REV. <b>E</b> 7012909-0-0			
				SHEET 2 OF 2		DIST.									



THE DESIGN AND SPECIFICATIONS ARE THE PROPERTY OF GENERAL ELECTRIC. THIS DOCUMENT IS TO BE KEPT AS THE BASIS FOR THE DESIGN OF THIS EQUIPMENT. NO PARTS OR SUBASSEMBLIES OF THIS EQUIPMENT SHOULD BE REPRODUCED OR COPIED WITHOUT THE WRITTEN PERMISSION OF GENERAL ELECTRIC. COPYRIGHT © 1977 GENERAL ELECTRIC COMPANY



NOTES:  
1. COMPONENTS WITHIN THE  
BROKEN LINES ARE MOUNTED  
TO THE BOARD ON NEXT  
HIGHER ASS'Y

DATE	BY	PARTS LISTED ON	000000
CHK'D	DATE	TITLE	
DESIGN	DATE		
PROD. ENG.	DATE		
PROD.	DATE		

REVISIONS	
CHK	CHANGE NO.
Q1	5412667-0000
T	5412667-0001
B	5412667-0002
C	5412667-0003
D	5412667-0004
E	5412667-0005
F	5412667-0006

H777  
+5V REGULATOR  
DCS 5412667-0-1 F



THIS DRAWING AND SPECIFICATIONS HEREIN ARE THE PROPERTY OF DIGITAL EQUIPMENT CORPORATION AND SHALL NOT BE REPRODUCED OR COPIED OR USED IN WHOLE OR IN PART AS THE BASIS FOR THE MANUFACTURE OR SALE OF ITEMS WITHOUT WRITTEN PERMISSION. COPYRIGHT © 1977 DIGITAL EQUIPMENT CORPORATION

LEGEND	
PART NO	VARIATION
7012910-0	120 V
7012910-1	230 V

### WIRE CHART

ITEM NO	DESCR	FROM	TO	REMARKS	ITEM NO	DESCR	FROM	TO	REMARKS
NO	AVG	CONN	WITH	CONN	WITH	NO	AVG	CONN	WITH
22	18	OR/WH	K1-4	SOLD,31	*TB2-3S	SOLD	5 1/2" L		
23	18	GR/WH	K1-6		*TB2-4S	SOLD	5" L		
24	18	WH/OR	K1-7		TB2-5H	2S	9" L		
26	18	WH/GR	K1-9		TB2-6H	2S	9" L		
27	18	GR/Y	K1-A				13 1/2" L		
	TWP	BLK	K1-B	SOLD,31			13 1/2" L		
46	18	GR/OR	G2	SOLD	*TB2-6S	SOLD	6" L		
47	18	GR/WH	F1-1	SOLD,31	*TB2-4S	SOLD	3" L		
43	18	BRN	(CBI-2) LOAD	28,31	*TB2-6S	SOLD	7 1/2" L		
	TWP	BLU	(CBI-1) LOAD	28,31	*TB2-1S	SOLD	7 1/2" L		
45	14	BLU	(CBI-1) LINE		NOTE 6		17" L		
	TWP	BRN	(CBI-2) LINE		NOTE 6		17" L		
15	18	WH/T	*TB2-7S	SOLD	J2-2	30,32	10" L		
	TWP	BLK	*TB2-5S	SOLD	J2-1	30,32	9" L		
15	18	WH/T	*TB2-7S	SOLD	J3-2	30,32	16" L		
	TWP	BLK	*TB2-5S	SOLD	J3-1	30,32	15 1/2" L		

### NOTES:

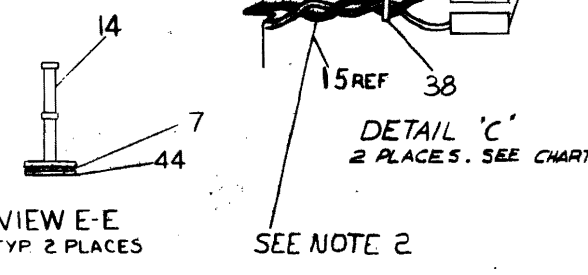
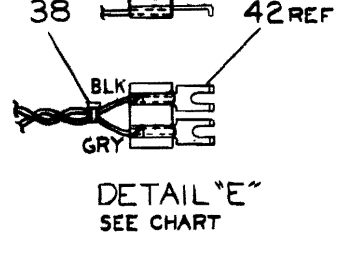
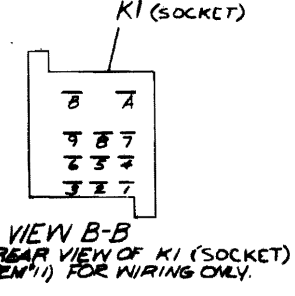
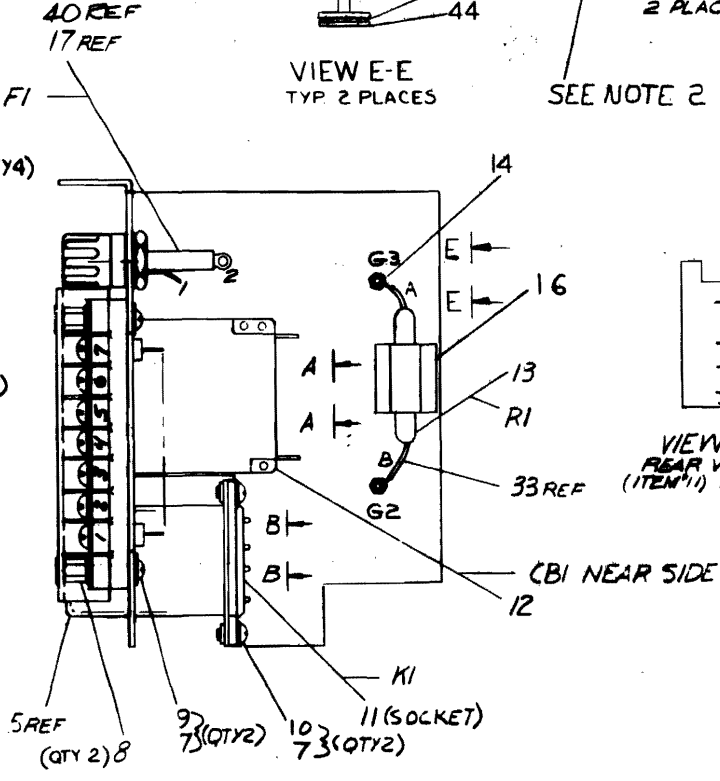
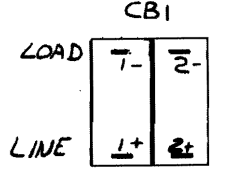
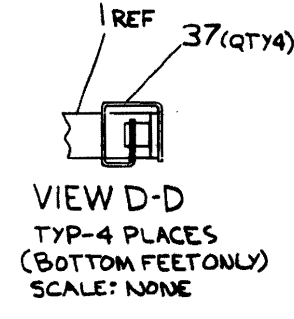
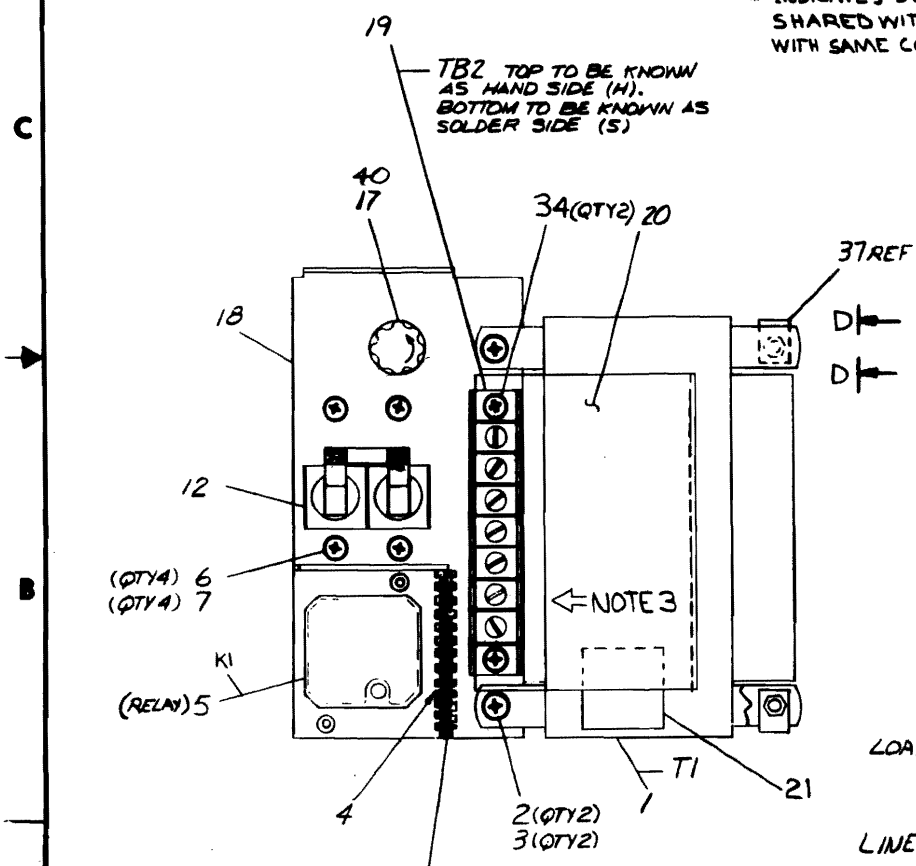
- COVER ITEM 30 WITH ITEM 31. COVER ENTIRE CONN.
- TWISTED PAIR WIRE TO HAVE A MIN OF 8 TWIST PER FT. AS PER WIRE CHART.
- ALL CONNECTIONS TO TB2 ARE TO BE MADE FROM SIDE INDICATED BY ARROW.
- USE TIE WRAPS (ITEM 30) AS NEEDED.
- T1 PRIMARY WIRES TO TB2 MUST BE ROUTED BY ITEM 4.
- NO CONNECTION IS MADE AT THIS ASSY LEVEL. REFER TO PRINT E-UM-H777-0-0

SEE NOTE 2  
SEE DETAIL 'E'

SEE NOTE 2  
SEE DETAIL 'C'

\* INDICATES SOLDER CONN. SHARED WITH OTHER CONN. WITH SAME COMMON CONN.

TB2 TOP TO BE KNOWN AS HAND SIDE (H). BOTTOM TO BE KNOWN AS SOLDER SIDE (S)



REV.	DATE	BY	CHKD.	APP'D.	DESCRIPTION
1					ORIGINAL
2					REVISED
3					REVISED
4					REVISED
5					REVISED
6					REVISED
7					REVISED
8					REVISED
9					REVISED
10					REVISED
11					REVISED
12					REVISED
13					REVISED
14					REVISED
15					REVISED
16					REVISED
17					REVISED
18					REVISED
19					REVISED
20					REVISED
21					REVISED
22					REVISED
23					REVISED
24					REVISED
25					REVISED
26					REVISED
27					REVISED
28					REVISED
29					REVISED
30					REVISED
31					REVISED
32					REVISED
33					REVISED
34					REVISED
35					REVISED
36					REVISED
37					REVISED
38					REVISED
39					REVISED
40					REVISED
41					REVISED
42					REVISED
43					REVISED
44					REVISED
45					REVISED
46					REVISED
47					REVISED
48					REVISED
49					REVISED
50					REVISED
51					REVISED
52					REVISED
53					REVISED
54					REVISED
55					REVISED
56					REVISED
57					REVISED
58					REVISED
59					REVISED
60					REVISED
61					REVISED
62					REVISED
63					REVISED
64					REVISED
65					REVISED
66					REVISED
67					REVISED
68					REVISED
69					REVISED
70					REVISED
71					REVISED
72					REVISED
73					REVISED
74					REVISED
75					REVISED
76					REVISED
77					REVISED
78					REVISED
79					REVISED
80					REVISED
81					REVISED
82					REVISED
83					REVISED
84					REVISED
85					REVISED
86					REVISED
87					REVISED
88					REVISED
89					REVISED
90					REVISED
91					REVISED
92					REVISED
93					REVISED
94					REVISED
95					REVISED
96					REVISED
97					REVISED
98					REVISED
99					REVISED
100					REVISED

OFF SHEET PARTS LIST SEE A-PL-7012910-0-0

DESCRIPTION	DWG/PART NO.	ITEM NO.
UNLESS OTHERWISE SPECIFIED DIMENSIONS ARE IN INCHES		
ANGLES	± 30'	
SURFACE QUALITY	IN	
QUANTITY & VARIATION		
THIRD ANGLE PROJECTION		
MATERIAL		
FINISH		

DRW: *[Signature]* CHK'D: *[Signature]* ENG: *[Signature]* PROD: *[Signature]* NEXT NUMBER ASSY: *[Signature]*

FIRST USED ON: H777-C9D

TITLE: A/C INPUT ASSY (120V/230V)

SCALE: 1/1/1

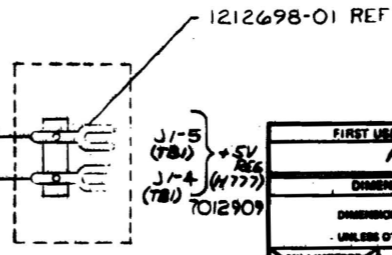
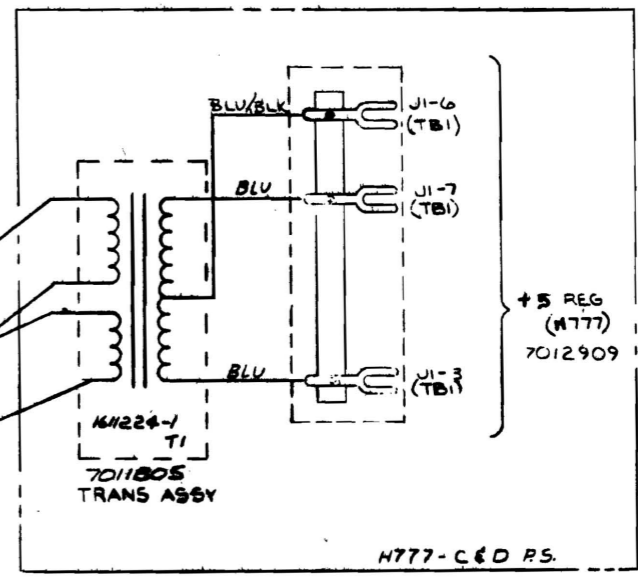
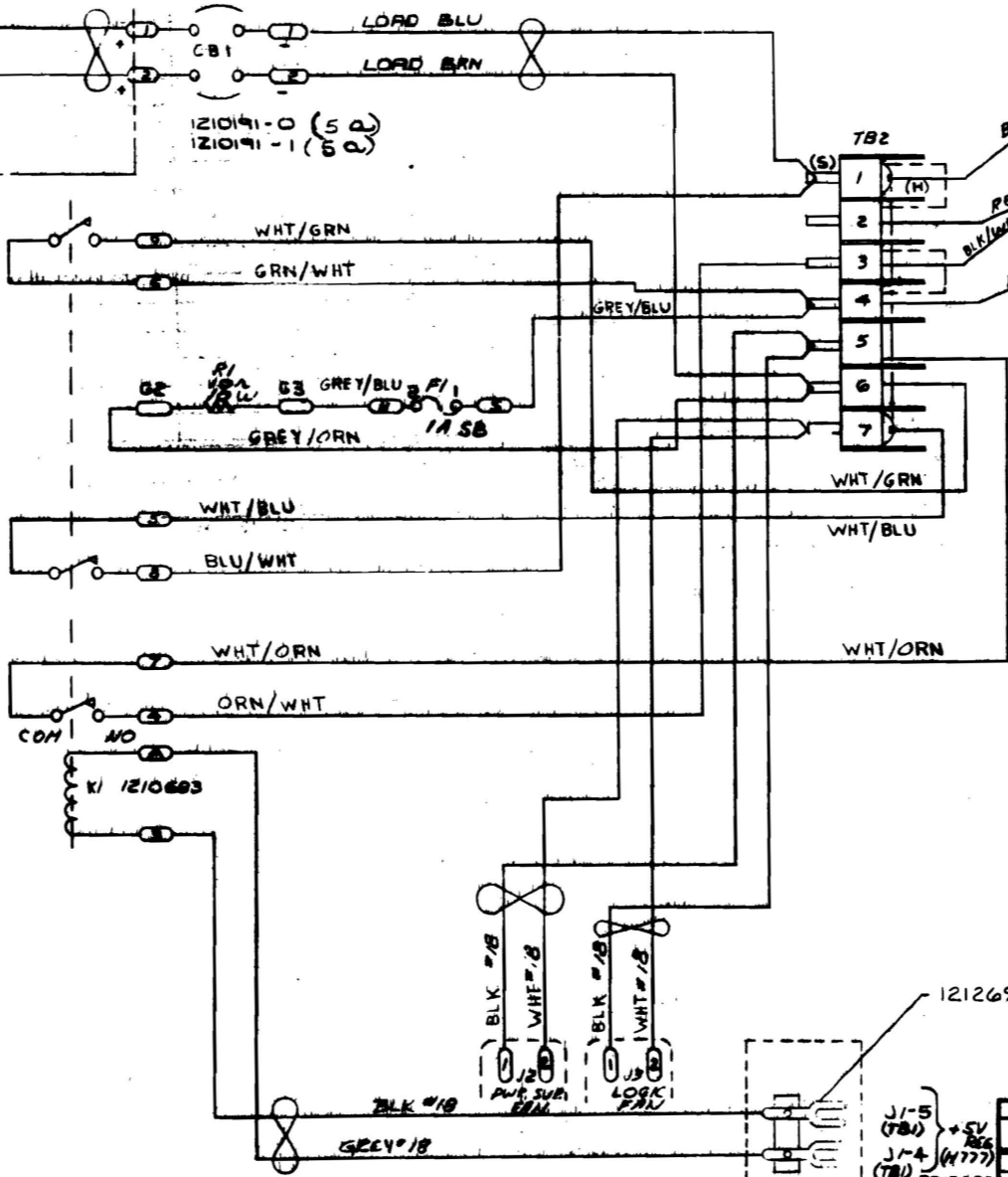
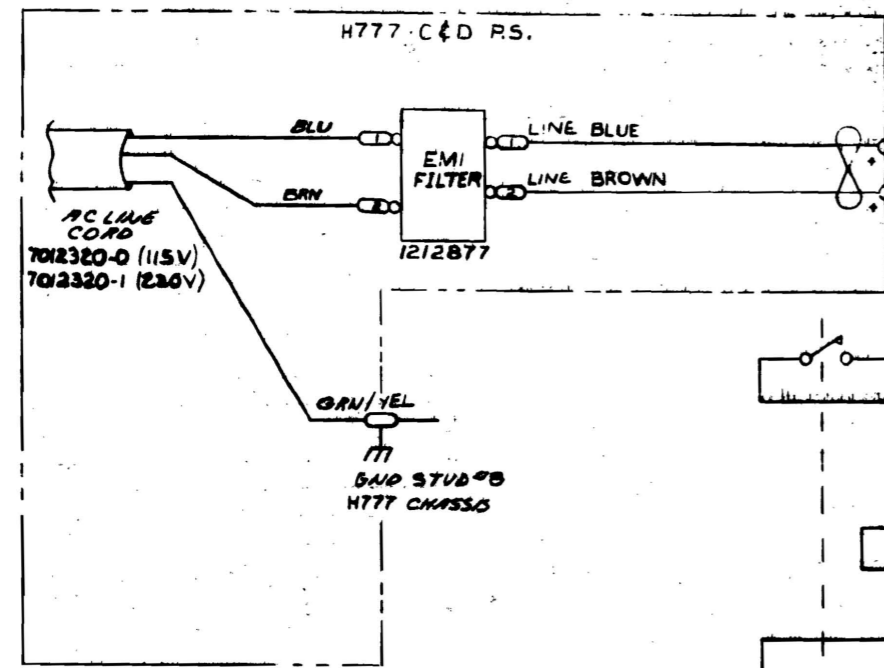
SHEET 1 OF 2

SIZE: D AD 7012910-0-0

NUMBER: 1

REV: 4

"THE BUYER AND SUPPLIER SHALL AGREE THE PROPERTY OF DESIGN, DRAWING, SPECIFICATIONS AND SHALL NOT BE REPRODUCED OR COPIED IN WHOLE OR IN PART AS THE BASIS FOR THE MANUFACTURE OR SALE OF THIS EQUIPMENT WITHOUT PERMISSION OF THE BUYER."  
 116



REV.	CHANGE NO.	REVISIONS

FIRST USED ON OPTION/MODEL H777-C&D		QTY.	DESCRIPTION	PART NO.	ITEM NO.
DIMENSIONAL TOLERANCE		PARTS LIST			
DIMENSIONS ARE UNLESS OTHERWISE SPECIFIED					
TITLE A/C INPUT ASSY (120/230V)		DATE 29 MAY 76 DATE 2 AUG 76 DATE 15 SEP 76 DATE 14 OCT 76			
DRAWN BY R. H. HARRIS		NUMBER D AD 7012910-0-0			
FINISH		SCALE SHEET 2 OF 2			

D AD 7012910-0-0

DIGITAL EQUIPMENT CORPORATION MAYNARD, MASSACHUSETTS			QUANTITY / VARIATION	
PARTS LIST			7012910-0	7012910-1
MADE BY <i>R. Barry</i>	CHECKED D. HEALY	SECTION 1		
DATE 19 JUL 76	DATE 27 JUL 76	ISSUED SECT. 1		
ENG R. Barry	PROD R.B. King			
DATE 9-17-76	DATE 21 SEPT 76			
ITEM NO.	DWG NO. / PART NO.	DESCRIPTION		
1	C-IA-7011805-0-0	TRANSFORMER ASSY.	1	1
2	9006037-01	SCR PHIL PAN HD #6 - 32 x .36	2	2
3	9006634	WASHER INT. TOOTH LOCK #6	2	2
4	9007035	GROMMET CATERPILLAR	A/R/R	
5	1210683-00	RELAY 12V 3P 10A	1	1
6	9006020-01	SCR PHIL HD PAN #6-32 x .35	4	4
7	9006633	WASHER INT. TOOTH LOCK #6	10	10
8	9006842	WASHER HEX #6 - 32 x .31	2	2
9	9007794-01	SCR PHIL HD PAN #6 - 32 x .69	2	2
10	9006021-01	SCR PHIL HD PAN #6 - 32 x .31	2	2
11	1212789	SOCKET, RELAY	1	1
12	1210191-4	CIRCUIT BREAKER, 6A	1	1
13	1300173	RESISTOR, 10 OHM, 10W	1	1
14	9006966	TERMINAL TURNUT INS	2	2
15	9107430-09	WIRE #18 AWG INS TW/PR (WHT/BLK)	A/R/R	
16	9009771-2	CLAMP (RESISTOR) 3/8 I.D. SELF ADH.	1	1
17	1212893-00	HOLDER, FUSE 20A, 300V	1	1
18	D-IA-7417219-0-0	BRACKET, COMPONENT	1	1
19	1212788	BARRIER STRIP 7 POS	1	1
20	B-IA-7414743-1-0	SHIELD, TERM.	1	1
21	9008264	MOUNT TIE WRAP	1	1
22	9107410-39	WIRE #18 AWG INS ORN/WHT	A/R/R	

TITLE	ASSY NO.	SIZE CODE	NUMBER	REV.	ECO NO.
A/C INPUT ASSY (120V/230V)	D-AD-7012910-0-0	A PL	7012910-0-0	M	1000
	SHEET 1 OF 3	DIST.			

DEC FORM DEC 16 (325)-1031-N870  
DRA 110

DIGITAL EQUIPMENT CORPORATION MAYNARD, MASSACHUSETTS			QUANTITY / VARIATION	
PARTS LIST			7012910-0	7012910-1
MADE BY A. ROCHA	CHECKED D. HEALY	SECTION 1		
DATE 19-JULY-76	DATE 27-JULY-76	ISSUED SECT. 1		
ENG R. BARRY	PROD R.B. KING			
DATE 17-SEPT-76	DATE 21-SEPT-76			
ITEM NO.	DWG NO. / PART NO.	DESCRIPTION		
45	C-IA-7417288-0-0	A/C CONN HARNESS	1	1
46	9107410-83	WIRE #18 AWG INS GREY/ORN	A/R/R	
47	9107410-86	WIRE #18 AWG INS GREY/BLU	A/R/R	
48	9107410-69	WIRE #18 AWG INS BLU/WHT	A/R/R	
49	9107410-96	WIRE #18 AWG INS WHT/BLU	A/R/R	

TITLE	ASSY NO.	SIZE CODE	NUMBER	REV.	ECO NO.
A/C INPUT ASSY (120V/230V)	D-AD-7012910-0-0	A PL	7012910-0-0	M	1000
	SHEET 3 OF 3	DIST.			

DEC FORM DEC 16 (325)-1031-N870  
DRA 110

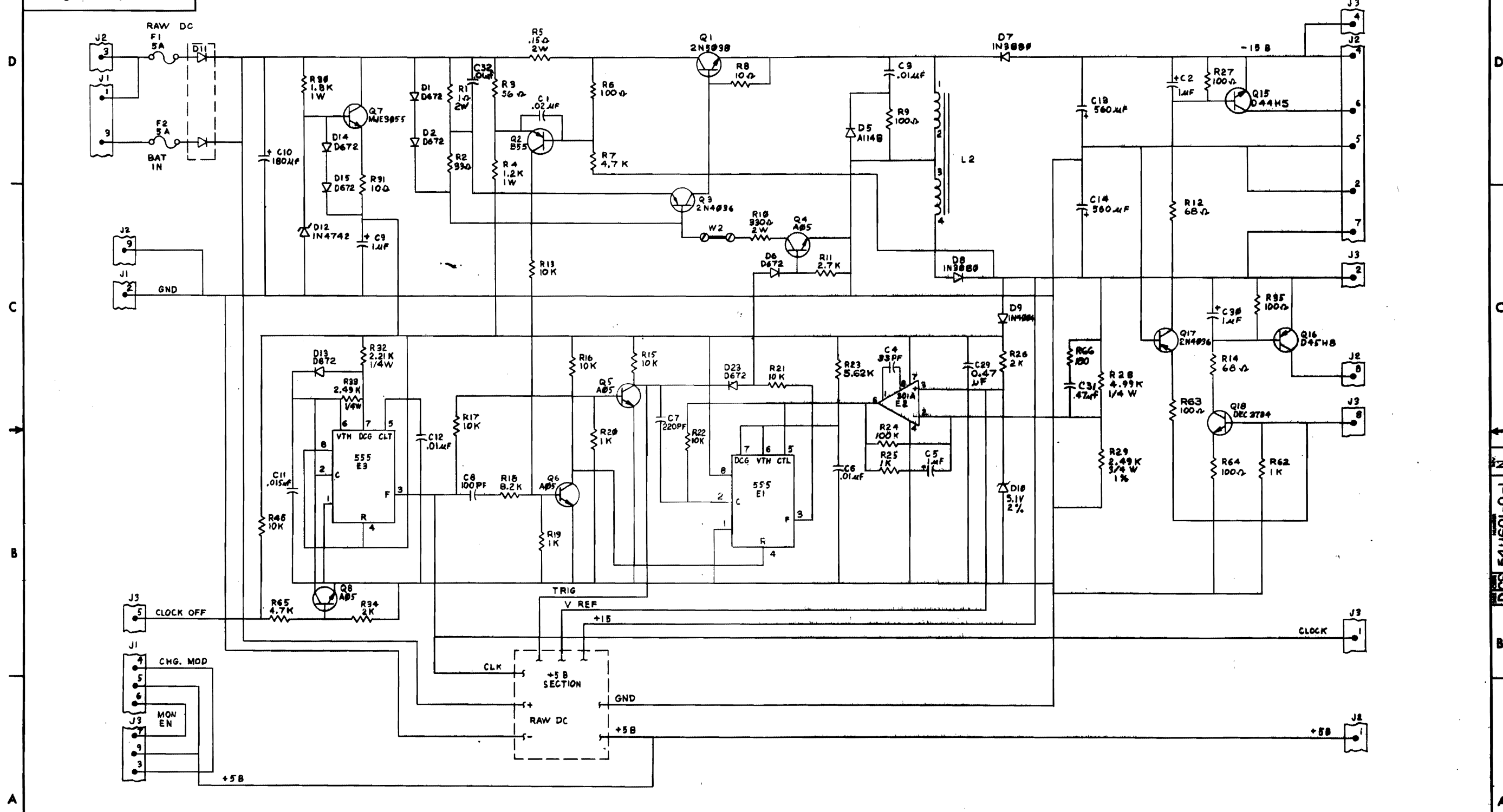
DIGITAL EQUIPMENT CORPORATION MAYNARD, MASSACHUSETTS			QUANTITY / VARIATION	
PARTS LIST			7012910-0	7012910-1
MADE BY <i>R. Barry</i>	CHECKED D. HEALY	SECTION 1		
DATE 19 JULY 76	DATE 27 JUL 76	ISSUED SECT. 1		
ENG R. Barry	PROD R.B. King			
DATE 9-17-76	DATE 21 SEPT 76			
ITEM NO.	DWG NO. / PART NO.	DESCRIPTION		
23	9107410-59	WIRE 18 AWG INS GRN/WHT	A/R/R	
24	9107410-93	WIRE 18 AWG INS WHT/GRN	A/R/R	
25	9007929	RING CRIMP (RED INS)	2	2
26	9107410-95	WIRE 18 AWG INS WHT/GRN	A/R/R	
27	9107430-08	WIRE 18 AWG INS (GRY/BLK) TW/PR	A/R/R	
28	9007970	CONN FASTON (RED INS.)	2	2
29	<del>9008264</del>	<del>MOUNT TIE WRAP</del>	<del>1</del>	<del>1</del>
30	1210820-2	HOUSING TERM. FASTAB	4	4
31	9107305-02	TUBING SHRINK (RED)	A/R/R	
32	1210820-1	HOUSING SOCKET, FASTAB	4	4
33	9107278-02	TUBING INS (RED)	A/R/R	
34	9008020-02	SCR. PHIL. FLAT HD. 6 - 32 x .19	2	2
35	B-IA-7011797-0-0	JUMPER ASSY (BLK 2")	1	1
36	B-IA-7011798-0-0	JUMPER ASSY (WHT 2")	1	1
37	9007786	NUT #10 - 32	4	4
38	9007031	TIE WRAP	A/R/R	
39	<del>9008264</del>	<del>MOUNT TIE WRAP</del>	<del>1</del>	<del>1</del>
40	9007212	FUSE, 1A, 250V, S.B.	1	1
41	<del>9008264</del>	<del>MOUNT TIE WRAP</del>	<del>1</del>	<del>1</del>
42	1212698-01	STRIP, PUNCHING (2 POSITION)	1	1
43	9107430-16	WIRE #18 AWG INSTWP BRN, BLU	A/R/R	
44	9006656	WASHER, FLAT	2	2

TITLE	ASSY NO.	SIZE CODE	NUMBER	REV.	ECO NO.
A/C INPUT ASSY (120V/230V)	D-AD-7012910-0-0	A PL	7012910-0-0	M	1000
	SHEET 2 OF 3	DIST.			

DEC FORM DEC 16 (325) 1031 N870  
DRA 110



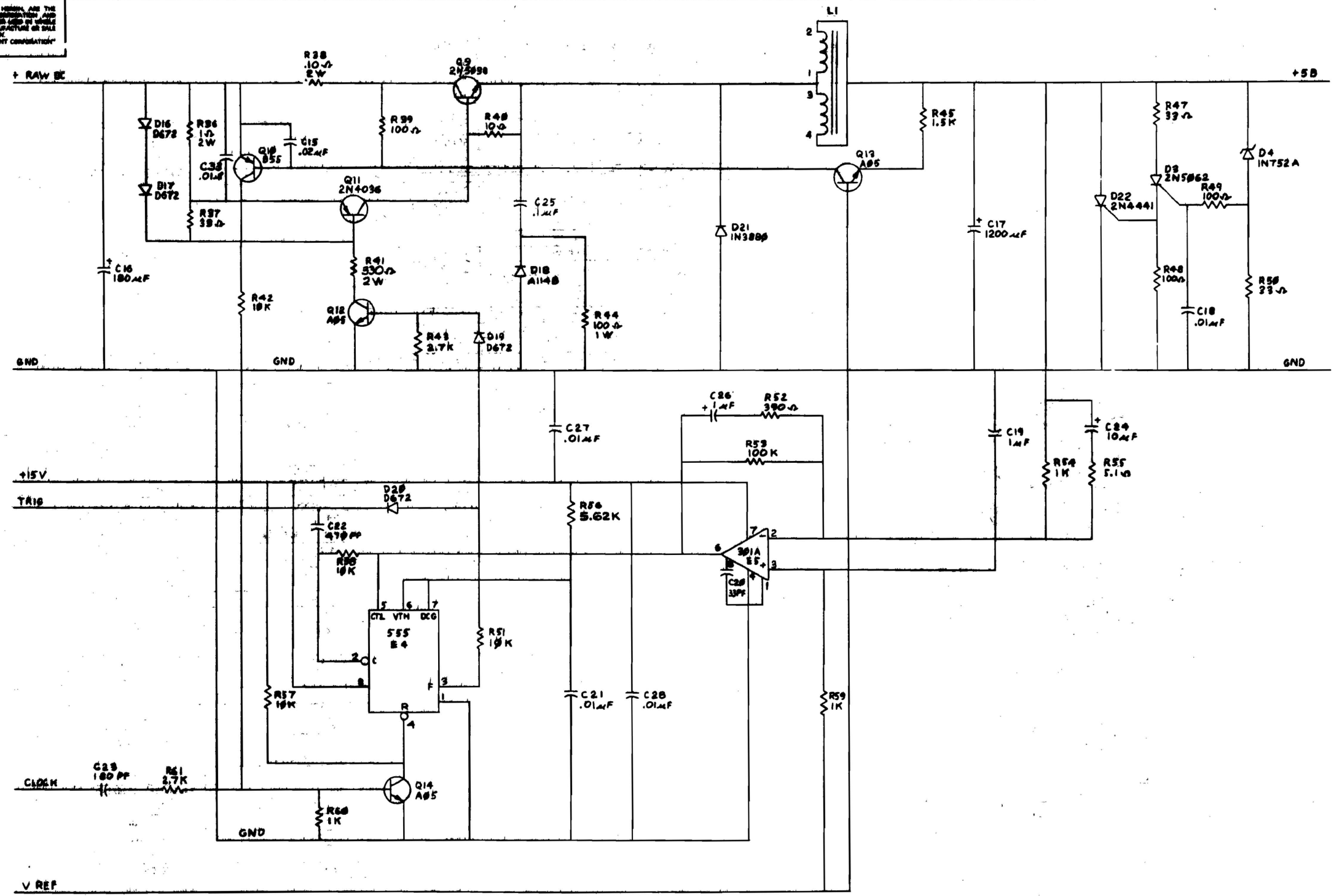
THIS DRAWING AND SPECIFICATIONS, HEREIN, ARE THE PROPERTY OF DIGITAL EQUIPMENT CORPORATION AND SHALL NOT BE REPRODUCED OR COPIED OR USED IN WHOLE OR IN PART AS THE BASIS FOR THE MANUFACTURE OR SALE OF ITEMS WITHOUT WRITTEN PERMISSION. COPYRIGHT © 1975 DIGITAL EQUIPMENT CORPORATION



REVISIONS		
CHK	CHANGE NO.	REV.

TITLE	MOS REGULATOR H777	SIZE/COOD	DCS 5411601-0-1	NUMBER		REV.	N
SCALE		SHEET	2 OF 5	DIST.			

THIS DRAWING AND SPECIFICATIONS HEREON ARE THE PROPERTY OF DIGITAL EQUIPMENT CORPORATION AND SHALL NOT BE REPRODUCED OR COPIED IN WHOLE OR IN PART AS THE BASIS FOR THE MANUFACTURE OR SALE OF ITEMS WITHOUT WRITTEN PERMISSION. COPYRIGHT © 1975 DIGITAL EQUIPMENT CORPORATION



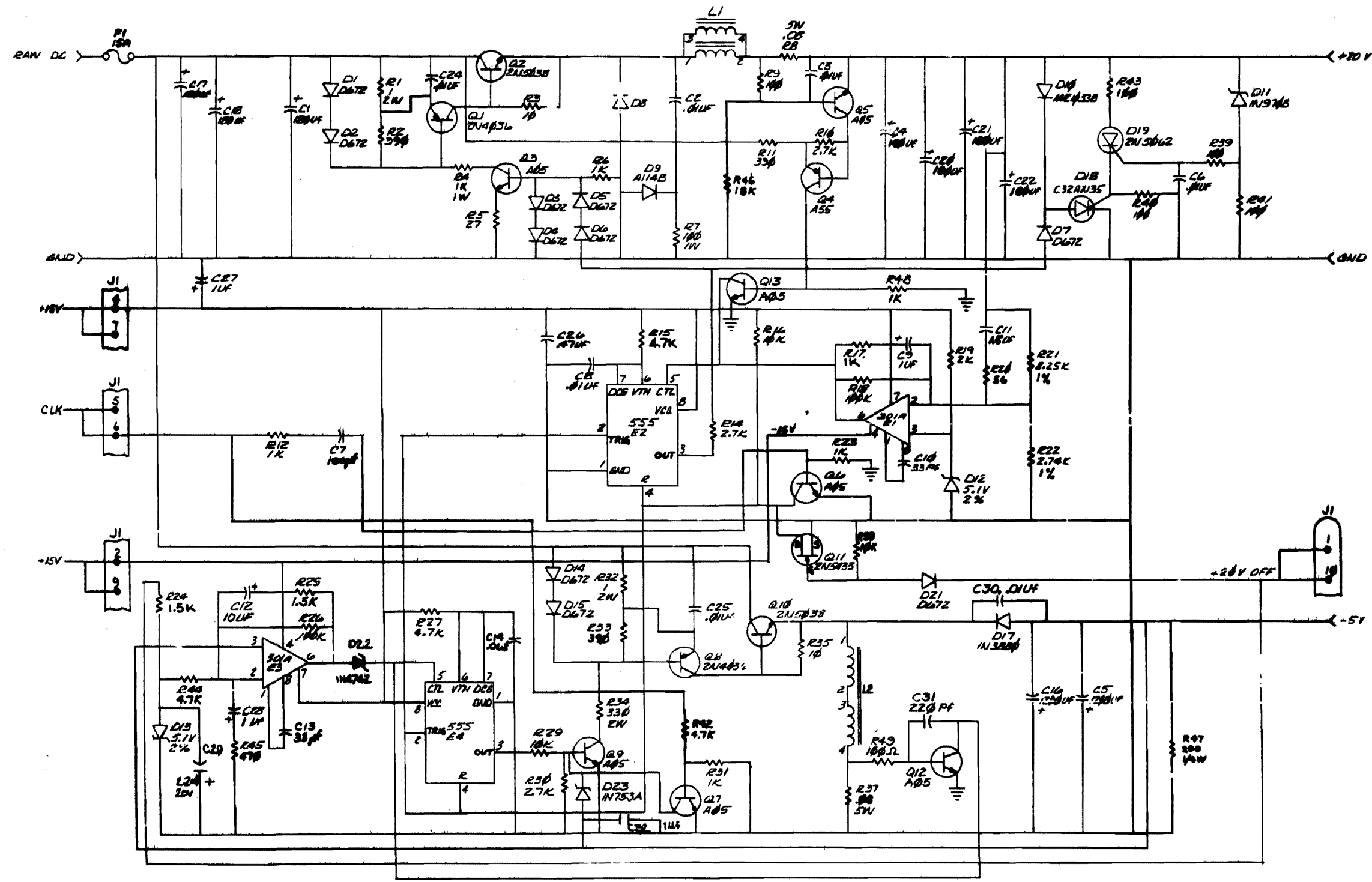
REVISIONS		
CHK	CHANGE NO.	REV.

TITLE	SIZE/COOD	NUMBER	REV
MOS REGULATOR H777	D CS	5411601-0-1	N
SCALE	SHEET	OF	DIST.
77	3	3	

D CS 5411601-0-1 N



REGULATOR



REV	DESCRIPTION	DATE

TITLE +20V  
REGULATOR/H777  
D CS 5411599-0-1  
SCALE 1/1 SHEET 1 OF 2