

**RK11-D  
disk drive controller  
engineering drawings**

**digital equipment corporation • maynard, massachusetts**

**KPCL 79/64105  
SHELL P8045**

**CUSTOMER PRINT SET INDEX**

THIS IS PRINT SET

SEQUENCE		SEQUENCE	
MODULE UTILIZATION	D-MU-RK11-D-1		
PARTS LIST	A-PL-RK11-D-1		
STATUS CONTROL	D-CS-M7254-0-1		
DISK CONTROL	D-CS-M7255-0-1		
DATA PATHS	D-CS-M7256-0-1		
BUS CONTROL	D-CS-M7257-0-1		
BACK PANEL INTERCONNECTION	D-IC-RK11-D-3		
RK11-D FUNCTION FLOWS	D-FD-RK11-D-9		
ETCH BACK PANEL	D-CS-5410185-0-1		
UNIT ASSEMBLE	D-UA-RK11-0-0		
WIRED ASSEMBLY	C-IA-7009142-0-0		
BUS TERMINATOR	A-PL-M930-0-0		
OPTION HARNESS	D-IA-7009559-C-0 (SEE NOTE)		
RK05 OPTION CONFIGURATION	D-OC-RK05-0-15		
MAINTENANCE MODULE	A-SS-5509081-0-11		
ACCESSORY LIST	A-AL-RK11-D-6		
SOFTWARE LIST	A-SL-RK11-D-7		
ETCH/WIRE LIST	K-WL-RK11-D-2		
AWT REVISION STATUS	A-WT-7009142-0		

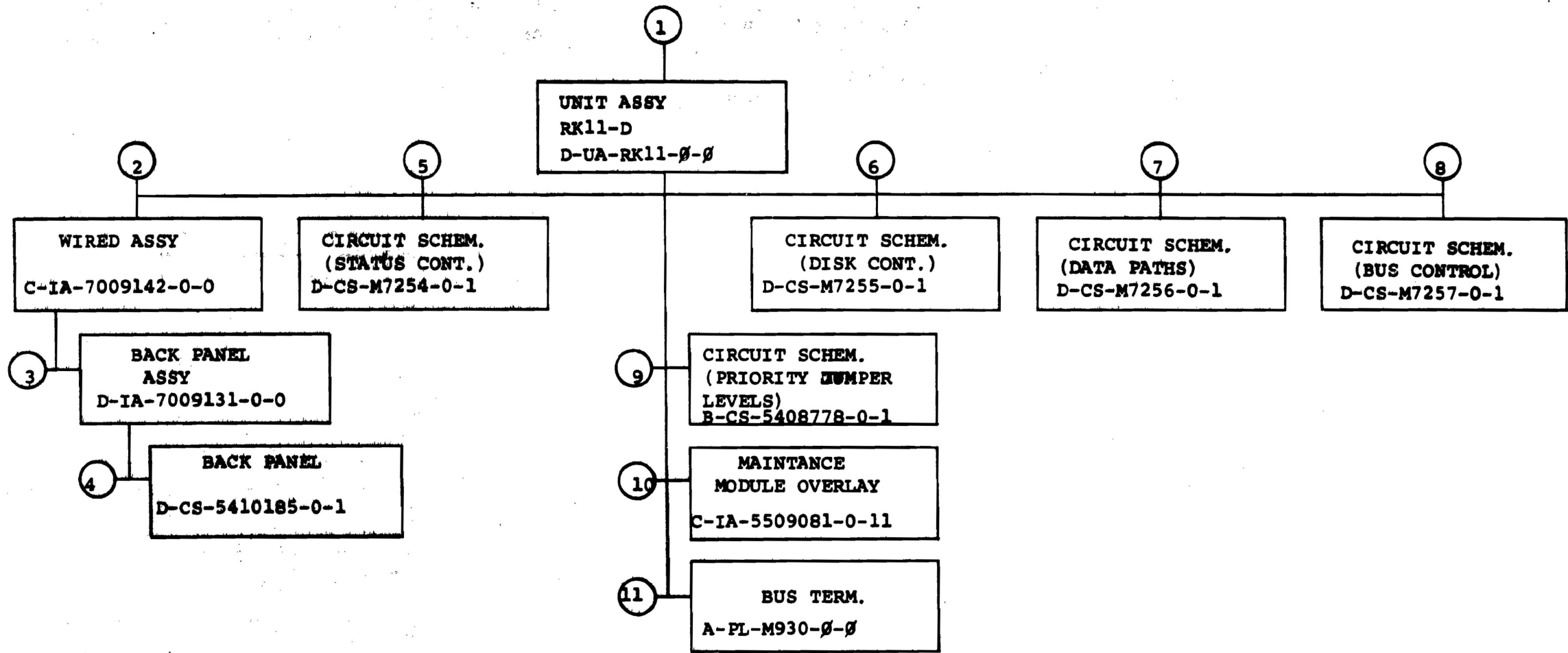
UNIT VARIATIONS		PRINT SET		
VAR	TITLE			
		1	2	3
RK11-D	DISK CONTROL	X		
RK11-E	DISK CONTROL	X		
RK11-DE	RK11-D, RK05-DE (TALL CAB, 861, 115V, 60HZ)	X		
RK11-DF	RK11-D, RK05-DF (TALL CAB, 861, 230V, 60HZ)	X		
RK11-DH	RK11-D, RK05-DH (TALL CAB, 861, 115V, 50 HZ)	X		
RK11-DJ	RK11-D, RK05-DJ (TALL CAB, 861, 230V, 50 HZ)	X		
RK11J-DE	RK11-D RK05J DE	X		
RK11J DF	RK11-D RK05J DF	X		
RK11J-DH	RK11-D RK05J-DH	X		
RK11J-DJ	RK11-D RK05J-DJ	X		
RK11J-DK	RK11-D RK05J-DK	X		
RK11J-DL	RK11-D RK05J-DL	X		
RK11J-DM	RK11-D RK05J-DM	X		
RK11J-DN	RK11-D RK05J-DN	X		

NOTE: USE RK11-D OPTION HARNESS 7009559 IN 11/40 SYSTEMS WITH S/N GREATER THAN 6000 AND 11/45 SYSTEMS WITH S/N GREATER THAN 2000. OLDER MACHINES REQUIRE RK11-D POWER HARNESS 7008992.

PDP11/15 AND PDP11/20 SYSTEM AND BA11-ES BOXES USE NO POWER HARNESS OTHER THAN THAT SUPPLIED INTERNAL TO THE BOX. BA11-D BOXES REQUIRE RK11-D POWER HARNESS 7008992.

REVISIONS							USED ON OPTION/MODEL		DRG. E. WILSON 12-72		DATE		TITLE		REV R
DATE	CHG. NO.	REV													
3-74	RK11D-14	K													
4-74	RK11D-15	L													
5-74	RK11D-16	M													
7-75	RK11D-17	N													
10-75	RK11D-18	P													
10-76	RK11D-19	R													

DEC 14 1973 10:05 AM



TITLE	DISK CONTROL	SHEET 2 OF 4	SIZE CODE	B DD	NUMBER	RK11-D	REV	R
-------	--------------	--------------	-----------	------	--------	--------	-----	---

ELECTRICAL						ELECTRICAL									
CUSTOMER PRINT SET	INFO SET	FIND NO.	DRAWING NO.	REV	NO OF SHT	DESCRIPTION	OPTION NO./FILE DATE	CUSTOMER PRINT SET	INFO SET	FIND NO.	DRAWING NO.	REV	NO OF SHT	DESCRIPTION	OPTION NO./FILE DATE
X		1	D-UA-RK11-0-0	C	1	UNIT ASSY (RK11-D)		X		8	D-CS-M7257-0-1	#	6	CIRCUIT SCHEMATIC (BUS CONT.)	
X			D-MU-RK11-D-1	#	1	MODULE UTILIZATION (RK11-D)					K-CO-M7257-0-4		1	X-Y COORDINATE HOLE LOCATION	
X			A-PL-RK11-D-1	#	1	MODULE UTILIZATION (RK11-D) PL					D-AH-M7257-0-5		1	ASSY DRILLING HOLE LOCATION	
			D-IA-7008992-0-0		1	POWER HARNESS (REF)					B-MH-M7257-0-6		1	MODULE ECO HISTORY	
X			D-IC-RK11-D-3	C	4	BACK PANEL INTERCONNECTION									
X			D-IA-7009559-0-0	#	1	OPTION HARNESS									
X		2	C-IA-7009142-0-0	B	1	WIRED ASSY (RK11-D)									
		3	D-IA-7009131-0-0		1	BACK PANEL									
X		4	D-CS-5410185-0-1	#	1	CIRCUIT SCHEMATIC (BACKPANEL)		X			D-OC-RK11-0-15	#		RK11 OPTION CONFIGURATION (REF)	
			K-CO-5410185-0-4		1	X-Y COORDINATE HOLE LOCATION									
			E-AH-5410185-0-5		1	ASSY DRILLING HOLE LOCATION									
			B-MH-5410185-0-6		1	MODULE ECO HISTORY									
C			K-WL-RK11-D-2	#	1	ETCH/WIRE LIST (RK11-D)		X		11	A-PL-M930-0-0	#		BUS TERMINATOR	
X			A-WT-7009142-0	H	1	AWT REVISION STATUS									
X		5	D-CS-M7254-0-1	#	6	CIRCUIT SCHEMATIC (STATUS CONF)									
			K-CO-M7254-0-4		1	X-Y COORDINATE HOLE LOCATION									
			D-AH-M7254-0-5		1	ASSY DRILLING HOLE LOCATION									
			B-MH-M7254-0-6		1	MODULE ECO HISTORY		X		12	A-SP-RK11-D-4	A	10	RK11-D ENGINEERING SPECS	
								X			A-SP-RK11-D-5	A	5	RK11-D CHECK OUT PROCEDURE	
								X			A-AL-RK11-D-6	#	1	RK11-D ACCESSORY LIST	
								X			A-PL-RK11-D-7	A	1	RK11-D SOFTWARE LIST	
								X			A-SP-RK11-D-8	A	4	RK11-D ACCEPTANCE PROCEDURE	
								X			D-FD-RK11-D-9	#	5	RK11-D,E FUNCTION FLOWS	
											B-DD-RK11-TA			RK11-D,E TESTER	
											A-SP-RK11-D-2		23	DISK SYSTEM MANUFACTURING PROCEDURES (REF)	
X		7	B-CS-M7256-0-1	#	7	CIRCUIT SCHEMATIC (DATA PATHS)									
			K-CO-M7256-0-4		1	X-Y COORDINATE HOLE LOCATION									
			D-AH-M7256-0-5		1	ASSY DRILLING HOLE LOCATION									
			B-MH-M7256-0-6		1	MODULE ECO HISTORY									

CUSTOMER PRINT SET CODES

X = PRINT OF DOCUMENT INCLUDED IN PRINT SET  
 C = INCLUDES ALL PRINTS INDICATED ON DOCUMENT  
 S = CONFIDENTIAL AUTHORIZED SIGNATURE REQUIRED

# = PRINT OF DOCUMENT IS LATEST REVISION LEVEL

TITLE DISK CONTROL

SHEET 3 OF 4

SIZE CODE B DD

NUMBER RK11-D

REV FM

CUSTOMER PRINT SET		MECHANICAL					CUSTOMER PRINT SET		MECHANICAL						
1	MFG. SET	FIND NO.	DRAWING NO.	REV	NO OF SHT	DESCRIPTION	OPTION NO./FILE DATE	1	MFG. SET	FIND NO.	DRAWING NO.	REV	NO OF SHT	DESCRIPTION	OPTION NO./FILE DATE
		1	D-UA-RK11-0-0	C	1	UNIT ASSY (RK11-D)				8	D-CS-M7257-0-1	#	5	CIRCUIT SCHEMATIC (BUS CONTROL)	
											K-CO-M7257-0-4		1	X-Y COORDINATE HOLE LOCATION	
											D-AH-M7257-0-5		1	ASSY DRILLING HOLE LOCATION	
											B-MH-M7257-0-6		1	MODULE ECO HISTORY	
		2	C-IA-7009142-0-0	B	1	WIRED ASSY (RK11-D)									
		3	D-IA-7009131-0-0	#	1	BACKPANEL									
			E-SC-1209583-0-1		1	CASTING, THREE BLOCK									
			A-SS-7407846-0-0		1	DECAL LOGIC SERIAL NUMBER									
		4	D-CS-5410185-0-1	#	1	CIRCUIT SCHEMATIC (BACKPANEL)									
			K-CO-5410185-0-4		1	X-Y COORDINATE HOLE LOCATION									
			E-AH-5410185-0-5		1	ASSY DRILLING HOLE LOCATION									
			B-MH-5410185-0-6		1	MODULE ECO HISTORY									
		5	D-CS-M7254-0-1	#	5	CIRCUIT SCHEMATIC (STATUS CONT.)									
			K-CO-M7254-0-4		1	X-Y COORDINATE HOLE LOCATION									
			D-AH-M7254-0-5		1	ASSY DRILLING HOLE LOCATION									
			B-MH-M7254-0-6		1	MODULE ECO HISTORY									
		6	D-CS-M7255-0-1	#	6	CIRCUIT SCHEMATIC (DISK CONT.)									
			K-CO-M7255-0-4		1	X-Y COORDINATE HOLE LOCATION									
			D-AH-M7255-0-5		1	ASSY DRILLING HOLE LOCATION									
			B-MH-M7255-0-6		1	MODULE ECO HISTORY									
		7	D-CS-M7256-0-1	#	6	CIRCUIT SCHEMATIC (DATA PATHS)									
			K-CO-M7256-0-4		1	X-Y COORDINATE HOLE LOCATION									
			D-AH-M7256-0-5		1	ASSY DRILLING HOLE LOCATION									
			B-MH-M7256-0-6		1	MODULE ECO HISTORY									

CUSTOMER PRINT SET CODES  
X = PRINT OF DOCUMENT INCLUDED IN PRINT SET  
C = INCLUDES ALL PRINTS INDICATED ON DOCUMENT  
\$ = CONFIDENTIAL AUTHORIZED SIGNATURE REQUIRED

# = PRINT OF DOCUMENT IS LATEST REVISION LEVEL

TITLE DISK CONTROL

SIZE CODE SHEET 4 OF 4 B DD

NUMBER RK11-D

REV R

This drawing and specifications, herein, are the property of Digital Equipment Corporation and shall not be reproduced or copied or used in whole or in part as the basis for the manufacture or sale of items without written permission.

2 | B-00-RKII-D-1 | 2 |

NOTE:  
 FOR PROPER OPERATION OF RKII-D, THE RKBS DRIVE MUST HAVE AN M7766 REV. J OR LATER AND HAVE A BACK PANEL OF REV. A OR LATER. FOR RKII-E THE RKBS MUST ALSO HAVE A G188 REV. K OR LATER.

4	UNIBUS OUT	M936 TERMINAL BOARD M926 INTERNAL CONNECTOR OR BC11-A CABLE	M7257	BUS
3	POWER CONT.	W138 K.M.I.I.A. MAINTENANCE BOARD (OPTIONAL)	M7256	DATA PATHS CONTROL
2	DISK CABLE	BC11-A	M7255	DISK CABLE
1	UNIBUS IN	M926 INTERNAL CONNECTOR OR BC11-A CABLE	M7254	STATUS CONTROL

REV.	
CHANGE NO.	
DATE	

PARTS USED ON OPTION/MODUL  
 RKII-D

DATE	
BY	
CHKD	
DATE	

QTY.	DESCRIPTION	PART NO.
	MODULE UTILIZATION	B-00-RKII-D
		B-00-RKII-D-1

EQUIPMENT CORPORATION

MODULE UTILIZATION

B-00-RKII-D

B-00-RKII-D-1

**DIGITAL EQUIPMENT CORPORATION**

MAYNARD, MASSACHUSETTS

**PARTS LIST**

**QUANTITY / VARIATION**

MADE BY DATE ENG DATE	LEWIS 9-26-72 <i>[Signature]</i>	CHECKED DATE PROD DATE	<i>[Signature]</i> 12/13/72 R. Doolan 12/13/72	SECTION ISSUED SECT.
--------------------------------	--	---------------------------------	---	-------------------------

ITEM NO.	DWG NO. / PART NO.	DESCRIPTION	QUANTITY / VARIATION												
1	M7254	STATUS CONTROL	1												
2	M7255	DISK CONTROL	1												
3	M7256	DATA PATHS	1												
4	M7257	BUS CONTROL	1												

TITLE MODULE UTILIZATION (RK11-D)	ASSY NO. D-MU-RK11-D-1	SIZE CODE A PL	NUMBER RK11-D-1	REV. ECO NO.
SHEET 1 OF 1		DIST.		

PAGE REVISION CONTROL SHEET

SH NO.	PAGE REVISIONS									
	B	C	D	E	DI	F	D	H	J	
1	B	C	D	E	DI	F	D	H	J	
2	B	C	D	E	DI	F	D	H	J	
3	B	C	D	E	DI	F	D	H	J	
4	B	C	D	E	DI	F	D	H	J	
5	B	C	D	E	DI	F	D	H	J	
6	B	C	D	E	DI	F	D	H	J	

REMARKS

(ST 1)  
 (ST 2)  
 (ST 3)  
 (ST 4)

ETCH REV, "D" NOT TO BE USED.

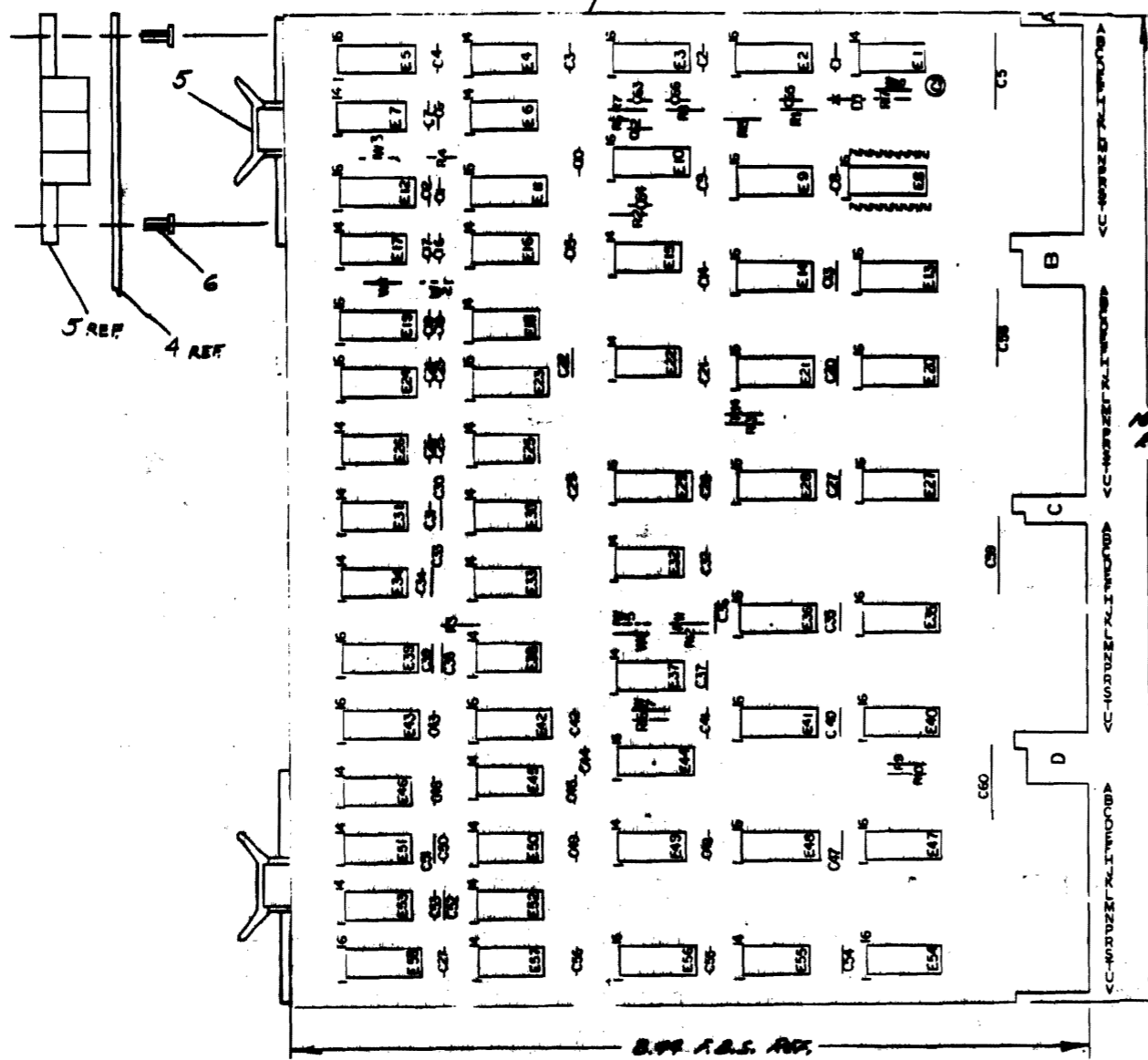
DATE	ENG.	ETCH REV.	ECO NO.
12-11-72	D.S.	C	00001
2-16-73	TD	C	00002
6-5-73	TD	E	00003
10-10-73	TD	C	00004
10-10-73	TD	E	00004
5-30-74	TD	C	00005
5-30-74	TD	E	00005
7-18-74	Red	E	00006

FIRST USED ON OPTION/MODEL  
 RK11-D

"THE DRAWING AND SPECIFICATIONS, HEREIN, ARE THE PROPERTY OF DIGITAL EQUIPMENT CORPORATION AND SHALL NOT BE REPRODUCED OR COPIED OR USED IN WHOLE OR IN PART AS THE BASIS FOR THE MANUFACTURE OR SALE OF ITEMS WITHOUT WRITTEN PERMISSION. DIGITAL EQUIPMENT CORPORATION	DRN <i>[Signature]</i> DATE 12-11-72	<b>digital</b> EQUIPMENT CORPORATION MAYNARD MASSACHUSETTS TITLE STATUS CONTROL (RK11-D)
	CHK'D <i>[Signature]</i> DATE 12-11-72	
	ENG. <i>[Signature]</i> DATE 12-11-72	
	PROD. ENG. <i>[Signature]</i> DATE 12-11-72	
PROD. <i>[Signature]</i> DATE 12-11-72	NEXT HIGHER ASSY. B-DD-RK11-D	SIZE B
SCALE 1 OF 6	CODE CS	NUMBER M7254-4-1
SHEET 1 OF 6	DIST.	REV. J

NOTES:  
DIGITAL EQUIPMENT CORPORATION

NOTES:



PIN NOMENCLATURE  
MODULE RK11-D

\* IF NECESSARY USE IC DEC 8875 P/N 1910647  
\* IC DEC 384 P/N 1909486 OR 5384 P/N 1910394 MAY BE SUBSTITUTED FOR 7384 IN E26. E1 MUST BE A 7384

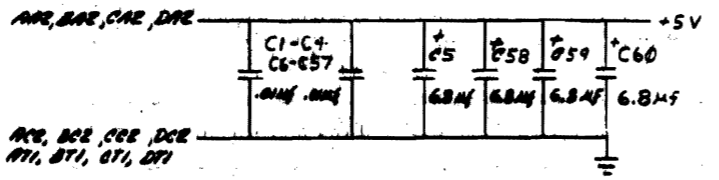
QTY	REF DESIGNATION	DESCRIPTION	PART NO.	ITEM NO.
1	Q1	TRANSISTOR DEC 6534B	1503409-01	50
1	E8	IC SOCKET	1209838	49
4	W1, W4, W6, W7	INSULATED JUMPER 1-2007-1	9009185	48
1	E39	I.C. DEC 7475	1903050	47
2	E23, E41	I.C. DEC 74125	1910651	46
1	E45	I.C. DEC 8815	1909713	45
1	E8	I.C. DEC 74153	1909063	44
2	E17, E52	I.C. DEC 74153	1909062	43
1	E38	I.C. DEC 7408	1910155	42
1	E45	I.C. DEC 74111	1909867	41
3	E21, E27, E28, E29, E40	I.C. DEC 74138	1910015	40
4	E12, E19, E24, E56	I.C. DEC 74161	1910650	39
1	E57	I.C. DEC 74174	1909867	38
3	E1, E7, E37	I.C. DEC 7474	1905597	37
1	E53	I.C. DEC 74152	1909061	36
2	E15, E22	I.C. DEC 7457	1910091	35
2	E1, E26	I.C. DEC 7384	1909993	34
1	E30	I.C. DEC 8881	1909745	33
3	E2, E3, E10	I.C. DEC 74129	1910436	32
3	E9, E42, E44	I.C. DEC 4015	1910087	30
2	E31, E32	I.C. DEC 7420	1905777	29
1	E16	I.C. DEC 7410	1905776	28
3	E18, E34, E49	I.C. DEC 7400	1905525	27
2	E46, E50	I.C. DEC 7402	1909009	26
3	E47, E48, E49, E51, E52, E53, E54	I.C. DEC 74153	1909937	25
1	E11	I.C. DEC 7496	1909363	24
1	E25	I.C. DEC 7427	1910878	23
2	E51, E53	I.C. DEC 7409	1909686	22
1	E43	I.C. DEC 7442	1910096	21
3	R10, R12, R14	RES. 750 Ω 1/4 W 5%	1301401	20
3	R9, R11, R13	RES. 330 Ω 1/4 W 5%	1300245	19
3	R8, R15, R16	RES. 1K Ω 1/4 W 5%	1300365	18
1	R1	RES. 47K Ω 1/4 W 5%	1300877	17
1	R4	RES. 3K Ω 1/4 W 5%	1300482	16
4	R2, R6, R7, R8	RES. 10K Ω 1/4 W 5%	1300979	15
1	R17	RES. 470 Ω 1/4 W 5%	1300316	14
1	D1	DIODE IN748A 3.9V	1100122	13
2	C62, C63	CAP. 47PF 100V 5% D.M.	1000011	12
1	C65	CAP. 870PF 100V 5% D.M.	1001631	11
1	C64	CAP. 56PF 100V 5% D.M.	1000012	10
1	C66	CAP. 120PF 100V 5% D.M.	1000018	9
56	C1-C4, C6-C57	CAP. .01µF 100V 80% 1XIAL	1001610	8
4	C5, C58, C59, C60	CAP. 6.8µF 35V, 10% TANT	1005906	7
8		SOCKET (S-8-7) STANSON	9006782	6
4		HANDLE (RIP-ON) MAGENTA	9008327-06	5
1		ETCHED CIRCUIT BOARD	5009985	4
80		MODULE 800 INSTRUCTIONS	800-112299-0-6	3
80		ASSY/DRAWING HOLE LAYOUT	800-112299-0-5	2
80		X-Y COORDINATE HOLE LOCATION	800-112299-0-7	1

IC TYPE	QTY	PIN
I.C. DEC 74175	8	16
I.C. DEC 74161	8	16
I.C. DEC 7384	1	8
I.C. DEC 4015	8	16
I.C. DEC 7496	12	5
I.C. DEC 74175	8	16
I.C. DEC 74153	8	16
I.C. DEC 74153	8	16
I.C. DEC 74153	18	5
I.C. DEC 74153	8	16
I.C. DEC 74153	8	16

IC PIN LOCATIONS

IC TYPE GND +5V

GND AND 5V ARE USUALLY PIN 7 AND 16, RESPECTIVELY. EXCEPTIONS ARE STATED ABOVE.



FIRST USED ON OPTION MODEL  
RK11-D

REV	DESCRIPTION	DATE
1	INITIAL	12/1/73
2	CHANGE NO. 1	12/1/73
3	CHANGE NO. 2	12/1/73
4	CHANGE NO. 3	12/1/73
5	CHANGE NO. 4	12/1/73
6	CHANGE NO. 5	12/1/73
7	CHANGE NO. 6	12/1/73
8	CHANGE NO. 7	12/1/73
9	CHANGE NO. 8	12/1/73
10	CHANGE NO. 9	12/1/73
11	CHANGE NO. 10	12/1/73
12	CHANGE NO. 11	12/1/73
13	CHANGE NO. 12	12/1/73
14	CHANGE NO. 13	12/1/73
15	CHANGE NO. 14	12/1/73
16	CHANGE NO. 15	12/1/73
17	CHANGE NO. 16	12/1/73
18	CHANGE NO. 17	12/1/73
19	CHANGE NO. 18	12/1/73
20	CHANGE NO. 19	12/1/73
21	CHANGE NO. 20	12/1/73
22	CHANGE NO. 21	12/1/73
23	CHANGE NO. 22	12/1/73
24	CHANGE NO. 23	12/1/73
25	CHANGE NO. 24	12/1/73
26	CHANGE NO. 25	12/1/73
27	CHANGE NO. 26	12/1/73
28	CHANGE NO. 27	12/1/73
29	CHANGE NO. 28	12/1/73
30	CHANGE NO. 29	12/1/73
31	CHANGE NO. 30	12/1/73
32	CHANGE NO. 31	12/1/73
33	CHANGE NO. 32	12/1/73
34	CHANGE NO. 33	12/1/73
35	CHANGE NO. 34	12/1/73
36	CHANGE NO. 35	12/1/73
37	CHANGE NO. 36	12/1/73
38	CHANGE NO. 37	12/1/73
39	CHANGE NO. 38	12/1/73
40	CHANGE NO. 39	12/1/73
41	CHANGE NO. 40	12/1/73
42	CHANGE NO. 41	12/1/73
43	CHANGE NO. 42	12/1/73
44	CHANGE NO. 43	12/1/73
45	CHANGE NO. 44	12/1/73
46	CHANGE NO. 45	12/1/73
47	CHANGE NO. 46	12/1/73
48	CHANGE NO. 47	12/1/73
49	CHANGE NO. 48	12/1/73
50	CHANGE NO. 49	12/1/73
51	CHANGE NO. 50	12/1/73

digital EQUIPMENT CORPORATION  
MAYFIELD MASSACHUSETTS

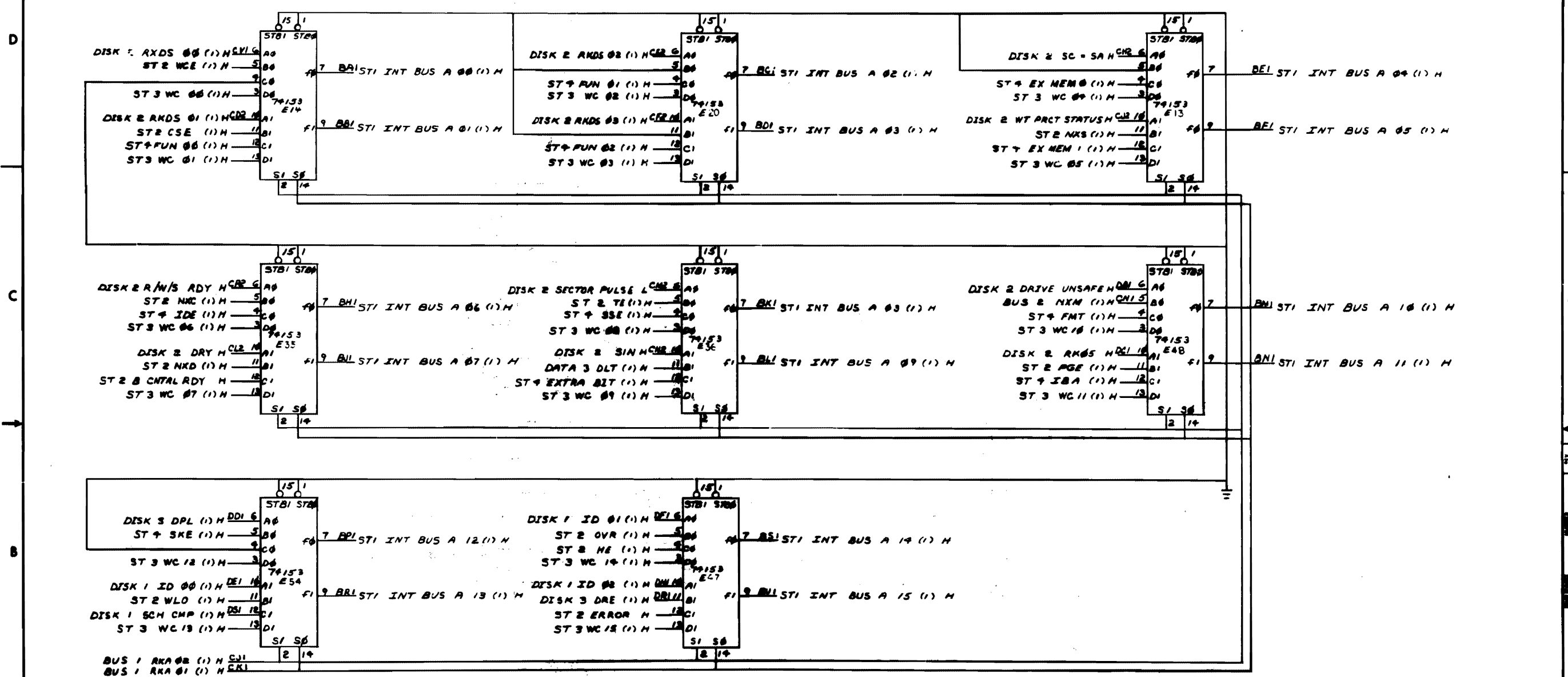
TITLE: STATUS CONTROL  
RK11-D

NUMBER: DCS M7254-0-1  
REV: H

SCALE: NONE

SHEET 2 OF 2

This drawing and specifications, herein, are the property of Digital Equipment Corporation and shall not be reproduced or copied in whole or in part in any form for the manufacture of any of the units without written permission. COPYRIGHT © 1973 DIGITAL EQUIPMENT CORPORATION



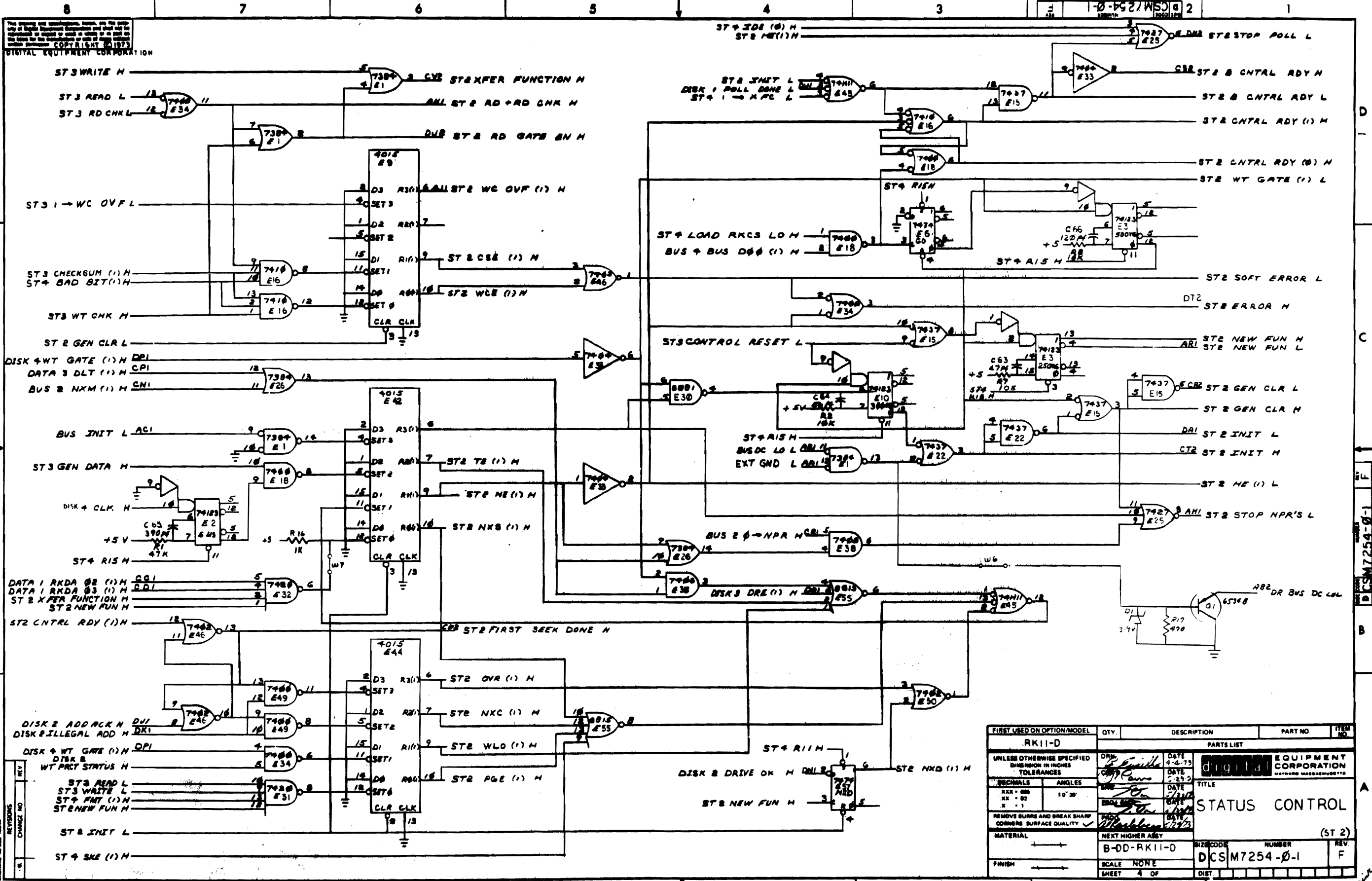
NOTES:  
 1. CUT W3 FOR 16 BIT OPERATION (RK11-D)  
 2. CUT W1 FOR 18 BIT OPERATION (RK11-E)  
 CUT W2 FOR 16 BIT OPERATION (RK11-D)  
 3. CUT W5 FOR NORMAL OPERATION (CHECKS HEADER 16 TIMES BEFORE FLAGGING SEEK ERROR)  
 CUT W4 FOR RK11-C COMPATIBILITY (CHECKS HEADER ONCE)

FIRST USED ON OPT./M/MODEL	QTY.	DESCRIPTION	PART NO.
RK11-D			
PARTS LIST			
UNLESS OTHERWISE SPECIFIED DIMENSIONS IN INCHES		EQUIPMENT CORPORATION	
TOLERANCES		REVISIONS	
DECIMALS	ANGLES	DATE	TITLE
.XX - .00	± 0° 30'	4-9-73	STATUS CONTROL
.X - .1		DATE	
REMOVE BURRS AND BREAK SHARP CORNERS SURFACE QUALITY		DATE	
MATERIAL	NEXT HIGHER ASSY.	DATE	
	B-DD-RK11-D	DATE	
FINISH	SCALE NONE	DATE	
	SHEET 3 OF	DATE	
		DATE	

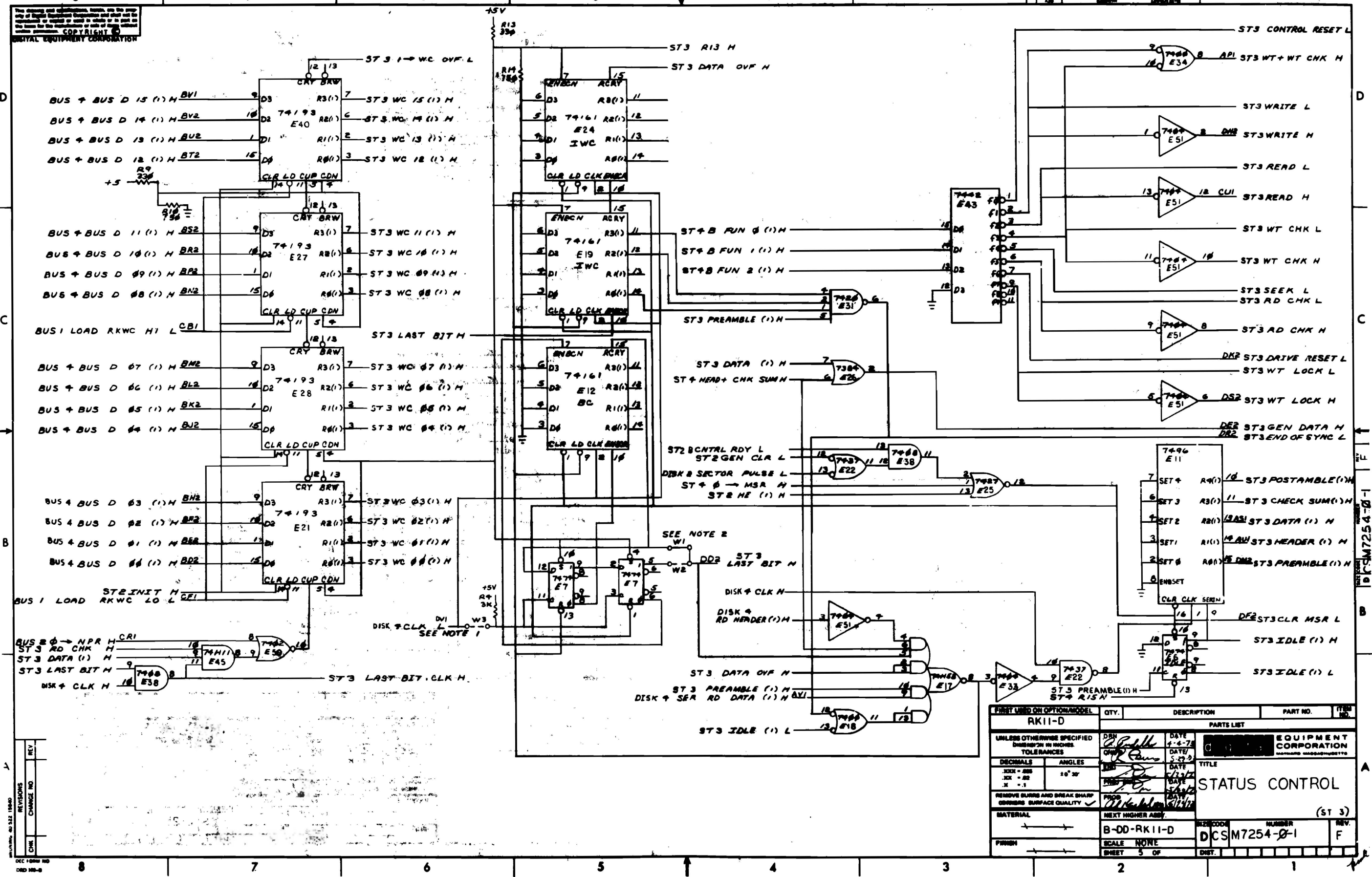
DCS M7254-0-1

This drawing and specifications remain the property of Digital Equipment Corporation and shall not be reproduced in whole or in part or by any means for the manufacture of parts or for any other purpose without the written permission of Digital Equipment Corporation. COPYRIGHT © 1973

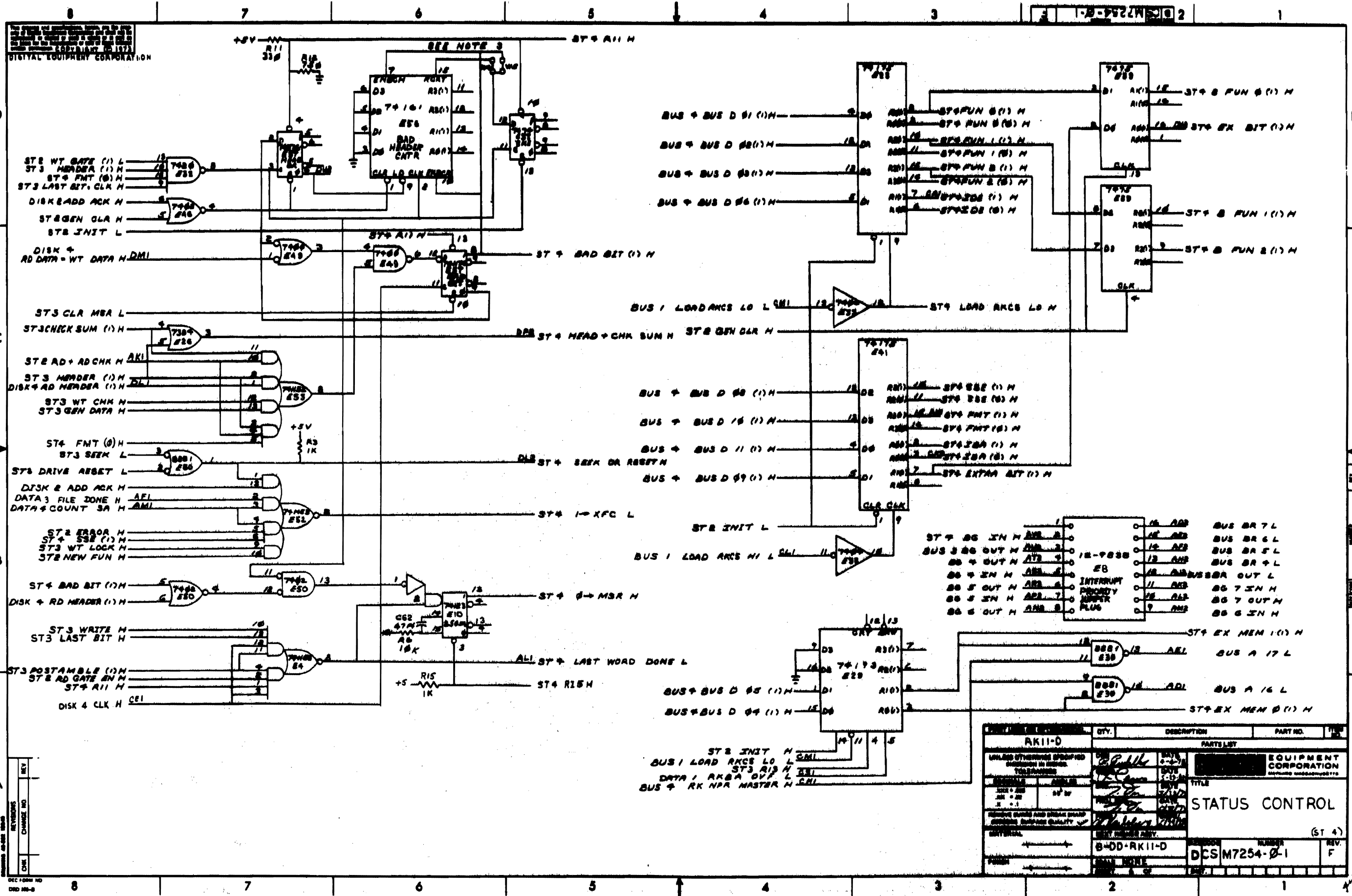
DIGITAL EQUIPMENT CORPORATION



FIRST USED ON OPTION/MODEL	QTY.	DESCRIPTION	PART NO.	ITEM NO.
RK11-D				
UNLESS OTHERWISE SPECIFIED DIMENSIONS IN INCHES TOLERANCES				
DECIMALS		ANGLES		
±.001		±.001		
±.002		±.002		
±.005		±.005		
REMOVE BURRS AND BREAK SHARP CORNERS SURFACE QUALITY				
MATERIAL				
NEXT HIGHER ASSY				
B-DD-RK11-D				
SCALE NONE				
SHEET 4 OF				
PARTS LIST				
TITLE				
STATUS CONTROL (ST 2)				
DCSM7254-0-1				
REV F				



FIRST USED OR OPTIONAL MODEL	QTY.	DESCRIPTION	PART NO.	ITEM NO.
RK11-D				
UNLESS OTHERWISE SPECIFIED DIMENSIONS IN INCHES. TOLERANCES				
DECIMALS	ANGLES	DATE		
.XXX - .005	10° 30'	4-6-75		
.XX - .002		DATE		
.X - .001		5-27-75		
REMOVE BURRS AND BREAK SHARP EDGES SURFACE QUALITY				
MATERIAL	NEXT HIGHER ASSY.	TITLE		
		STATUS CONTROL		
FINISH		SIZE CODE NUMBER		
		B-DD-RK11-D DCS M7254-0-1		
	SCALE NONE	REV.		
	SHEET 5 OF	F		



QTY.	DESCRIPTION	PART NO.	TYP. NO.
1	UNLESS OTHERWISE SPECIFIED		
1	STATUS CONTROL	8-DD-RK11-D	
1		DCS M7254-0-1	

DCS M7254-0-1  
 EQUIPMENT CORPORATION  
 STATUS CONTROL (ST 4)  
 REV. F



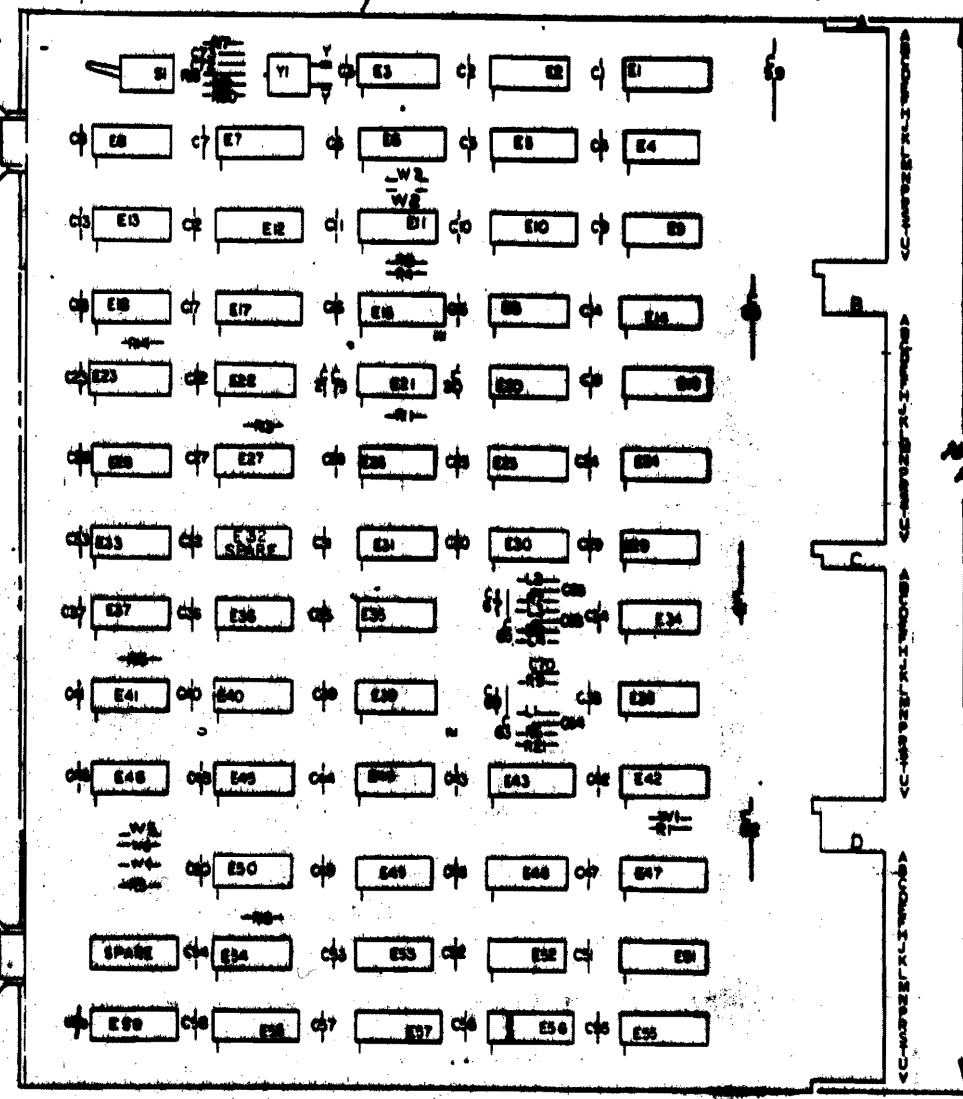
DIGITAL EQUIPMENT CORPORATION  
 EQUIPMENT CORPORATION  
 MADE IN MASSACHUSETTS

**NOTES:**  
 1.) IF 8640'S (ITEM#33) ARE NOT AVAILABLE, USE 11380'S PART NO. 19-11113

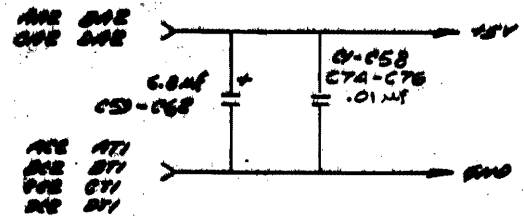
QTY	REF. DESIGNATION	DESCRIPTION	PART NO.	ITEM NO.
1	W1	20 AWG GREEN	9102740-01	1

QTY	REF. DESIGNATION	DESCRIPTION	PART NO.	ITEM NO.
3	W1, W2, W3	INSULATED JUMPER WOOD-1	9009185	53
1	W4	SPLIT LUGS	9006738	52
2	W5	SWAGE LUGS	9007791	51
1	W6	SWITCH FORGGLE SPDT	1810801	50
1	W7	INDUCTOR 100MH, NEMA 103	1810662	49
1	W8	CRYSTAL (SEE TABLE 1)		48
10	E1, E16, E23, E27, E29, E38, E39, E40, E41	I.C. DEC 7474	1905547	47
1	E50	I.C. DEC 74H04	1909931	46
2	E15, E36	I.C. DEC 7408	1910155	45
1	E37	I.C. DEC 314	1909704	44
1	E38	I.C. DEC 74161	1910850	43
1	E31	I.C. DEC 8815	1903718	42
1	E43	I.C. DEC 7472	1910096	41
1	E7	I.C. DEC 7476	1905885	40
1	E6	I.C. DEC 74174	1910682	39
1	E20	I.C. DEC 7482	1905884	38
1	E18	I.C. DEC 74121	1909058	37
1	E35	I.C. DEC 74110	1909060	36
1	E37	I.C. DEC 7480	1905880	35
1	E34	I.C. DEC 8842	1900218	34
6	E20, E21, E22, E23, E24, E25	I.C. DEC 8640	1911469	33
2	E17, E17	I.C. DEC 74158	1910018	32
2	E22, E27	I.C. DEC 74157	1910065	31
1	E27	I.C. DEC 74151	1909286	30
3	E21, E30	I.C. DEC 74125	1906851	29
1	E3	I.C. DEC 380	1912549	28
8	E2, E5, E9, E19, E15	I.C. DEC 8881	1909705	27
				26
1	E35	I.C. DEC 7420	1905577	25
3	E23, E33, E43	I.C. DEC 7410	1905576	24
3	E8, E9, E44	I.C. DEC 7400	1905575	23
3	E8, E10	I.C. DEC 7496	1910363	22
3	E26, E33	I.C. DEC 7404	1909886	21
7	R1, R2, R3, R4, R5, R6, R7	RES. 1/4 W 5%	1300365	20
1	R8	RES. 3K 1/4 W 5%	1300432	19
4	R9-R12	RES. 310R 1/4 W 5%	1305374	18
2	R13, R14	RES. 10K 1/4 W 5%	1300977	17
				16
2	R11, R11	RES. 390R 1/4 W 5%	1300309	15
8	R19, R20	RES. 470R 1/4 W 5%	1300316	14
3	E1, E14, E24	RES. PACK	1311003-Q1	13
2	C78, C79	CAP. 100V 10V 20% DM	1001765	12
4	C65, C67, C67	CAP. 270PF 100V 5% DM	1000082	11
4	C68, C68, C68, C70	CAP. 39PF 100V 5% DM	1000010	10
10	C1, C69, C75, C76	CAP. 0.01UF 100V 20% MAX ML	1000610	9
4	C53-C56	CAP. 6.8UF 35V 10% MAX	1001806	8
				7
8		FRONT (CS-2-7) TERMINAL	9006732	6
5		MINIATURE ALP-010 TERMINAL	9006737-08	5
1		STEEL CURRENT LEAD	9009806	4
1		FRONT AND REAR COVER	9009807-01	3
1		REAR COVER AND BRACKET	9009807-01	2
1		X-Y COORDINATE MARK LOCATOR	9009807-01	1

PIN NOMENCLATURE  
 MODULE RK11-D



I.C. TYPE	QTY	LOC.
I.C. DEC 8640	1	B
I.C. DEC 380	1	B
I.C. DEC 74173	8	16
I.C. DEC 74175	8	16
I.C. DEC 74161	8	16
I.C. DEC 74151	8	15
I.C. DEC 74157	8	15
I.C. DEC 7476	5	12
I.C. DEC 314	1	8
I.C. DEC 7482	11	4
I.C. DEC 74174	8	15
I.C. DEC 7476	5	13
I.C. DEC 7482	8	15
I.C. DEC 74125	8	15
IC TYPE	QTY	+ BV
8640	1	
380	1	
74173	8	
74175	8	
74161	8	
74151	8	
74157	8	
7476	5	
314	1	
7482	11	
74174	8	
7476	5	
7482	8	
74125	8	



ETCH BOARD REV F

DISK CONTROL  
 RK11-D

EQUIPMENT CORPORATION  
 MADE IN MASSACHUSETTS

NUMBER: DCS M7255-0-1  
 REV: K


SEMICONDUCTOR CONVERSION CHART

THIS DRAWING AND SPECIFICATIONS HEREON ARE THE PROPERTY OF DIGITAL EQUIPMENT CORPORATION AND SHALL NOT BE REPRODUCED OR COPIED OR USED IN WHOLE OR IN PART AS THE BASIS FOR THE MANUFACTURE OR SALE OF ITEMS UNLESS EXPRESSLY FORWARDED BY DIGITAL EQUIPMENT CORPORATION. COPYRIGHT © 1971 DIGITAL EQUIPMENT CORPORATION

- NOTES:**
- 1) INSTALL W1 FOR RK05.
  - 2) CUT W4 FOR RK11-C COMPATIBILITY (NORMAL OPERATION)
  - 3) FOR RK11-D (RK05) CUT JUMPER W3 FOR RK11-E (18 BIT RK05) CUT JUMPER W2.
  - 4) FOR NORMAL OPERATION INSTALL W6 (CHANGES ID BITS ONLY FOR SEARCH COMPLETE INTERRUPT). INSTALL W5 TO CHANGE ID BITS FOR ANY INTERRUPT.
  - 5) INSTALL PROPER CRYSTAL IN SPLIT LUGS AS OUTLINED IN TABLE I.

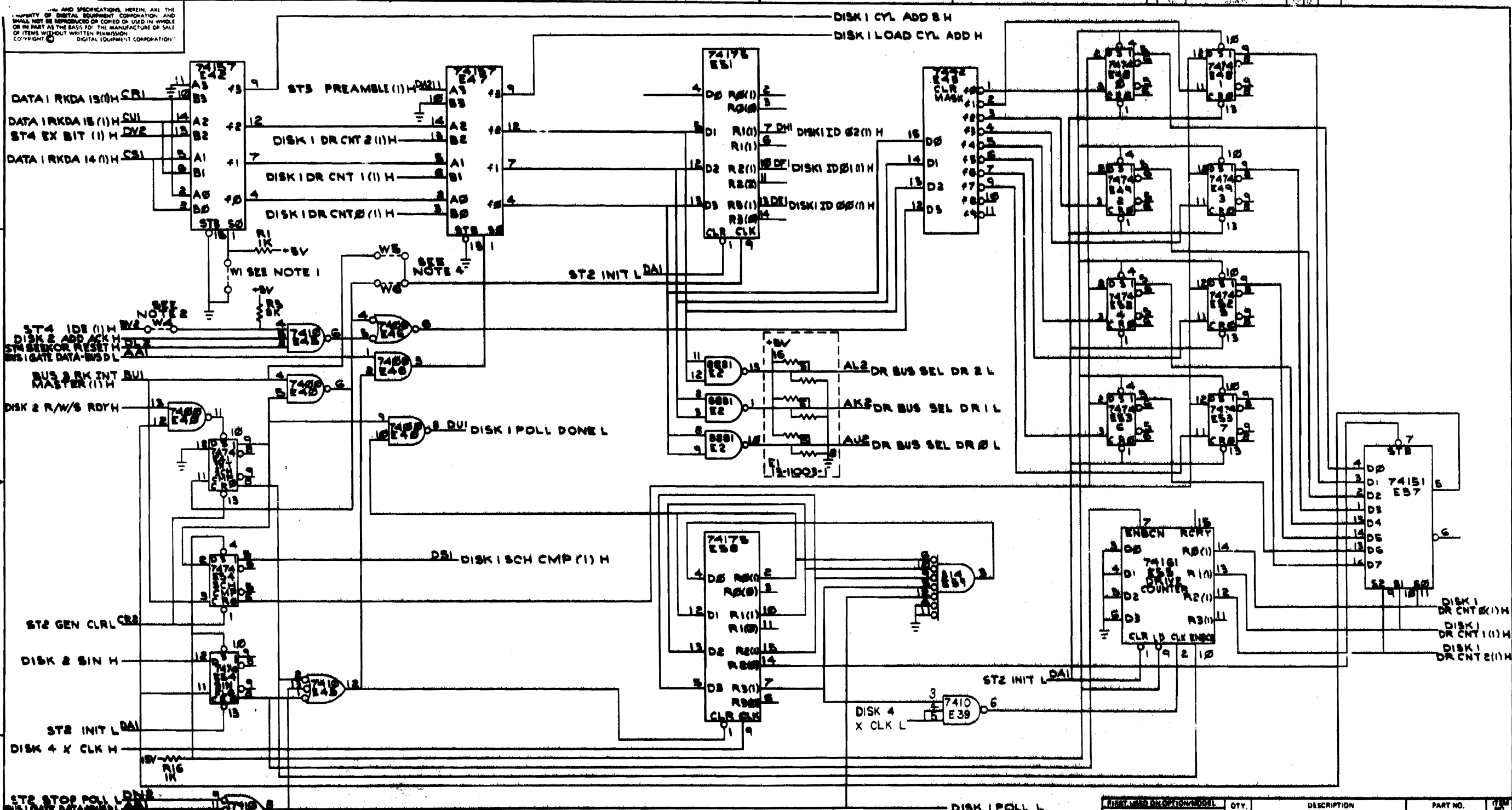
**TABLE I**

	DISK	BITS/WORD	MHz	DEC P/N
RK11-D	RK05	18	2.048	16-10544-3
RK11-E	RK05	18	2.048	16-10544-4

QUANTITY	DESCRIPTION	PART NO.	ITEM NO.
	RK11-D		
PARTS LIST			
UNLESS OTHERWISE SPECIFIED	DATE	 <b>DIGITAL EQUIPMENT CORPORATION</b> <small>MAYNARD MASSACHUSETTS</small>	
TOLERANCES	DATE		
DIMENSIONS	DATE		
ANGLES	DATE		
REMOVE BURRS AND BREAK SHARP EDGES SURFACE QUALITY 1	DATE	<b>TITLE</b> DISK CONTROL RK11-D	
MATERIAL	NEXT HIGHER ASSY.	REV. CODE	NUMBER
	B-DD-RK11-D	DCS	M7255-0-1
FINISH	SCALE	REV.	
	NONE	D	
	1 OF 1		

REVISIONS  
 CHANGE NO.

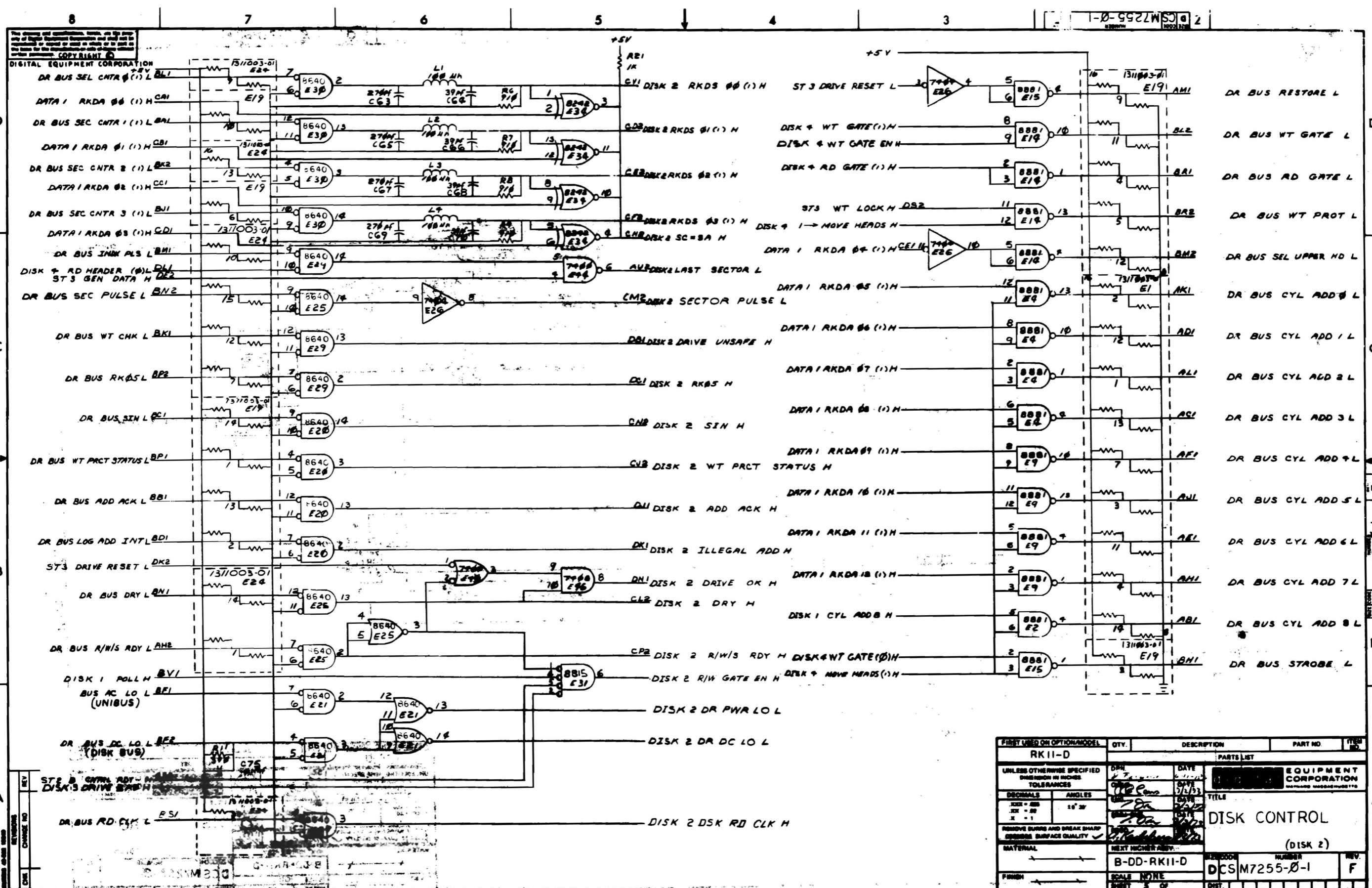
AND SPECIFICATIONS, HEREIN, ARE THE PROPERTY OF DIGITAL EQUIPMENT CORPORATION, AND SHALL NOT BE REPRODUCED OR COPIED OR USED IN WHOLE OR IN PART AS THE BASIS FOR THE MANUFACTURE OR SALE OF ITEMS WITHOUT WRITTEN PERMISSION. COPYRIGHT © DIGITAL EQUIPMENT CORPORATION



FIRST USED OR ALTERNATE MODEL	QTY.	DESCRIPTION	PART NO.	ITEM NO.
RK11-D				
UNLESS OTHERWISE SPECIFIED DIMENSIONS IN INCHES				
TOLERANCES				
DECIMALS	ANGLES	DATE		
.015 ± .002	0° 30'	DATE	TITLE	
REMOVE BURRS AND BREAK SHARP EDGES TO NEARLY SQUARE QUALITY.		DATE	DISK CONTROL	
MATERIAL		DATE	(DISK 1)	
FINISH		DATE	REV. F	
DRAWN		DATE	DCS M7255-0-1	
CHECKED		DATE	REV. F	
APPROVED		DATE	REV. F	

DCS M7255-0-1

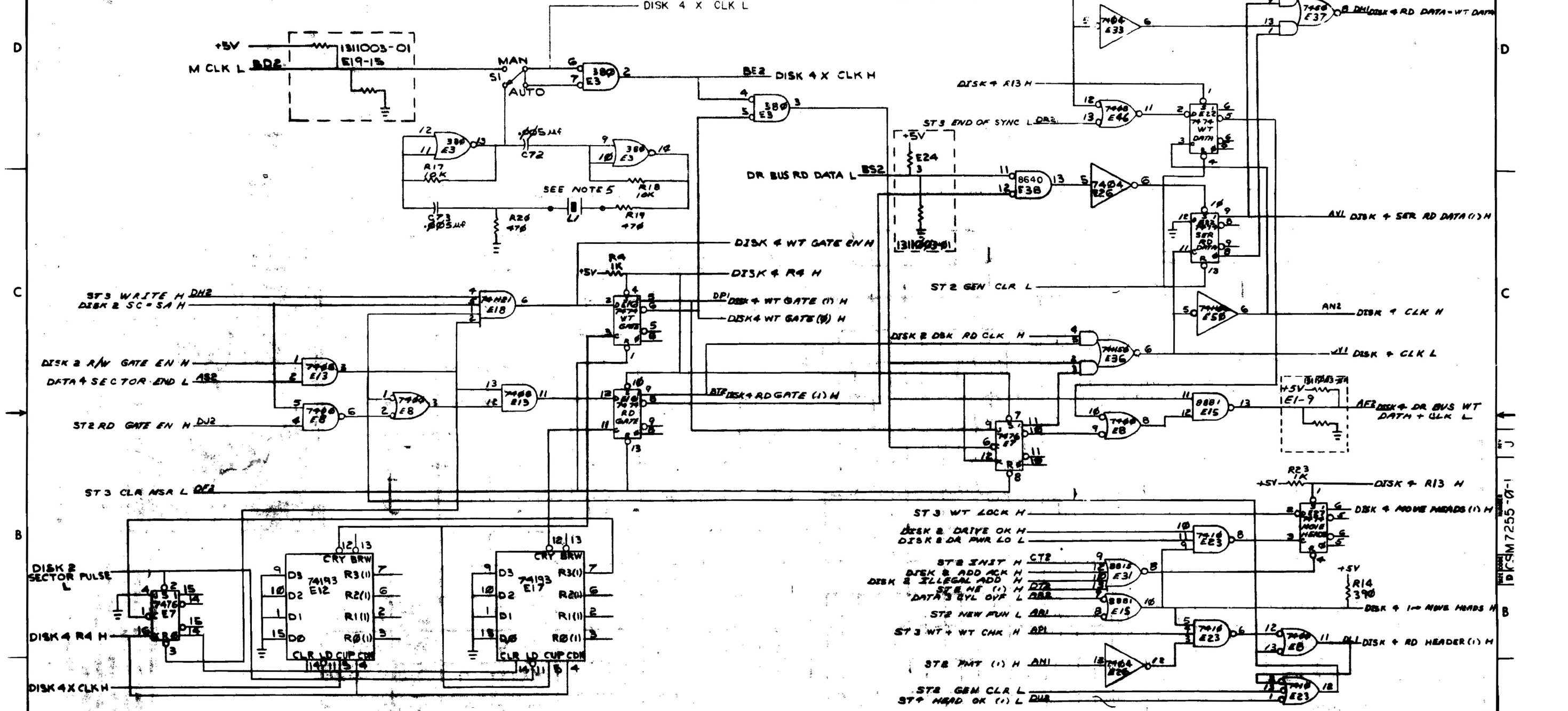
18



FIRST USED ON OPTION/MODEL	QTY.	DESCRIPTION	PART NO.	REV. NO.
RK11-D				
UNLESS OTHERWISE SPECIFIED DIMENSIONS IN INCHES TOLERANCES				
DECIMALS	ANGLES	DATE		
1/16 - .005	10° 30'	DATE	EQUIPMENT CORPORATION	
REMOVE BURRS AND BREAK SHARP EDGES TO SURFACE QUALITY		DATE	TITLE	
MATERIAL	NEXT HIGHER REV.	DATE	DISK CONTROL	
		DATE	(DISK 2)	
FINISH	SCALE N/T/N	DATE	NUMBER	REV.
		DATE	DCSM7255-0-1	F
	SHEET 5 OF	DATE		



THE COMPANY AND SPECIFICATIONS THEREON ARE THE PROPERTY OF DIGITAL EQUIPMENT CORPORATION. THIS DRAWING IS TO BE USED FOR THE MANUFACTURE OF EQUIPMENT UNDER LICENSE TO THE COMPANY BY THE USER OF THIS DRAWING. NO PART OF THIS DRAWING IS TO BE REPRODUCED OR TRANSMITTED IN ANY FORM OR BY ANY MEANS, ELECTRONIC OR MECHANICAL, INCLUDING PHOTOCOPYING, RECORDING, OR BY ANY INFORMATION STORAGE AND RETRIEVAL SYSTEM, WITHOUT PERMISSION IN WRITING FROM DIGITAL EQUIPMENT CORPORATION.



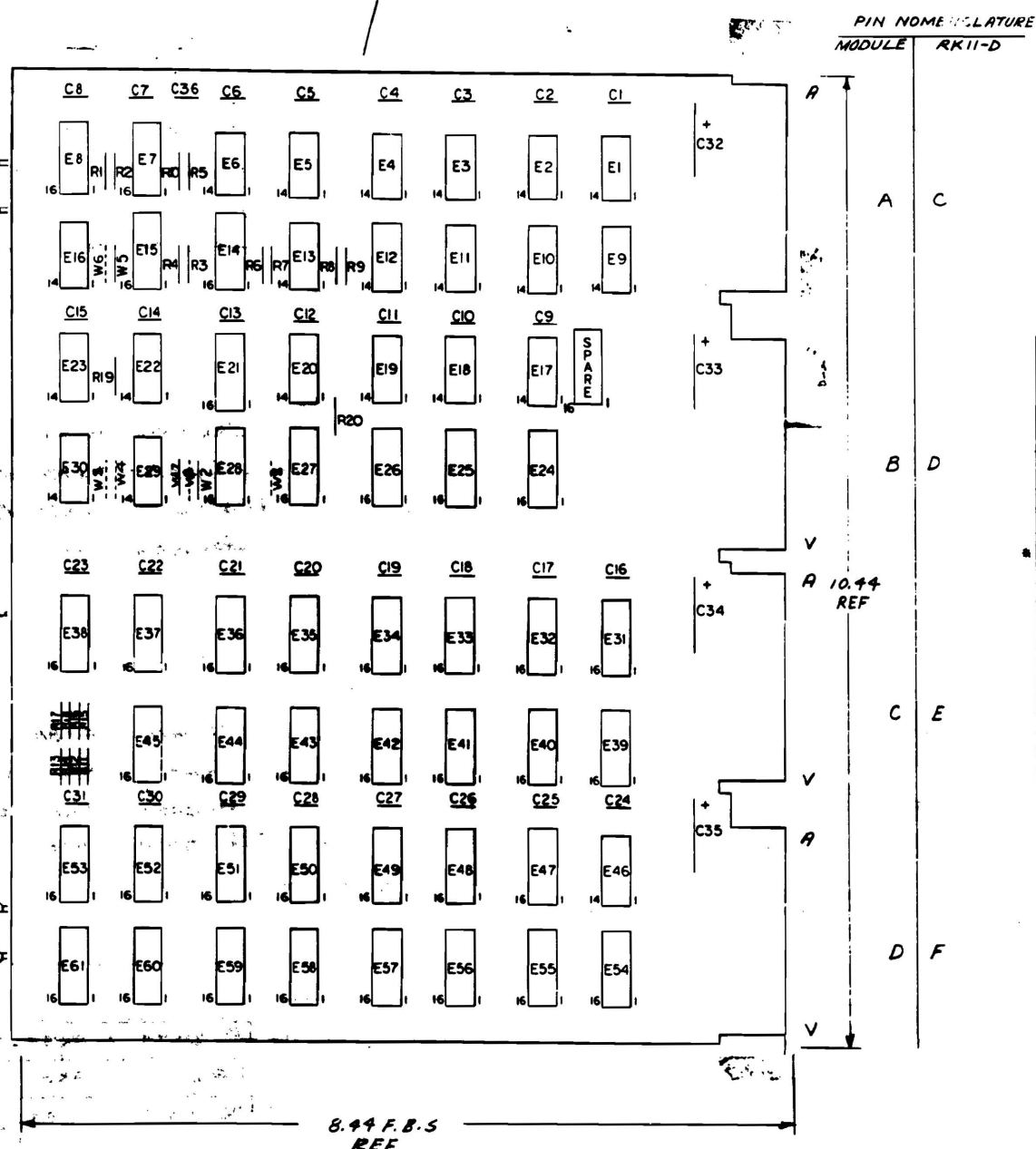
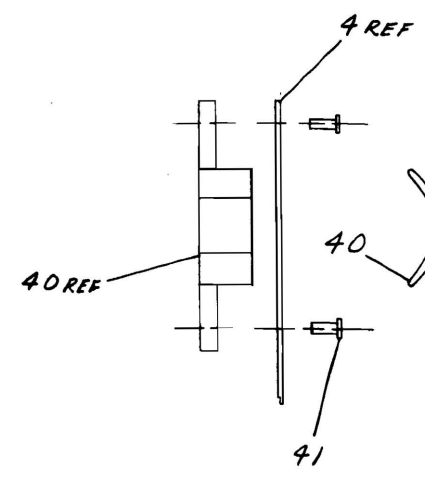
FIRST USED OR OPTIONAL	QTY.	DESCRIPTION	PART NO.	FILE NO.
RK11-D				
UNLESS OTHERWISE SPECIFIED DIMENSIONS IN INCHES TOLERANCES				
DECIMALS	ANGLES	PARTS LIST		
±.005	±0°30'		EQUIPMENT CORPORATION	
RESERVE BURR AND BREAK SHARP EDGES SURFACE QUALITY				
MATERIAL				
B-DD-RK11-D				
DCS M7255-0-1				
REV. J				



This drawing and specifications herein are the property of Digital Equipment Corporation and shall not be reproduced or copied or used in whole or in part in any form for the construction or sale of items without written permission. COPYRIGHT © DIGITAL EQUIPMENT CORPORATION

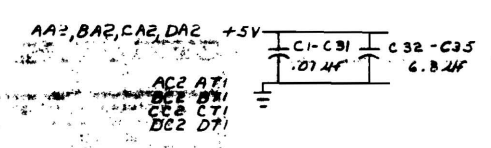
**NOTES:**

\* DEC 6640'S WERE PHASED IN AS 38C REPLACEMENT. ANY 360 FAILURES SHOULD BE REPLACED BY 6640'S



QTY	REF DESIGNATION	DESCRIPTION	PART NO.	ITEM NO.
1	R6	5.6K 1/4 W 5% CC	1301874	41
3	WE, WE, W7	INSULATED JUMPER L-2307-1	730 9185	42
8		EYELET #659-7 E.B. STIMPSON	9006732	43
4		HANDLE, FLIP CHIP MAGENTA	9008337-6	40
4	E52, E53, E60, E61	I.C. DEC 74157	1910655	39
8	E48-E54, E56-E57	I.C. DEC 74153	1909937	38
1	E46	I.C. DEC 8281 DC	1909490	37
1	E38	DIP RESISTOR PACK	1311003-02	36
5	E33-E37	I.C. DEC 74170	1910738	35
7	E31, E32, E39, E40, E41, E54, E55	I.C. DEC 74193	1910018	34
1	E30	I.C. DEC 8247	91469	33
10	E29-E32, E44-E45	I.C. DEC 8271	1909615	32
1	E23	I.C. DEC 8881	1909705	31
2	E22, E27	I.C. DEC 7473	1905587	30
1	E21	I.C. DEC 4007	1909867	29
1	E18	I.C. DEC 7421	1909058	28
1	E17	I.C. DEC 7437	1910091	27
1	E13	I.C. DEC 7412	1909955	26
1	E12	I.C. DEC 7400	1905575	25
4	E11, E16, E19, E20	I.C. DEC 7414	1905547	24
1	E10	I.C. DEC 7410	1909057	23
1	E9	I.C. DEC 7455	1909063	22
1	E8	I.C. DEC 74161	1910650	21
3	E7, E14, E15	I.C. DEC 74123	1910436	20
1	E5	I.C. DEC 7474	1907667	19
2	E6, E6	I.C. DEC 7450	1909360	18
1	E3	I.C. DEC 7402	1909004	17
1	E2	I.C. DEC 7404	1909931	16
1	E1	I.C. DEC 7408	1910155	15
4	R15-R18	RES. 680Ω 1/4W 5% CC	1301424	14
4	R11-R14	RES. 330Ω 1/4W 5% CC	1300295	13
1	R10	RES. 20K 1/4W 5% CC	1302391	12
4	R8, R9, R19, R20	RES. 1K 1/4W 5% C.	1300365	11
4	R3-R5, R7	RES. 5.1K 1/4W 1% MF	1309854	10
1	R2	RES. 390Ω 1/4W 5% CC	1301307	9
1	R1	RES. 180Ω 1/4W 5% C.	1301322	8
1	C36	CAP. 150PF 100V 5% C.M.	1000019	7
4	C32-C35	CAP. 6.8UF 35V 20% T+NT	1303067	6
31	C1-C31	CAP. .01UF 100V 20% LISC.	1001610	5
1		ETCHED CIRCUIT BOARD	5309987	4
REF		MODULE ECO HISTORY	B-MH-M7256-B-3	3
REF		ASSY/DRILLING HOLE LAYOUT	D-MH-M7256-B-5	2
REF		X-Y COORDINATE HOLE LOCATION	K-CD-M7256-B-4	1

DEC PART NO.	QTY	LOC
DEC 4007	8	16
DEC 7473	11	4
DEC 74170	8	16
DEC 74193	8	16
DEC 74161	8	16
DEC 74157	8	16
DEC 8271	8	16
DEC 8640	1	8
IC TYPE	GND	+5V



QTY	REF DESIGNATION	DESCRIPTION	PART NO.	ITEM NO.
1		ETCHED CIRCUIT BOARD	5309987	4
REF		MODULE ECO HISTORY	B-MH-M7256-B-3	3
REF		ASSY/DRILLING HOLE LAYOUT	D-MH-M7256-B-5	2
REF		X-Y COORDINATE HOLE LOCATION	K-CD-M7256-B-4	1

CHANGE NO.	REV	DATE	BY	REVISIONS

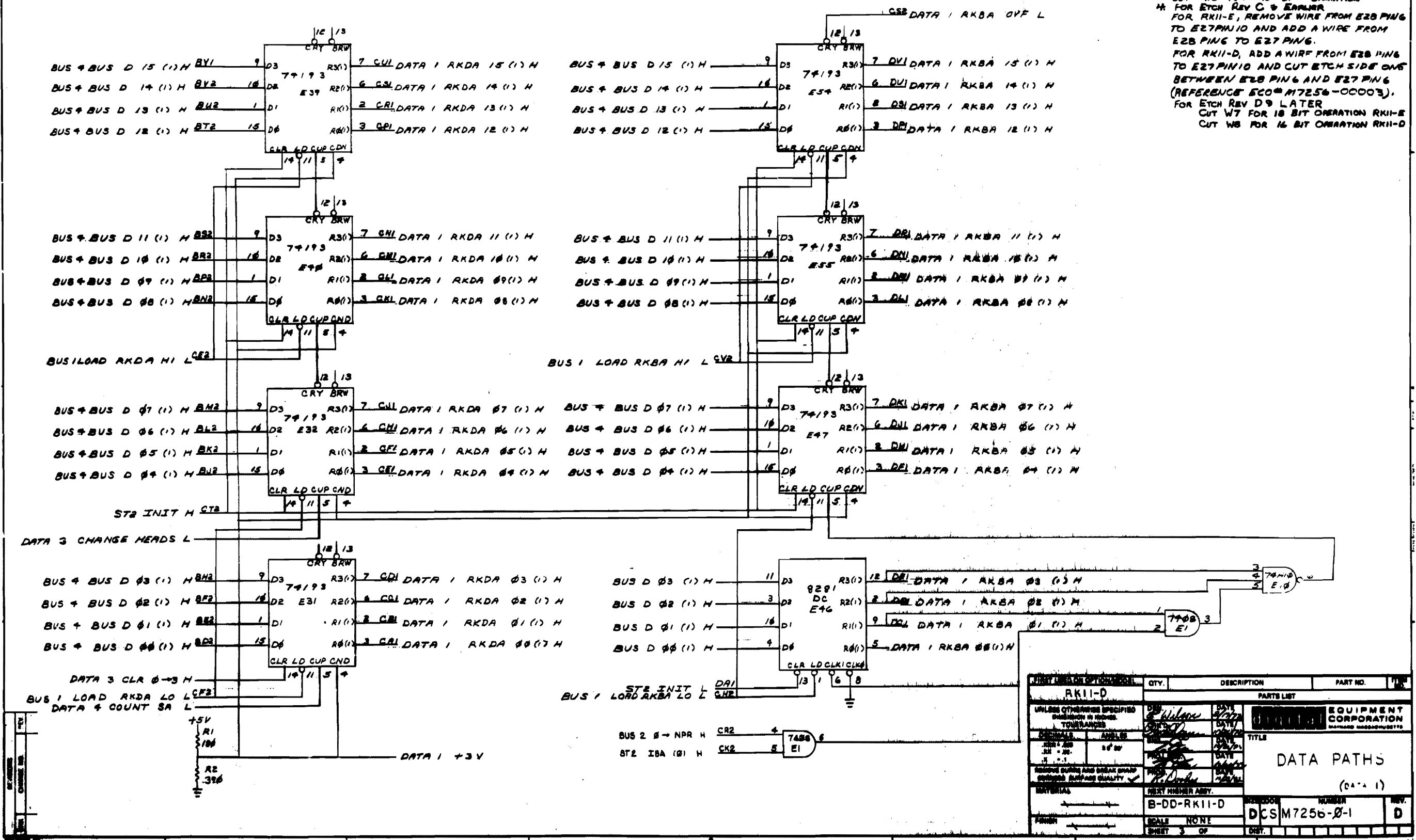
DEC NO.	EIA NO.	DEC NO.	EIA NO.

SCALE	SHEET	OF	DIST.

ALL DIMENSIONS ARE IN INCHES UNLESS OTHERWISE SPECIFIED. DIMENSIONS IN PARENTHESES ARE FOR INFORMATION ONLY. THIS DRAWING IS THE PROPERTY OF EQUIPMENT CORPORATION. IT IS TO BE KEPT IN CONFIDENCE AND NOT TO BE REPRODUCED OR TRANSMITTED IN ANY FORM OR BY ANY MEANS, ELECTRONIC OR MECHANICAL, INCLUDING PHOTOCOPYING, RECORDING, OR BY ANY INFORMATION STORAGE AND RETRIEVAL SYSTEM.

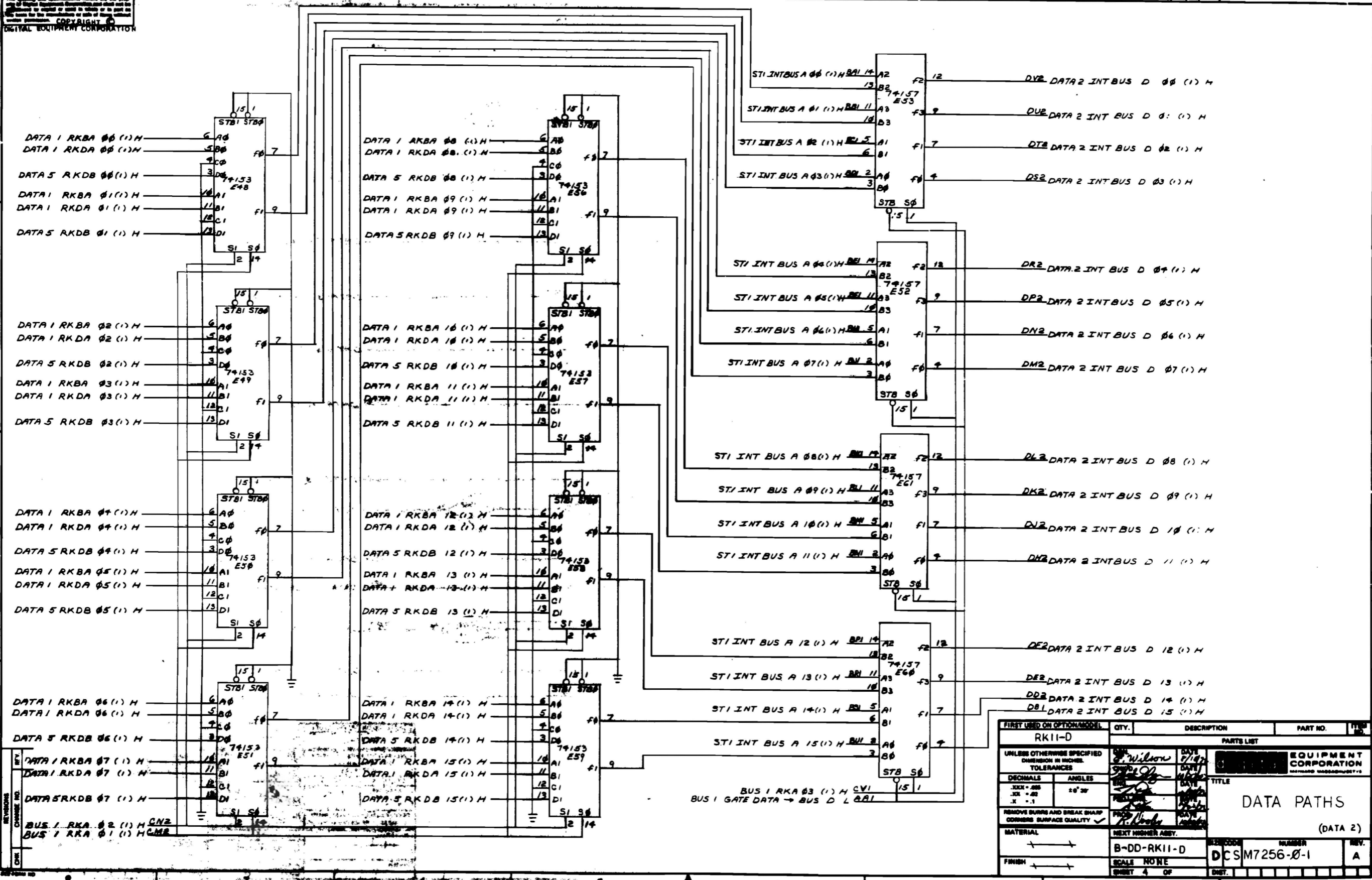
- NOTES:**
- CUT W1 FOR 16 BIT OPERATION (RK11-D)  
CUT W2 FOR 18 BIT OPERATION (RK11-E)
  - CUT W3+W4 FOR 16 BIT OPERATION
  - CUT W5 FOR 18 BIT OPERATION  
CUT W6 FOR 16 BIT OPERATION
  - FOR ETCH REV C & EARLIER  
FOR RK11-E, REMOVE WIRE FROM E28 PING TO E27PIN10 AND ADD A WIRE FROM E28 PING TO E27 PIN6.  
FOR RK11-D, ADD A WIRE FROM E28 PING TO E27 PIN10 AND CUT ETCH SIDE CWS BETWEEN E28 PING AND E27 PIN6 (REFERENCE ECO# M7256-00003).  
FOR ETCH REV D & LATER  
CUT W7 FOR 18 BIT OPERATION (RK11-E)  
CUT W8 FOR 16 BIT OPERATION (RK11-D)



QTY.	DESCRIPTION	PART NO.
<b>AK11-D</b>		
UNLESS OTHERWISE SPECIFIED DIMENSIONS IN INCHES TOLERANCES		
ASSEMBLY	DATE	<b>EQUIPMENT CORPORATION</b> MILWAUKEE, WISCONSIN 53207
DATE	DATE	
REV. A	10/77	<b>DATA PATHS</b> (DATA 1)
REV. B	11/77	
REV. C	12/77	NEXT NUMBER ASBY. <b>B-DD-RK11-D</b>
REV. D	1/78	
REV. E	2/78	DRAWING NUMBER <b>DCSM7256-0-1</b>
REV. F	3/78	
REV. G	4/78	SCALE NONE SHEET 3 OF 3
REV. H	5/78	
REV. I	6/78	REV. <b>D</b>
REV. J	7/78	

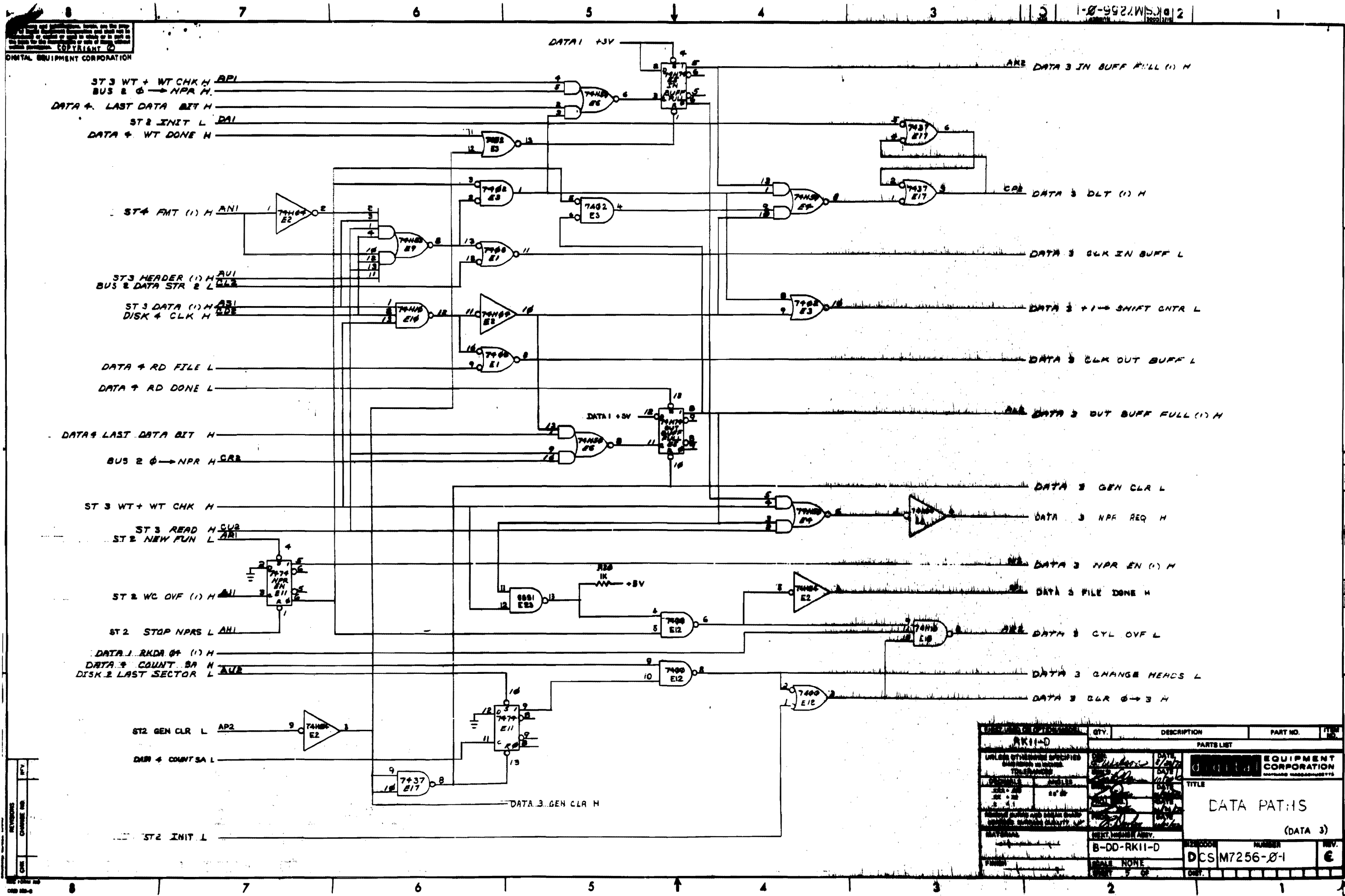
The drawings and specifications herein are the property of Digital Equipment Corporation and shall not be reproduced or transmitted in any form or by any means, electronic, mechanical, photocopying, recording, or by any information storage and retrieval system, without the prior written permission of Digital Equipment Corporation. COPY RIGHT © DIGITAL EQUIPMENT CORPORATION

1-10-9502WSDJ 012



FIRST USED ON OPTIONAL MODEL	QTY.	DESCRIPTION	PART NO.	UNIT
RK11-D				
PARTS LIST				
UNLESS OTHERWISE SPECIFIED DIMENSIONS IN INCHES.				
TOLERANCES				
DECIMALS	ANGLES	TITLE		
.XX - .25	± 0° 30'	DATA PATHS (DATA 2)		
.XX - .50	± .1			
.5 - 1				
REMOVE BURRS AND BREAK SHARP CORNERS SURFACE QUALITY				
MATERIAL	NEXT HIGHER ASSY.			
FINISH	B-DD-RK11-D			
SCALE NONE		DCS M7256-0-1		REV. A
SHEET 4 OF		DIST.		

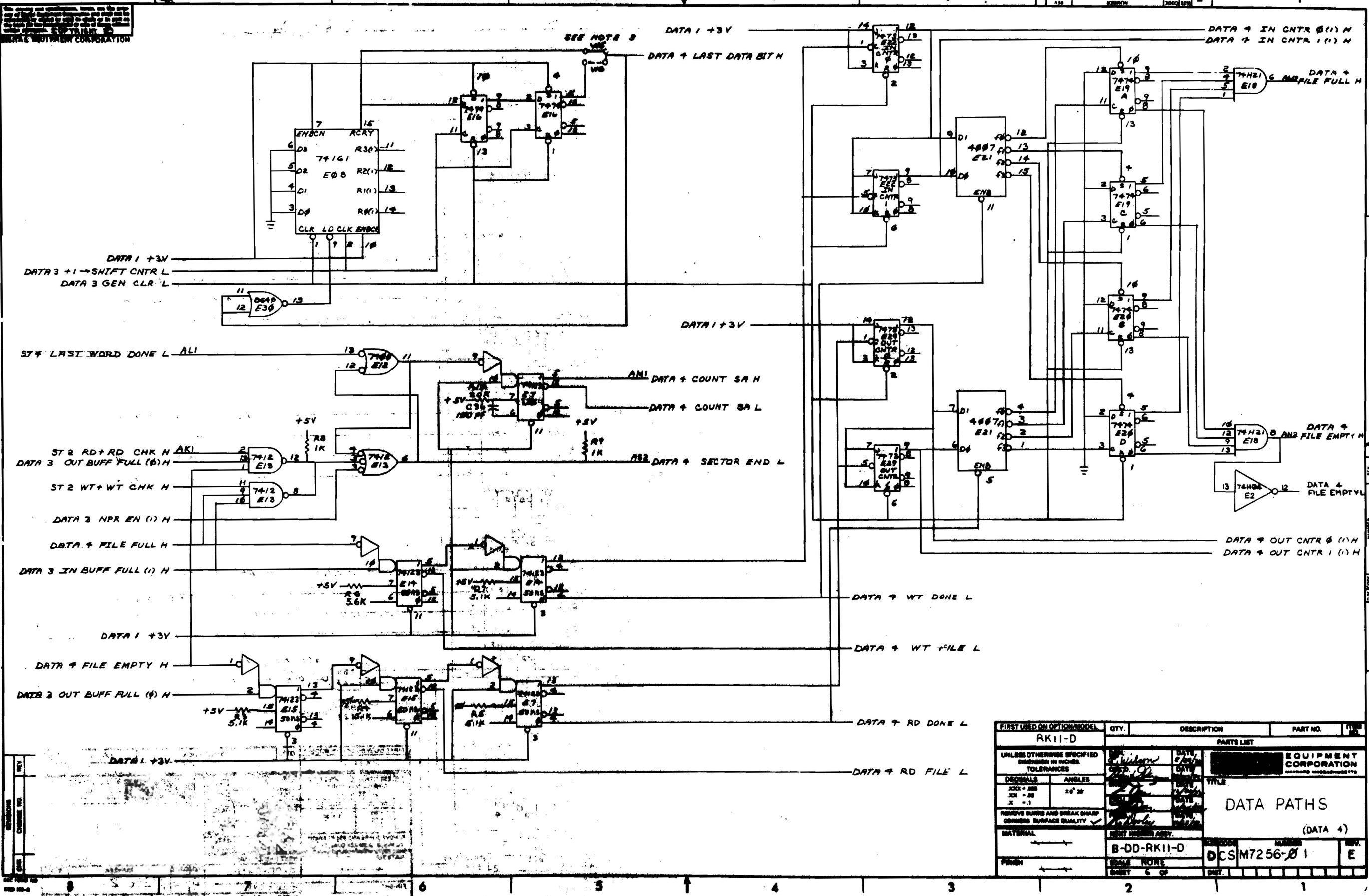
25



UNLESS OTHERWISE SPECIFIED, ALL DIMENSIONS ARE IN INCHES AND DECIMAL FRACTIONS SHALL BE TO THE NEAREST 0.001 INCH UNLESS OTHERWISE SPECIFIED. THIS DRAWING IS THE PROPERTY OF DIGITAL EQUIPMENT CORPORATION AND IS LOANED TO YOU FOR THE PURPOSES OF THIS PROJECT ONLY. IT IS NOT TO BE REPRODUCED OR TRANSMITTED IN ANY FORM OR BY ANY MEANS, ELECTRONIC OR MECHANICAL, INCLUDING PHOTOCOPYING, RECORDING, OR BY ANY INFORMATION STORAGE AND RETRIEVAL SYSTEM. WITHOUT PERMISSION IN WRITING FROM DIGITAL EQUIPMENT CORPORATION. COPYRIGHT © 1977

1-0-9927W(S) 2

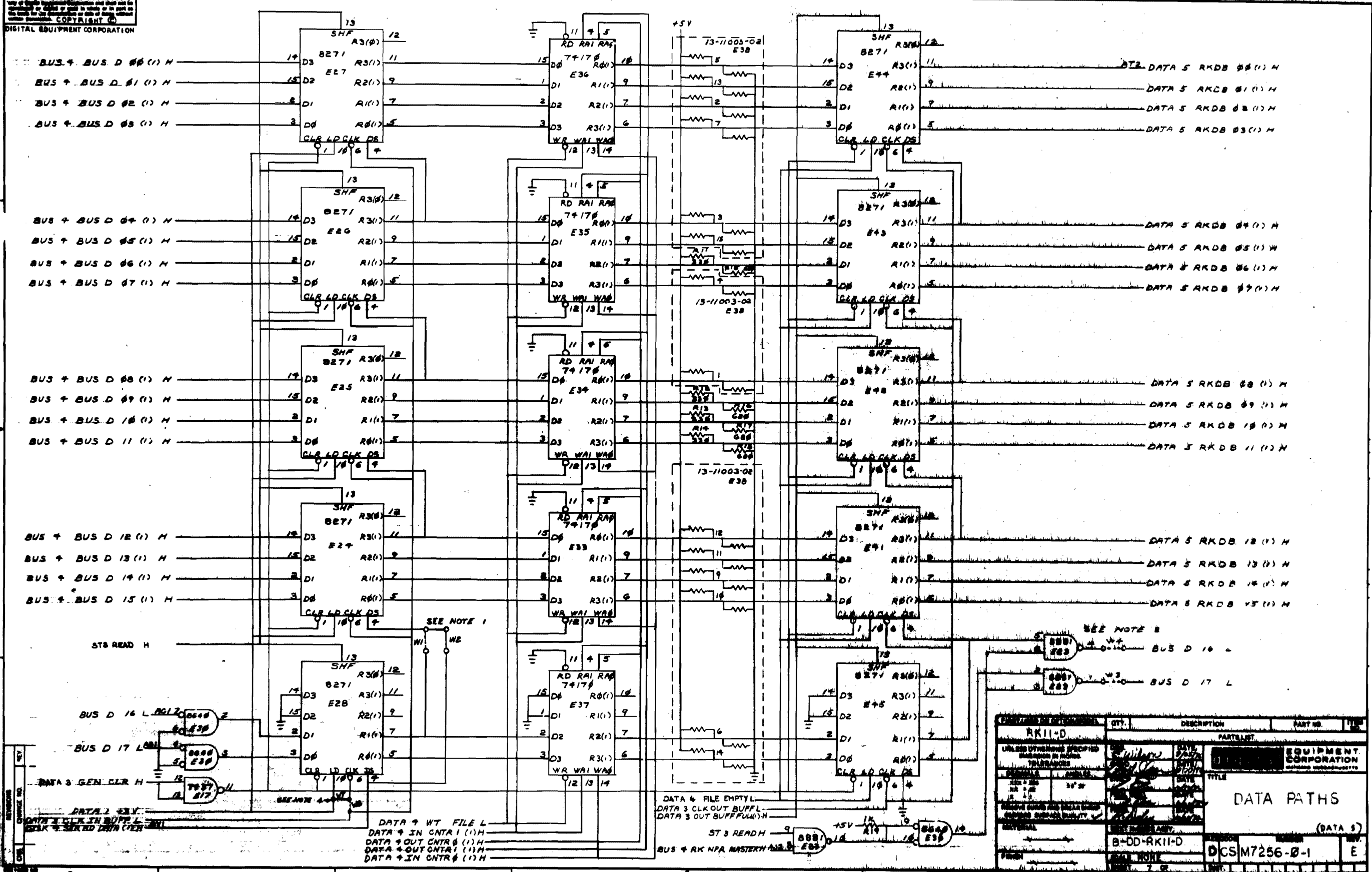
REV.	DATE	DESCRIPTION	PART NO.	QTY.
1				
2				
3				
4				
5				
6				
7				
8				
9				
10				
11				
12				
13				
14				
15				
16				
17				
18				
19				
20				
21				
22				
23				
24				
25				
26				
27				
28				
29				
30				
31				
32				
33				
34				
35				
36				
37				
38				
39				
40				
41				
42				
43				
44				
45				
46				
47				
48				
49				
50				



FIRST USED ON OPTION/MODEL	QTY.	DESCRIPTION	PART NO.	REV.
RK11-D				
UNLESS OTHERWISE SPECIFIED DIMENSIONS IN INCHES TOLERANCES				
DECIMALS		ANGLES		
.XXX - .000		±0°30'		
.XX - .00				
.X - .0				
REMOVE BURRS AND BREAK SHARP CORNERS SURFACE QUALITY				
MATERIAL				
FINISH				
PARTS LIST		EQUIPMENT CORPORATION		
TITLE		DATA PATHS (DATA 4)		
B-DD-RK11-D		DCSM7256-01		
SCALE NONE		SHEET 6 OF 6		

This drawing and specifications, herein, are the property of Digital Equipment Corporation and shall not be reproduced or copied in whole or in part without the written consent of Digital Equipment Corporation. COPYRIGHT ©

DIGITAL EQUIPMENT CORPORATION



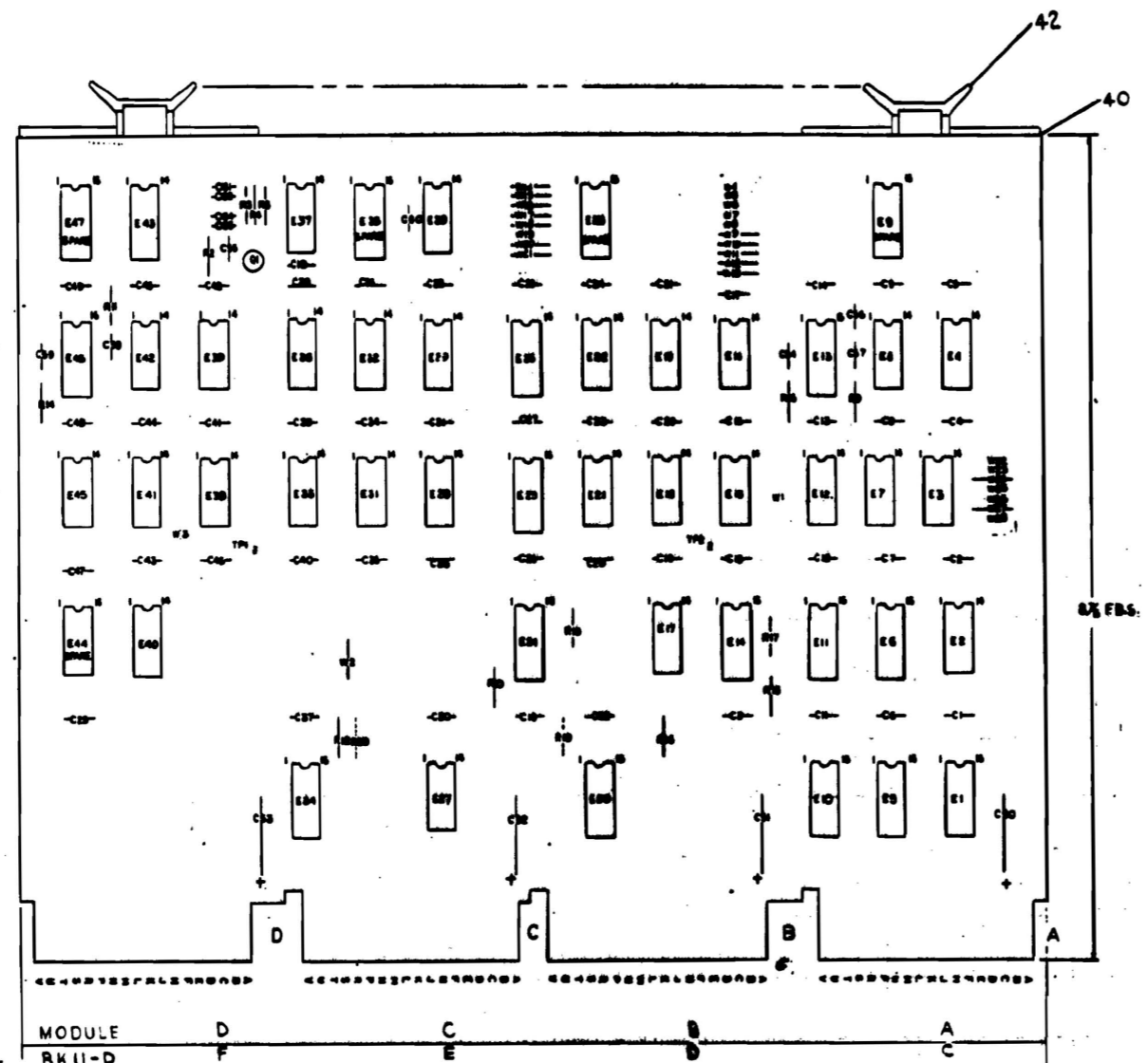
REV.	DESCRIPTION	QTY.	DESCRIPTION	PART NO.
1	AKII-D			
UNLESS OTHERWISE SPECIFIED, DIMENSIONS ARE IN INCHES. TOLERANCES: .010, .005, .0025.				
EQUIPMENT CORPORATION				
TITLE: DATA PATHS (DATA 3)				
REV. E				
PART NO. DCSM7256-B-1				



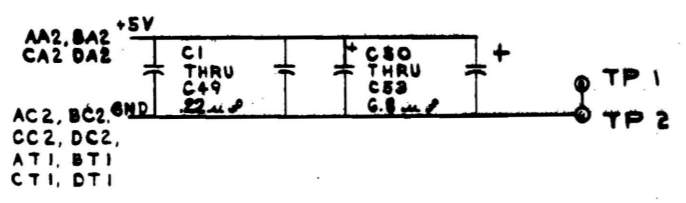
"THIS DRAWING AND SPECIFICATIONS HEREON ARE THE PROPERTY OF DIGITAL EQUIPMENT CORPORATION AND SHALL NOT BE REPRODUCED OR COPIED OR USED IN WHOLE OR IN PART AS THE BASIS FOR THE MANUFACTURE OR SALE OF ITEMS WITHOUT WRITTEN PERMISSION OF DIGITAL EQUIPMENT CORPORATION"

**NOTES:** 1. R19 AND R20 ARE OPTIONAL COMPONENTS  
DO NOT INSERT  
2. W1, W3 THRU W8, W19, W22, W23, W25, W26, W28, ARE OPTIONAL JUMPERS. DO NOT INSERT.

IF 8641'S ARE NOT AVAILABLE, USE 8838'S, PART NO. 191117-00.



PIN NOMENCLATURE  
MODULE RK11-D



IC DEC 8641	1	8
IC DEC 74H103	11	4
IC DEC 214	1	8
IC DEC 7442	8	16
IC DEC 74123	8	16
IC DEC 74151	8	16
IC TYPE	GND	+5V
GND AND +5V ARE USUALLY PIN 7 AND 14 RESPECTIVELY UNLESS OTHERWISE STATED ABOVE		
IC PIN LOCATIONS		

REF	X-Y COORDINATE HOLE LOC.	QTY	REF DESIGNATION	DESCRIPTION	PART NO.	ITEM NO.
REF	ASSY/DRILLING HOLE LAYOUT				D-AH-M7257-0-6	2
REF	MODULE ECO HISTORY				B-MH-M7257-0-6	3
1	ETCHED CIRCUIT BOARD				5007996	4
2	C58, C59			CAP 10 MMF 100V 5%	1000006	5
1	C54			CAP 270 MMF 100V 5%	1000022	6
2	C57, C60			CAP 330 MMF 100V 5%	1000023	7
1	C56			CAP 1200 MMF 100V 5%	1002424	8
49	C1 THRU C49			CAP. 22 MF 50V 20%	1010274-01	9
4	C50 THRU C53			CAP 6.8 MFD 35V 10% TANT	1005308	10
4	C61, C62, C64, C65			CAP 6.8 MMF 100 V 5%	1000005	11
1	C55			CAP 27 MMF 100 V 5%	1001739	12
1	Q1			TRANS DEC 30098	1503100	13
9	R2, R3, R4			RES. 330 1/4 W 5%	1300295	14
2	R10, R13			RES. 390 1/4 W 5%	1300309	15
1	R5			RES. 287 1/8 W, 1%	1305124	16
4	R12, R15, R17, R18			RES 180 1/4 W 5%	1301322	17
1	R16			RES 5.6K 1/4 W 5%	1301874	18
1	R9			RES. 4.7K 1/4 W 5%	1302177	19
2	R11, R14			RES. 5.1K 1/8 W 1%	1304854	20
						21
2	E16, E30			RES. 1K RESISTOR PACK	1300005-01	22
1	E19			IC. 74H20	1905635	23
2	E22, E38			IC. 7402	1909004	24
3	E18, E21, E27			IC. 74H00	1909056	25
4	E40, E41, E42, E35			IC. 74H74	1909667	26
1	E2			IC. 314	1909704	27
4	E3, E4, E8, E27			IC. 8881	1909705	28
3	E7, E12, E15			IC. 8242	1909712	29
1	E21			IC. 74H04	1909931	30
1	E26			IC. 74151	1909936	31
2	E24, E25			IC. 7442	1910046	32
1	E28			IC. 7437	1910091	33
3	E36, E39, E45			IC. 7408	1910155	34
9	E29, E32, E43			IC. 74H103	1910409	35
2	E13, E46			IC. 74123	1910436	36
1	E17			IC. 8641	1911469	37
1	E1, E5, E6, E10, E14, E20, E23			IC. 8641	1911579	38
15	W2, W4 THRU W18, W20, W21, W24, W27			INSULATED JUMPER	9009185	39
8				EYELET	9006732	40
2	TP1, TP2			SOLDER TERMINALS	9007791	41
4				HANDLE (FLIPCHIP) MAGENTA	9008337-06	42

DCS M7257-0-1

ETCH BOARD REV C

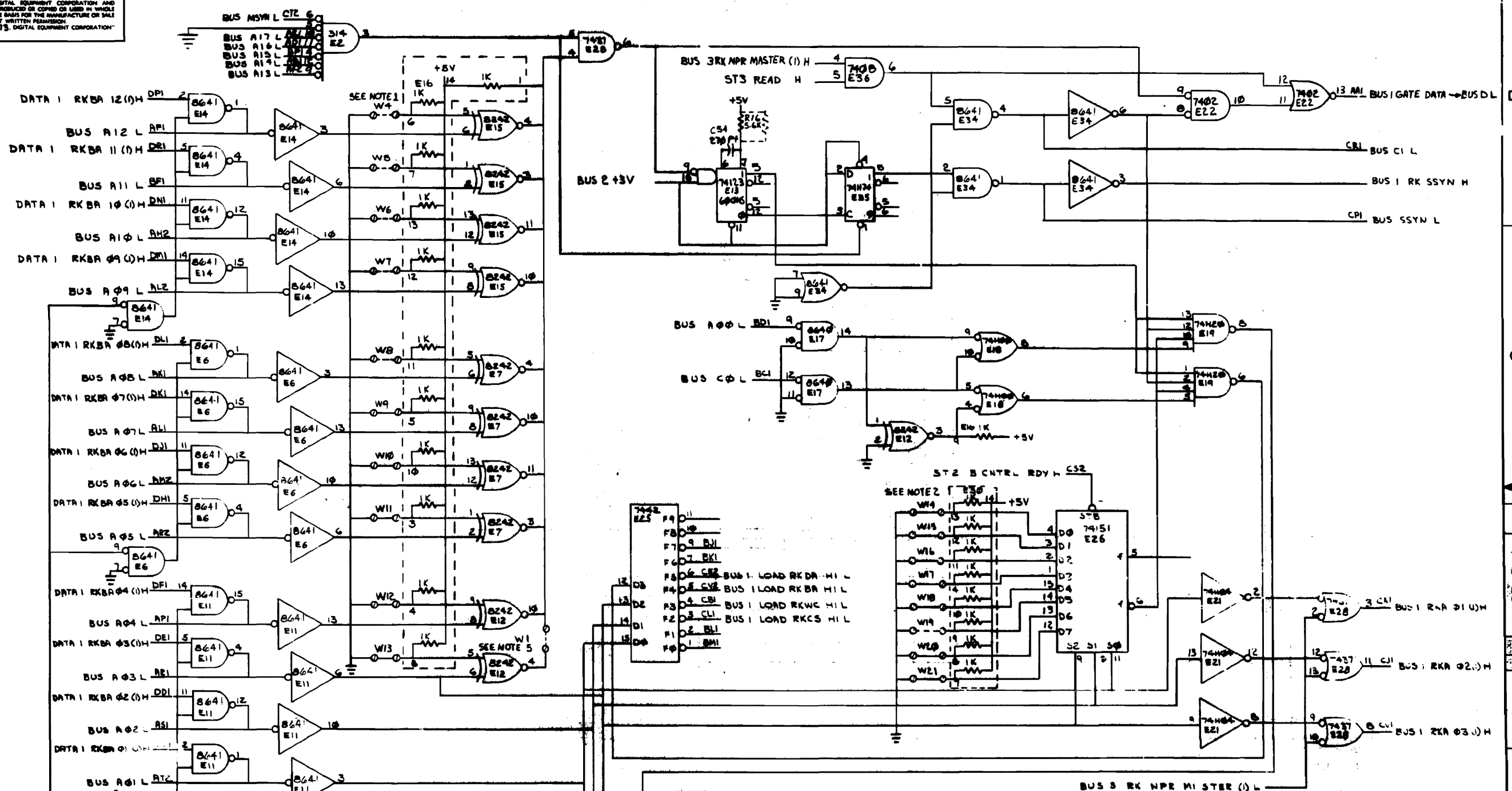
digital EQUIPMENT CORPORATION

TITLE: BUS CONTROL RK11-D

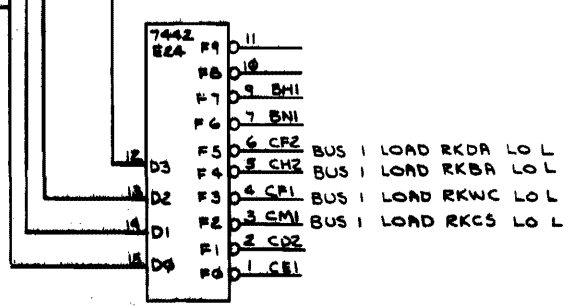
SEMICONDUCTOR CONVERSION CHART

DCS M7257-0-1

THIS DRAWING AND SPECIFICATIONS HEREIN ARE THE PROPERTY OF DIGITAL EQUIPMENT CORPORATION AND SHALL NOT BE REPRODUCED OR COPIED OR USED IN WHOLE OR IN PART AS THE BASIS FOR THE MANUFACTURE OR SALE OF ITEMS WITHOUT WRITTEN PERMISSION. COPYRIGHT © 1973, DIGITAL EQUIPMENT CORPORATION.



- NOTE:
- CUT JUMPER FOR ONE. FOR NORMAL RK11 OPERATION CUT JUMPERS W4,W5,W6,W7,W8.
  - CUT JUMPER TO INHIBIT STROBE IF BUSY. FOR NORMAL RK11 OPERATION CUT JUMPER W19.
  - FOR NORMAL OPERATION CUT JUMPER W3. IN 11/15 OR 11/20 SYSTEMS WITHOUT RK11 OPTION CUT JUMPER W2.
  - CUT JUMPER FOR ZERO. FOR NORMAL RK11 OPERATION CUT JUMPERS W22,W23,W25,W26,W28.
  - FOR NORMAL OPERATION CUT JUMPER W1. FOR APPLICATIONS REQUIRING 4 ADDRESS RECOGNITION INSTALL W1.



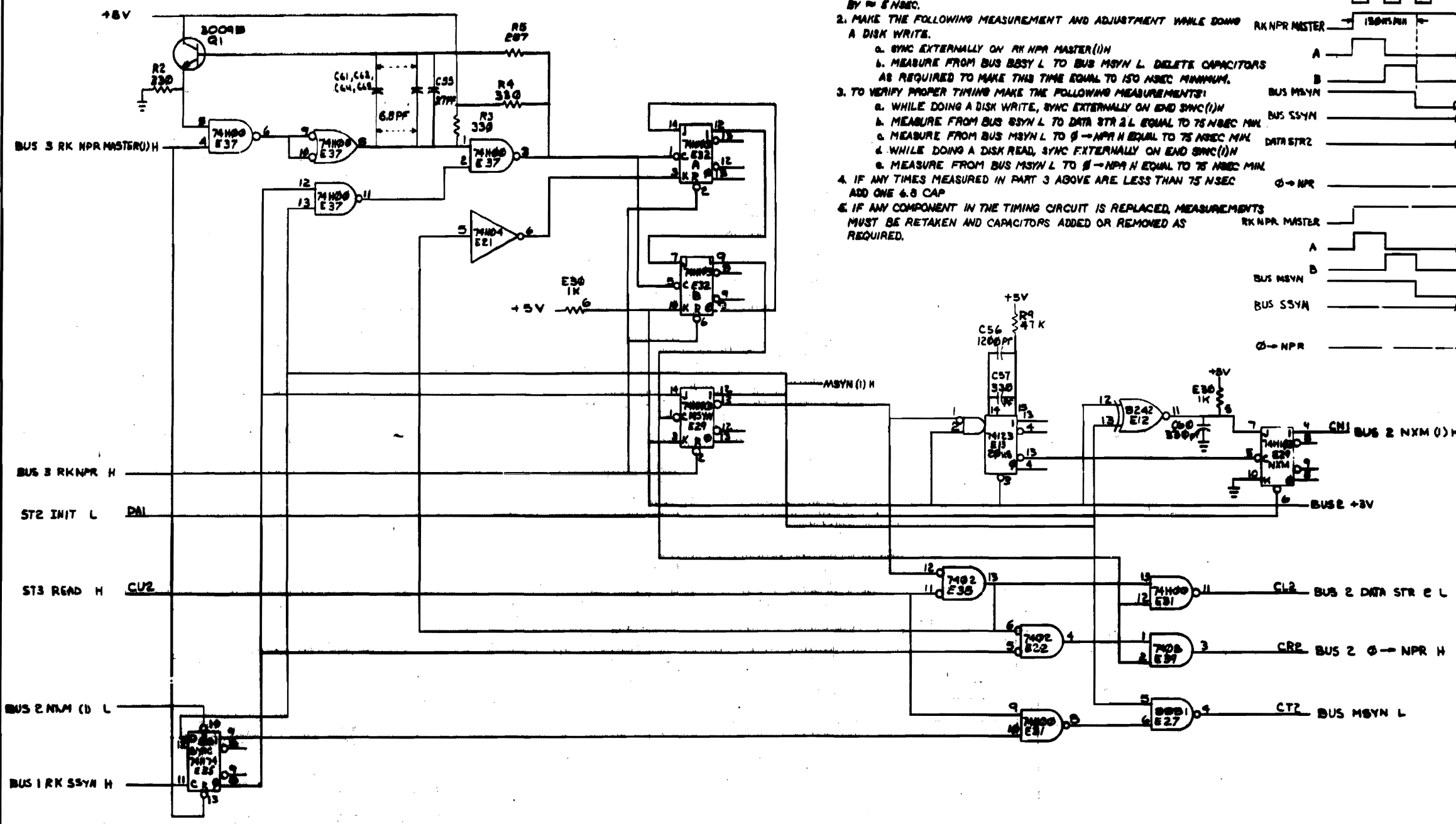
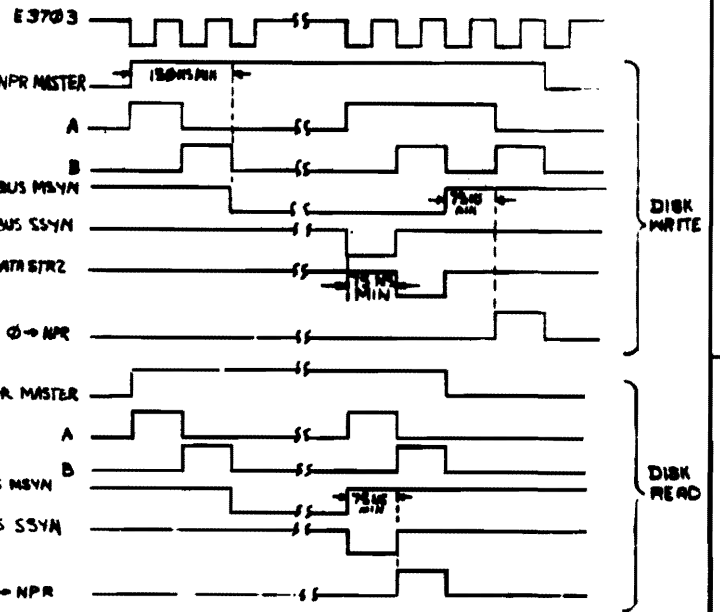
FIRST USED ON OPTION/MODEL	QTY.	DESCRIPTION	PART NO.	ITEM NO.
RK11-D				
UNLESS OTHERWISE SPECIFIED DIMENSION IN INCHES				
TOLERANCES	DECIMALS	ANGLES	PARTS LIST	
.001	.005	0 30'		
REMOVE BURRS AND BREAK SHARP CORNERS SURFACE QUALITY 1				
MATERIAL			NEXT HIGHER ASSY.	
FINISH			B-DD-RK11-D	
SCALE			SIZE CODE	
SHEET 3 OF 6			NUMBER	
DIST.			REV. E	
TITLE				
BUS CONTROL (BUS 1)				
DCSM7257-0-1				

REV.	CHANGE NO.

THIS DRAWING AND SPECIFICATIONS, HEREIN, ARE THE PROPERTY OF DIGITAL EQUIPMENT CORPORATION AND SHALL NOT BE REPRODUCED OR COPIED IN WHOLE OR IN PART AS THE BASIS FOR THE MANUFACTURE OR SALE OF ITEMS WITHOUT WRITTEN PERMISSION. COPYRIGHT © 1973, DIGITAL EQUIPMENT CORPORATION.

DCS M7257-0-1 2

- SET UP UNIBUS TIMING AS FOLLOWS:
1. TIMING ADJUSTMENTS ARE MADE BY REMOVING CAPACITORS C61 THRU C66 AS REQUIRED. WITH C61 THRU C66 ALL INSTALLED THE OUTPUT AT E37#3 HAS A PERIOD OF  $\approx 88$  NSEC. REMOVAL OF EACH CAP DECREASES THIS BY  $\approx 8$  NSEC.
  2. MAKE THE FOLLOWING MEASUREMENT AND ADJUSTMENT WHILE DOING A DISK WRITE.
    - a. SYNC EXTERNALLY ON RK NPR MASTER (I)H
    - b. MEASURE FROM BUS BSYN L TO BUS MSYN L. DELETE CAPACITORS AS REQUIRED TO MAKE THIS TIME EQUAL TO 150 NSEC MINIMUM.
  3. TO VERIFY PROPER TIMING MAKE THE FOLLOWING MEASUREMENTS:
    - a. WHILE DOING A DISK WRITE, SYNC EXTERNALLY ON END SYNC (I)H
    - b. MEASURE FROM BUS BSYN L TO DATA STR 2 L EQUAL TO 75 NSEC MIN.
    - c. MEASURE FROM BUS MSYN L TO  $\phi$ -NPR H EQUAL TO 75 NSEC MIN.
    - d. WHILE DOING A DISK READ, SYNC EXTERNALLY ON END SYNC (I)H
    - e. MEASURE FROM BUS MSYN L TO  $\phi$ -NPR H EQUAL TO 75 NSEC MIN.
  4. IF ANY TIMES MEASURED IN PART 3 ABOVE ARE LESS THAN 75 NSEC ADD ONE 6.8 CAP.
  5. IF ANY COMPONENT IN THE TIMING CIRCUIT IS REPLACED, MEASUREMENTS MUST BE RETAKEN AND CAPACITORS ADDED OR REMOVED AS REQUIRED.

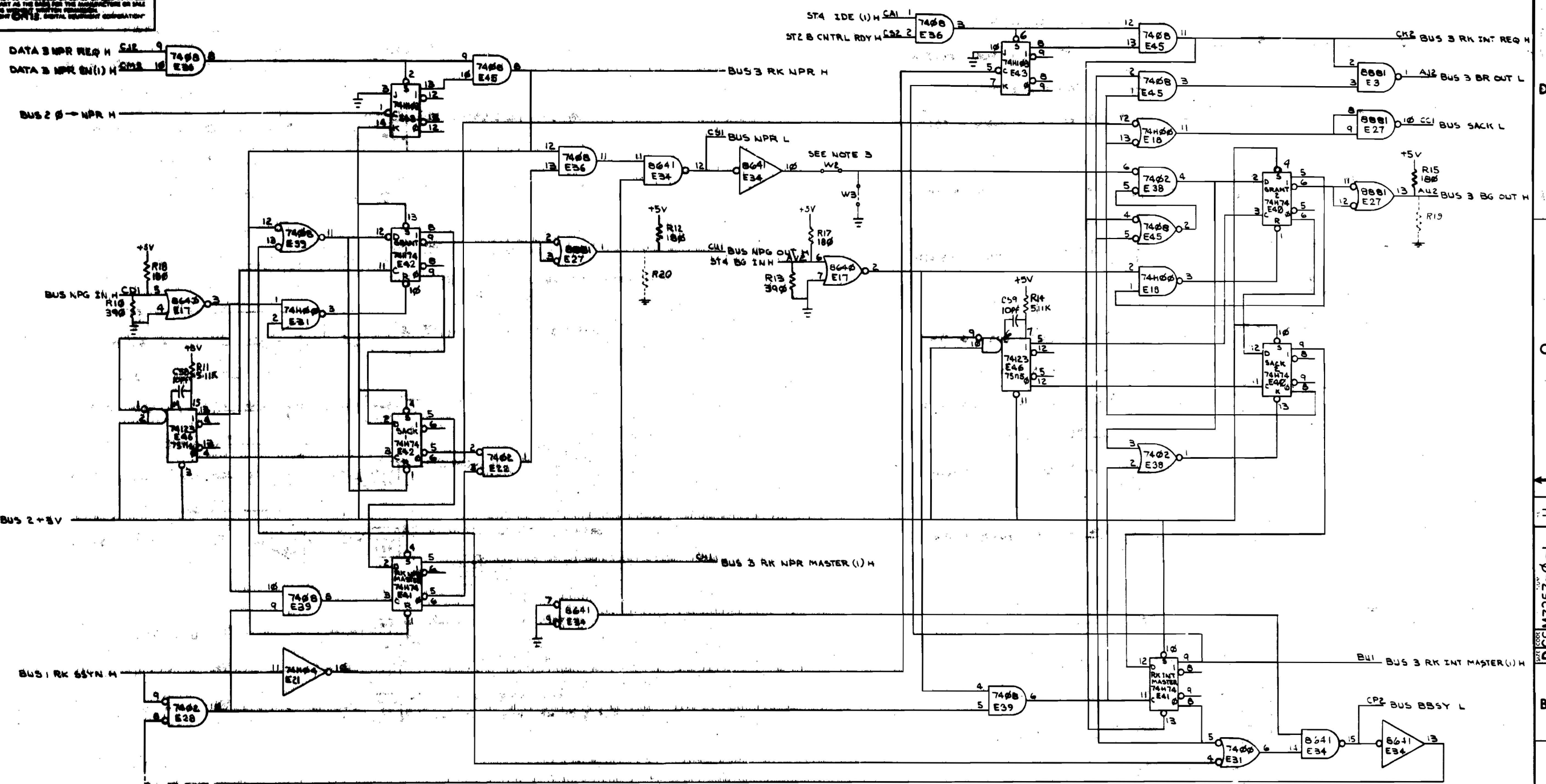


REV	
CHANGE NO	
CHK	

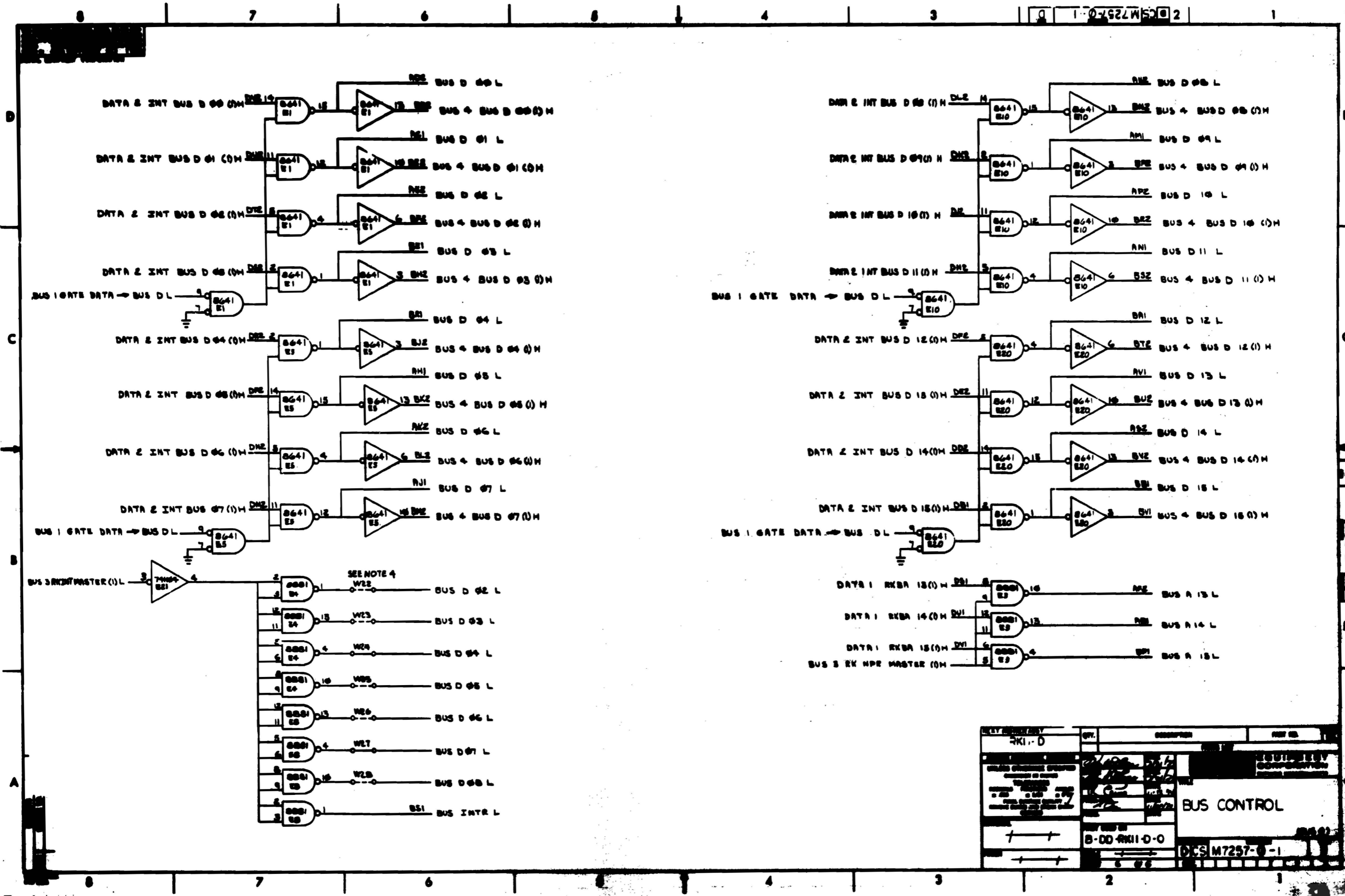
PART NO.	QTY.	DESCRIPTION	PART NO.	FILE NO.
RK11-D				
UNLESS OTHERWISE SPECIFIED DIMENSIONS IN INCHES				
TOLERANCES				
DIMENSIONAL	ANGLES	FINISH	DATE	TITLE
.001 - .005	± .02	AS SHOWN	11/20/73	BUS CONTROL (BUS 2)
REMOVE BURRS AND BREAK SHARP CORNERS SURFACE QUALITY 1				
MATERIAL	FINISH	SCALE	DATE	REV.
+	+	1/4" = 1"	11/20/73	E
NEXT HIGHER ASSY.		SCALE	DATE	REV.
B-70-RK11-D		1/4" = 1"	11/20/73	E
PART		QTY	DATE	REV.
DCS M7257-0-1		4 OF 6		

DCS M7257-0-1 E

THE DRAWING AND SPECIFICATION HEREIN ARE THE PROPERTY OF DIGITAL EQUIPMENT CORPORATION AND SHALL NOT BE REPRODUCED OR COPIED IN WHOLE OR IN PART AS THE BASIS FOR THE MANUFACTURE OR SALE OF ITEMS UNLESS WRITTEN PERMISSION IS GRANTED BY DIGITAL EQUIPMENT CORPORATION.



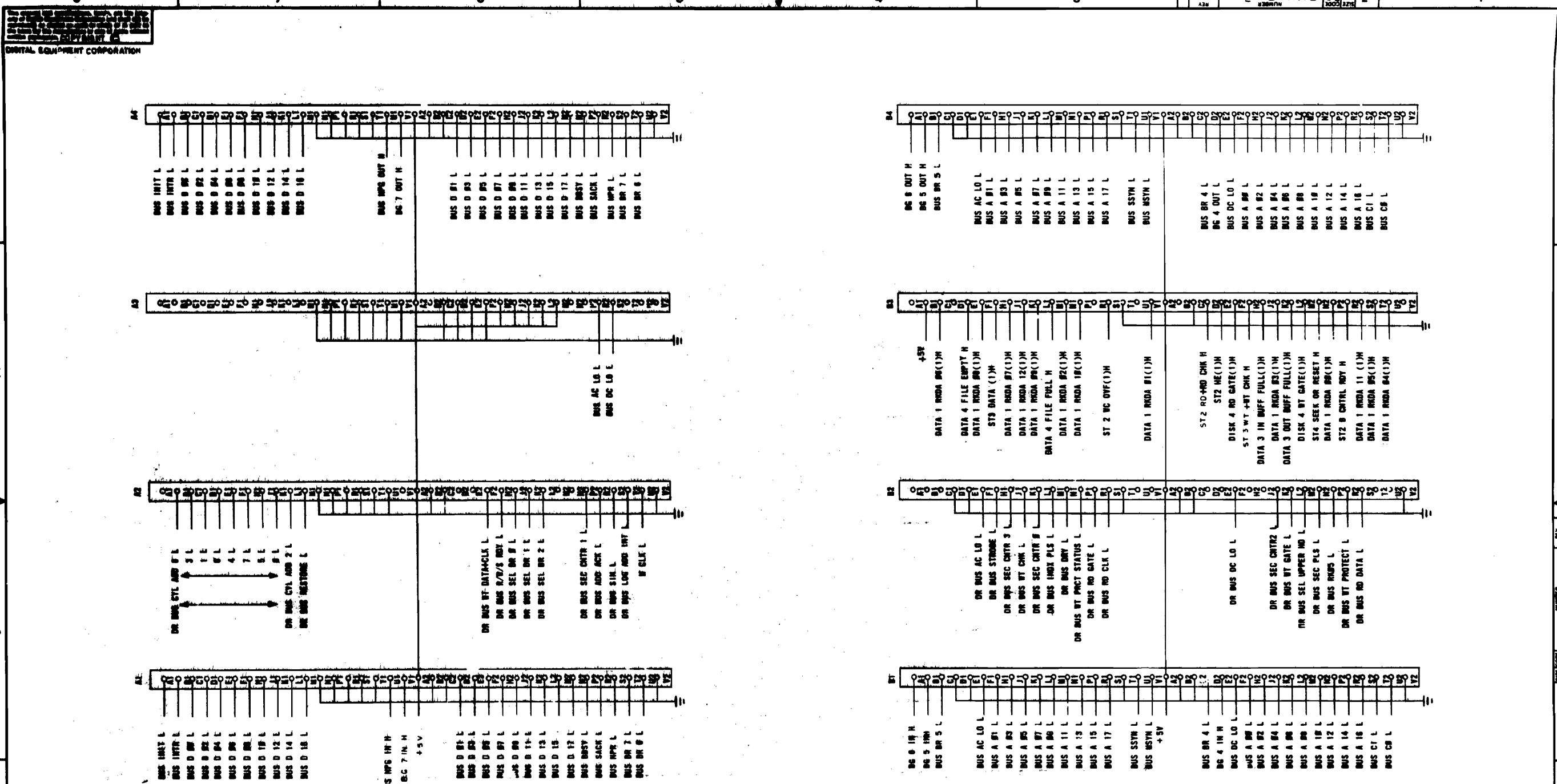
FIRST USED ON OPTION MODEL	QTY.	DESCRIPTION	PART NO.	ITEM NO.
RK11-D				
PARTS LIST				
UNLESS OTHERWISE SPECIFIED DIMENSION IN INCHES		DRN. DATE 7/27/73	digital EQUIPMENT CORPORATION MAYNARD, MASSACHUSETTS	
TOLERANCES		DATE 12/11	TITLE BUS CONTROL (BUS 3)	
DECIMALS	ANGLES	DATE 11-18-74		
.XXX - .005	-0 30'	DATE 1/19/77	REVISION D CS M7257-0-1	
.XX - .02		DATE 1/19/77		
.X - .1		DATE	REVISION R	
		DATE		
REMOVE BURRS AND BREAK SHARP CORNERS SURFACE QUALITY Y		MATERIAL		
NEXT HIGHER ASSY.		SCALE		
B-DD-RK11-D		SHEET 5 OF 6		
FINISH		DIST.		



REV.	DESCRIPTION	REV. NO.
1	INITIAL	1
2	REVISION	2
3	REVISION	3
4	REVISION	4
5	REVISION	5
6	REVISION	6
7	REVISION	7
8	REVISION	8
9	REVISION	9
10	REVISION	10
11	REVISION	11
12	REVISION	12
13	REVISION	13
14	REVISION	14
15	REVISION	15
16	REVISION	16
17	REVISION	17
18	REVISION	18
19	REVISION	19
20	REVISION	20

TITLE: BUS CONTROL  
 PART NO.: B-DD-4K11-D-0  
 DCS M7257-0-1





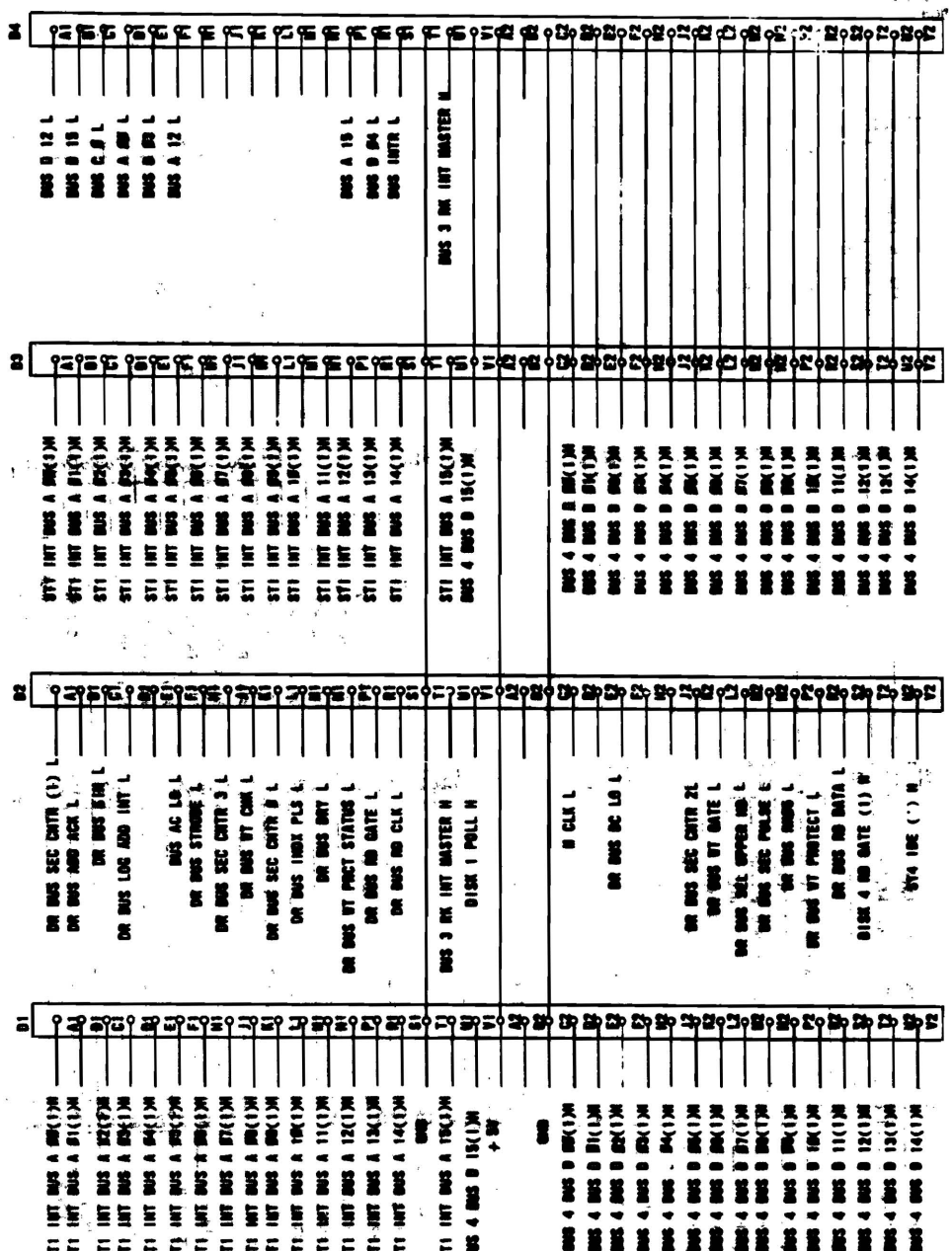
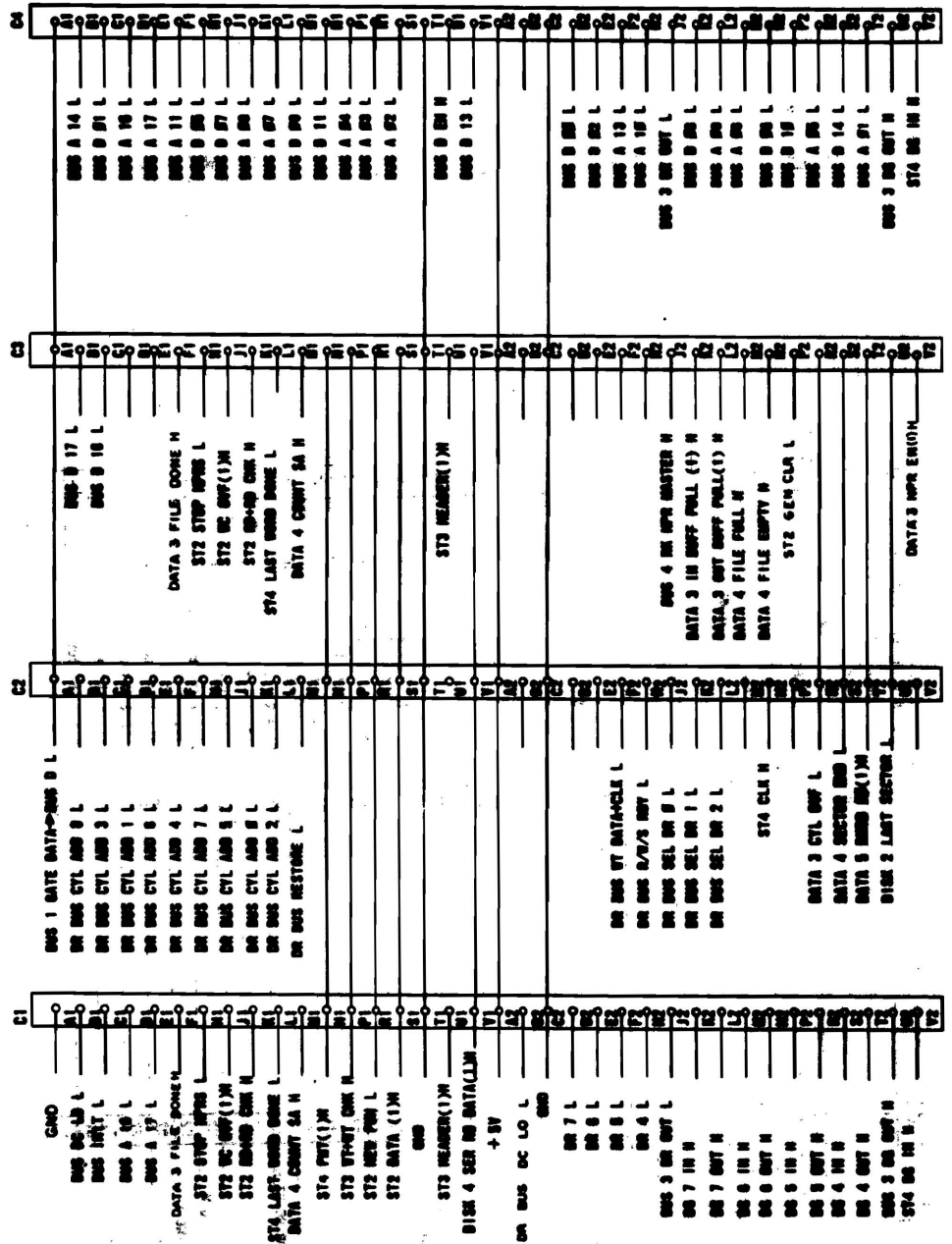
REV	
DATE	CHANGE NO.

FIRST USED ON OPTION/MODEL	QTY.	DESCRIPTION	PART NO.	ITEM NO.
<b>RK11-D</b>				
UNLESS OTHERWISE SPECIFIED DIMENSIONS IN INCHES		DATE 7-20-72		
TOLERANCES:		DATE 7/11/72		
DECIMALS	ANGLES	DATE 7/11/72		
X12 - .02	± 0° 30'	DATE 7/11/72		
X . . . - .1		DATE 7/11/72		
REMOVE BURRS AND BREAK SHARP CORNERS SURFACE QUALITY		DATE 7/11/72		
MATERIAL	NEXT NUMBER AWAY			
+	E-00-RK11-D			
FINISH	SCALE	TITLE		
+	1	RK11-D BACKPANEL		
SHEET 2 OF		SIZE/COD. NUMBER		REV.
		D1C RK11-D-3		

PART NO. D1C RK11-D-3

DIGITAL EQUIPMENT CORPORATION

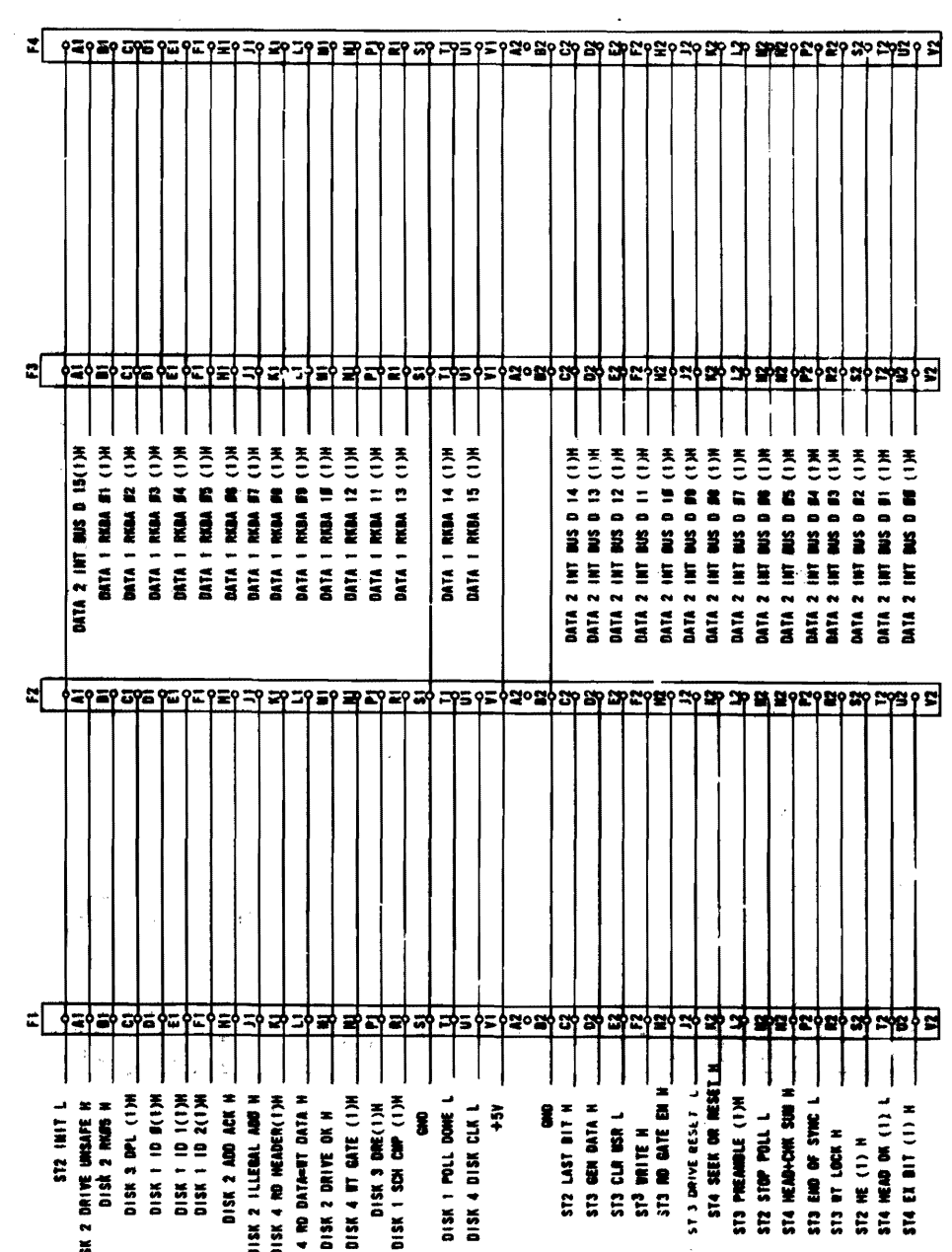
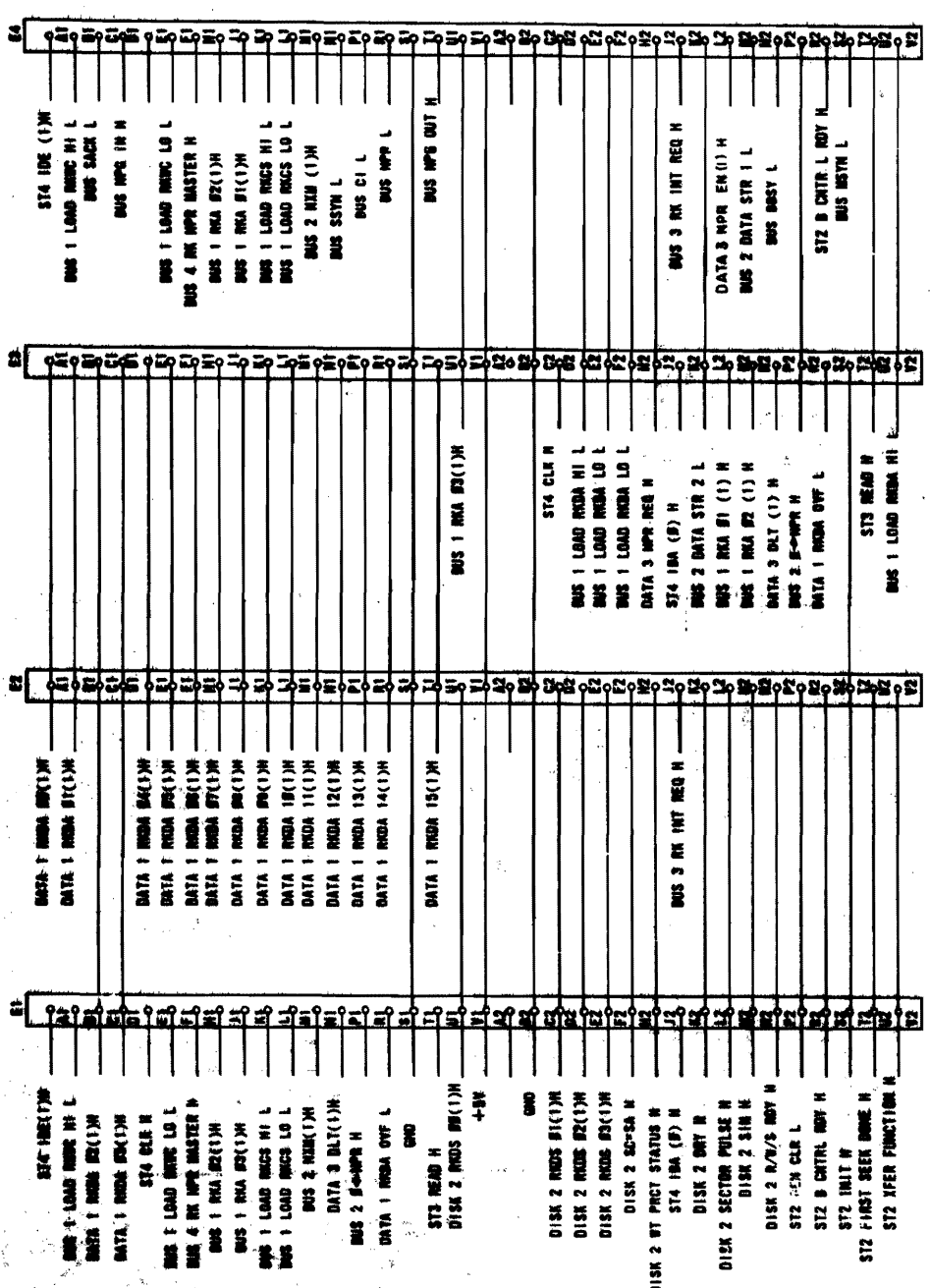
37



PARTS LIST		QTY.	DESCRIPTION	PART NO.	REV.
<b>RKII-D</b>					
UNLESS OTHERWISE SPECIFIED DIMENSIONS IN INCHES					
TOLERANCES					
DECIMALS	ANGLES				
.XX - .99	± .005				
.XX - .99	± .005				
REMOVE BURRS AND BREAK SHARP CORNERS SURFACE QUALITY					
MATERIAL					
NEXT HIGHER ASSY.					
FINISH					
DATE		DATE		DATE	
BY		BY		BY	
CHECKED		CHECKED		CHECKED	
APPROVED		APPROVED		APPROVED	
TITLE			EQUIPMENT CORPORATION		
RKII-D BACKPANEL			DICKINSON		
DICKINSON			NUMBER		
DICKINSON			REV. C		

DIGITAL EQUIPMENT CORPORATION

A B C D



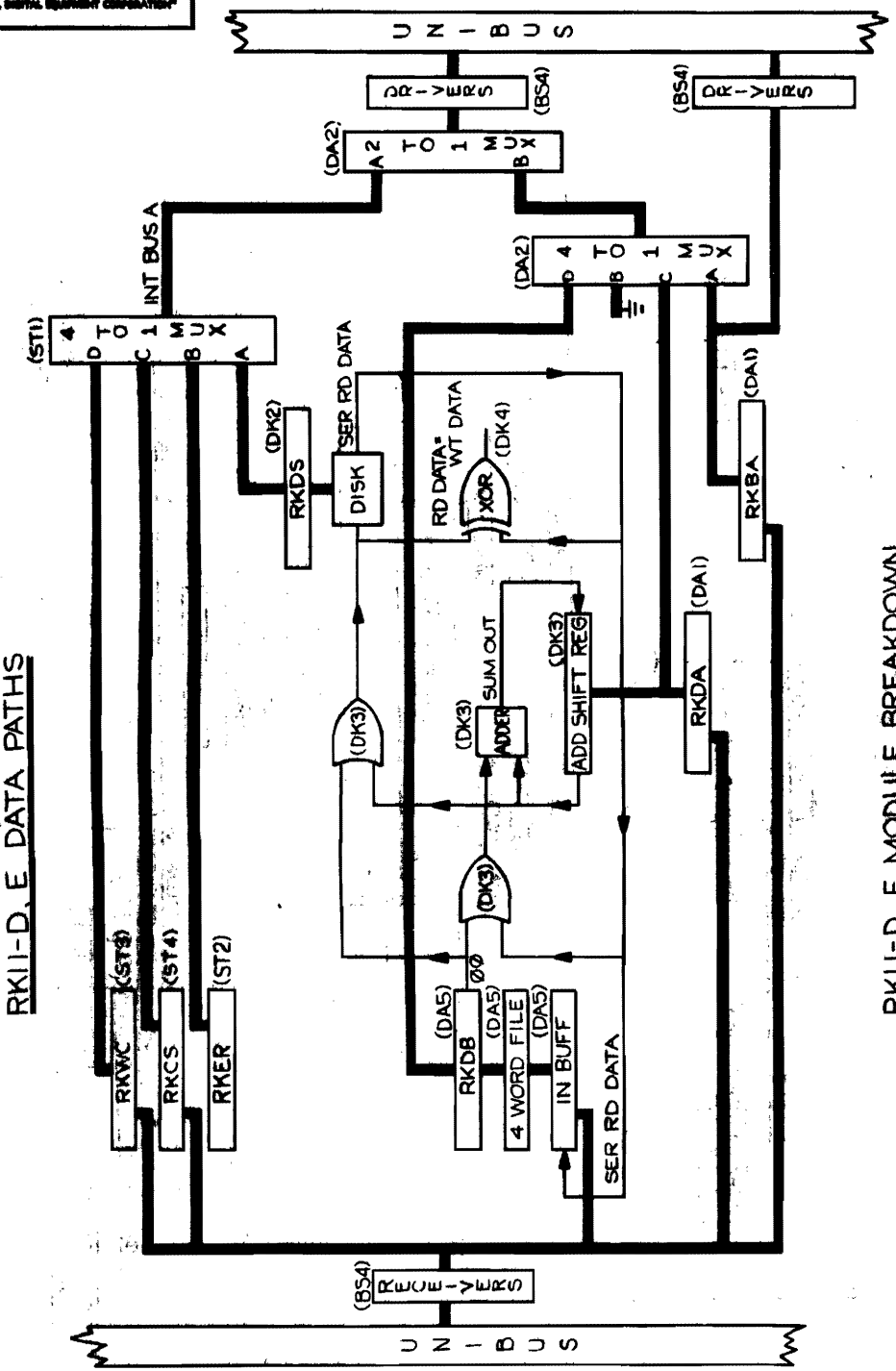
FIRST USED ON OPTION/MODEL	QTY.	DESCRIPTION	PART NO.	ITEM NO.
RKII-D				
UNLESS OTHERWISE SPECIFIED DIMENSION IN INCHES TOLERANCES				
DECIMALS	ANGLES	DATE		
XXX - 000	10° 30'	DATE		
XX - 00		DATE		
X - 1		DATE		
REMOVE BURRS AND BREAK SHARP CORNERS SURFACE QUALITY				
MATERIAL	NEXT HIGHER ASSY.			
FINISH	B-DD-RKII-D	SIZE CODE	NUMBER	REV.
	SCALE	DIC	RKII-D-3	A
	SHEET 4 OF	DRGT.		

RKII-D BACKPANEL

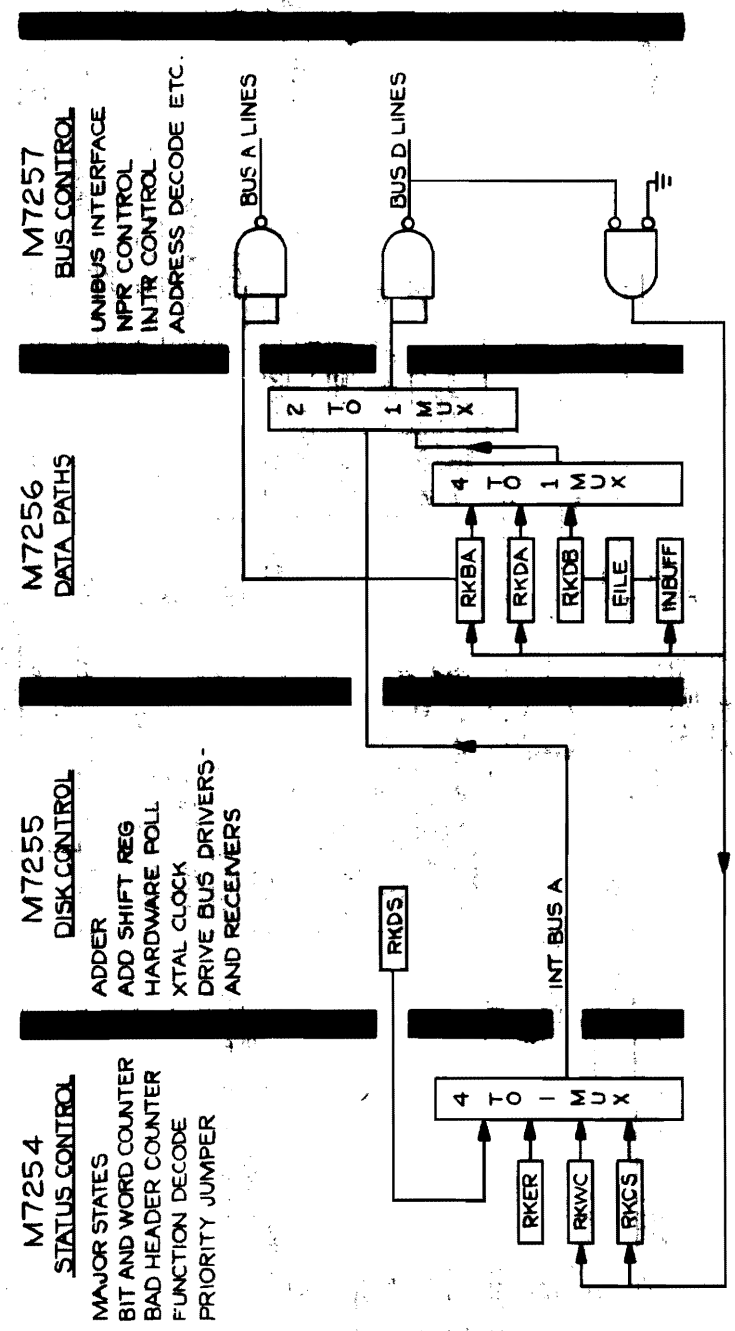
REVISIONS  
 CHK CHGNGE NO. REV.  
 39

DESIGNATES PARALLEL TRANSFER  
 DESIGNATES SERIAL TRANSFER

**RK11-D, E DATA PATHS**

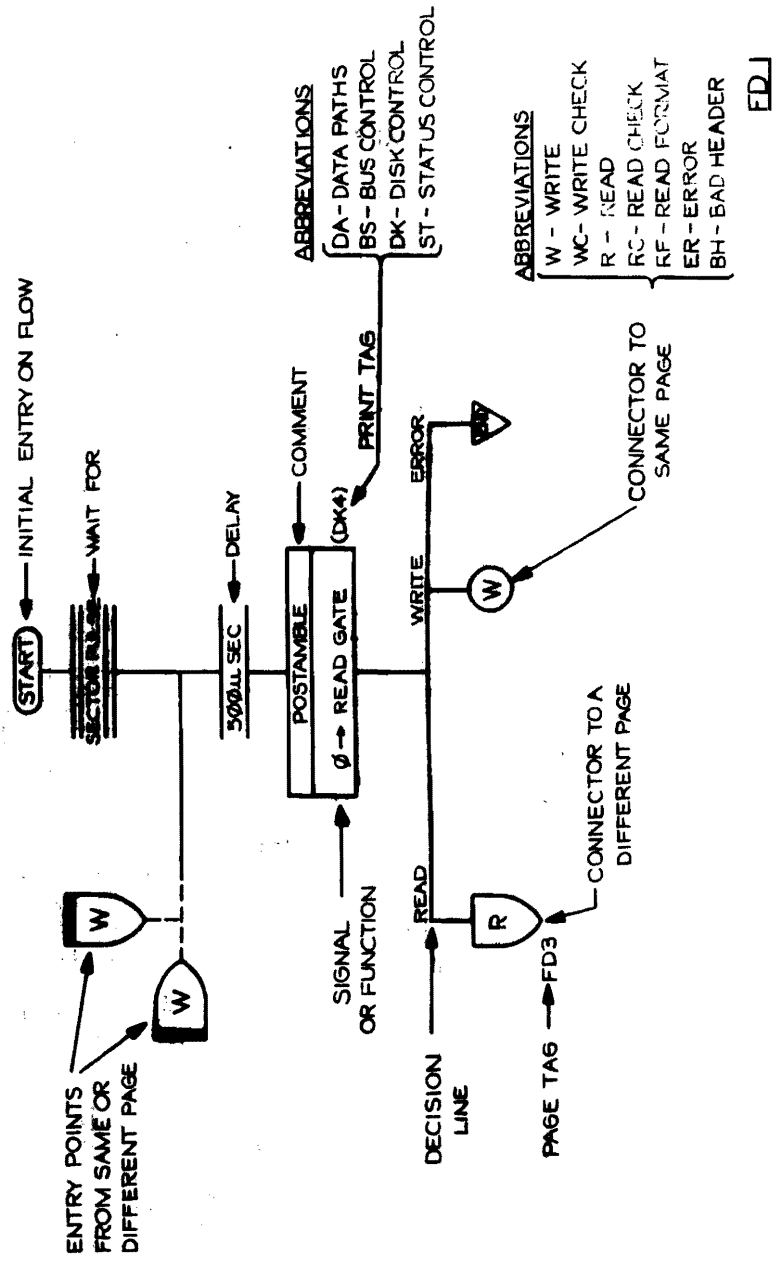


**RK11-D, E MODULE BREAKDOWN**



PART NUMBER ON DRAWING		QTY.	DESCRIPTION	PART NO.	FIG. NO.
RK11-D					
DIGITAL					
DATE		DATE		DATE	
2-20-74		3-75-74			
TITLE					
RK11-D, E FUNCTION FLOWS					
PART NO.		SCALE		REV.	
B-DD-RK11-D		D FD		RK11-D-9	
PAGE		OF		REV.	
1		5		1	

**FLOW DRAWING EXAMPLE**

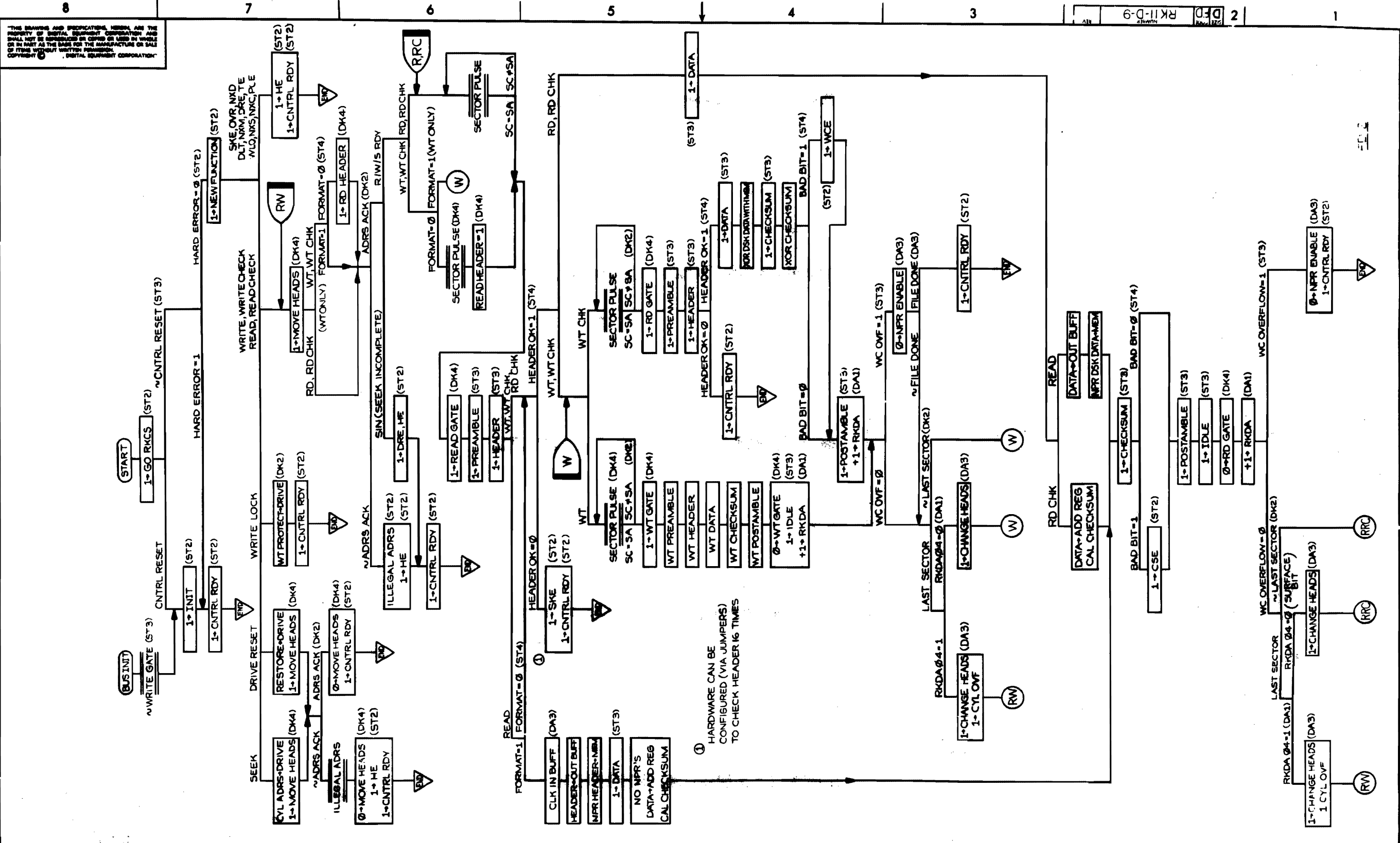


ABBREVIATIONS  
 W - WRITE  
 WC - WRITE CHECK  
 R - READ  
 RC - READ CHECK  
 RF - READ FORMAT  
 ER - ERROR  
 BH - BAD HEADER

FD

REVISIONS		
CHK	CHANGE NO.	REV.

GWZKRA J FLOW DRAWING

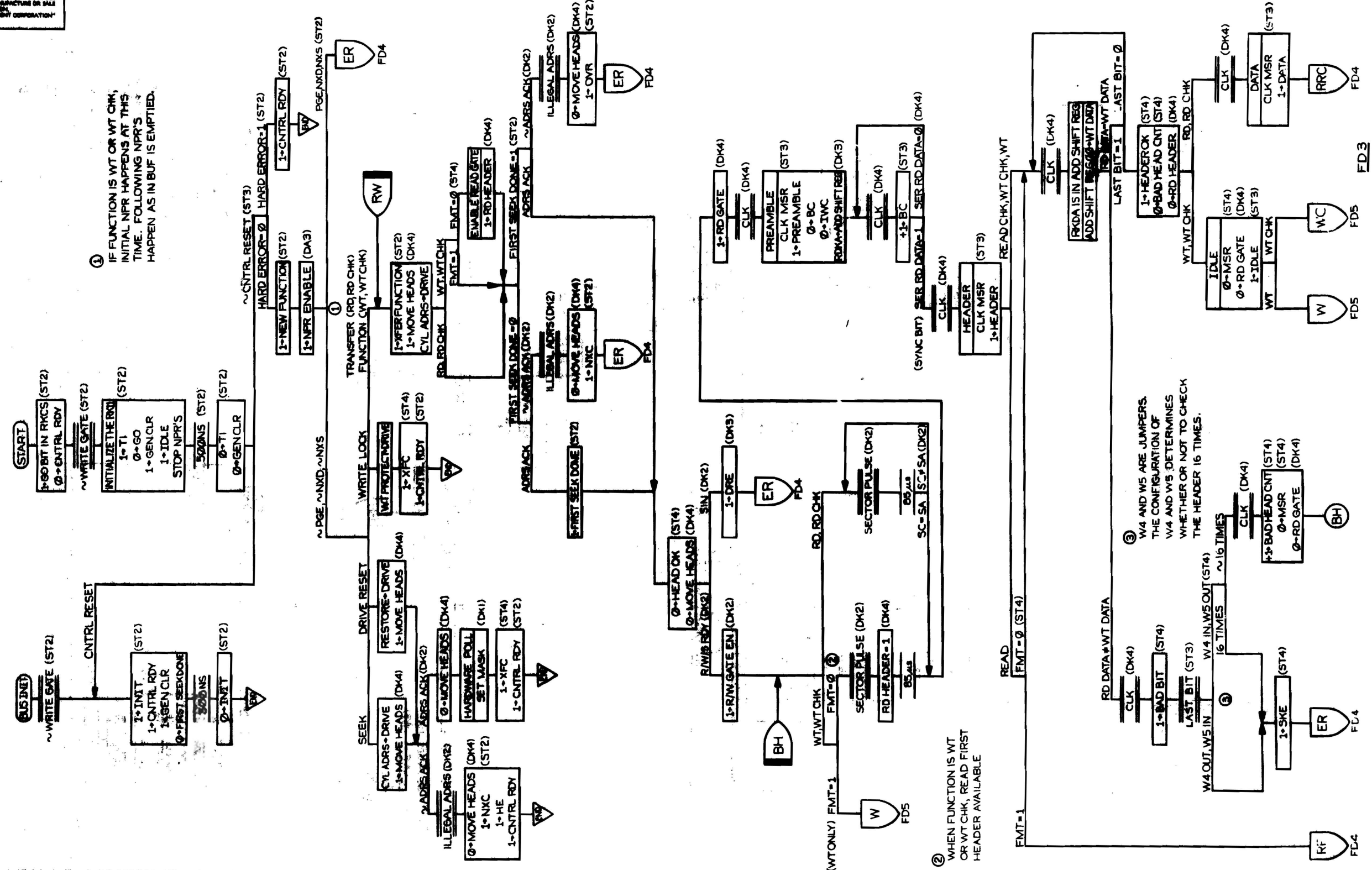


TITLE	RK11-D,E FUNCTION FLOWS	SIZE CODE	DFD	NUMBER	RK11-D-9	REV.	
SCALE	SHEET	2 OF 5	DIST.				

THIS DRAWING AND SPECIFICATIONS HEREIN ARE THE PROPERTY OF DIGITAL EQUIPMENT CORPORATION AND SHALL NOT BE REPRODUCED OR COPIED OR USED IN WHOLE OR IN PART AS THE BASIS FOR THE MANUFACTURE OR SALE OF ITEMS WITHOUT WRITTEN PERMISSION. COPYRIGHT © DIGITAL EQUIPMENT CORPORATION

THIS DRAWING AND SPECIFICATION HEREBY ARE THE PROPERTY OF DIGITAL EQUIPMENT CORPORATION AND SHALL NOT BE REPRODUCED OR COPIED OR USED IN WHOLE OR IN PART AS THE BASIS FOR THE MANUFACTURE OR SALE OF ITEMS WITHOUT WRITTEN PERMISSION OF DIGITAL EQUIPMENT CORPORATION.

① IF FUNCTION IS WT OR WT CHK, INITIAL NPR HAPPENS AT THIS TIME. FOLLOWING NPR'S HAPPEN AS IN BUF IS EMPTIED.



REVISIONS		
CHK	CHANGE NO.	REV.

41

THIS DRAWING AND SPECIFICATIONS HEREIN ARE THE PROPERTY OF DIGITAL EQUIPMENT CORPORATION AND SHALL NOT BE REPRODUCED OR COPIED OR USED IN WHOLE OR IN PART AS THE BASIS FOR THE MANUFACTURE OR SALE OF THIS WITHOUT WRITTEN PERMISSION DIGITAL EQUIPMENT CORPORATION

8

7

6

5

4

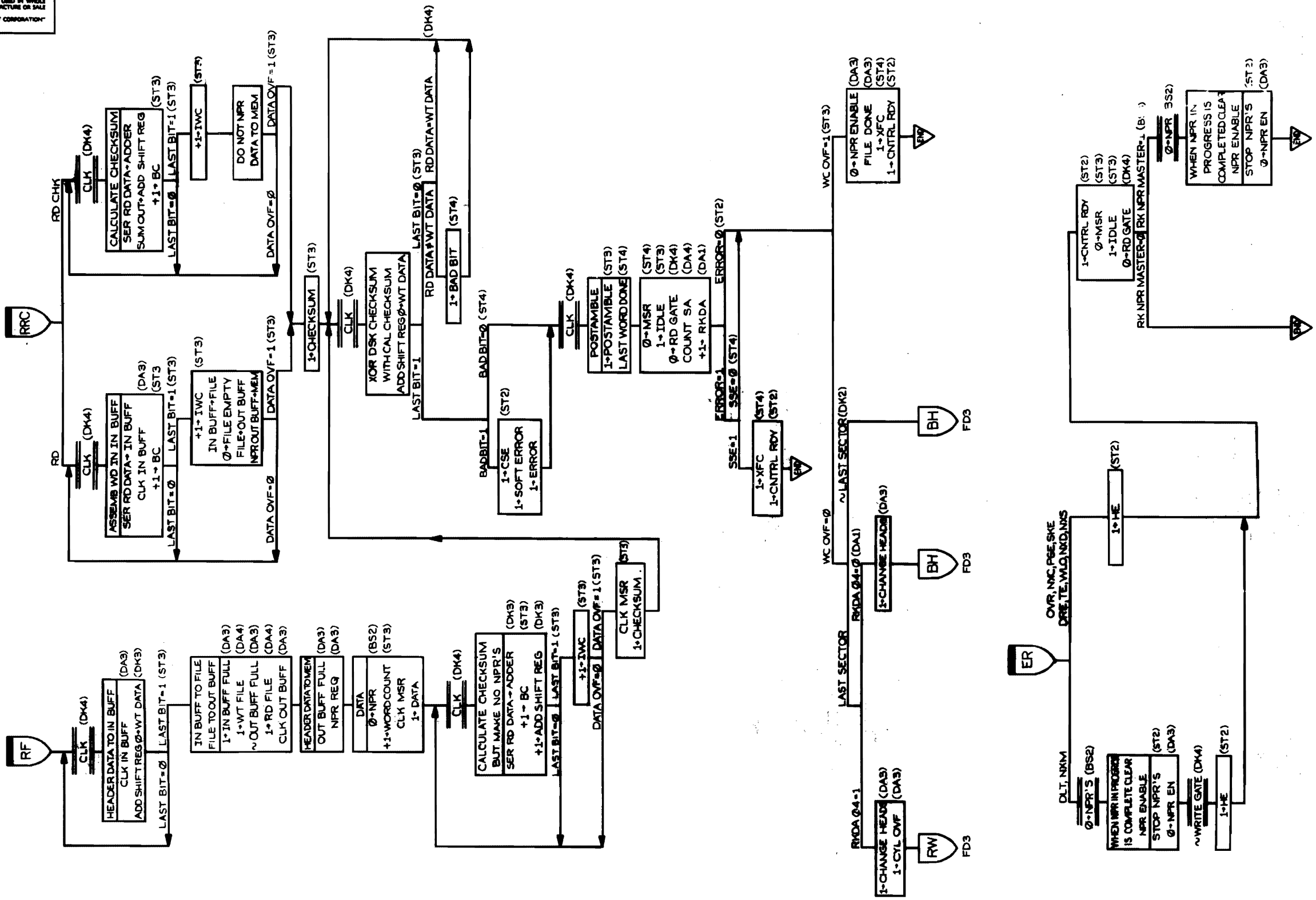
3

RK11-D-9

DIGITAL EQUIPMENT CORPORATION

2

1

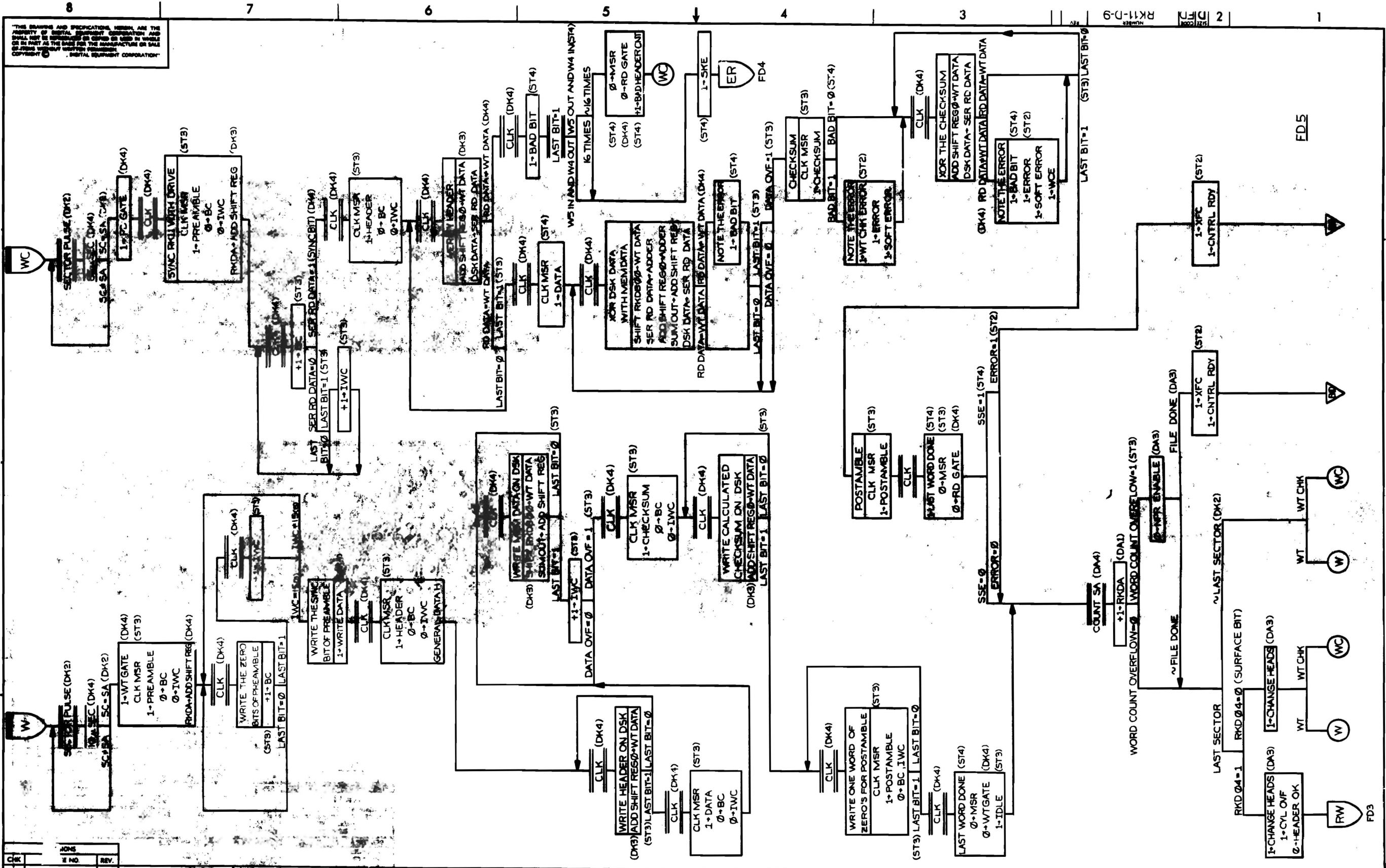


REVISIONS		
CHK	CHANGE N.	REV.

TITLE	RK11-D-9 FUNCTION FLOWS	SIZE CODE	NUMBER	REV.
SCALE	SHEET 4 OF 5	DATE	RK11-D-9	

FD 4

42



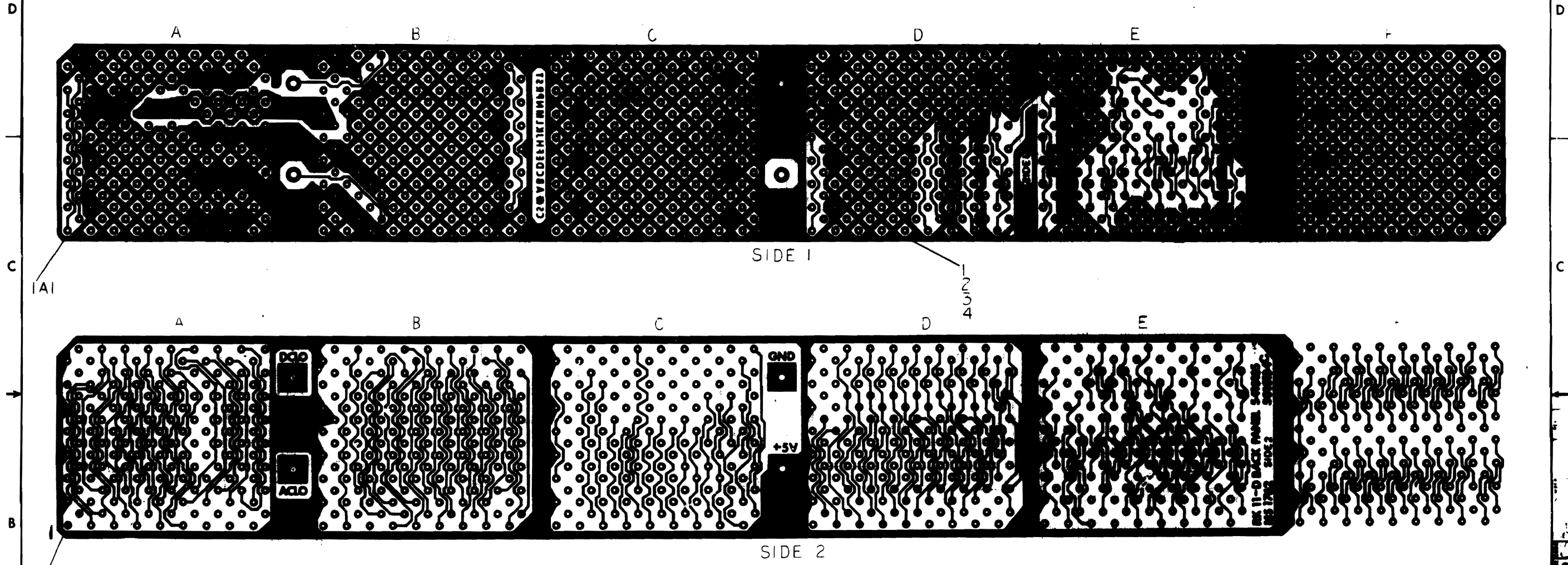
AB

RK11-D-9  
REV. 1

8 7 6 5 4 3 2 1

This drawing and specifications, herein, are the property of Digital Equipment Corporation and shall not be reproduced or copied in whole or in part in any form for the manufacture or sale of any printed circuit board without the written permission of Digital Equipment Corporation. COPYRIGHT ©

10-1011-2



REV.	CHG.	NO.	DATE
A	ORIGINATED	5410185-00001	7-13-74
B	MINOR	5410185-00002	7-13-74

AWT REVISION STATUS	A-WT-7002142-0	6
ETCH/DRILL LST (PANH-D)	K-REV-PANH-D-2	5
ETCHED CIRCUIT BOARD	SC11159	4
MODULE ECO HISTORY	0-MH-001083-04	3
ASST/DRILLING HOLE LAYOUT	PAN-5410185-0-5	2
X-Y COORDINATE HOLE LAYOUT	K-CO-5410185-0-1	1

REV.	DESCRIPTION	PART NO.	DATE
1			

UNLESS OTHERWISE SPECIFIED	USE THE FOLLOWING
DRILLING TOLERANCE	±0.005
PLATING TOLERANCE	±0.005
ETCH TOLERANCE	±0.005
WELDING TOLERANCE	±0.005

EQUIPMENT CORPORATION	
CIRCUIT SCHEMATIC (RKII-D)	
NUMBER	REV.
DCS 5410185-0-1	B

8 7 6 5 4 3 2 1

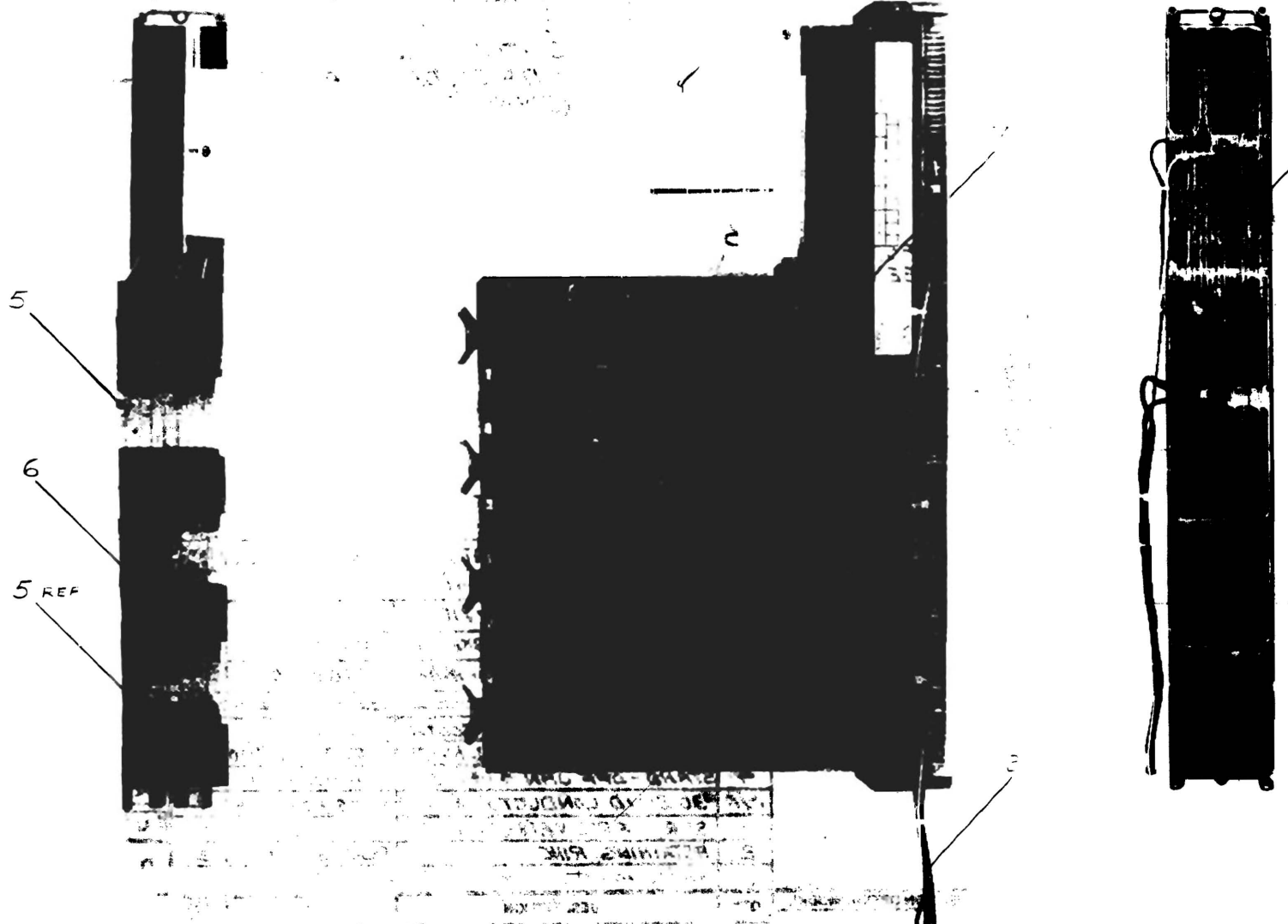
44

This drawing and specifications herein are the property of Digital Equipment Corporation and shall not be reproduced or copied or used in whole or in part in any manner without the express written consent of Digital Equipment Corporation. COPYRIGHT © DIGITAL EQUIPMENT CORPORATION

WIRE TABLE			
ITEM NO	DESCRIPTION	COLOR	CONNECTION TO RKII-D
2	18	VIO	DC LS
	18	YEL	AC LO
	17	BLK	GND
	17	RED	+5V

LEGEND	
OPTION	VARIATION
RKII-D	DISK CONTROL
RKII-E	DISK CONTROL
RKII-DE	RKII-D WITH RK05-DE
RKII-DF	RKII-D WITH RK05-DF
RKII-DH	RKII-D WITH RK05-DH
RKII-DJ	RKII-D WITH RK05-DJ
RKIIJ-DE	RKII-D WITH RK05J-DE
RKIIJ-DF	RKII-D WITH RK05J-DF
RKIIJ-DH	RKII-D WITH RK05J-DH
RKIIJ-DJ	RKII-D WITH RK05J-DJ
RKIIJ-DK	RKII-D WITH RK05J-DK
RKIIJ-DM	RKII-D WITH RK05J-DM
RKIIJ-DN	RKII-D WITH RK05J-DN

- NOTES:
- ITEM 17 IS MADE UP OF ITEMS 1 THRU 8 AND 10 THRU 12.
  - USE RKII-D OPTION HARNESS 7009559 IN I/40 SYSTEMS WITH S/N GREATER THAN 6000 AND I/45 SYSTEMS WITH S/N GREATER THAN 2000. OLDER MACHINES REQUIRE RKII-D POWER HARNESS 7008992. PDP 11/20 AND PDP 11/15 SYSTEMS AND RA-ES BOXES USE NO POWER HARNESS OTHER THAN THAT SUPPLIED INTERNAL TO THE BOX. BAI-D BOXES REQUIRE RKII-D POWER HARNESS 7008992.
  - ITEM 00A IS INSTALLED ON THE M7255 MODULE DURING SYSTEM INTEGRATION.



RKII-DN	RKIIJ-DM	RKIIJ-DL	RKIIJ-DK	RKIIJ-DJ	RKIIJ-CH	RKIIJ-DF	RKIIJ-DE	RKII-DJ	RKII-DH	RKII-DF	RKII-DE	RKII-E	RKII-D	DESCRIPTION	QTY	PART NO.
														CAB, RK05J 230V 50HZ	1	RK05J-DN
														CAB, RK05J 115V 50HZ	1	RK05J-DK
														CAB, RK05J 230V 60HZ	1	RK05J-DL
														CAB, RK05J 115V 60HZ	1	RK05J-DK
														TALL CAB, 061, RK05J 230V 50HZ	1	RK05J-DJ
														TALL CAB, 061, RK05J 5V 50HZ	1	RK05J-DH
														TALL CAB, 061, RK05J 230V 60HZ	1	RK05J-DF
														TALL CAB, 061, RK05J 115V 60HZ	1	RK05J-DE
														DISK CONTROL	1	RKII-D
														TALL CAB, 061, RK05 115V 60HZ	1	RK05-DE
														TALL CAB, 061, RK05 230V 60HZ	1	RK05-DF
														TALL CAB, 061, RK05 115V 50HZ	1	RK05-DH
														TALL CAB, 061, RK05 230V 50HZ	1	RK05-DJ
														INTERNAL BUS CONNECT	1	C-05-M720-D-1
														BUS TERMINATOR	1	C-05-M720-D-1
														ADJINT MODULE OVERLAY/DRW	1	C-05-M720-D-1
														3.070 MHE CRYSTAL	1	18-10699-9
														3.080 MHE CRYSTAL	1	18-10699-3
														PRIORITY PLUG LEVEL 5	1	5908778
														MODULE CLAMPS WITHOUT SCREWS	1	18-09856-2
														MODULE CLAMPS WITH SCREWS	2	18-09856-1
														MODULE VENTILATION	1	C-05-M720-D-1
														CABLE 15 FT	1	D-1A-7009559-04
														OPTION HARNESS	1	D-1A-7009559-04
														WIRED AS SHOWN	1	C-1A-7009559-04

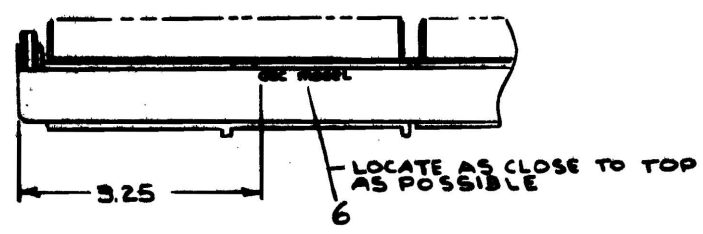
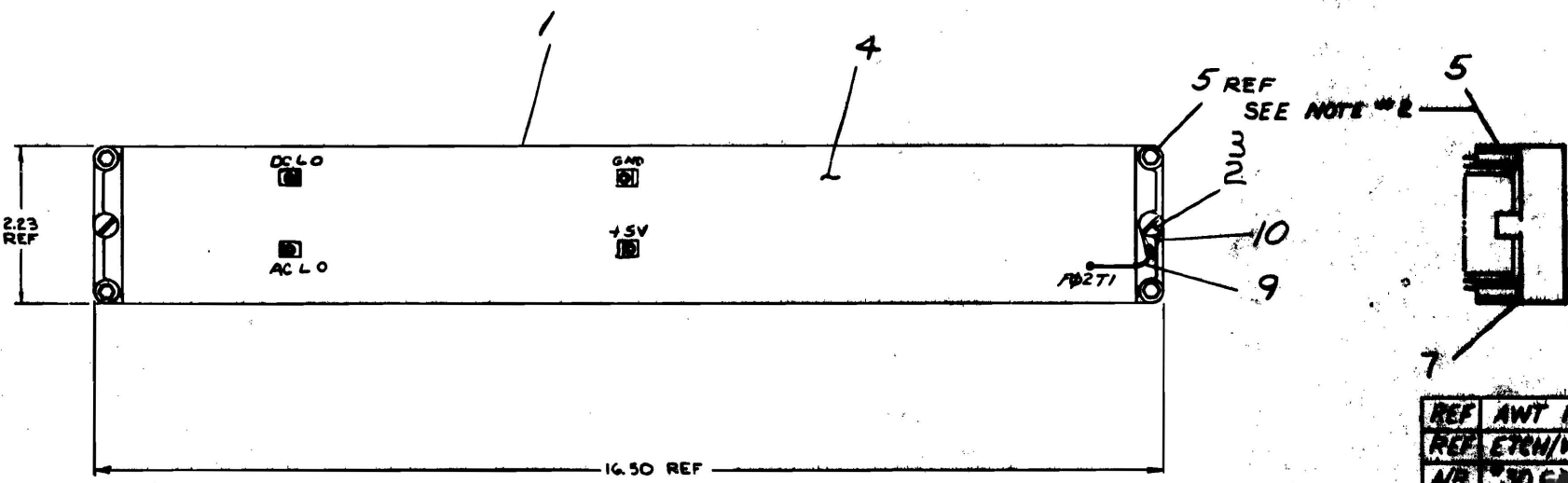
REV	DATE	BY	CHKD	APP'D
1	11-12-75	R. C. BORG		
2	11-12-75	R. C. BORG		
3	11-12-75	R. C. BORG		
4	11-12-75	R. C. BORG		
5	11-12-75	R. C. BORG		
6	11-12-75	R. C. BORG		
7	11-12-75	R. C. BORG		
8	11-12-75	R. C. BORG		

UNLESS OTHERWISE SPECIFIED DIMENSIONS IN INCHES TOLERANCES		PARTS LIST	
DECIMALS	ANGLES	EQUIPMENT CORPORATION	
.XXX - .005	± 30'	DISK CONTROL	
.XX - .01		DUA RKII-O-O	
.X - .1		REV. C	
REMOVE BURRS AND BREAK SHARP CORNERS SURFACE QUALITY		MATERIAL	
FINISH		B-DD-RKII-D	
		SALE NONE	
		QTY 1 OF 1	

45

This drawing and specifications, herein, are the property of Digital Equipment Corporation and shall not be reproduced or copied or used in whole or in part as the basis for the manufacture or sale of items without written permission.

- NOTES:
1. USE YELLOW WIRE ITEM #4 FOR MACHINE WRAPPED.
  2. INSTALL STAND-OFFS (ITEM #5) BEFORE AWT.
  3. FOR CIRCUIT SCHEMATIC REFER TO D-CS-54101B5-0-1
  4. GROUND BACKPANEL BY WIRE WRAPPING A BLK 24 AWG WIRE (ITEM #9) ON PIN F02T1 AND ATTACH OTHER END UNDER CAPTIVE SCREW (ITEM #3) WITH SOLDER TERMINAL (ITEM #10)



REF	AWT	REVISION	STATUS	A-WT-7009142-0	13
REF	ITEM/WIRE LIST	(RK11-D)		K-WL-RK11-D-2	12
NR	30GA TWP	GREY/VIO.		9107773-87	11
1	LOCKING TERMINAL SHAKPROOF			9006766	10
N/A	30 SOLID CONDUCTOR BLK KYMAR			9107688-00	9
				9001370-0-0	8
4	LOCKING WIRE EXT TYPATH			9007649	7
1	SCREW 30 GA 10 SPECIAL NUMBER			A-SS-740796-00	6
4	STAND-OFF JAN 4196 B			9009120-1	5
N/A	30 SOLID CONDUCTOR KYMAR			9105790-99	4
2	SCR CAPTIVE (8-3RX 1 38)			9008157	3
2	RETAINING PIN			9009316-1	2
1	BACK PANEL (RK11-D)			D-PA-700913100	1

FIRST USED ON OPTION/MODEL	QTY.	DESCRIPTION	PART NO.	ITEM NO.
RK11-D				
PARTS LIST				
UNLESS OTHERWISE SPECIFIED DIMENSION IN INCHES TOLERANCES		DATE	digital EQUIPMENT CORPORATION MAYNARD MASSACHUSETTS	
DECIMALS	ANGLES	DATE	TITLE	
.XXX - .005	16° 30'	DATE	WIRED ASS'Y (RK11-D)	
.XX - .02		DATE		
.X - .1		DATE		
REMOVE BURRS AND BREAK SHARP CORNERS SURFACE QUALITY		DATE		
MATERIAL	NEXT HIGHER ASSY.	DATE		
	B-DD-RK11-D	DATE		
FINISH	SCALE	DATE		
	1 OF 1	DATE		
		DIST.		

REV.	DATE	BY	CHKD
A	10-21-76		
B	11-12-73		
C	6-4-74		
76	28 Oct. 76		
77	10-29-77		

BRUNING 40-107 15993

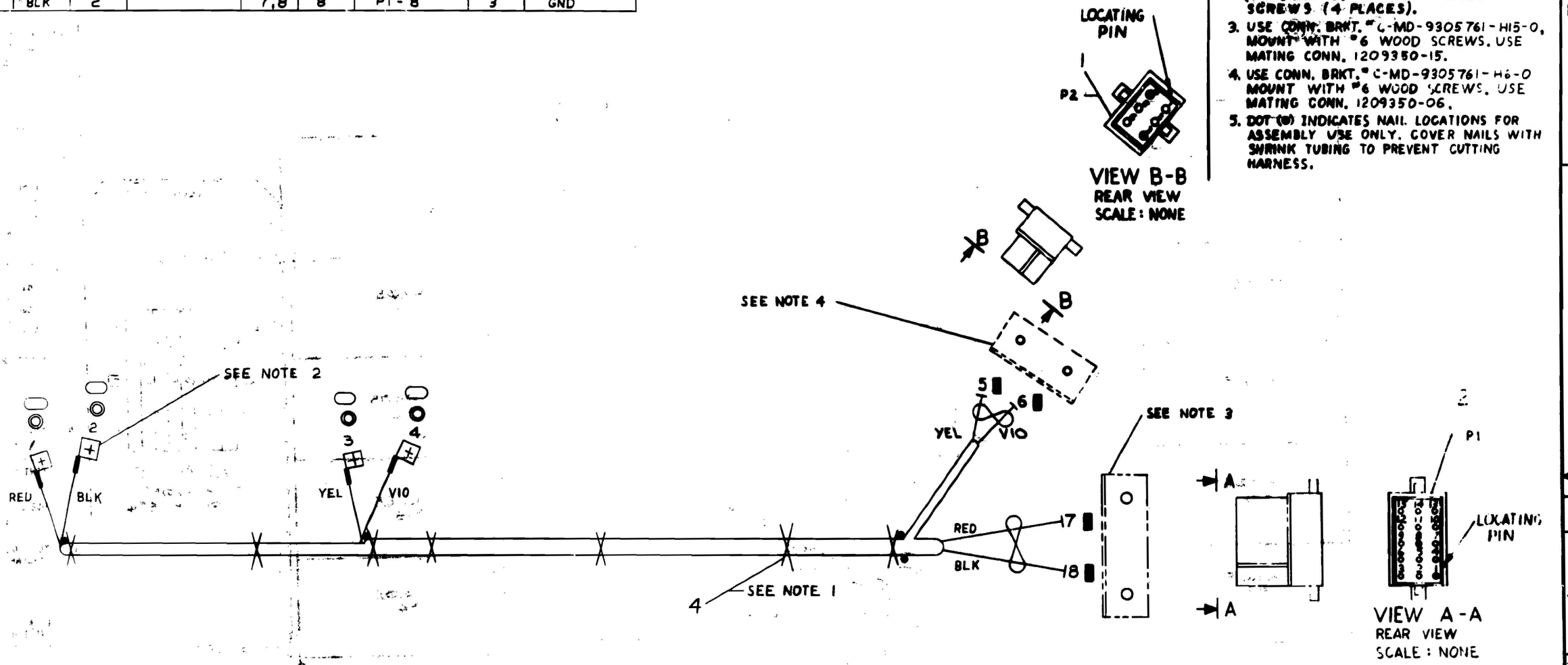
CIA 7009142-0-0 C

B

A

ITEM NO	DESCRIPTION		FROM				TO		SIGNAL
	AWG	COLOR	POINT	CONNECTION	TERM	POINT	CONNECTION	TERM	
6	#18	YEL	3		7,8	5	P2-4	3	AC LO
TWP	#18	VIO	4		7,8	6	P2-3	3	DC LO
5	#14	RED	1		7,8	7	P1-1	3	+5
TWP	#14	BLK	2		7,8	8	P1-8	3	GND

- NOTES:
- USE TIE WRAPS (X) ITEM #4 APPROXIMATELY EVERY THREE (3) INCHES WHEN NECESSARY, AND AT EVERY BREAKOUT POINT.
  - ATTACH MALE FASION DEC # (900219-0) WITH #4 WOOD SCREWS (4 PLACES).
  - USE CONN. BRKT. # C-MD-9305761-H15-0, MOUNT WITH #6 WOOD SCREWS, USE MATING CONN. 1209350-15.
  - USE CONN. BRKT. # C-MD-9305761-H6-0 MOUNT WITH #6 WOOD SCREWS, USE MATING CONN. 1209350-06.
  - DOT (•) INDICATES NAIL LOCATIONS FOR ASSEMBLY USE ONLY. COVER NAILS WITH SHRINK TUBING TO PREVENT CUTTING HARNESS.

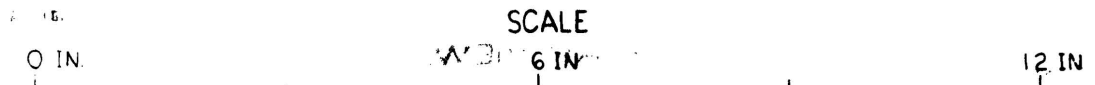


SYMBOL	DESCRIPTION	PART NO.	ITEM NO.
○	A/R TUBING, SHRINKABLE 3/16 I.D.	9107305-02	8
○	CONN, SOLDERLESS	9009262-00	7
○	A/R WIRE, #18 AWG TWP YEL/VIO	9107430-47	6
○	A/R WIRE, #14 AWG TWP BLK/RED	9107440-02	5
X	A/R WRAP, TIE	9007031	4
■	PIN, MALE	1209378-01	3
□	HOUSING, CONN. 15 PIN	1209351-15	2
□	HOUSING, CONN. 6 PIN	1209351-06	1

FIRST USED ON OPT/ MOD.		SYMBOL	QTY.	DESCRIPTION	PART NO.	ITEM NO.
RK11-D						
UNLESS OTHERWISE SPECIFIED DIMENSION IN INCHES		DRN	DATE	PARTS LIST		
TOLERANCES		CHK'D	DATE	digital EQUIPMENT CORPORATION		
DECIMALS	ANGLES	ENG	DATE	TITLE		
.XXX - .005	±0° 30'	PROJ. ENG.	DATE	OPTION HARNESS		
.XX - .02		PROD. ENG.	DATE	RK11-D		
.X - .1		PROD. MGR.	DATE	SIZE CODE		
REMOVE BURRS AND BREAK SHARP CORNERS SURFACE QUALITY V		FINISH	SCALE	D 1A 7009559-0-0		
MATERIAL		SEE PARTS LIST	SHEET	OF 1		

**CAUTION - DRAWING SIZE AND SCALE REDUCED FOR MICROFILM NOT TO BE USED FOR PRODUCTION**

DO NOT REDUCE  
DO NOT BUILD FROM REDUCED PRINT

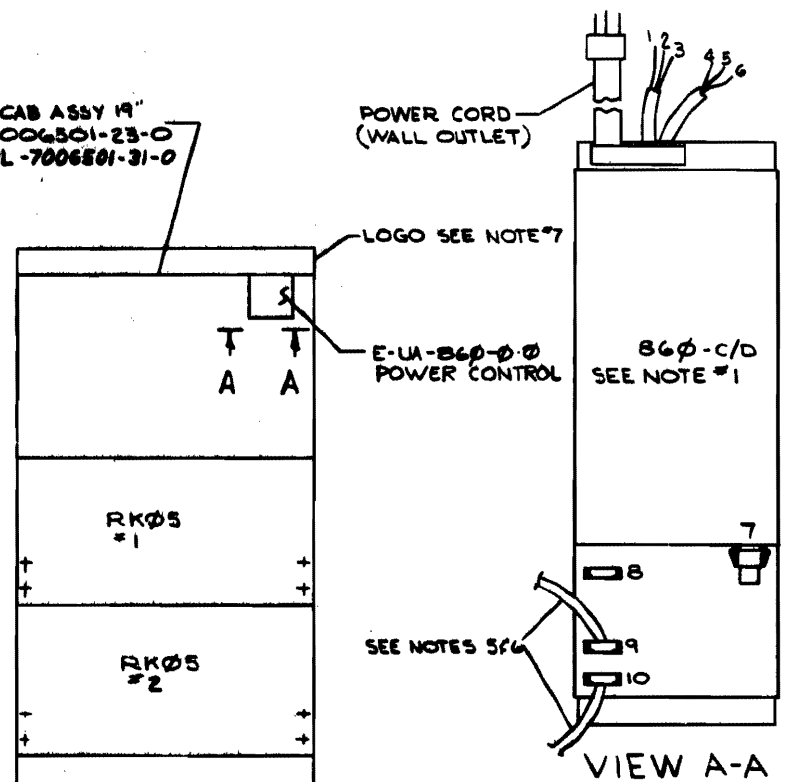


REV	NO	DATE	DESCRIPTION

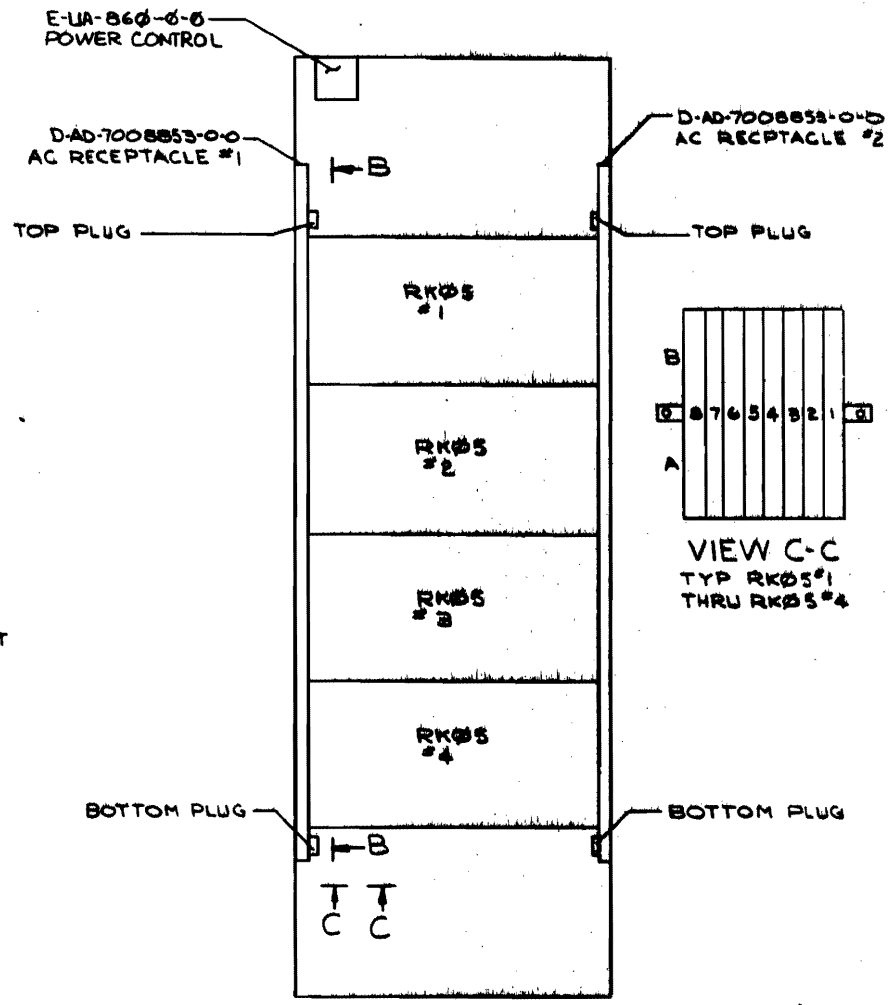
The company and manufacturer marks on the parts are of legal equipment identification and shall not be removed or altered or used to identify or label any other equipment. This drawing is the property of Digital Equipment Corporation and shall not be loaned, copied, or reproduced in any form without the written permission of Digital Equipment Corporation.

Doc# RK05-0-15 2

BASIC CAB ASSY 19"  
C-PL-7006501-23-0  
OR C-PL-7006501-31-0

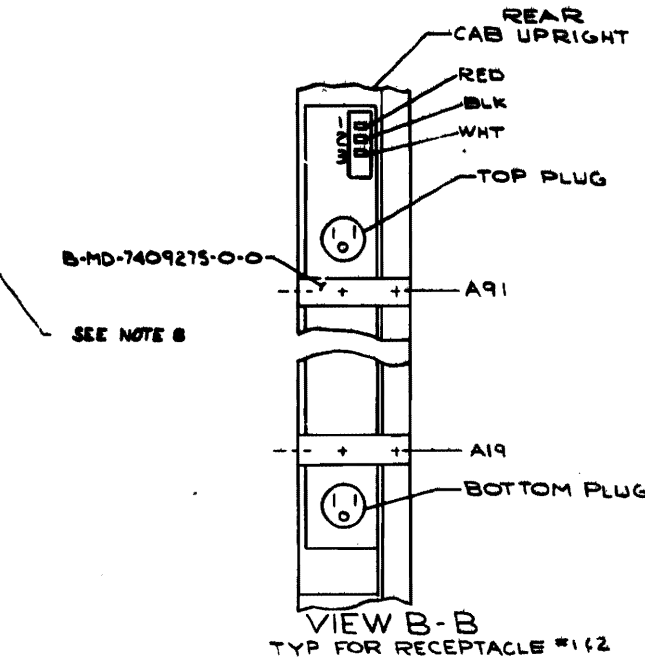


FRONT VIEW



REAR VIEW

CONFIGURATION WITH 860 POWER CONTROL



VIEW B-B  
TYP FOR RECEPTACLE #112

- NOTES:
- 1) TO REWORK 860-A & B TO 860-C & D REFER TO DRAWING E-UA-860-0-0.
  - 2) IF LESS THAN 4 DRIVES, THE M930 MODULE IS MOVED TO THE LAST DRIVE ON THE BUS IN THE SLOT NORMALLY OCCUPIED BY THE OUTCOMING BC11A CABLE.
  - 3) IF MORE THAN 4 DRIVES, EACH WILL BE CONFIGURED SIMILARLY IN A SECOND CAB.
  - 4) AS REQUIRED BY CONTROLLER, THE INCOMING CABLE TO RK05 #5 MAY COME DIRECTLY FROM A DISK CONTROL OR FROM THE SLOT NORMALLY OCCUPIED BY THE M930 IN RK05 #4 (SEE NOTE #2). POWER AND CABLING INFORMATION ALSO APPLY TO CAB #2.
  - 5) IN A SYSTEM USING PDP-11 15, 11 20, OR PDP-8 PROCESSORS AND IF 860 OR 861 POWER CONTROL IS FIRST IN THE CHAIN OF POWER CONTROLS, CONNECT P1 OF CABLE #7008964 TO POWER CONTROL AND P2 OF 2 CABLE #7008964 TO M720-E/F IN THE PROCESSOR. DO NOT USE ANY OTHER JUMPER PLUG IN THE PROCESSOR. IN ALL OTHER SITUATIONS USE CABLE #7008299 FOR INTERCONNECTIONS.
  - 6) PLUGS 8, 3 AND 10 ARE WIRED IN PARALLEL. USE ANY PLUGS AS REQUIRED. NO JUMPER PLUG IS REQUIRED ON THE 860 OR 861 POWER CONTROL.
  - 7) USE BLANK LOGO COLOR TO COINCIDE WITH PRODUCT LINE.
  - 8) TO MOUNT CHASSIS SLIDES ON RACK UFF MOUNTING HARDWARE KIT #7008276 OR ITEMS:
    1. TIMMERMAN NUT #9007106
    2. #10-32 PHL TRUSS #9006074 3
    3. #10 EXTERNAL TROUGH #9007651
 WASHER  
 LOCATION OF MOUNTING HOLES TO BE AS FOLLOWS STARTING FROM BOTTOM OF RACK HOLE NUMBERS FOR FRONT AND REAR, LEFT AND RIGHT  
 21 24  
 39 42  
 57 60  
 75 78
  - 9) USE THE PRE-FOLDED CREASES ON THE DISK BUS CABLE FOR CLAMPING. DO NOT PULL THE CABLE TIGHT AGAINST PRE-FILTER. LEAVE SERVICE LOOP SO THAT HAND CAN FIT BETWEEN THE CABLE AND FILTER.
  - 10) RK05'S PLUG INTO SWITCHED AC OUTLETS ONLY.

REV	DATE	BY	CHKD
A	12-20-72	G. SCHNEIDER	
B	1-13-73	G. SCHNEIDER	
C	2-13-73	G. SCHNEIDER	
D	2-13-73	G. SCHNEIDER	
E	2-13-73	G. SCHNEIDER	
F	2-13-73	G. SCHNEIDER	
G	2-13-73	G. SCHNEIDER	
H	2-13-73	G. SCHNEIDER	
I	2-13-73	G. SCHNEIDER	
J	2-13-73	G. SCHNEIDER	

QTY.	DESCRIPTION	PART NO.	ITEM NO.
	PARTS LIST		
	UNLESS OTHERWISE SPECIFIED		
	TOLERANCES		
	DIMENSIONS		
	FINISH		
	MATERIAL		
	FRISON		
	DRAWING NO. B-DD-RK05-0		
	SCALE 1 OF 3		
	DATE 5/10/72		
	DATE 1-21-73		
	DATE 7-18-73		
	DATE 7-12-73		
	DATE 12/1/73		
EQUIPMENT CORPORATION		TITLE	
MAYNARD MASSACHUSETTS		RK05	
		OPTION CONFIGURATION	
		DRAWING NO. DOC RK05-0-15	
		REV. B	

This drawing and specifications, herein, are the property of Equipment Corporation and shall not be reproduced, in whole or in part, or by any means, without the written permission of Equipment Corporation.

BASIC CABINET ASSY 19"  
C-PL-7006501-23-0  
ORC-PL-7006501-31-0

LOGO SEE NOTE #7

BASIC CAB ASSY 19"  
C-PL-7006501-23-0  
REF

SWITCHED AC  
SEE NOTE #10

10 9 SEE NOTE #5 & 6

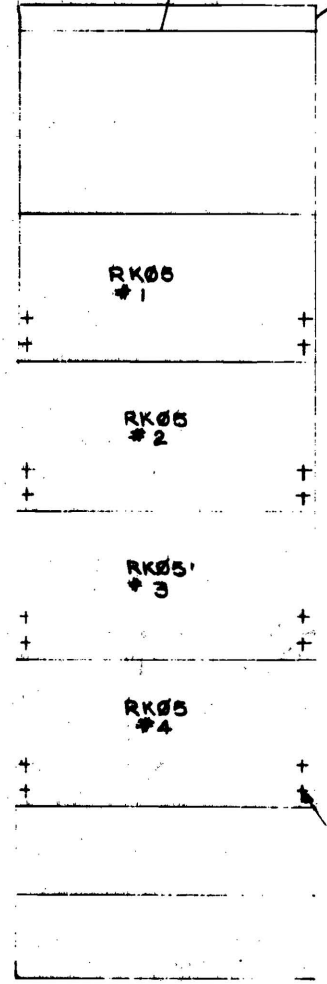
861-B/C  
POWER CONTROL  
REF

UNSWITCHED AC

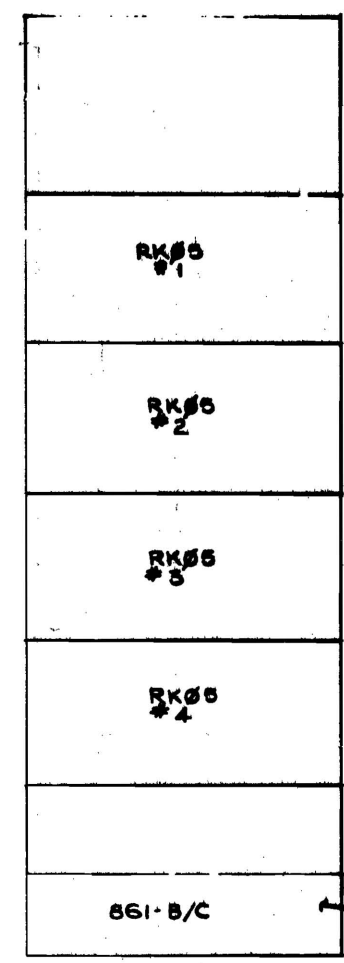
DETAIL "A"  
NOT TO SCALE

SEE NOTE #8

E-UA-861-0-0  
POWER CONTROL  
SEE DETAIL "A"



FRONT VIEW



REAR VIEW

**CONFIGURATION WITH 861 POWER CONTROL**

QTY.	DESCRIPTION	PART NO.	ITEM NO.
PARTS LIST			
1	OPTION CONFIGURATION		
EQUIPMENT CORPORATION			
TITLE RK05 OPTION CONFIGURATION			
DRAWN			REV.
DOC RK05-0-15			B

**POWER CORD CONNECTIONS WITH 860 POWER CONTROL**

FROM	TO
RK05#1	AC RECEPTACLE #1 TOP PLUG
RK05#2	AC RECEPTACLE #2 TOP PLUG
RK05#3	AC RECEPTACLE #2 BOTTOM PLUG
RK05#4	AC RECEPTACLE #1 BOTTOM PLUG

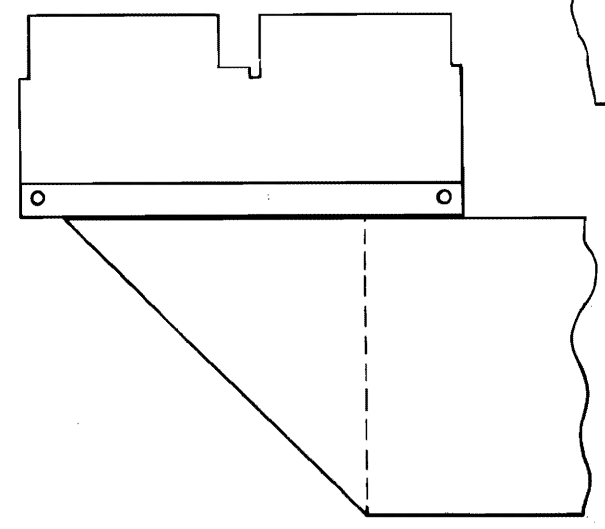
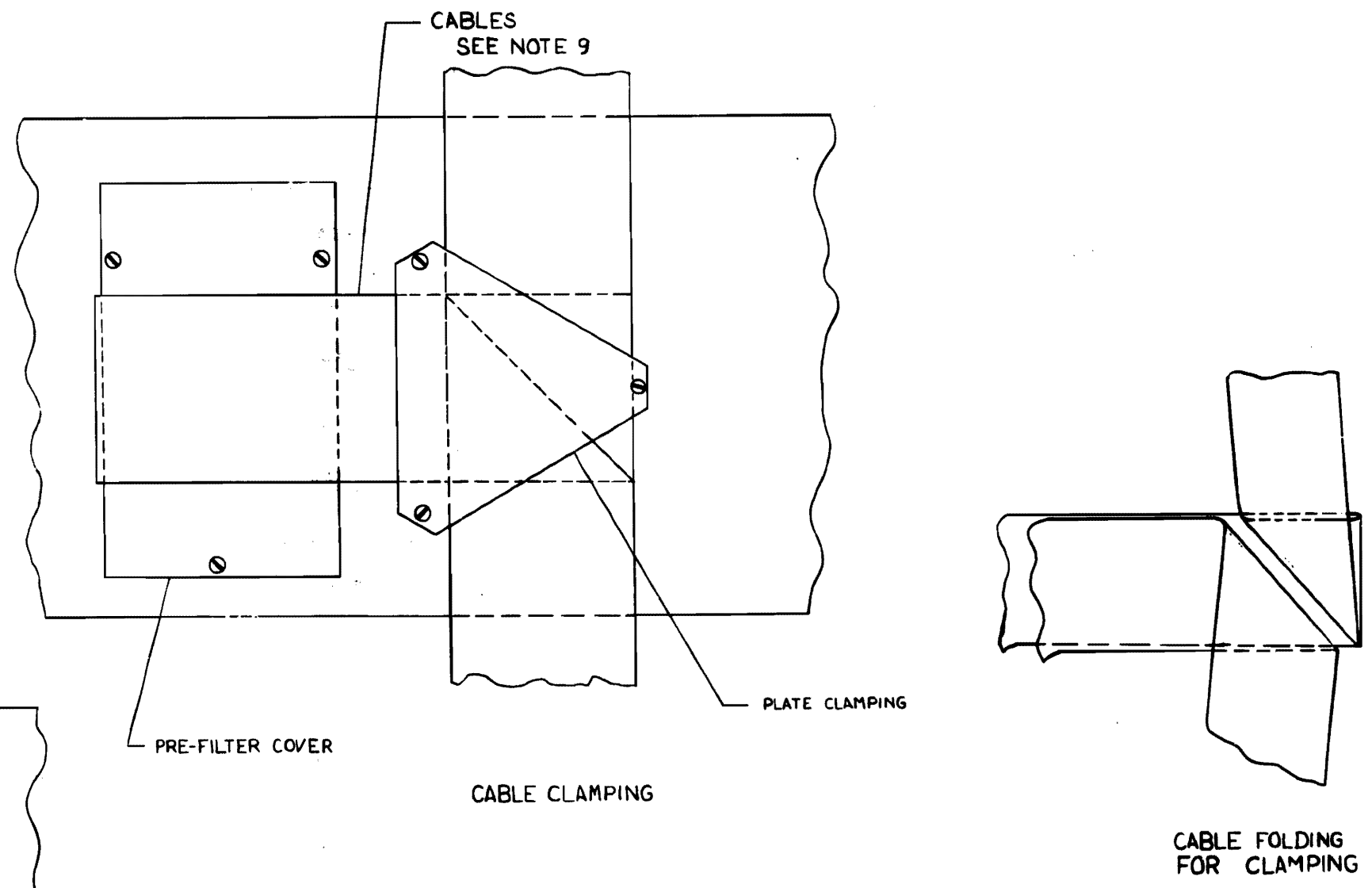
**BUS CABLE CONNECTIONS**

FROM		TO		CABLE	REMARKS
DEVICE	LOCATION	DEVICE	LOCATION		
DISK CONTROL	A/R	RK05#1	AB8	BC11A	LENGTH A/R
RK05#1	AB7	RK05#2	AB7	BC11A-6	
RK05#2	AB8	RK05#3	AB8	BC11A-6	
RK05#3	AB7	RK05#4	AB7	BC11A-6	
RK05#4	AB8	—	—	M930	MODULE

**860 POWER CONNECTIONS**

AWG	COLOR	FROM	TO	REMARKS
10 TWP	BLK	860-PT# RECP #1-1	#1-1	SEE VIEW B-B
	WHT	860-PT#	#1-2	
	RED	860-PT#	#1-3	
10 TWP	BLK	860-PT#	#2-1	
	WHT	860-PT#	#2-2	
	RED	860-PT# RECP #2-3	#2-3	

\*(ASTERISK) INDICATES WIRE POINTS ON 860 POWER CONTROL MARKED WITH BRADY MARKERS.



REV.	DESCRIPTION	DATE	BY	QTY.	DESCRIPTION	PART NO.	ITEM NO.
PARTS LIST							
UNLESS OTHERWISE SPECIFIED DIMENSIONS IN INCHES TOLERANCES				EQUIPMENT CORPORATION			
DECIMALS	ANGLES			TITLE			
.001 - .010	± 0° 00'			RK05			
.010 - .020	± 0° 00'			OPTION CONFIGURATION			
.020 - .030	± 0° 00'			DOC RK05-0-15			
.030 - .040	± 0° 00'			REV. B			
.040 - .050	± 0° 00'			SCALE			
.050 - .060	± 0° 00'			DATE			
.060 - .070	± 0° 00'			DRAWN			
.070 - .080	± 0° 00'			CHECKED			
.080 - .090	± 0° 00'			APPROVED			
.090 - .100	± 0° 00'			MATERIAL			
.100 - .110	± 0° 00'			FINISH			

REV. 1  
REV. 2  
REV. 3  
REV. 4  
REV. 5  
REV. 6  
REV. 7  
REV. 8  
REV. 9  
REV. 10

DOC RK05-0-15

80-2

This drawing and specifications, herein, are the property of Digital Equipment Corporation and shall not be reproduced or copied or used in whole or in part as the basis for the manufacture or sale of items without written permission.

RK11-D B2	OFF	UI	OFF	OUT BUFF FULL	IN BUFF FULL	FILE EMPTY	FILE FULL	D1	RKDA 04	RKDA 00
	OFF	AI	OFF	DATA	WT OR WTC	RD GATE	RKDA 11	RKDA 08	RKDA 05	RKDA 01
	OFF	AI	OFF	ME	RD OR ROCK	WT GATE	RKDA 12	RKDA 09	RKDA 06	RKDA 02
	OFF	AI	OFF	CNTL RDY	SEEK OR RSET	WC OVF	R1	RKDA 10	RKDA 07	RKDA 03

FIRST USE: C J INT / MOD  
RK11-D

SPEC # 9200100-94 (BLACK)

REVISIONS	REV.
	CHANGE NO.
CHK	

D. Mattson 6/2/72 [Signature] 6/7/72 [Signature] 6/7/72 [Signature] 6/6/72 [Signature] 6/6/72 [Signature] 6/6/72	DATE DATE DATE DATE DATE DATE DATE DATE	EQUIPMENT CORPORATION MAYNARD, MASSACHUSETTS
TITLE MAINTENANCE MODULE OVERLAY (RK11-D)		
NEXT HIGHER ASSY 0-MD-5509081-0-0	SIZE CODE A 55	NUMBER 5509081-0-11
SCALE SHEET OF	DIST: * C	REV.

<b>DIGITAL EQUIPMENT CORPORATION</b> MAYNARD, MASSACHUSETTS			<b>LEGEND</b>		<b>QUANTITY / VARIATION</b>						
<b>ACCESSORY LIST</b>			D	DOCUMENT	RK11-D	RK11-E					
			DN	DOCUMENT CHANGE NOTICE							
MADE BY <i>[Signature]</i>	CHECKED <i>[Signature]</i>	SECTION	PA	PAPER TAPE ASCII	KIT CHECK	BY	DATE	INSTALLATION CHECK	BY	DATE	
DATE 12/1/72	DATE		PB	PAPER TAPE BINARY							
ENG <i>[Signature]</i>	PROD <i>R. Dooly</i>	ISSUED SECT.	PM	PAPER TAPE READ-IN-MODE							
DATE 11/1/72	DATE 12/13/72										
ITEM NO.	DWG NO. / PART NO.	DESCRIPTION	RK11-D	RK11-E							
1	See variations	Complete print set	1	1							
2	DEC-11-HRKDA-A-D	Manual, RK11-D,E	1	1							
3	LIBKIT-11-RK11-0	Sealed software kit	1	1							
4	MAINDEC-11-DZQGA-B-D	GTP write-up (Field add-on only)	1	1							
5	MAINDEC-11-DZQGA-B-PB	GTP binary tape (Field add-on only)	1	1							
6	M920	UNIBUS jumper	1	1							
7	BC11-A-15	15 foot UNIBUS cable	1	1							
8	A-SS-5509081-11	Transparent overlay to KM11-A									
<b>TITLE</b> MOVING HEAD DISK CONTROL RK11-D,E			<b>ASSY. NO.</b>		<b>SIZE CODE</b> A AL		<b>NUMBER</b> RK11-D-6		<b>REV. ECO NO</b>		
<b>SHEET</b> 1 <b>OF</b> 1			<b>DIST.</b>								

DIGITAL EQUIPMENT CORPORATION MAYNARD, MASSACHUSETTS <b>PARTS LIST</b>				QUANTITY/VARIATION														
MADE BY J. VOWLES		CHECKED T. ORR																
DATE 10/11/72		DATE 11/1/72																
ENG T. ORR		PROD R. DOOLEY		SECTION														
DATE 11/1/72		DATE 12/13/72		ISSUED SECT.														
ITEM NO.	DWG NO. / PART NO.	DESCRIPTION		RK11-C	RK11-D	RK11-E												
1	MAINDEC-11-DZRKA-D	RK11 DISK STATIC TEST - WRITE UP		1	1	1												
2	MAINDEC-11-DZRKA-PB	RK11 STATIC TEST BINARY TAPE		1	1	1												
3	MAINDEC-11-DZRKB-D	RK11 DATA TEST WRITE UP		1	1	1												
4	MAINDEC-11-DZRKB-PB	RK11 DATA TEST BINARY TAPE		1	1	1												
5	MAINDEC-11-DZRKC-A-D	RK11 RANDOM EXERCISOR WRITE UP		1	1	1												
6	MAINDEC-11-DZRKC-A-PB	RK11 RANDOM EXERCISOR BINARY TAPE		1	1	1												
7	MAINDEC-11-DZRKD-A-D	BASIC LOGIC TEST WRITE UP		1	1	1												
8	MAINDEC-11-DZRKD-PB	BASIC LOGIC TEST BINARY TAPE		1	1	1												
9	MAINDEC-11-DZRKF-A-D	RK11/RK05 DYNAMIC TEST WRITE UP		1	1	1												
10	MAINDEC-11-DZRKF-PB	RK11/RK05 DYNAMIC TEST BINARY TAPE		1	1	1												
11	MAINDEC-11-DZRKH-A-D	RK11/RK05 PERFORMANCE EXERCISER WRITE UP		1	1	1												
12	MAINDEC-11-DZRKH-PB	RK11/RK05 PERFORMANCE EXERCISER BINARY TAPE		1	1	1												
13	MAINDEC-11-DZRKI-A-D	UTILITY PACKAGE WRITE UP		1	1	1												
14	MAINDEC-11-DZRKI-PB	UTILITY PACKAGE BINARY TAPE		1	1	1												
TITLE MOVING HEAD DISK CONTROL RK11-D,E				ASSY NO.		SIZE CODE A PL		NUMBER RK11-D-7				REV. A		ECO NO. RK11-D-00017				
SHEET   OF				DIST.														

DEC FORM DEC 16-(325)-1031-NR70

This drawing and specifications, herein, are the property of Digital Equipment Corporation and shall not be reproduced or copied or used in whole or in part as the basis for the manufacture or sale of items without written permission. 1972

KWL RKII-D-2

B

B

A

A

REV. NO.	CHANGE NO.	REV.
1	RKIID-00003	A
Beasley 12-4-72		
T. ORR		
2	RKIID-00005	B
E. Slodgett 4-3-73		
T. ORR		
3	RKIID-00009	C
E. Allen 9-26-73		
T. ORR		
4	RKIID-00011	D
J. Charter 11-12-73		
ORR		
5	RKIID-00013	E
J. Monahan 2-5-74		
T. ORR		
6	RKIID-00015	F
J. Charter 4-30-74		
T. ORR		

FIRST USED ON OPTION MODEL		QTY.	DESCRIPTION	PART NO.	ITEM NO.
RKII-D					
PARTS LIST					
DRN	E. Wilson	DATE	9/27/72	<b>DIGITAL EQUIPMENT CORPORATION</b> <small>MASSACHUSETTS</small>	
CHKD.	<i>[Signature]</i>	DATE	<i>[Date]</i>		
ENG.	<i>[Signature]</i>	DATE	<i>[Date]</i>		
PROJ. ENG.	<i>[Signature]</i>	DATE	<i>[Date]</i>		
PROD.	R. Woolley	DATE	11/2/72		
NEXT HIGHER ASSEMBLY				TITLE	
C-1A-7009142-00				ETCH/WIRE LIST (RKII-D)	
SCALE	← →		SIZE CODE	NUMBER	REV.
SHEET	OF		KWL RKII-D-2		F

RKJ ID.P RUN NAME	HND288.V22(22) 11/06/73				Q	DNAME	KV	PG	1	X	Z	REMARKS	1-MAY-74	1982/	PAGE 1	
	A/P	PIN NAME	ORDER PIN	RAY - ORDER									LENGTH	EXCEPTIONS	RUN NUMBER	
+5V		A01A2		1-01 * H		U02					2		F	HAND WIRE	1	
+5V		A02A2		1-02 * H		U02					1		F	HAND WIRE	1	
+5V		A03A2		1-03 * H		U02					2		F	HAND WIRE	1	
+5V		A04A2		1-04 * H		U02					1		F	HAND WIRE	1	
+5V		A03H2		1-05 * H		U02					2		F	HAND WIRE	1	
+5V		A03J2		1-06 * H		U02					1		F	HAND WIRE	1	
+5V		A03K2		1-07 * H		U02					2		F	HAND WIRE	1	
+5V		A03L2		1-08 * H		U02					1		F	HAND WIRE	1	
+5V		A03M2		1-09 * H		U02					2		F	HAND WIRE	1	
+5V		B01A2		1-10 * H		U02					1		F	HAND WIRE	1	
+5V		B02A2		1-11 * H		U02					2		F	HAND WIRE	1	
+5V		H03H1		1-12 * H		U02					1		F	HAND WIRE	1	
+5V		H03A2		1-13 * H		U02					2		F	HAND WIRE	1	
+5V		B04A2		1-14 * H		U02					1		F	HAND WIRE	1	
+5V		C04A2		1-15 * H		U01					2		F	HAND WIRE	1	
+5V		C03A2		1-16 * H		U01					1		F	HAND WIRE	1	
+5V		C02A2		1-17 * H		U01					2		F	HAND WIRE	1	
+5V		C01A2		1-18 * H		U01					1		F	HAND WIRE	1	
+5V		D01A2		1-19 * H		U01					2		F	HAND WIRE	1	
+5V		D02A2		1-20 * H		U01					1		F	HAND WIRE	1	
+5V		D03A2		1-21 * H		U01					2		F	HAND WIRE	1	
+5V		D04A2		1-22 * H		U01					1		F	HAND WIRE	1	
+5V		E04A2		1-23 * H		U01					2		F	HAND WIRE	1	
+5V		E03A2		1-24 * H		U01					1		F	HAND WIRE	1	
+5V		E02A2		1-25 * H		U01					2		F	HAND WIRE	1	
+5V		E01A2		1-26 * H		U01					1		F	HAND WIRE	1	
+5V		F01A2		1-27 * H		U01					2		F	HAND WIRE	1	
+5V		F02A2		1-28 * H		U01					1		F	HAND WIRE	1	
+5V		F03A2		1-29 * H		U01					2		F	HAND WIRE	1	
+5V		F04A2		1-30 * H		U01					1		F	H TU WHERE	1	
+5V															89-0/6	1
O TU NPR	H	E01R1		1-01 * H		U01					1		F	HAND WIRE	2	
O TU NPR	H	E03R2		1-02 * H		U01					2		F	HAND WIRE	2	
O TU NPR	H	E04R2		1-03 * H		U01							F	H TU WHERE	2	
O TU NPR															6-2/6	2
ADD ACK	H	F01J1		1-01 * H		U01					1		F	HAND WIRE	3	
ADD ACK	H	F02J1		1-02 * H		U01							F	H TU WHERE	3	
ADD ACK															2-6/6	3
B CNTRL RDY	H	E03R2		1-01 * H		U02					1		F			4
B CNTRL RDY	H	E04R2		1-02 * H		U01					2		F	HAND WIRE	4	
B CNTRL RDY	H	E02S2		1-03 * H		U01					1		F	HAND WIRE	4	
B CNTRL RDY	H	E01S2		1-04 * H		U01							F	H TU WHERE	4	
B CNTRL RDY															16-4/6	4

EQUIPMENT COMPOSITION

56

LS

RRKID.F RUN NAME	HND288.V22(22) 11/06/73 A/P PIN ORDER HAY - NAME PIN ORDER	U	DNA*	KV	PG	I	A	Z	REMARKS	1-MAY-74 LENGTH	19:27/ EXCEPTIONS	PAGE 2 NUM NUMBER
BC 4 IN	H B01E2	1-01 *						1				5
BC 4 IN	H C01S2	1-02 *						1				5
BC 4 IN										6-0/8		5
BC 4 OUT	H B04E2	1-01 *						1				6
BC 4 OUT	H C01T2	1-02 *						1				6
BC 4 OUT										6-6/8		6
BC 5 IN	H B01B1	1-01 *						1				7
BC 5 IN	H C01P2	1-02 *						1				7
BC 5 IN										6-2/8		7
BC 5 OUT	H B04B1	1-01 *						1				8
BC 5 OUT	H C01R2	1-02 *						1				8
BC 5 OUT										7-0/8		8
BC 6 IN	H B01A1	1-01 *						1				9
BC 6 IN	H C01M2	1-02 *						1				9
BC 6 IN										6-2/8		9
BC 6 OUT	H B04A1	1-01 *						1				10
BC 6 OUT	H C01N2	1-02 *						1				10
BC 6 OUT										6-6/8		10
BC 7 IN	H B01V1	1-01 *						1				11
BC 7 IN	H C01K2	1-02 *						1				11
BC 7 IN										6-6/8		11
BC 7 OUT	H B04V1	1-01 *						1				12
BC 7 OUT	H C01L2	1-02 *						1				12
BC 7 OUT										7-2/8		12
BC IN	H C01V2	1-01 *	H					1			HAND WIRE	13
BC IN	H C04V2	1-02 *	H					1			H TO WHERE	13
BC IN										3-6/8		13
BC OUT	H C01U2	1-01 *	H					1			HAND WIRE	14
BC OUT	H C04U2	1-02 *	H					1			H TO WHERE	14
BC OUT										3-6/8		14
BR OUT	L C01J2	1-01 *	H					1			HAND WIRE	15
BR OUT	L C04J2	1-02 *	H					1			H TO WHERE	15
BR OUT										3-6/8		15

RRKID.F RUN NAME	HND288.V22(22) 11/06/73 A/P PIN ORDER HAY - NAME PIN ORDER	U	DNA*	KV	PG	I	A	Z	REMARKS	1-MAY-74 LENGTH	19:27/ EXCEPTIONS	PAGE 3 NUM NUMBER
BUS A00	L B01H2	1-01 *	H					2			HAND WIRE	16
BUS A00	L B04H2	1-02 *						1		3-4	TO HERE	16
BUS A00	L B04D1	1-03 *						1				16
BUS A00										11-3/8		16
BUS A01	L B01H1	1-01 *	H					2			HAND WIRE	17
BUS A01	L B04H1	1-02 *						1			TO HERE	17
BUS A01	L C04T2	1-03 *						1				17
BUS A01										10-0/8		17
BUS A02	L B01J2	1-01 *	H					2			HAND WIRE	18
BUS A02	L B04J2	1-02 *						1			TO HERE	18
BUS A02	L C04S1	1-03 *						1				18
BUS A02										9-6/8		18
BUS A03	L B01J1	1-01 *	H					2			HAND WIRE	19
BUS A03	L B04J1	1-02 *						1			TO HERE	19
BUS A03	L C04R1	1-03 *						1				19
BUS A03										9-2/8		19
BUS A04	L B01K2	1-01 *	H					2			HAND WIRE	20
BUS A04	L B04K2	1-02 *						1			TO HERE	20
BUS A04	L C04P1	1-03 *						1				20
BUS A04										9-2/8		20
BUS A05	L B01K1	1-01 *	H					2			HAND WIRE	21
BUS A05	L B04K1	1-02 *						1			TO HERE	21
BUS A05	L C04H2	1-03 *						1				21
BUS A05										9-4/8		21
BUS A06	L B01L2	1-01 *	H					2			HAND WIRE	22
BUS A06	L B04L2	1-02 *						1			TO HERE	22
BUS A06	L C04H2	1-03 *						1				22
BUS A06										8-6/8		22
BUS A07	L B01L1	1-01 *	H					2			HAND WIRE	23
BUS A07	L B04L1	1-02 *						1			TO HERE	23
BUS A07	L C04I1	1-03 *						1				23
BUS A07										8-4/8		23
BUS A08	L B01L2	1-01 *	H					2			HAND WIRE	24
BUS A08	L B04L2	1-02 *						1			TO HERE	24
BUS A08	L C04K1	1-03 *						1				24
BUS A08										8-4/8		24

RI110.F RUN NAME	A/P	PIN NAME	ORDER PIN	RAY - ORDER	U	DATA	KV	PG	I	A	Z	REMARKS	1-MAY-74 LENGTH	19827 EXCEPTIONS	PAGE 4 RUN NUMBER
BUS A09	L	B01M1		1-01 *	H		002				2			HAND TIME	25
BUS A09	L	B04M1		1-02 *			002				1			TU WENT	25
BUS A09	L	C04L2		1-03 *			002						8-6/8		25
BUS A10	L	B01N2		1-01 *	H		002				2			HAND TIME	26
BUS A10	L	B04N2		1-02 *			002				1			TU WENT	26
BUS A10	L	C04N2		1-03 *			001						8-6/8		26
BUS A11	L	B01R1	H04R1	1-01 *	H		002				2			HAND TIME	27
BUS A11	L	B04R1		1-02 *			002				1		3-2	TU WENT	27
BUS A11	L	D04R1		1-03 *			001						10-7/8		27
BUS A12	L	B01P2		1-01 *	H		002				2			HAND TIME	28
BUS A12	L	B04P2		1-02 *			002				1			TU WENT	28
BUS A12	L	C04P1		1-03 *			001						1-6/8		28
BUS A13	L	B01P1		1-01 *	H		002				2			HAND TIME	29
BUS A13	L	B04P1		1-02 *			002				1			TU WENT	29
BUS A13	L	C04P2		1-03 *			001						8-6/8		29
BUS A14	L	B01R2		1-01 *	H		002				1			HAND TIME	30
BUS A14	L	B04R2		1-02 *			002				2			TU WENT	30
BUS A14	L	C04R1		1-03 *			001						7-2/8		30
BUS A15	L	B01R1	B04R1	1-01 *	H		002				2			HAND TIME	31
BUS A15	L	B04R1		1-02 *			002				1		3-5	TU WENT	31
BUS A15	L	D04P1		1-03 *			001						11-5/8		31
BUS A16	L	B01S2	R04S2	1-01 *	H		002				1			HAND TIME	32
BUS A16	L	B04S2	C04D1	1-02 *			002				2			TU WENT	32
BUS A16	L	C04D1	C01D1	1-03 *	H		001				1			HAND TIME	32
BUS A16	L	C01R1		1-04 *			001						11-0/8	TU WENT	32
BUS A17	L	B01S1	H04S1	1-01 *	H		002				1			HAND TIME	33
BUS A17	L	B04S1	C04E1	1-02 *			002				2			TU WENT	33
BUS A17	L	C04E1	C01E1	1-03 *	H		001				1			HAND TIME	33
BUS A17	L	C01E1		1-04 *			001						11-0/8	TU WENT	33

COMPARISON

RI110.F RUN NAME	A/P	PIN NAME	ORDER PIN	RAY - ORDER	U	DATA	KV	PG	I	A	Z	REMARKS	1-MAY-74 LENGTH	19827 EXCEPTIONS	PAGE 5 RUN NUMBER
BUS AC 00	L	D02F1		1-01 *							1		3-6		34
BUS AC 01	L	B01F1		1-02 *	H						2			HAND TIME	34
BUS AC 01	L	B04F1		1-03 *							1			TU WENT	34
BUS AC 01	L	A01R2		1-04 *									10-1/8		34
BUS HNS1	L	A01P2		1-01 *	H		002				2			HAND TIME	35
BUS HNS1	L	A04P2		1-02 *			002				1			TU WENT	35
BUS HNS1	L	E04P2		1-03 *			001						10-4/8		35
BUS HNS1	L														35
BUS HNS 4	L	B04D2		1-01 *	H		002				2			HAND TIME	36
BUS HNS 4	L	B01D2		1-02 *			002				1			TU WENT	36
BUS HNS 4	L	C01H2		1-03 *			001						9-0/8		36
BUS HNS 4	L														36
BUS HNS 5	L	B04C1		1-01 *	H						2			HAND TIME	37
BUS HNS 5	L	B01C1		1-02 *			002				1			TU WENT	37
BUS HNS 5	L	C01F2		1-03 *			001						9-2/8		37
BUS HNS 5	L														37
BUS HNS 6	L	A04U2		1-01 *	H		002				2			HAND TIME	38
BUS HNS 6	L	A01U2		1-02 *			002				1			TU WENT	38
BUS HNS 6	L	C01U2		1-03 *			001						9-6/8		38
BUS HNS 6	L														38
BUS HNS 7	L	A04T2		1-01 *	H		002				2			HAND TIME	39
BUS HNS 7	L	A01T2		1-02 *			002				1			TU WENT	39
BUS HNS 7	L	C01U2		1-03 *			001						9-6/8		39
BUS HNS 7	L														39
BUS CU	L	B01U2	B04U2	1-01 *	H		002				2			HAND TIME	40
BUS CU	L	B04U2		1-02 *			002				1		4-1	TU WENT	40
BUS CU	L	D04C1		1-03 *			001						10-1/8		40
BUS CU	L														40
BUS CI	L	B01T2	B04T2	1-01 *	H		002				2			HAND TIME	41
BUS CI	L	B04T2		1-02 *			002				1		4-1	TU WENT	41
BUS CI	L	E04R1		1-03 *			001						14-1/8		41
BUS CI	L														41
BUS D 00	H	C04U1			H		001							1-PIN NUM	42
BUS D00	L	A01C1		1-01 *	H		002				2			HAND TIME	43
BUS D00	L	B04C1		1-02 *			002				1			TU WENT	43
BUS D00	L	C04U2		1-03 *			001						11-6/8		43
BUS D00	L														43

38

LS

RK11D.F  
RUN NAME

HND288.V22(22) 11/06/73

1-MAY-74

19:27

PAGE 6

A/P	PIN NAME	ORDER PIN	HAY - ORDER	U	DKA#	KV	PG	I	A	Z	REMARKS	LENGTH	EXCEPTIONS	RUN NUMBER
H	D01D2		1-01 *	H		D01				1			HAND WIRE	44
H	D03D2		1-02 *	H		D01				2			HAND WIRE	44
H	D04D2		1-03 *	H		D01							H TO WHERE	44
												6-0/8		44
L	A01D2		1-01 *	H		D02				2			HAND WIRE	45
L	A04D2		1-02 *			D02				1			TU HERE	45
L	C04C1		1-03 *			D01								45
												11-4/8		45
H	D01E2		1-01 *	H		D01				1			HAND WIRE	46
H	D03E2		1-02 *	H		D01				2			HAND WIRE	46
H	D04E2		1-03 *	H		D01							H TO WHERE	46
												6-0/8		46
L	A01D1		1-01 *	H		D02				2			HAND WIRE	47
L	A04D1		1-02 *			D02				1			TU HERE	47
L	C04E2		1-03 *			D01								47
												11-4/8		47
H	D01F2		1-01 *	H		D01				1			HAND WIRE	48
H	D03F2		1-02 *	H		D01				2			HAND WIRE	48
H	D04F2		1-03 *	H		D01							H TO WHERE	48
												6-0/8		48
L	A01E2		1-01 *	H		D02				2			HAND WIRE	49
L	A04E2		1-02 *			D02				1			TU HERE	49
L	D04E1		1-03 *			D01								49
												14-2/8		49
H	D01H2		1-01 *	H		D01				1			HAND WIRE	50
H	D03H2		1-02 *	H		D01				2			HAND WIRE	50
H	D04H2		1-03 *	H		D01							H TO WHERE	50
												6-0/8		50
L	A01E1		1-01 *	H		D02				2			HAND WIRE	51
L	A04E1		1-02 *			D02				1			TU HERE	51
L	D04E1		1-03 *			D01								51
												15-2/8		51
H	D01J2		1-01 *	H		D01				1			HAND WIRE	52
H	D03J2		1-02 *	H		D01				2			HAND WIRE	52
H	D04J2		1-03 *	H		D01							H TO WHERE	52
												6-0/8		52

COINTEGRATION

COINTEGRATION

RK11D.F  
RUN NAME

HND288.V22(22) 11/06/73

1-MAY-74

19:27

PAGE 7

A/P	PIN NAME	ORDER PIN	HAY - ORDER	U	DKA#	KV	PG	I	A	Z	REMARKS	LENGTH	EXCEPTIONS	RUN NUMBER
L	A01F2		1-01 *	H		D02				2			HAND WIRE	53
L	A04F2		1-02 *			D02				1			TU HERE	53
L	C04H1		1-03 *			D01								53
												11-6/8		53
H	D01K2		1-01 *	H		D01				1			HAND WIRE	54
H	D03K2		1-02 *	H		D01				2			HAND WIRE	54
H	D04K2		1-03 *	H		D01							H TO WHERE	54
												6-0/8		54
L	A01F1		1-01 *	H		D02				2			HAND WIRE	55
L	A04F1		1-02 *			D02				1			TU HERE	55
L	C04K2		1-03 *			D01								55
												11-6/8		55
H	D01L2		1-01 *	H		D01				1			HAND WIRE	56
H	D03L2		1-02 *	H		D01				2			HAND WIRE	56
H	D04L2		1-03 *	H		D01							H TO WHERE	56
												6-0/8		56
L	A01H2	A04H2	1-01 *	H		D02				2			HAND WIRE	57
L	A04H2		1-02 *			D02				1			TU HERE	57
L	C04J1		1-03 *			D01								57
												11-7/8		57
H	D01M2		1-01 *	H		D01				1			HAND WIRE	58
H	D03M2		1-02 *	H		D01				2			HAND WIRE	58
H	D04M2		1-03 *	H		D01							H TO WHERE	58
												6-0/8		58
L	A01H1		1-01 *	H		D02				2			HAND WIRE	59
L	A04H1		1-02 *			D02				1			TU HERE	59
L	C04M2		1-03 *			D01								59
												12-7/8		59
H	D01N2		1-01 *	H		D01				1			HAND WIRE	60
H	D03N2		1-02 *	H		D01				2			HAND WIRE	60
H	D04N2		1-03 *	H		D01							H TO WHERE	60
												6-0/8		60
L	A01J2		1-01 *	H		D02				2			HAND WIRE	61
L	A04J2		1-02 *			D02				1			TU HERE	61
L	C04M1		1-03 *			D01								61
												12-6/8		61

RE (ID,F RUN NAME	HND288.V22(22) 11/06/73										1-MAY-74	1982/	PAGE 8		
	A/P	PIN NAME	ORDER PIN	BAY - ORDER	Q	DRAW	KV	PG	I	A	Z	REMARKS	LENGTH	EXCEPTIONS	NUM NUMBER
BUS D09 (1)	H	D01P2		1-01 *	H									HAND WIRE	62
BUS D09 (1)	H	D03P2		1-02 *	H									HAND WIRE	62
BUS D09 (1)	H	D04P2		1-03 *	H									H TO WHERE	62
BUS D09 (1)				1									6-6/8		62
BUS D10	L	A01J1		1-01 *	H									HAND WIRE	63
BUS D10	L	A04J1		1-02 *										TU HERE	63
BUS D10	L	C04P2		1-03 *											63
BUS D10				1									12-8/8		63
BUS D10 (1)	H	D01R2		1-01 *	H									HAND WIRE	64
BUS D10 (1)	H	D03R2		1-02 *	H									HAND WIRE	64
BUS D10 (1)	H	D04R2		1-03 *	H									H TO WHERE	64
BUS D10 (1)				1									6-8/8		64
BUS D11	L	A01K2	A04K2	1-01 *	H									HAND WIRE	65
BUS D11	L	A04K2		1-02 *									3-1	TU HERE	65
BUS D11	L	C04H1		1-03 *											65
BUS D11				1									12-1/8		65
BUS D11 (1)	H	D01S2		1-01 *	H									HAND WIRE	66
BUS D11 (1)	H	D03S2		1-02 *	H									HAND WIRE	66
BUS D11 (1)	H	D04S2		1-03 *	H									H TO WHERE	66
BUS D11 (1)				1									6-8/8		66
BUS D12	L	A01K1	A04K1	1-01 *	H									HAND WIRE	67
BUS D12	L	A04K1		1-02 *									4-5	TU HERE	67
BUS D12	L	D04A1		1-03 *											67
BUS D12				1									13-5/8		67
BUS D12 (1)	H	D01T2		1-01 *	H									HAND WIRE	68
BUS D12 (1)	H	D03T2		1-02 *	H									HAND WIRE	68
BUS D12 (1)	H	D04T2		1-03 *	H									H TO WHERE	68
BUS D12 (1)				1									6-8/8		68
BUS D13	L	A01L2	A04L2	1-01 *	H									HAND WIRE	69
BUS D13	L	A04L2		1-02 *									4-2	TU HERE	69
BUS D13	L	C04V1		1-03 *											69
BUS D13				1									12-7/8		69
BUS D13 (1)	H	D01U2		1-01 *	H									HAND WIRE	70
BUS D13 (1)	H	D03U2		1-02 *	H									HAND WIRE	70
BUS D13 (1)	H	D04U2		1-03 *	H									H TO WHERE	70
BUS D13 (1)				1									6-8/8		70

EQUIPMENT CORPORATION

RE (ID,F RUN NAME	HND288.V22(22) 11/06/73										1-MAY-74	1982/	PAGE 9		
	A/P	PIN NAME	ORDER PIN	BAY - ORDER	Q	DRAW	KV	PG	I	A	Z	REMARKS	LENGTH	EXCEPTIONS	NUM NUMBER
BUS D14	L	A01L1		1-01 *	H									HAND WIRE	71
BUS D14	L	A04L1		1-02 *										TU HERE	71
BUS D14	L	C04S2		1-03 *											71
BUS D14				1									12-0/8		71
BUS D14 (1)	H	D01V2		1-01 *	H									HAND WIRE	72
BUS D14 (1)	H	D03V2		1-02 *	H									HAND WIRE	72
BUS D14 (1)	H	D04V2		1-03 *	H									H TO WHERE	72
BUS D14 (1)				1									6-0/8		72
BUS D15	L	A01M2	A04M2	1-01 *	H									HAND WIRE	73
BUS D15	L	A04M2		1-02 *									4-5	TU HERE	73
BUS D15	L	D04B1		1-03 *											73
BUS D15				1									13-5/8		73
BUS D15 (1)	H	D01V1		1-01 *	H									HAND WIRE	74
BUS D15 (1)	H	D03V1		1-02 *	H									HAND WIRE	74
BUS D15 (1)	H	D04V1		1-03 *	H									H TO WHERE	74
BUS D15 (1)				1									6-0/8		74
BUS D16	L	A01M1	A04M1	1-01 *	H									HAND WIRE	75
BUS D16	L	A04M1		1-02 *										TU HERE	75
BUS D16	L	C03C1		1-03 *											75
BUS D16				1									10-4/8		75
BUS D17	L	A01N2	A04N2	1-01 *	H									HAND WIRE	76
BUS D17	L	A04N2		1-02 *										TU HERE	76
BUS D17	L	C03B1		1-03 *											76
BUS D17				1									10-4/8		76
BUS DC 60	L	A03S2		1-01 *											77
BUS DC 60	L	B04F2		1-02 *											77
BUS DC 60	L	B01F2		1-03 *											77
BUS DC 60	L	C01B1		1-04 *											77
BUS DC 60				1									12-4/8		77
BUS INIT	L	A04A1		1-01 *	H									HAND WIRE	78
BUS INIT	L	A01A1		1-02 *										TU HERE	78
BUS INIT	L	C01C1		1-03 *											78
BUS INIT				1									11-4/8		78
BUS INTR	L	A01B1		1-01 *	H									HAND WIRE	79
BUS INTR	L	A04B1		1-02 *										TU HERE	79
BUS INTR	L	D04S1		1-03 *											79
BUS INTR				1									15-8/8		79

69

61

RAILD.F RUN NAME	A/P	HND288.V22(22) PIN NAME	11/06/73 ORDER PIN	HAY - ORDER	U	DKA#	KV	PG	I	A	Z	REMARKS	1-MAY-74 LENGTH	1987 EXCEPTIONS	PAGE 10 RUN NUMBER
BUS MSYN	L	B01V1		1-01 *	H						2			HAND WIRE	80
BUS MSYN	L	B04V1		1-02 *							1			TO HERE	80
BUS MSYN	L	E04T2		1-03 *									13-6/8		80
BUS JPG IN	H	A01U1		1-01 *							1				81
BUS JPG IN	H	E04D1		1-02 *									12-0/8		81
BUS JPG OUT	H	A04U1		1-01 *	I						1		0-3		82
BUS JPG OUT	H	E04U1		1-02 *									13-3/8		82
BUS NPR	L	A01S2		1-01 *	H						2			HAND WIRE	83
BUS NPR	L	A04S2		1-02 *							1			TO HERE	83
BUS NPR	L	E04S1		1-03 *									16-6/8		83
BUS SACK	L	A01R2		1-04 *	H						2			HAND WIRE	84
BUS SACK	L	A04R2		1-02 *							1			TO HERE	84
BUS SACK	L	E04C1		1-03 *									15-4/8		84
BUS SSSN	L	B01U1	B04U1	1-01 *	H						2			HAND WIRE	85
BUS SSSN	L	B04U1		1-02 *							1		4-5	TO HERE	85
BUS SSSN	L	E04P1		1-03 *									13-5/8		85
CLK	H	C02N2		1-01 *							1				86
CLK	H	E01E1		1-02 *	H						2			HAND WIRE	86
CLK	H	E03D2		1-03 *	H								10-6/8	H TO WHERE	86
CLR MSR	L	F01F2		1-01 *	H						1			HAND WIRE	87
CLR MSR	L	F02F2		1-02 *	H								2-6/8	H TO WHERE	87
COUNT SA	H	C01M1		1-01 *	H						1			HAND WIRE	88
COUNT SA	H	C03M1		1-02 *	H								3-2/8	H TO WHERE	88
CYL OFF	L	C02R2		1-01 *	H						1			HAND WIRE	89
CYL OFF	L	C03R2		1-02 *	H								2-6/8	H TO WHERE	89

EQUIPMENT CORPORATION

RAILD.F RUN NAME	A/P	HND288.V22(22) PIN NAME	11/06/73 ORDER PIN	HAY - ORDER	U	DKA#	KV	PG	I	A	Z	REMARKS	1-MAY-74 LENGTH	1987 EXCEPTIONS	PAGE 11 RUN NUMBER
DATA (1)	H	B03H1		1-01 *							1				90
DATA (1)	H	C03S1		1-02 *	H						2			HAND WIRE	90
DATA (1)	H	C02S1		1-03 *	H						1			HAND WIRE	90
DATA (1)	H	C01S1		1-04 *	H								11-2/8	H TO WHERE	90
DATA STR 1	L	E04W2			H									1-PIN RUN	91
DATA STR 2	L	E03L2		1-01 *	H						1			HAND WIRE	92
DATA STR 2	L	E04L2		1-02 *	H								2-6/8	H TO WHERE	92
DISK CLK	L	F01V1		1-01 *	H						1			HAND WIRE	93
DISK CLK	L	F02V1		1-02 *	H								2-6/8	H TO WHERE	93
DLT (1)	H	F01P1		1-01 *	H						1			HAND WIRE	94
DLT (1)	H	F03P2		1-02 *	H								3-4/8	H TO WHERE	94
DPL (1)	H	F01D1		1-01 *	H						1			HAND WIRE	95
DPL (1)	H	F02D1		1-02 *	H								2-6/8	H TO WHERE	95
DR BUS ADD ACK	L	A02R2		1-01 *							1				96
DR BUS ADD ACK	L	D02R1		1-02 *									9-0/8		96
DR BUS CYL ADD 0	L	A02A1		1-01 *							1		3-5		97
DR BUS CYL ADD 0	L	C02A1		1-02 *									7-7/8		97
DR BUS CYL ADD 1	L	A02U1		1-01 *							1		3-5		98
DR BUS CYL ADD 1	L	C02U1		1-02 *									7-7/8		98
DR BUS CYL ADD 2	L	A02L1		1-01 *							1		3-5		99
DR BUS CYL ADD 2	L	C02L1		1-02 *									7-7/8		99
DR BUS CYL ADD 3	L	A02C1		1-01 *							1		3-5		100
DR BUS CYL ADD 3	L	C02C1		1-02 *									7-7/8		100
DR BUS CYL ADD 4	L	A02F1		1-01 *							1		3-5		101
DR BUS CYL ADD 4	L	C02F1		1-02 *									7-7/8		101

EQUIPMENT CORPORATION

RK110.F RUN NAME	HND288.V22(22) 11/06/73				Q	DRAW	KV	PG	I	X	Z	REMARKS	1-MAY-74	19127	PAGE 12
	A/P	PIN NAME	ORDER PIN	HAY - ORDER									LENGTH	EXCEPTIONS	NUM NUMBER
DR BUS CYL ADD 5	L	A02J1		1-01 *									3-5		102
DR BUS CYL ADD 5	L	C02J1		1-02 *											102
DR BUS CYL ADD 5				1									7-7/8		102
DR BUS CYL ADD 6	L	A02E1		1-01 *									3-5		103
DR BUS CYL ADD 6	L	C02E1		1-02 *											103
DR BUS CYL ADD 6				1									7-7/8		103
DR BUS CYL ADD 7	L	A02H1		1-01 *									3-5		104
DR BUS CYL ADD 7	L	C02H1		1-02 *											104
DR BUS CYL ADD 7				1									7-7/8		104
DR BUS CYL ADD 8	L	A02B1		1-01 *									3-5		105
DR BUS CYL ADD 8	L	C02B1		1-02 *											105
DR BUS CYL ADD 8				1									7-7/8		105
DR BUS DC LU	L	C01B2		1-01 *	2										106
DR BUS DC LU	L	D02F2		1-02 *											106
DR BUS DC LU	L	D02F2		1-03 *											106
DR BUS DC LU				1									12-0/8		106
DR BUS DRY	L	B02N1		1-01 *	1								3-5		107
DR BUS DRY	L	D02N1		1-02 *											107
DR BUS DRY				1									7-7/8		107
DR BUS INDX PLS	L	B02M1		1-01 *	1								3-5		108
DR BUS INDX PLS	L	D02M1		1-02 *											108
DR BUS INDX PLS				1									7-7/8		108
DR BUS LOG ADD INT	L	A02T2		1-01 *											109
DR BUS LOG ADD INT	L	D02D1		1-02 *											109
DR BUS LOG ADD INT				1									9-0/8		109
DR BUS R/W/S RDY	L	A02H2		1-01 *											110
DR BUS R/W/S RDY	L	C02H2		1-02 *											110
DR BUS R/W/S RDY				1									7-4/8		110
DR BUS RD CLK	L	B02S1		1-01 *	1								3-5		111
DR BUS RD CLK	L	D02S1		1-02 *											111
DR BUS RD CLK				1									7-7/8		111
DR BUS RD DATA	L	B02S2		1-01 *											112
DR BUS RD DATA	L	D02S2		1-02 *											112
DR BUS RD DATA				1									7-4/8		112

EQUIPMENT CORPORATION

EQUIPMENT CORPORATION

62

RK110.F RUN NAME	HND288.V22(22) 11/06/73				Q	DRAW	KV	PG	I	X	Z	REMARKS	1-MAY-74	19127	PAGE 13
	A/P	PIN NAME	ORDER PIN	HAY - ORDER									LENGTH	EXCEPTIONS	NUM NUMBER
DR BUS RD GATE	L	B02R1		1-01 *	1								3-5		113
DR BUS RD GATE	L	D02R1		1-02 *											113
DR BUS RD GATE				1									7-7/8		113
DR BUS RESTORE	L	A02M1		1-01 *	1								3-5		114
DR BUS RESTORE	L	C02M1		1-02 *											114
DR BUS RESTORE				1									7-7/8		114
DR BUS RK05	L	B02P2		1-01 *											115
DR BUS RK05	L	D02P2		1-02 *											115
DR BUS RK05				1									7-4/8		115
DR BUS SEC CNTR 0	L	B02L1		1-01 *	1								3-5		116
DR BUS SEC CNTR 0	L	D02L1		1-02 *											116
DR BUS SEC CNTR 0				1									7-7/8		116
DR BUS SEC CNTR 1	L	A02P2		1-01 *											117
DR BUS SEC CNTR 1	L	D02A1		1-02 *											117
DR BUS SEC CNTR 1				1									9-0/8		117
DR BUS SEC CNTR 2	L	B02K2		1-01 *											118
DR BUS SEC CNTR 2	L	D02K2		1-02 *											118
DR BUS SEC CNTR 2				1									7-4/8		118
DR BUS SEC CNTR 3	L	B02J1		1-01 *	1								3-5		119
DR BUS SEC CNTR 3	L	D02J1		1-02 *											119
DR BUS SEC CNTR 3				1									7-7/8		119
DR BUS SEC PLS	L	B02N2		1-01 *											120
DR BUS SEC PLS	L	D02N2		1-02 *											120
DR BUS SEC PLS				1									7-4/8		120
DR BUS SEL DR 0	L	A02J2		1-01 *											121
DR BUS SEL DR 0	L	C02J2		1-02 *											121
DR BUS SEL DR 0				1									7-4/8		121
DR BUS SEL DR 1	L	A02K2		1-01 *											122
DR BUS SEL DR 1	L	C02K2		1-02 *											122
DR BUS SEL DR 1				1									7-4/8		122
DR BUS SEL DR 2	L	A02L2		1-01 *											123
DR BUS SEL DR 2	L	C02L2		1-02 *											123
DR BUS SEL DR 2				1									7-4/8		123
DR BUS SEL UPPER HD	L	B02N2		1-01 *											124
DR BUS SEL UPPER HD	L	D02N2		1-02 *											124
DR BUS SEL UPPER HD				1									7-4/8		124

65

65	RKIID.P RUN NAME	A/P	PIN NAME	ORDER PIN	BAY - ORDER	U	DRA	KV	PG	I	X	Z	REMARKS	1-MAY-74 LENGTH	19827 EXCEPTIONS	PAGE 14 RUN NUMBER
	DR BUS SIN	L	A02S2		1-01 *				002			1				125
	DR BUS SIN	L	D02C1		1-02 *											125
	DR IN				1									9-0/8		125
	DR BUS STROBE	L	B02H1		1-01 *	1			002			1		3-5		126
	DR BUS STROBE	L	D02H1		1-02 *				001							126
	DR BUS STROBE				1									7-7/8		126
	DR BUS WT CHK	L	B02K1		1-01 *	1			002			1		3-5		127
	DR BUS WT CHK	L	D02K1		1-02 *				001							127
	DR BUS WT CHK				1									7-7/8		127
	DR BUS WT DATA+CLK	L	A02F2		1-01 *				002			1				128
	DR BUS WT DATA+CLK	L	C02F2		1-02 *				001							128
	DR BUS WT DATA+CLK				1									7-4/8		128
	DR BUS WT GATE	L	B02L2		1-01 *				002			1				129
	DR BUS WT GATE	L	D02L2		1-02 *				001							129
	DR BUS WT GATE				1									7-4/8		129
	DR BUS WT PRCT STATUS	L	B02P1		1-01 *	1			002			1		3-5		130
	DR BUS WT PRCT STATUS	L	D02P1		1-02 *				001							130
	DR BUS WT PRCT STATUS				1									7-7/8		130
	DR BUS WT PROTECT	L	B02R2		1-01 *				002			1				131
	DR BUS WT PROTECT	L	D02R2		1-02 *				001							131
	DR BUS WT PROTECT				1									7-4/8		131
	DRF (1)	H	F01K1		1-01 *	H			001			1			HAND WIRE	132
	DRF (1)	H	F02K1		1-02 *	H			001						H TO WHERE	132
	DRF (1)				1									2-6/8		132
	DRIVE OK	H	F01N1		1-01 *	H			001			1			HAND WIRE	133
	DRIVE OK	H	F02N1		1-02 *	H			001						H TO WHERE	133
	DRIVE OK				1									2-6/8		133
	DRIVE RESET	L	F01K2		1-01 *	H			001			1			HAND WIRE	134
	DRIVE RESET	L	F02K2		1-02 *	H			001						H TO WHERE	134
	DRIVE RESET				1									2-6/8		134
	DRIVE UNSAFE	H	F01K1		1-01 *	H			001			1			HAND WIRE	135
	DRIVE UNSAFE	H	F02K1		1-02 *	H			001						H TO WHERE	135
	DRIVE UNSAFE				1									2-6/8		135
	DRY	H	F01L2		1-01 *	H			001			1			HAND WIRE	136
	DRY	H	F02L2		1-02 *	H			001						H TO WHERE	136
	DRY				1									2-6/8		136

	RKIID.P RUN NAME	A/P	PIN NAME	ORDER PIN	BAY - ORDER	U	DRA	KV	PG	I	X	Z	REMARKS	1-MAY-74 LENGTH	19827 EXCEPTIONS	PAGE 15 RUN NUMBER
	END OF SYNC	L	F01R2		1-01 *	H			001			1			HAND WIRE	137
	END OF SYNC	L	F02R2		1-02 *	H			001						H TO WHERE	137
	END OF SYNC				1									2-6/8		137
	EX BIT	H	F01V2		1-01 *	H			001			1			HAND WIRE	138
	EX BIT	H	F02V2		1-02 *	H			001						H TO WHERE	138
	EX BIT				1									2-6/8		138
	FILE DONE	H	C01F1		1-01 *	H						1			HAND WIRE	139
	FILE DONE	H	C03F1		1-02 *	H									H TO WHERE	139
	FILE DONE				1									3-2/8		139
	FILE EMPTY	H	B03E1		1-01 *				002			1				140
	FILE EMPTY	H	C03E2		1-02 *											140
	FILE EMPTY				1									6-0/8		140
	FILE FULL	H	B03M1		1-01 *				002			1				141
	FILE FULL	H	C03M2		1-02 *											141
	FILE FULL				1									5-0/8		141
	FIRST SEEK DONE	H	E01U2		1-01 *	H			001			1			HAND WIRE	142
	FIRST SEEK DONE	H	F02U2		1-02 *	H			001						H TO WHERE	142
	FIRST SEEK DONE				1									2-6/8		142
	FMT (1)	H	C01N1		1-01 *	H			001			2			HAND WIRE	143
	FMT (1)	H	C02N1		1-02 *	H			001			1			HAND WIRE	143
	FMT (1)	H	C03N1		1-03 *	H			001						H TO WHERE	143
	FMT (1)				1									5-4/8		143
	GATE DATA TO BUS D	L	C02A1		1-01 *	H			001			2			HAND WIRE	144
	GATE DATA TO BUS D	L	C03A1		1-02 *	H			001			1			HAND WIRE	144
	GATE DATA TO BUS D	L	C04A1		1-03 *	H			001						H TO WHERE	144
	GATE DATA TO BUS D				1									5-4/8		144
	GEN CLR	L	E01K2	E02K2	1-01 *	H			001			2			HAND WIRE	145
	GEN CLR	L	E02K2		1-02 *				001			1			TO NEXT	145
	GEN CLR	L	C03P2		1-03 *											145
	GEN CLR				1									10-6/8		145
	GEN DATA	H	F01E2		1-01 *	H			001			1			HAND WIRE	146
	GEN DATA	H	F02E2		1-02 *	H			001						H TO WHERE	146
	GEN DATA				1									2-6/8		146

CORPORATION

RK110.F RUN NAME	HND288.V22(22) 11/06/73				U	DRAN	KV	PG	I	A	Z	REMARKS	1-MAY-74 LENGTH	19827 EXCEPTIONS	PAGE 16 NUM NUMBER
	A/P	PIN NAME	ORDER PIN	RAY - ORDER											
GND 01		C01A1	C01C2	1-01 *	1						1				147
GND 01		C01C2		1-02 *	H	D01					2	P	HAND WIRE		147
GND 01		A01B2		1-03 *	H		U02				1	P	HAND WIRE		147
GND 01		A01C2		1-04 *	H		U02				2	P	HAND WIRE		147
GND 01		A01N1		1-05 *	H		U02				1	P	HAND WIRE		147
GND 01		A01P1		1-06 *	H		U02				2	P	HAND WIRE		147
GND 01		A01R1		1-07 *	H		U02				1	P	HAND WIRE		147
GND 01		A01S1		1-08 *	H		U02				2	P	HAND WIRE		147
GND 01		A01T1		1-09 *	H		U02				1	P	HAND WIRE		147
GND 01		A01V2		1-10 *	H		U02				2	P	HAND WIRE		147
GND 01		B01B2		1-11 *	H		U02				1	P	HAND WIRE		147
GND 01		B01C2		1-12 *	H		U02				2	P	HAND WIRE		147
GND 01		B01D1		1-13 *	H		U02				1	P	HAND WIRE		147
GND 01		B01E1		1-14 *	H		U02				2	P	HAND WIRE		147
GND 01		B01T1		1-15 *	H		U02				1	P	HAND WIRE		147
GND 01		B01V2		1-16 *	H		U02				2	P	HAND WIRE		147
GND 01		C01T1		1-17 *	H		U01				1	P	HAND WIRE		147
GND 01		D01C2		1-18 *	H		U01				2	P	HAND WIRE		147
GND 01		D01T1		1-19 *	H		U01				1	P	HAND WIRE		147
GND 01		E01C2		1-20 *	H		U01				2	P	HAND WIRE		147
GND 01		E01T1		1-21 *	H		U01				1	P	HAND WIRE		147
GND 01		F01C2		1-22 *	H		U01				2	P	HAND WIRE		147
GND 01		F01T1		1-23 *	H		U01				1	P	H TO WIRE		147
GND 01				1									73-2/8		147
GND 02		A02B2		1-01 *	H		U02				2	P	HAND WIRE		148
GND 02		A02C2		1-02 *	H		U02				1	P	HAND WIRE		148
GND 02		A02N1		1-03 *	H		U02				2	P	HAND WIRE		148
GND 02		A02P1		1-04 *	H		U02				1	P	HAND WIRE		148
GND 02		A02R1		1-05 *	H		U02				2	P	HAND WIRE		148
GND 02		A02S1		1-06 *	H		U02				1	P	HAND WIRE		148
GND 02		A02T1		1-07 *	H		U02				2	P	HAND WIRE		148
GND 02		A02V2		1-08 *	H		U02				1	P	HAND WIRE		148
GND 02		A02U1		1-09 *	H		U02				2	P	HAND WIRE		148
GND 02		B02B2		1-10 *	H		U02				1	P	HAND WIRE		148
GND 02		B02C2		1-11 *	H		U02				2	P	HAND WIRE		148
GND 02		B02D1		1-12 *	H		U02				1	P	HAND WIRE		148
GND 02		B02E1		1-13 *	H		U02				2	P	HAND WIRE		148
GND 02		B02T1		1-14 *	H		U02				1	P	HAND WIRE		148
GND 02		B02V2		1-15 *	H		U02				2	P	HAND WIRE		148
GND 02		C02C2		1-16 *	H		U01				1	P	HAND WIRE		148
GND 02		C02T1		1-17 *	H		U01				2	P	HAND WIRE		148
GND 02		D02C2		1-18 *	H		U01				1	P	HAND WIRE		148
GND 02		D02T1		1-19 *	H		U01				2	P	HAND WIRE		148
GND 02		E02C2		1-20 *	H		U01				1	P	HAND WIRE		148
GND 02		E02T1		1-21 *	H		U01				2	P	HAND WIRE		148
GND 02		F02C2		1-22 *	H		U01				1	P	HAND WIRE		148
GND 02		F02T1		1-23 *	H		U01				1	P	H TO WIRE		148
GND 02				1									68-2/8		148

CORPORATION

RK110.F RUN NAME	HND288.V22(22) 11/06/73				U	DRAN	KV	PG	I	A	Z	REMARKS	1-MAY-74 LENGTH	19827 EXCEPTIONS	PAGE 17 NUM NUMBER
	A/P	PIN NAME	ORDER PIN	RAY - ORDER											
GND 03		A03C2		1-01 *	H		U02				1	P	HAND WIRE		149
GND 03		A03D2		1-02 *	H		U02				2	P	HAND WIRE		149
GND 03		A03E2		1-03 *	H		U02				1	P	HAND WIRE		149
GND 03		A03F2		1-04 *	H		U02				2	P	HAND WIRE		149
GND 03		A03N1		1-05 *	H		U02				1	P	HAND WIRE		149
GND 03		A03P1		1-06 *	H		U02				2	P	HAND WIRE		149
GND 03		A03R1		1-07 *	H		U02				1	P	HAND WIRE		149
GND 03		A03S1		1-08 *	H		U02				2	P	HAND WIRE		149
GND 03		A03T1		1-09 *	H		U02				1	P	HAND WIRE		149
GND 03		A03U1		1-10 *	H		U02				2	P	HAND WIRE		149
GND 03		A03V1		1-11 *	H		U02				1	P	HAND WIRE		149
GND 03		B03C2		1-12 *	H		U02				2	P	HAND WIRE		149
GND 03		B03T1		1-13 *	H		U02				1	P	HAND WIRE		149
GND 03		C03C2		1-14 *	H		U01				2	P	HAND WIRE		149
GND 03		C03T1		1-15 *	H		U01				1	P	HAND WIRE		149
GND 03		D03C2		1-16 *	H		U01				2	P	HAND WIRE		149
GND 03		D03T1		1-17 *	H		U01				1	P	HAND WIRE		149
GND 03		E03C2		1-18 *	H		U01				2	P	HAND WIRE		149
GND 03		E03T1		1-19 *	H		U01				1	P	HAND WIRE		149
GND 03		F03C2		1-20 *	H		U01				2	P	HAND WIRE		149
GND 03		F03T1		1-21 *	H		U01				1	P	H TO WIRE		149
GND 03				1									62-4/8		149
GND 04		A04B2		1-01 *	H		U02				1	P	HAND WIRE		150
GND 04		A04C2		1-02 *	H		U02				2	P	HAND WIRE		150
GND 04		A04N1		1-03 *	H		U02				1	P	HAND WIRE		150
GND 04		A04P1		1-04 *	H		U02				2	P	HAND WIRE		150
GND 04		A04R1		1-05 *	H		U02				1	P	HAND WIRE		150
GND 04		A04S1		1-06 *	H		U02				2	P	HAND WIRE		150
GND 04		A04T1		1-07 *	H		U02				1	P	HAND WIRE		150
GND 04		A04V2		1-08 *	H		U02				2	P	HAND WIRE		150
GND 04		B04B2		1-09 *	H		U02				1	P	HAND WIRE		150
GND 04		B04C2		1-10 *	H		U02				2	P	HAND WIRE		150
GND 04		B04D1		1-11 *	H		U02				1	P	HAND WIRE		150
GND 04		B04E1		1-12 *	H		U02				2	P	HAND WIRE		150
GND 04		B04T1		1-13 *	H		U02				1	P	HAND WIRE		150
GND 04		B04V2		1-14 *	H		U02				2	P	HAND WIRE		150
GND 04		C04C2		1-15 *	H		U01				1	P	HAND WIRE		150
GND 04		C04T1		1-16 *	H		U01				2	P	HAND WIRE		150
GND 04		D04C2		1-17 *	H		U01				1	P	HAND WIRE		150
GND 04		D04T1		1-18 *	H		U01				2	P	HAND WIRE		150
GND 04		E04C2		1-19 *	H		U01				1	P	HAND WIRE		150
GND 04		E04T1		1-20 *	H		U01				2	P	HAND WIRE		150
GND 04		F04C2		1-21 *	H		U01				1	P	HAND WIRE		150
GND 04		F04T1		1-22 *	H		U01				1	P	H TO WIRE		150
GND 04				1									65-6/8		150

57

65

55	RK110.F RUN NAME	HND288.V22(22) 11/06/73	A/P	PIN NAME	ORDER PIN	BAY - ORDER	U	DKA	KV	PG	I	X	Z	REMARKS	1-MAY-74 LENGTH	19:27 EXCEPTIONS	PAGE 18 RUN NUMBER
	NE (1)		H	F03E2	1-01	*	H		U02				1				151
	NE (1)		H	F02T2	1-02	*	H		U01				2		HAND WIRE	151	
	NE (1)		H	F01T2	1-03	*	H		U01						H TO WHERE	151	
	NE (1)				1										17-2/8		151
	HEAD + CHK SUM		H	F01P2	1-01	*	H		U01				1		HAND WIRE	152	
	HEAD + CHK SUM		H	F02P2	1-02	*	H		U01						H TO WHERE	152	
	HEAD + CHK SUM				1										2-6/8		152
	HEAD UK (1)		L	F01U2	1-01	*	H		U01				1		HAND WIRE	153	
	HEAD UK (1)		L	F02U2	1-02	*	H		U01						H TO WHERE	153	
	HEAD UK (1)				1										2-6/8		153
	HEADER (1)		H	C01J1	1-01	*	H		U01				1		HAND WIRE	154	
	HEADER (1)		H	C03U1	1-02	*	H		U01						H TO WHERE	154	
	HEADER (1)				1										3-2/8		154
	IBA (0)		H	F01K2	1-01	*	H		U01				1		HAND WIRE	155	
	IBA (0)		H	F03K2	1-02	*	H		U01						H TO WHERE	155	
	IBA (0)				1										3-2/8		155
	ID 0 (1)		H	F01E1	1-01	*	H		U01				1		HAND WIRE	156	
	ID 0 (1)		H	F02E1	1-02	*	H		U01						H TO WHERE	156	
	ID 0 (1)				1										2-6/8		156
	ID 1 (1)		H	F01F1	1-01	*	H		U01				1		HAND WIRE	157	
	ID 1 (1)		H	F02F1	1-02	*	H		U01						H TO WHERE	157	
	ID 1 (1)				1										2-6/8		157
	ID 2 (1)		H	F01H1	1-01	*	H		U01				1		HAND WIRE	158	
	ID 2 (1)		H	F02H1	1-02	*	H		U01						H TO WHERE	158	
	ID 2 (1)				1										2-6/8		158
	IDE (1)		H	F01A1	1-01	*	H		U01				1		HAND WIRE	159	
	IDE (1)		H	U02V2	1-02	*	H		U01				2		HAND WIRE	159	
	IDE (1)		H	F04A1	1-03	*	H		U01						H TO WHERE	159	
	IDE (1)				1										6-6/8		159
	ILLEGAL ADD		H	F01K1	1-01	*	H		U01				1		HAND WIRE	160	
	ILLEGAL ADD		H	F02K1	1-02	*	H		U01						H TO WHERE	160	
	ILLEGAL ADD				1										2-6/8		160
	IN BUFF FULL (1)		H	B03J2	1-01	*			U02				1				161
	IN BUFF FULL (1)		H	C03K2	1-02	*											161
	IN BUFF FULL (1)				1										5-0/8		161

EQUIPMENT CORPORATION

EQUIPMENT CORPORATION

	RK110.F RUN NAME	HND288.V22(22) 11/06/73	A/P	PIN NAME	ORDER PIN	BAY - ORDER	U	DKA	KV	PG	I	X	Z	REMARKS	1-MAY-74 LENGTH	19:27 EXCEPTIONS	PAGE 19 RUN NUMBER
	INIT		H	F01T2	1-01	*	H		U01				2		HAND WIRE	162	
	INIT		H	F02T2	1-02	*	H		U01				1		HAND WIRE	162	
	INIT		H	F03T2	1-03	*	H		U01						H TO WHERE	162	
	INIT				1										5-4/8		162
	INIT		L	F01A1	1-01	*	H		U01				2		HAND WIRE	163	
	INIT		L	F02A1	1-02	*	H		U01				1		HAND WIRE	163	
	INIT		L	F03A1	1-03	*	H		U01				2		HAND WIRE	163	
	INIT		L	F04A1	1-04	*	H		U01						H TO WHERE	163	
	INIT				1										8-2/8		163
	INT BUS A00 (1)		H	D01A1	1-01	*	H		U01				1		HAND WIRE	164	
	INT BUS A00 (1)		H	D03A1	1-02	*	H		U01						H TO WHERE	164	
	INT BUS A00 (1)				1										3-2/8		164
	INT BUS A01 (1)		H	D01B1	1-01	*	H		U01				1		HAND WIRE	165	
	INT BUS A01 (1)		H	D03B1	1-02	*	H		U01						H TO WHERE	165	
	INT BUS A01 (1)				1										3-2/8		165
	INT BUS A02 (1)		H	D01C1	1-01	*	H		U01				1		HAND WIRE	166	
	INT BUS A02 (1)		H	D03C1	1-02	*	H		U01						H TO WHERE	166	
	INT BUS A02 (1)				1										3-2/8		166
	INT BUS A03 (1)		H	D01D1	1-01	*	H		U01				1		HAND WIRE	167	
	INT BUS A03 (1)		H	D03D1	1-02	*	H		U01						H TO WHERE	167	
	INT BUS A03 (1)				1										3-2/8		167
	INT BUS A04 (1)		H	D01E1	1-01	*	H		U01				1		HAND WIRE	168	
	INT BUS A04 (1)		H	D03E1	1-02	*	H		U01						H TO WHERE	168	
	INT BUS A04 (1)				1										3-2/8		168
	INT BUS A05 (1)		H	D01F1	1-01	*	H		U01				1		HAND WIRE	169	
	INT BUS A05 (1)		H	D03F1	1-02	*	H		U01						H TO WHERE	169	
	INT BUS A05 (1)				1										3-2/8		169
	INT BUS A06 (1)		H	D01H1	1-01	*	H		U01				1		HAND WIRE	170	
	INT BUS A06 (1)		H	D03H1	1-02	*	H		U01						H TO WHERE	170	
	INT BUS A06 (1)				1										3-2/8		170
	INT BUS A07 (1)		H	D01J1	1-01	*	H		U01				1		HAND WIRE	171	
	INT BUS A07 (1)		H	D03J1	1-02	*	H		U01						H TO WHERE	171	
	INT BUS A07 (1)				1										3-2/8		171
	INT BUS A08 (1)		H	D01K1	1-01	*	H		U01				1		HAND WIRE	172	
	INT BUS A08 (1)		H	D03K1	1-02	*	H		U01						H TO WHERE	172	
	INT BUS A08 (1)				1										3-2/8		172

RK11D.F RUN NAME	HND288.V22(22) 11/06/73				Q	DRAW	KV	PG	I	X	Z	REMARKS	1-MAY-74 LENGTH	19:27 EXCEPTIONS	PAGE 20 NUM NUMBER
	A/P	PIN NAME	ORDER PIN	BAY - ORDER											
INT BUS A09 (1)	H	D01L1		1-01 * H										HAND WIRE	173
INT BUS A09 (1)	H	D03L1		1-02 * H										H TU WHERE	173
INT BUS A09 (1)				1									3-2/8		173
INT BUS A10 (1)	H	D01M1		1-01 * H										HAND WIRE	174
INT BUS A10 (1)	H	D03M1		1-02 * H										H TU WHERE	174
INT BUS A10 (1)				1									3-2/8		174
INT BUS A11 (1)	H	D01N1		1-01 * H										HAND WIRE	175
INT BUS A11 (1)	H	D03N1		1-02 * H										H TU WHERE	175
INT BUS A11 (1)				1									3-2/8		175
INT BUS A12 (1)	H	D01P1		1-01 * H										HAND WIRE	176
INT BUS A12 (1)	H	D03P1		1-02 * H										H TU WHERE	176
INT BUS A12 (1)				1									3-2/8		176
INT BUS A13 (1)	H	D01R1		1-01 * H										HAND WIRE	177
INT BUS A13 (1)	H	D03R1		1-02 * H										H TU WHERE	177
INT BUS A13 (1)				1									3-2/8		177
INT BUS A14 (1)	H	D01S1		1-01 * H										HAND WIRE	178
INT BUS A14 (1)	H	D03S1		1-02 * H										H TU WHERE	178
INT BUS A14 (1)				1									3-2/8		178
INT BUS A15 (1)	H	D01U1		1-01 * H										HAND WIRE	179
INT BUS A15 (1)	H	D03U1		1-02 * H										H TU WHERE	179
INT BUS A15 (1)				1									3-2/8		179
INT BUS D00 (1)	H	F03V2		1-01 * H										HAND WIRE	180
INT BUS D00 (1)	H	F04V2		1-02 * H										H TU WHERE	180
INT BUS D00 (1)				1									2-6/8		180
INT BUS D01 (1)	H	F03U2		1-01 * H										HAND WIRE	181
INT BUS D01 (1)	H	F04U2		1-02 * H										H TU WHERE	181
INT BUS D01 (1)				1									2-6/8		181
INT BUS D02 (1)	H	F03T2		1-01 * H										HAND WIRE	182
INT BUS D02 (1)	H	F04T2		1-02 * H										H TU WHERE	182
INT BUS D02 (1)				1									2-6/8		182
INT BUS D03 (1)	H	F03S2		1-01 * H										HAND WIRE	183
INT BUS D03 (1)	H	F04S2		1-02 * H										H TU WHERE	183
INT BUS D03 (1)				1									2-6/8		183
INT BUS D04 (1)	H	F03R2		1-01 * H										HAND WIRE	184
INT BUS D04 (1)	H	F04R2		1-02 * H										H TU WHERE	184
INT BUS D04 (1)				1									2-6/8		184

RK11D.F RUN NAME	HND288.V22(22) 11/06/73				Q	DRAW	KV	PG	I	X	Z	REMARKS	1-MAY-74 LENGTH	19:27 EXCEPTIONS	PAGE 21 NUM NUMBER
	A/P	PIN NAME	ORDER PIN	BAY - ORDER											
INT BUS D05 (1)	H	F03P2		1-01 * H										HAND WIRE	185
INT BUS D05 (1)	H	F04P2		1-02 * H										H TU WHERE	185
INT BUS D05 (1)				1									2-6/8		185
INT BUS D06 (1)	H	F03N2		1-01 * H										HAND WIRE	186
INT BUS D06 (1)	H	F04N2		1-02 * H										H TU WHERE	186
INT BUS D06 (1)				1									2-6/8		186
INT BUS D07 (1)	H	F03M2		1-01 * H										HAND WIRE	187
INT BUS D07 (1)	H	F04M2		1-02 * H										H TU WHERE	187
INT BUS D07 (1)				1									2-6/8		187
INT BUS D08 (1)	H	F03L2		1-01 * H										HAND WIRE	188
INT BUS D08 (1)	H	F04L2		1-02 * H										H TU WHERE	188
INT BUS D08 (1)				1									2-6/8		188
INT BUS D09 (1)	H	F03K2		1-01 * H										HAND WIRE	189
INT BUS D09 (1)	H	F04K2		1-02 * H										H TU WHERE	189
INT BUS D09 (1)				1									2-6/8		189
INT BUS D10 (1)	H	F03J2		1-01 * H										HAND WIRE	190
INT BUS D10 (1)	H	F04J2		1-02 * H										H TU WHERE	190
INT BUS D10 (1)				1									2-6/8		190
INT BUS D11 (1)	H	F03H2		1-01 * H										HAND WIRE	191
INT BUS D11 (1)	H	F04H2		1-02 * H										H TU WHERE	191
INT BUS D11 (1)				1									2-6/8		191
INT BUS D12 (1)	H	F03F2		1-01 * H										HAND WIRE	192
INT BUS D12 (1)	H	F04F2		1-02 * H										H TU WHERE	192
INT BUS D12 (1)				1									2-6/8		192
INT BUS D13 (1)	H	F03E2		1-01 * H										HAND WIRE	193
INT BUS D13 (1)	H	F04E2		1-02 * H										H TU WHERE	193
INT BUS D13 (1)				1									2-6/8		193
INT BUS D14 (1)	H	F03D2		1-01 * H										HAND WIRE	194
INT BUS D14 (1)	H	F04D2		1-02 * H										H TU WHERE	194
INT BUS D14 (1)				1									2-6/8		194
INT BUS D15 (1)	H	F03B1		1-01 * H										HAND WIRE	195
INT BUS D15 (1)	H	F04B1		1-02 * H										H TU WHERE	195
INT BUS D15 (1)				1									2-6/8		195
LAST BIT	H	F01D2		1-01 * H										HAND WIRE	196
LAST BIT	H	F02D2		1-02 * H										H TU WHERE	196
LAST BIT				1									2-6/8		196

29

REMARKS	1-MAY-74	19:27	PAGE 22					
	LENGTH	EXCEPTIONS	RUN NUMBER					
LAST SECTOR	L	C02U2	1-01 * H	U01	1		HAND WIRE	197
LAST SECTOR	L	C03U2	1-02 * H	U01			H TO WHERE	197
LAST SECTOR			1			2-6/8		197
LAST WORD DONE	L	C01L1	1-01 * H	U01	1		HAND WIRE	198
LAST WORD DONE	L	C03L1	1-02 * H	U01			H TO WHERE	198
LAST WORD DONE			1			3-2/8		198
LOAD RKBA HI	L	E03V2	1-01 * H	U01	1		HAND WIRE	199
LOAD RKBA HI	L	E04V2	1-02 * H	U01			H TO WHERE	199
LOAD RKBA HI			1			2-6/8		199
LOAD RKBA LO	L	E03H2	1-01 * H	U01	1		HAND WIRE	200
LOAD RKBA LO	L	E04H2	1-02 * H	U01			H TO WHERE	200
LOAD RKBA LO			1			2-6/8		200
LOAD RKCS HI	L	E01L1	1-01 * H	U01	1		HAND WIRE	201
LOAD RKCS HI	L	E04L1	1-02 * H	U01			H TO WHERE	201
LOAD RKCS HI			1			3-6/8		201
LOAD RKCS LO	L	E01M1	1-01 * H	U01	1		HAND WIRE	202
LOAD RKCS LO	L	E04M1	1-02 * H	U01			H TO WHERE	202
LOAD RKCS LO			1			3-6/8		202
LOAD RKDA HI	L	E03E2	1-01 * H	U01	1		HAND WIRE	203
LOAD RKDA HI	L	E04E2	1-02 * H	U01			H TO WHERE	203
LOAD RKDA HI			1			2-6/8		203
LOAD RKDA LO	L	E03F2	1-01 * H	U01	1		HAND WIRE	204
LOAD RKDA LO	L	E04F2	1-02 * H	U01			H TO WHERE	204
LOAD RKDA LO			1			2-6/8		204
LOAD RKWC HI	L	E01B1	1-01 * H	U01	1		HAND WIRE	205
LOAD RKWC HI	L	E04B1	1-02 * H	U01			H TO WHERE	205
LOAD RKWC HI			1			3-6/8		205
LOAD RKWC LO	L	E01F1	1-01 * H	U01	1		HAND WIRE	206
LOAD RKWC LO	L	E04F1	1-02 * H	U01			H TO WHERE	206
LOAD RKWC LO			1			3-6/8		206
CLK	L	A02U2	1-01 *		1			207
CLK	L	D02U2	1-02 *					207
CLK			1			8-6/8		207

EQUIPMENT CORPORATION

REMARKS	1-MAY-74	19:27	PAGE 23					
	LENGTH	EXCEPTIONS	RUN NUMBER					
NEW FUN	L	C01R1	1-01 * H	U01	2		HAND WIRE	208
NEW FUN	L	C02R1	1-02 * H	U01	1		HAND WIRE	208
NEW FUN	L	C03R1	1-03 * H	U01			H TO WHERE	208
NEW FUN			1			5-4/8		208
NPR EN (1)	H	C03V2	1-01 *		1			209
NPR EN (1)	H	E04M2	1-02 *					209
NPR EN (1)			1			7-0/8		209
NPR HEO	H	E03J2	1-01 * H	U01	1		HAND WIRE	210
NPR HEO	H	E04J2	1-02 * H	U01			H TO WHERE	210
NPR HEO			1			2-6/8		210
NIM (1)	H	E01N1	1-01 * H	U01	1		HAND WIRE	211
NIM (1)	H	E04N1	1-02 * H	U01			H TO WHERE	211
NIM (1)			1			3-6/8		211
OUT BUFF FULL (1)	H	B03L2	1-01 *	U02	1			212
OUT BUFF FULL (1)	H	C03L2	1-02 *					212
OUT BUFF FULL (1)			1			4-6/8		212
PULL DONE	L	F01U1	1-01 * H	U01	1		HAND WIRE	213
PULL DONE	L	F02U1	1-02 * H	U01			H TO WHERE	213
PULL DONE			1			2-6/8		213
PREAMBLE (1)	H	F01M2	1-01 * H	U01	1		HAND WIRE	214
PREAMBLE (1)	H	F02M2	1-02 * H	U01			H TO WHERE	214
PREAMBLE (1)			1			2-6/8		214
R/W/S RDY	H	F01P2	1-01 * H	U01	1		HAND WIRE	215
R/W/S RDY	H	E02P2	1-02 * H	U01			H TO WHERE	215
R/W/S RDY			1			2-6/8		215
RD DATA=WT DATA	H	F01M1	1-01 * H	U01	1		HAND WIRE	216
RD DATA=WT DATA	H	F02M1	1-02 * H	U01			H TO WHERE	216
RD DATA=WT DATA			1			2-6/8		216
RD GATE (1)	H	B03P2	1-01 *	U02	1			217
RD GATE (1)	H	D02J2	1-02 *					217
RD GATE (1)			1			9-0/8		217
RD GATE EN	H	F01J2	1-01 * H	U01	1		HAND WIRE	218
RD GATE EN	H	F02J2	1-02 * H	U01			H TO WHERE	218
RD GATE EN			1			2-6/8		218

EQUIPMENT CORPORATION

PKID.F RUN NAME	A/P	PIN NAME	ORDER PIN	RAY - ORDER	U	DKA*	KV	PG	I	X	Z	REMARKS	1-MAY-74 LENGTH	1927 EXCEPTIONS	PAGE 24 NUM NUMBER
RD HEADER (1)	H	F01L1		1-01 *	H						1			HAND WIRE	219
RD HEADER (1)	H	F02L1		1-02 *	H									H TO WHERE	219
RD HEADER (1)				1									2-6/8		219
RD+RD CHK	H	H03D2		1-01 *							1				220
RD+RD CHK	H	C03K1		1-02 *	H						2			HAND WIRE	220
RD+RD CHK	H	C01K1		1-03 *	H									H TO WHERE	220
RD+RD CHK				1									9-0/8		220
READ	H	E01U1		1-01 *	H						1			HAND WIRE	221
READ	H	E03U2		1-02 *	H						2			HAND WIRE	221
READ	H	E04U2		1-03 *	H									H TO WHERE	221
READ				1									6-2/8		221
RK INT MASTER	H	D02U1		1-01 *	H						1			HAND WIRE	222
RK INT MASTER	H	D04U1		1-02 *	H									H TO WHERE	222
RK INT MASTER				1									3-2/8		222
RK INT REQ	H	E02K2		1-01 *	H						1			HAND WIRE	223
RK INT REQ	H	E04K2		1-02 *	H									H TO WHERE	223
RK INT REQ				1									3-2/8		223
RK NPR MASTER	H	C03J2		1-01 *	I						1				224
RK NPR MASTER	H	E04H1		1-02 *	H						2			HAND WIRE	224
RK NPR MASTER	H	E01H1		1-03 *	H									H TO WHERE	224
RK NPR MASTER				1									11-5/8		224
RK05	H	F01C1		1-01 *	H						1			HAND WIRE	225
RK05	H	F02C1		1-02 *	H									H TO WHERE	225
RK05				1									2-6/8		225
RKA 01 (1)	H	E01K1		1-01 *	H						2			HAND WIRE	226
RKA 01 (1)	H	E04K1		1-02 *	H						1			HAND WIRE	226
RKA 01 (1)	H	E03M2		1-03 *										H TO HERE	226
RKA 01 (1)				1									6-4/8		226
RKA 02 (1)	H	E01J1		1-01 *	H						1			HAND WIRE	227
RKA 02 (1)	H	E04J1		1-02 *	H						2			HAND WIRE	227
RKA 02 (1)	H	E03N2		1-03 *										H TO HERE	227
RKA 02 (1)				1									6-6/8		227
RKA 03 (1)	H	E03V1		1-01 *	H						1			HAND WIRE	228
RKA 03 (1)	H	E04V1		1-02 *	H									H TO WHERE	228
RKA 03 (1)				1									2-6/8		228

PKID.F RUN NAME	A/P	PIN NAME	ORDER PIN	RAY - ORDER	U	DKA*	KV	PG	I	X	Z	REMARKS	1-MAY-74 LENGTH	1927 EXCEPTIONS	PAGE 25 NUM NUMBER
RKBA 01 (1)	H	F03C1		1-01 *	H						1			HAND WIRE	229
RKBA 01 (1)	H	F04C1		1-02 *	H									H TO WHERE	229
RKBA 01 (1)				1									2-6/8		229
RKBA 02 (1)	H	F03D1		1-01 *	H						1			HAND WIRE	230
RKBA 02 (1)	H	F04D1		1-02 *	H									H TO WHERE	230
RKBA 02 (1)				1									2-6/8		230
RKBA 03 (1)	H	F03E1		1-01 *	H						1			HAND WIRE	231
RKBA 03 (1)	H	F04E1		1-02 *	H									H TO WHERE	231
RKBA 03 (1)				1									2-6/8		231
RKBA 04 (1)	H	F03F1		1-01 *	H						1			HAND WIRE	232
RKBA 04 (1)	H	F04F1		1-02 *	H									H TO WHERE	232
RKBA 04 (1)				1									2-6/8		232
RKBA 05 (1)	H	F03H1		1-01 *	H						1			HAND WIRE	233
RKBA 05 (1)	H	F04H1		1-02 *	H									H TO WHERE	233
RKBA 05 (1)				1									2-6/8		233
RKBA 06 (1)	H	F03J1		1-01 *	H						1			HAND WIRE	234
RKBA 06 (1)	H	F04J1		1-02 *	H									H TO WHERE	234
RKBA 06 (1)				1									2-6/8		234
RKBA 07 (1)	H	F03K1		1-01 *	H						1			HAND WIRE	235
RKBA 07 (1)	H	F04K1		1-02 *	H									H TO WHERE	235
RKBA 07 (1)				1									2-6/8		235
RKBA 08 (1)	H	F03L1		1-01 *	H						1			HAND WIRE	236
RKBA 08 (1)	H	F04L1		1-02 *	H									H TO WHERE	236
RKBA 08 (1)				1									2-6/8		236
RKBA 09 (1)	H	F03M1		1-01 *	H						1			HAND WIRE	237
RKBA 09 (1)	H	F04M1		1-02 *	H									H TO WHERE	237
RKBA 09 (1)				1									2-6/8		237
RKBA 10 (1)	H	F03N1		1-01 *	H						1			HAND WIRE	238
RKBA 10 (1)	H	F04N1		1-02 *	H									H TO WHERE	238
RKBA 10 (1)				1									2-6/8		238
RKBA 11 (1)	H	F03R1		1-01 *	H						1			HAND WIRE	239
RKBA 11 (1)	H	F04R1		1-02 *	H									H TO WHERE	239
RKBA 11 (1)				1									2-6/8		239
RKBA 12 (1)	H	F03P1		1-01 *	H						1			HAND WIRE	240
RKBA 12 (1)	H	F04P1		1-02 *	H									H TO WHERE	240
RKBA 12 (1)				1									2-6/8		240

EQUIPMENT CORPORATION

EQUIPMENT CORPORATION

19

RKID.F RUN NAME	A/P	PIN NAME	ORDER PIN	DAY - ORDER	U	DKA	KV	PG	I	A	Z	REMARKS	1-MAY-74 LENGTH	19:27 EXCEPTIONS	PAGE 26 NUM NUMBER
RKDA 11 (1)	H	F0351		1-01 *	H			U01			1			HAND WIRE	241
RKDA 11 (1)	H	F0451		1-02 *	H			U01			1			H TU WHERE	241
RKDA 11 (1)				1									2-6/8		241
RKDA 14 (1)	H	F0301		1-01 *	H			U01			1			HAND WIRE	242
RKDA 14 (1)	H	F0401		1-02 *	H			U01			1			H TU WHERE	242
RKDA 14 (1)				1									2-6/8		242
RKDA 15 (1)	H	F03V1		1-01 *	H			U01			1			HAND WIRE	243
RKDA 15 (1)	H	F04V1		1-02 *	H			U01			1			H TU WHERE	243
RKDA 15 (1)				1									2-6/8		243
RKDA 00V	L	E0151		1-01 *	H			U01			1			HAND WIRE	244
RKDA 00V	L	E0152		1-02 *	H			U01			1			H TU WHERE	244
RKDA 00V				1									3-4/8		244
RKDA 00 (1)	H	E01P2		1-01 *	H			U02			1			HAND WIRE	245
RKDA 00 (1)	H	E03A1		1-02 *	H			U01			2			H TU WHERE	245
RKDA 00 (1)	H	E02A1		1-03 *	H			U01			1			H TU WHERE	245
RKDA 00 (1)				1									11-4/8		245
RKDA 01 (1)	H	E01V1		1-01 *	H			U02			1			HAND WIRE	246
RKDA 01 (1)	H	E03H1		1-02 *	H			U01			2			H TU WHERE	246
RKDA 01 (1)	H	E02H1		1-03 *	H			U01			1			H TU WHERE	246
RKDA 01 (1)				1									10-6/8		246
RKDA 02 (1)	H	E03N1		1-01 *	H			U02			1			HAND WIRE	247
RKDA 02 (1)	H	E03C1		1-02 *	H			U01			2			HAND WIRE	247
RKDA 02 (1)	H	E02C1		1-03 *	H			U01			1			HAND WIRE	247
RKDA 02 (1)	H	E01C1		1-04 *	H			U01			1			H TU WHERE	247
RKDA 02 (1)				1									14-4/8		247
RKDA 03 (1)	H	E03K2		1-01 *	H			U02			1			HAND WIRE	248
RKDA 03 (1)	H	E03M1		1-02 *	H			U01			2			HAND WIRE	248
RKDA 03 (1)	H	E02D1		1-03 *	H			U01			1			HAND WIRE	248
RKDA 03 (1)	H	E01D1		1-04 *	H			U01			1			H TU WHERE	248
RKDA 03 (1)				1									15-0/8		248
RKDA 04 (1)	H	E03U2		1-01 *	H			U02			1			HAND WIRE	249
RKDA 04 (1)	H	E03M1		1-02 *	H			U01			2			HAND WIRE	249
RKDA 04 (1)	H	E02K1		1-03 *	H			U01			1			H TU WHERE	249
RKDA 04 (1)				1									11-4/8		249
RKDA 05 (1)	H	E03T2		1-01 *	H			U02			1			HAND WIRE	250
RKDA 05 (1)	H	E03V1		1-02 *	H			U01			2			HAND WIRE	250
RKDA 05 (1)	H	E02F1		1-03 *	H			U01			1			H TU WHERE	250
RKDA 05 (1)				1									11-6/8		250

RKID.F RUN NAME	A/P	PIN NAME	ORDER PIN	DAY - ORDER	U	DKA	KV	PG	I	A	Z	REMARKS	1-MAY-74 LENGTH	19:27 EXCEPTIONS	PAGE 27 NUM NUMBER
RKDA 06 (1)	H	E03C1		1-01 *	H			U02			1			HAND WIRE	251
RKDA 06 (1)	H	E03H1		1-02 *	H			U02			2			H TU WHERE	251
RKDA 06 (1)	H	E02H1		1-03 *	H			U01			1			H TU WHERE	251
RKDA 06 (1)				1									13-2/8		251
RKDA 07 (1)	H	E03J1		1-01 *	H			U01			1			HAND WIRE	252
RKDA 07 (1)	H	E03J1		1-02 *	H			U01			2			HAND WIRE	252
RKDA 07 (1)	H	E02J1		1-03 *	H			U01			1			H TU WHERE	252
RKDA 07 (1)				1									12-6/8		252
RKDA 08 (1)	H	E03F1		1-01 *	H			U02			1			HAND WIRE	253
RKDA 08 (1)	H	E03K1		1-02 *	H			U01			2			HAND WIRE	253
RKDA 08 (1)	H	E02K1		1-03 *	H			U01			1			H TU WHERE	253
RKDA 08 (1)				1									13-2/8		253
RKDA 09 (1)	H	E03L1		1-01 *	H			U02			1			HAND WIRE	254
RKDA 09 (1)	H	E03L1		1-02 *	H			U01			2			HAND WIRE	254
RKDA 09 (1)	H	E02L1		1-03 *	H			U01			1			H TU WHERE	254
RKDA 09 (1)				1									12-6/8		254
RKDA 10 (1)	H	E03P1		1-01 *	H			U02			1			HAND WIRE	255
RKDA 10 (1)	H	E03M1		1-02 *	H			U01			2			HAND WIRE	255
RKDA 10 (1)	H	E02M1		1-03 *	H			U01			1			H TU WHERE	255
RKDA 10 (1)				1									12-4/8		255
RKDA 11 (1)	H	E03S2		1-01 *	H			U02			1			HAND WIRE	256
RKDA 11 (1)	H	E03N1		1-02 *	H			U01			2			HAND WIRE	256
RKDA 11 (1)	H	E02N1		1-03 *	H			U01			1			H TU WHERE	256
RKDA 11 (1)				1									12-4/8		256
RKDA 12 (1)	H	E03K1		1-01 *	H			U02			1			HAND WIRE	257
RKDA 12 (1)	H	E03P1		1-02 *	H			U01			2			HAND WIRE	257
RKDA 12 (1)	H	E02P1		1-03 *	H			U01			1			H TU WHERE	257
RKDA 12 (1)				1									13-2/8		257
RKDA 13 (1)	H	E02K1		1-01 *	H			U01			1			HAND WIRE	258
RKDA 13 (1)	H	E03N1		1-02 *	H			U01			1			H TU WHERE	258
RKDA 13 (1)				1									2-6/8		258
RKDA 14 (1)	H	E02S1		1-01 *	H			U01			1			HAND WIRE	259
RKDA 14 (1)	H	E03S1		1-02 *	H			U01			1			H TU WHERE	259
RKDA 14 (1)				1									2-6/8		259
RKDA 15 (1)	H	E02U1		1-01 *	H			U01			1			HAND WIRE	260
RKDA 15 (1)	H	E03U1		1-02 *	H			U01			1			H TU WHERE	260
RKDA 15 (1)				1									2-6/8		260

RKID.F RUN NAME	A/P	PTN NAME	ORDER PIN	BAI - (GROUP)	U	DATA	KV	PG	1	2	REMARKS	1-MAY-74 LENGTH	19:27 EXCEPTIONS	PAGE 28 RUN NUMBER
RKDS 00 (1)	H	C02T2		1-01 * H			U01			1			HAND WIRE	261
RKDS 00 (1)	H	C03T2		1-02 * H			U01					2-6/8	H TO WHERE	261
RKDS 00 (1)				1										261
RKDS 00 (1)	H	E01V1		1-01 * H			U01			1			HAND WIRE	262
RKDS 00 (1)	H	E02V1		1-02 * H			U01					2-6/8	H TO WHERE	262
RKDS 00 (1)				1										262
RKDS 01 (1)	H	E0102		1-01 * H			U01			1			HAND WIRE	263
RKDS 01 (1)	H	E0202		1-02 * H			U01					2-6/8	H TO WHERE	263
RKDS 01 (1)				1										263
RKDS 02 (1)	H	E0102		1-01 * H			U01			1			HAND WIRE	264
RKDS 02 (1)	H	E0202		1-02 * H			U01					2-6/8	H TO WHERE	264
RKDS 02 (1)				1										264
RKDS 03 (1)	H	E0102		1-01 * H			U01			1			HAND WIRE	265
RKDS 03 (1)	H	E0202		1-02 * H			U01					2-6/8	H TO WHERE	265
RKDS 03 (1)				1										265
SC=SA	H	E0102		1-01 * H			U01			1			HAND WIRE	266
SC=SA	H	E0202		1-02 * H			U01					2-6/8	H TO WHERE	266
SC=SA				1										266
SCH CAP (1)	H	F01S1		1-01 * H			U01			1			HAND WIRE	267
SCH CAP (1)	H	F02S1		1-02 * H			U01					2-6/8	H TO WHERE	267
SCH CAP (1)				1										267
SECTION END	L	C02S2		1-01 * H			U01			1			HAND WIRE	268
SECTION END	L	C03S2		1-02 * H			U01					2-6/8	H TO WHERE	268
SECTION END				1										268
SECTION PULSE	H	E01M2		1-01 * H			U01			1			HAND WIRE	269
SECTION PULSE	H	E02M2		1-02 * H			U01					2-6/8	H TO WHERE	269
SECTION PULSE				1										269
SEEK OR RESET	H	F03M2		1-01 * H			U02			1			HAND WIRE	270
SEEK OR RESET	H	F02L2		1-02 * H			U01			2			H TO WHERE	270
SEEK OR RESET	H	F01L2		1-03 * H			U01					15-4/8	H TO WHERE	270
SEEK OR RESET				1										270
SER NO DATA (1)	H	C01V1		1-01 * H			U01			2			HAND WIRE	271
SER NO DATA (1)	H	C02V1		1-02 * H			U01			1			HAND WIRE	271
SER NO DATA (1)	H	C03V1		1-03 * H			U01					5-4/8	H TO WHERE	271
SER NO DATA (1)				1										271

RKID.F RUN NAME	A/P	PTN NAME	ORDER PIN	BAI - (ORDER)	U	DATA	KV	PG	1	2	REMARKS	1-MAY-74 LENGTH	19:27 EXCEPTIONS	PAGE 29 RUN NUMBER
SIN	H	E01M2		1-01 * H			U01			1			HAND WIRE	272
SIN	H	E02M2		1-02 * H			U01					2-6/8	H TO WHERE	272
SIN				1										272
STOP NPRS	L	C03H1		1-01 * H			U01			1			HAND WIRE	273
STOP NPRS	L	C03H1		1-02 * H			U01					3-2/8	H TO WHERE	273
STOP NPRS				1										273
STOP PULL	L	E01M2		1-01 * H			U01			1			HAND WIRE	274
STOP PULL	L	E02M2		1-02 * H			U01					2-6/8	H TO WHERE	274
STOP PULL				1										274
MC UVF (1)	H	C03S1		1-01 * H			U02			1			HAND WIRE	275
MC UVF (1)	H	C03J1		1-02 * H			U01			2			H TO WHERE	275
MC UVF (1)	H	C03J1		1-03 * H			U01					1-2/8	H TO WHERE	275
MC UVF (1)				1										275
WRITE	H	E01M2		1-01 * H			U01			1			HAND WIRE	276
WRITE	H	E02M2		1-02 * H			U01					2-6/8	H TO WHERE	276
WRITE				1										276
WT GATE (1)	H	F03M2		1-01 * H			U02			1			HAND WIRE	277
WT GATE (1)	H	F02P1		1-02 * H			U01			2			H TO WHERE	277
WT GATE (1)	H	F01P1		1-03 * H			U01					10-2/8	H TO WHERE	277
WT GATE (1)				1										277
WT LOCK	H	F01S2		1-01 * H			U01			1			HAND WIRE	278
WT LOCK	H	F02S2		1-02 * H			U01					2-6/8	H TO WHERE	278
WT LOCK				1										278
WT PRCT STATUS	H	E01J2		1-01 * H			U01			1			HAND WIRE	279
WT PRCT STATUS	H	E02J2		1-02 * H			U01					2-6/8	H TO WHERE	279
WT PRCT STATUS				1										279
WT+WT CNR	H	F03M2		1-01 * H			U02			1			HAND WIRE	280
WT+WT CNR	H	C03P1		1-02 * H			U01			2			H TO WHERE	280
WT+WT CNR	H	C02P1		1-03 * H			U01			1			H TO WHERE	280
WT+WT CNR	H	C01P1		1-04 * H			U01					11-2/8	H TO WHERE	280
WT+WT CNR				1										280
OPEN FUNCTION	H	E01V2		1-01 * H			U01			1			HAND WIRE	281
OPEN FUNCTION	H	E02V2		1-02 * H			U01					2-6/8	H TO WHERE	281
OPEN FUNCTION				1										281

70

This drawing and specifications herein are the property of Digital Equipment Corporation and shall not be reproduced or copied or used in whole or in part as the basis for the manufacture or sale of items without written permission.

DRAWING NUMBER	INIT REL	AUTOMATIC WIRE TESTER (AWT) REVISION STATUS															
	TIO	F	H														
K-WL-RKII-D-2	F	F	H														
C-1A-7009142-0-0	B	B	C														
D-CS-5410185-0-1	A	B	B														

AWT 7009142-0

REVISIONS	CHANGE NO.	REV.
	5410185-1	-
ORIGINATED		
D-C RKII-D-00019 H		

DRN <i>G. Vobe</i>	DATE 7-25-74	EQUIPMENT CORPORATION MAYNARD, MASSACHUSETTS
CHK'D. <i>W. B. ...</i>	DATE 7-25-74	
ENG. <i>V. ...</i>	DATE 7-25-74	TITLE
PROV. ENG. <i>V. ...</i>	DATE 7-25-74	RKII-D
DATE 7-25-74		AWT REVISION STATUS
FIRST USED ON RKII-D	SIZE CODE A	NUMBER WT 7009142-0
SCALE 1/1		REV. H
SHEET 1 OF 1	DIST.	

DRA 123  
DEC 14 (325)-1097-N174