

# CAUTION

Refer to the chart below to make sure you use the correct Power Supply Logic page.

Type	60 Hz Piggyback		60 Hz	50 Hz Piggyback	50 Hz
	Power Supply P/N	Logic Page P/N			
	2515367 2515410	2515413 2515421	2522838 2522840	1766045 1766046 2524644 2524645	2522837 2522839
Logic Page Name	Logic Page P/N	Logic Page P/N	Logic Page P/N	Logic Page P/N	Logic Page P/N
YB010	2515552	2515557	NA	NA	NA
YB015	NA	NA	NA	2524633	NA
YB020	2515553	2515558	2523061	NA	NA
YB025	NA	NA	NA	2524634	2523065
YB030	2515555	2515559	2523060	NA	NA
YB035	NA	NA	NA	2524635	2523064
YB036	NA	NA	2523066	NA	2523066
YB040	2515576	2515556	NA	NA	NA
YB045	NA	NA	NA	2524636	NA
YB050	2515574	2515574	NA	NA	NA
YB055	NA	NA	NA	2524685	NA
YB060	2515560	2515560	NA	2515560	NA
YC021	1845798	1845798	2524488	1845798	2524488
ZT051	1766579	1766579	2524497	1766579	2524497

3420 Models 3, 5, 7

YA001 Seq 1 of 2	4449680 Part Number	846320 1 Feb 80					
---------------------	------------------------	--------------------	--	--	--	--	--

# CAUTION

Refer to the chart below to make sure you use the correct Power Supply Logic page.

Type	60 Hz Piggyback		60 Hz	50 Hz Piggyback	50 Hz
Power Supply P/N	2515367 2515410	2515413 2515421	2522838 2522840	1766045 1766046 2524644 2524645	2522837 2522839
Logic Page Name	Logic Page P/N	Logic Page P/N	Logic Page P/N	Logic Page P/N	Logic Page P/N
YB010	2515552	2515557	NA	NA	NA
YB015	NA	NA	NA	2524633	NA
YB020	2515553	2515558	2523061	NA	NA
YB025	NA	NA	NA	2524634	2523065
YB030	2515555	2515559	2523060	NA	NA
YB035	NA	NA	NA	2524635	2523064
YB036	NA	NA	2523066	NA	2523066
YB040	2515576	2515556	NA	NA	NA
YB045	NA	NA	NA	2524636	NA
YB050	2515574	2515574	NA	NA	NA
YB055	NA	NA	NA	2524685	NA
YB060	2515560	2515560	NA	2515560	NA
YC021	1845798	1845798	2524488	1845798	2524488
ZT051	1766579	1766579	2524497	1766579	2524497

3420 Models 3, 5, 7

YA001	4449680	846320					
Seq 2 of 2	Part Number	1 Feb 80					

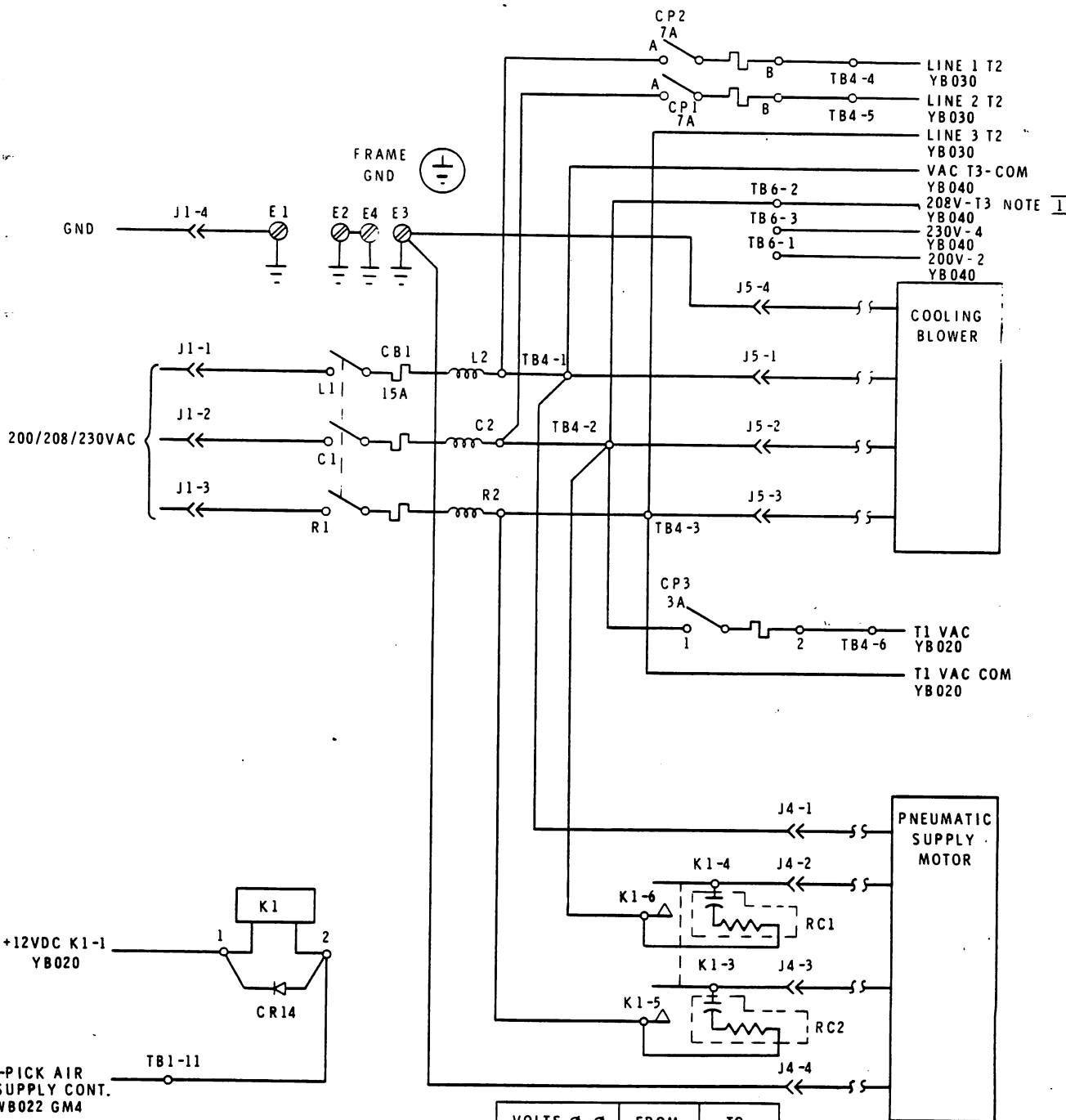
2515552

2515552

YB010

PRIMARY POWER 60HZ

3420-003, 005 PIGGYBACK  
FOR POWER SUPPLY P/N 2515367, 2515410



+12VDC K1-1  
YB020

-PICK AIR  
SUPPLY CONT.  
WB022 GM4

NOTES

- 1 LOGIC SHOWS CONN FOR 208 VAC OPERATION. SEE TABLE FOR CONN FOR 200 OR 230 VAC OPERATION

VOLTS Ø-Ø	FROM	TO
200	TB4-2	TB6-1
208	TB4-2	TB6-2
230	TB4-2	TB6-3

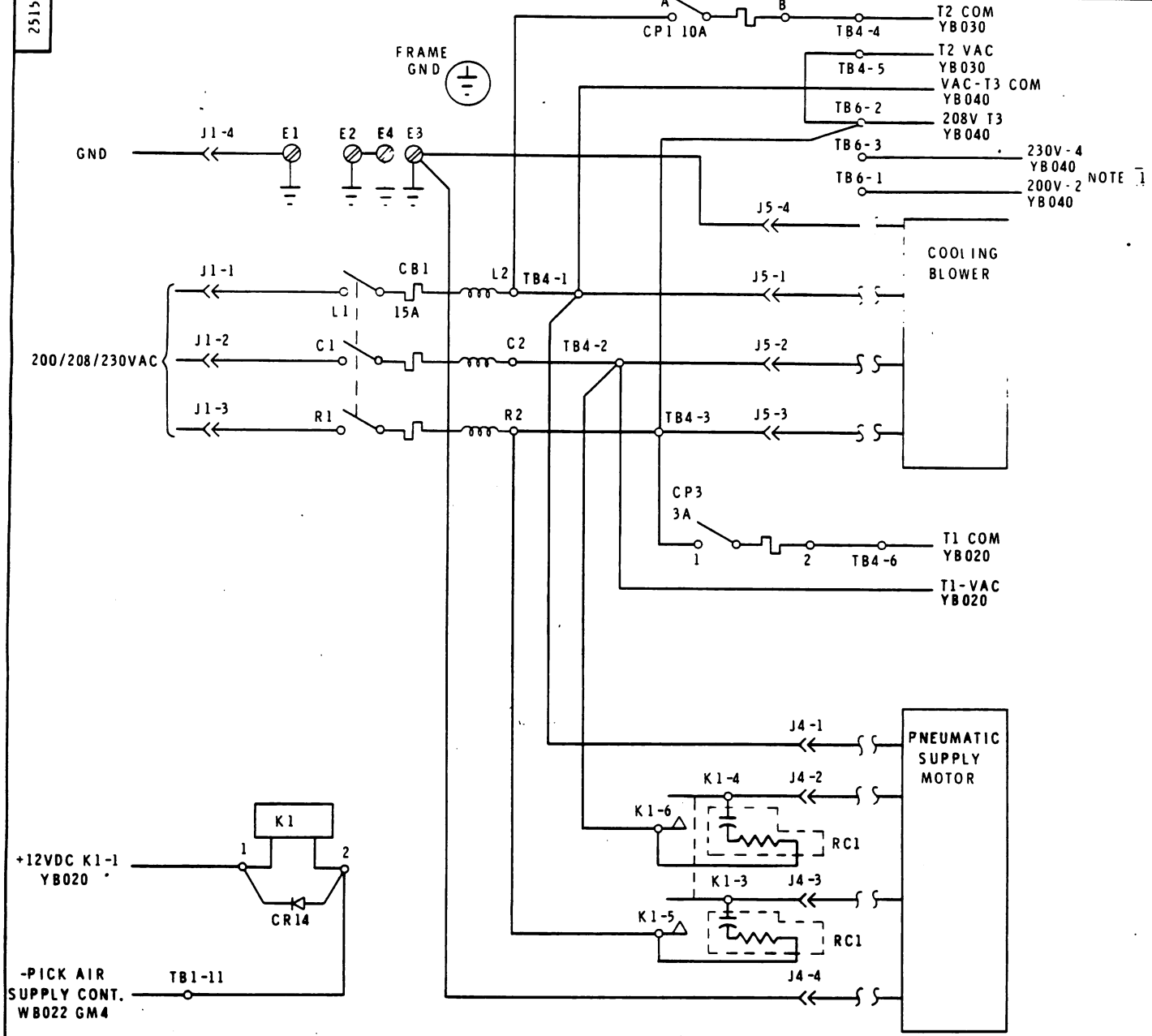
This document is the property of IBM. Its use is authorized only for responding to a request for quotation or for the performance of work for IBM. All questions must be referred to the IBM Purchasing Department.

IBM		DATE	CHANGE NO.	DATE	CHANGE NO.	NOTE	DEVELOPMENT NO.
NAME	SYSTEMS DIAGRAM	11SEP71	733706B	22MAY80	846320	X PRINT TO ENG. SPEC. NO.	2515552
AC 60HZ		9NOV71	733706				
DESIGN	ECH 7JUL71	14FEB72	734230				
DETAIL	LD 11SEP71	18AUG72	734261				
CHECK		23FEB74	736816				
APPRO	N-D J18AUG72						YB010

2515557

PRIMARY POWER 60HZ  
3420 - 003 - 005 - 007 PIGGYBACK  
FOR POWER SUPPLY P/N 2515413, 2515421

2515557 YB010



VOLTS Ø-Ø	FROM	TO	FROM	TO	LEAD #
200	TB4-3	TB6-1	TB4-5	TB6-1	DISCRETE JUMPER
208	TB4-3	TB6-2	TB4-5	TB6-2	DISCRETE JUMPER
230	TB4-3	TB6-3	TB4-5	TB6-3	DISCRETE JUMPER

NOTES  
 1 LOGIC SHOWS CONN FOR 208 VOLT OPERATION. SEE TABLE FOR CONN FOR ALL OTHER VOLTAGES

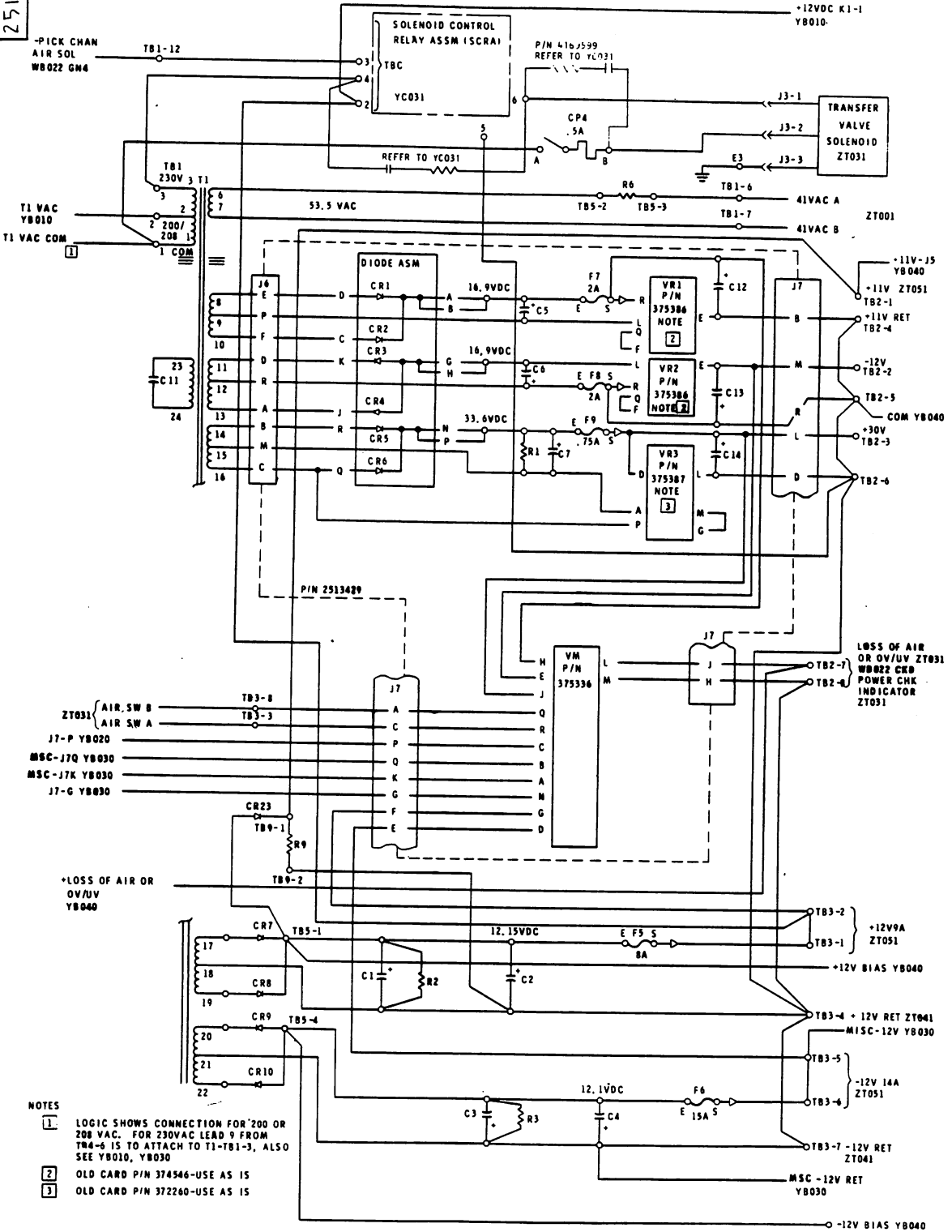
This document is the property of IBM. Its use is authorized only for responding to a request for quotation or for the performance of work for IBM. All questions must be referred to the IBM Purchasing Department.

IBM		DATE	CHANGE NO	DATE	CHANGE NO	NOTE	DEVELOPMENT NO.
NAME	SYSTEMS DIAGRAM	11SEP71	733706B	23FEB74	736816	x PRINT TO ENG. SPEC. NO.	2515557
	AC 60HZ	9NOV71	733706	22MAY80	846320		
DESIGN	ECH 7JUL71	14FEB72	734230				
DETAIL	LD 10SEP71	22AUG72	734261				
CHECK		12NOV73	734958				
APPRO	N-DJ 22AUG72						YB010

251553 D

DC SUPPLY 60HZ  
3420 - 003, 005 PIGGYBACK  
FOR POWER SUPPLY PART NUMBER 2515367, 2515410

PART NO 2515553  
LOGIC PG NO YB020



- NOTES
- 1 LOGIC SHOWS CONNECTION FOR 200 OR 208 VAC. FOR 230VAC LEAD 9 FROM TB4-6 IS TO ATTACH TO T1-TB1-3, ALSO SEE YB010, YB030
  - 2 OLD CARD P/N 374546-USE AS IS
  - 3 OLD CARD P/N 372260-USE AS IS

"THIS DOCUMENT IS THE PROPERTY OF IBM. ITS USE IS AUTHORIZED ONLY FOR RESPONDING TO A REQUEST FOR QUOTATION OR FOR THE PERFORMANCE OF WORK FOR IBM. ALL QUESTIONS MUST BE REFERRED TO THE IBM PURCHASING DEPARTMENT."

VOLTAGE		MEASURED ACROSS		IBM		DATE	CHANGE NO	DATE	CHANGE NO
16.9VDC ± 0%	-18%	C5, C6		NAME	SYSTEM DIAGRAM	10SEP71	733706B	22AUG72	734261
33.6VDC ± 0%	+16%	C7		DESIGN	ECH	14FEB72	734230	23MAR76	745002
12.15VDC ± 6%		C1, C2		DETAIL	LD	28MAR72	734232	22MAY80	846320
12.1VDC ± 7%		C3, C4		CHECK					
53.5 VAC ± 15%		TB5-2 TO TB1-7		APPRO	N-JWM	7AUG72			

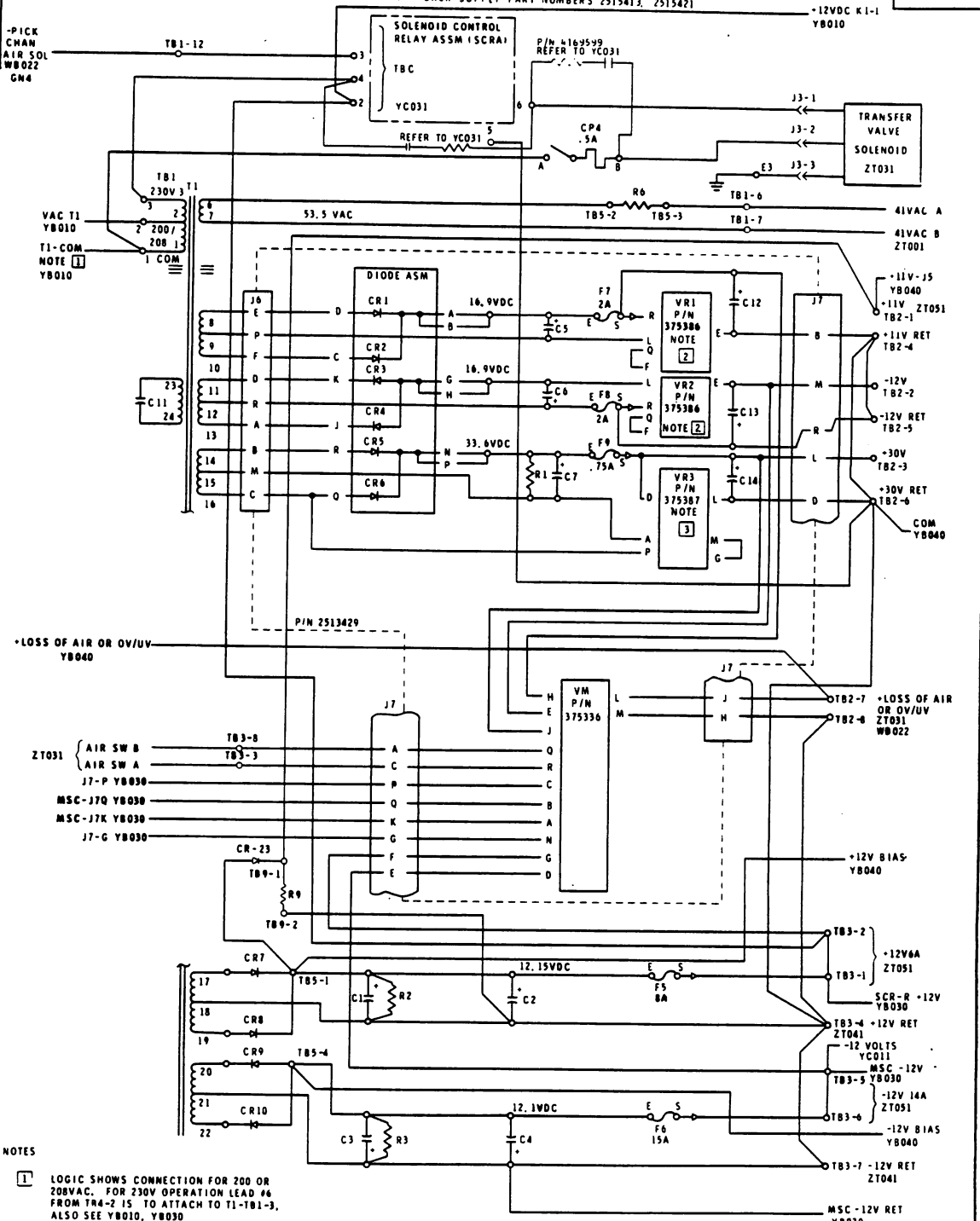
626-0178-000

251553 D

2515558

DC SUPPLY 60HZ  
3420-003-005-007 PIGGYBACK  
FOR POWER SUPPLY PART NUMBERS 2515413, 2515421

PART NO 2515558 LOGIC PG NO YB020



- NOTES
- 1 LOGIC SHOWS CONNECTION FOR 200 OR 208VAC. FOR 230V OPERATION LEAD 44 FROM TR4-2 IS TO ATTACH TO T1-TB1-3, ALSO SEE YB010, YB030
  - 2 OLD CARD P/N 374546-USE AS IS
  - 3 OLD CARD P/N 372260-USE AS IS

THIS DOCUMENT IS THE PROPERTY OF IBM ITS USE IS AUTHORIZED ONLY FOR RESPONDING TO A REQUEST FOR QUOTATION OR FOR THE PERFORMANCE OF WORK FOR IBM ALL QUESTIONS MUST BE REFERRED TO THE IBM PURCHASING DEPARTMENT

VOLTAGE	MEASURED ACROSS	NAME	DATE	CHANGE NO	DATE	CHANGE NO
16.9VDC -0% +18%	C5, C6	SYSTEM DIAGRAM	10SEP71	7337068	22AUG72	734261
33.6VDC -0% +16%	C7	DC 60HZ	9NOV71	733706	23 MAR 76	449022
12.15VDC ±6%	C1, C2	DESIGN	14FEB72	734230	22 MAR 78	846320
12.1VDC ±7%	C3, C4	DETAIL	28MAR72	734232		
53.5 VAC ±15%	TB5-2 TO TB1-7	CHECK				
		APPRO	N-JWM	7 AUG72		

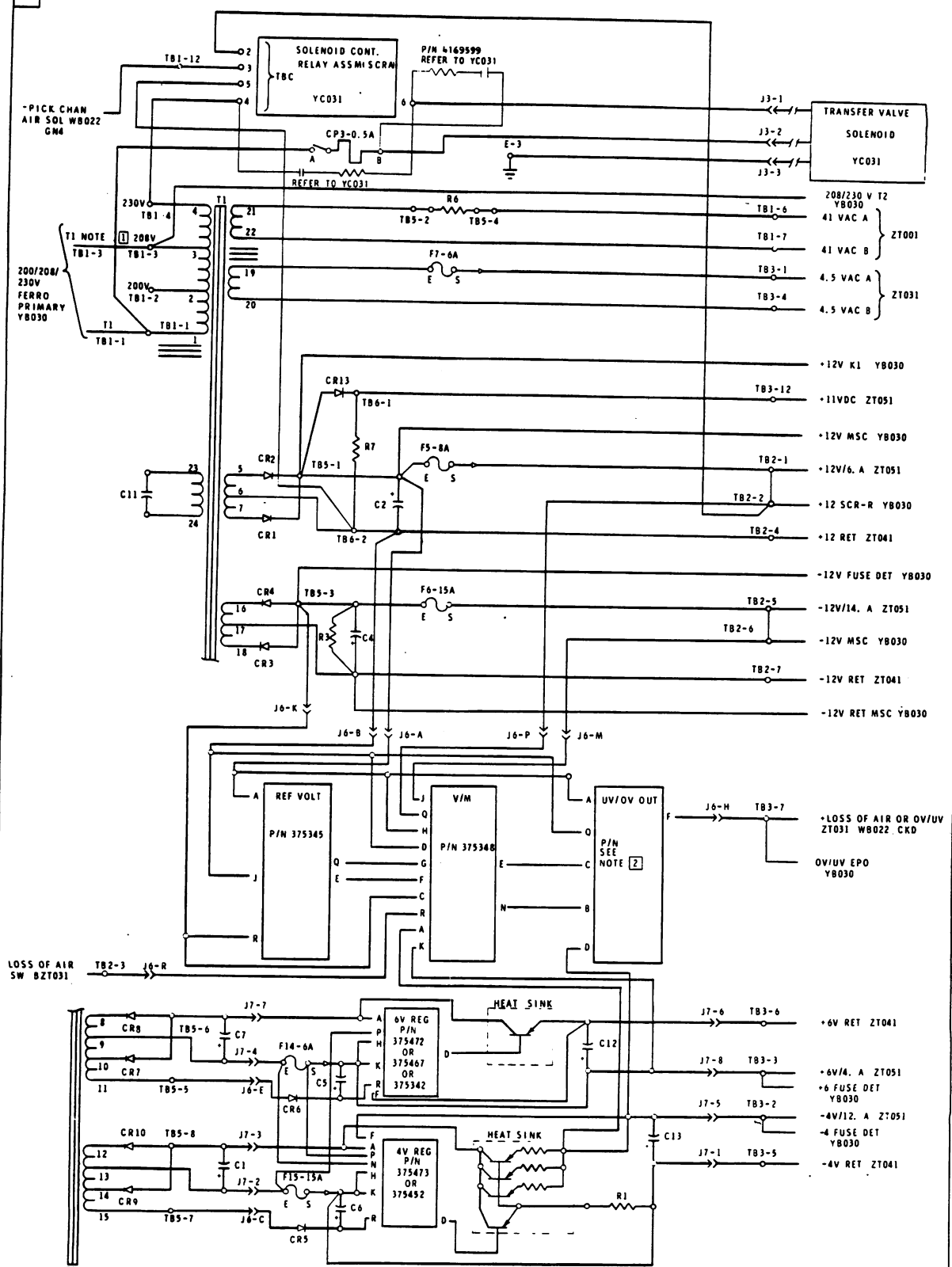
2515558

2522840

This diagram is the property of IBM. It is to be kept confidential and its use is restricted to the personnel of IBM. It is not to be distributed outside of IBM. All dimensions are in inches unless otherwise specified.

D C SUPPLY 60HZ  
FOR POWER SUPPLY PART NUMBERS 2522838, 2522840

YB020



NOTES  
1 SEE TABLE FOR THIS CONNECTION ALSO SEE YB 030

2 SUPPLY 2522840 USES PART NUMBER 375478 SUPPLY 2522838 (PRIOR TO EC 734506) USE P/N 375464 OR P/N 375347

FOR LINE VOLTAGE	LEAD 20 FROM YB030	TO T1	LEAD 13 FROM T1	TO T2 YB 030
200	T84-3	T81-2	T81-3	T87-2
208	T84-3	T81-3	T81-3	T87-2
230	T84-3	T81-4	T81-4	T87-3

NAME	DATE	CHANGE NO	DATE	CHANGE NO	NOTE	DEVELOPMENT NO
DRIVE D. C. 60HZ	22MAY80	846320				
DESIGNER	DATE	APP'D	DATE	APP'D		
DETAILS	25SEP77	734284				
CHECKED	31JAN73	734506				
APPROVED						YB020

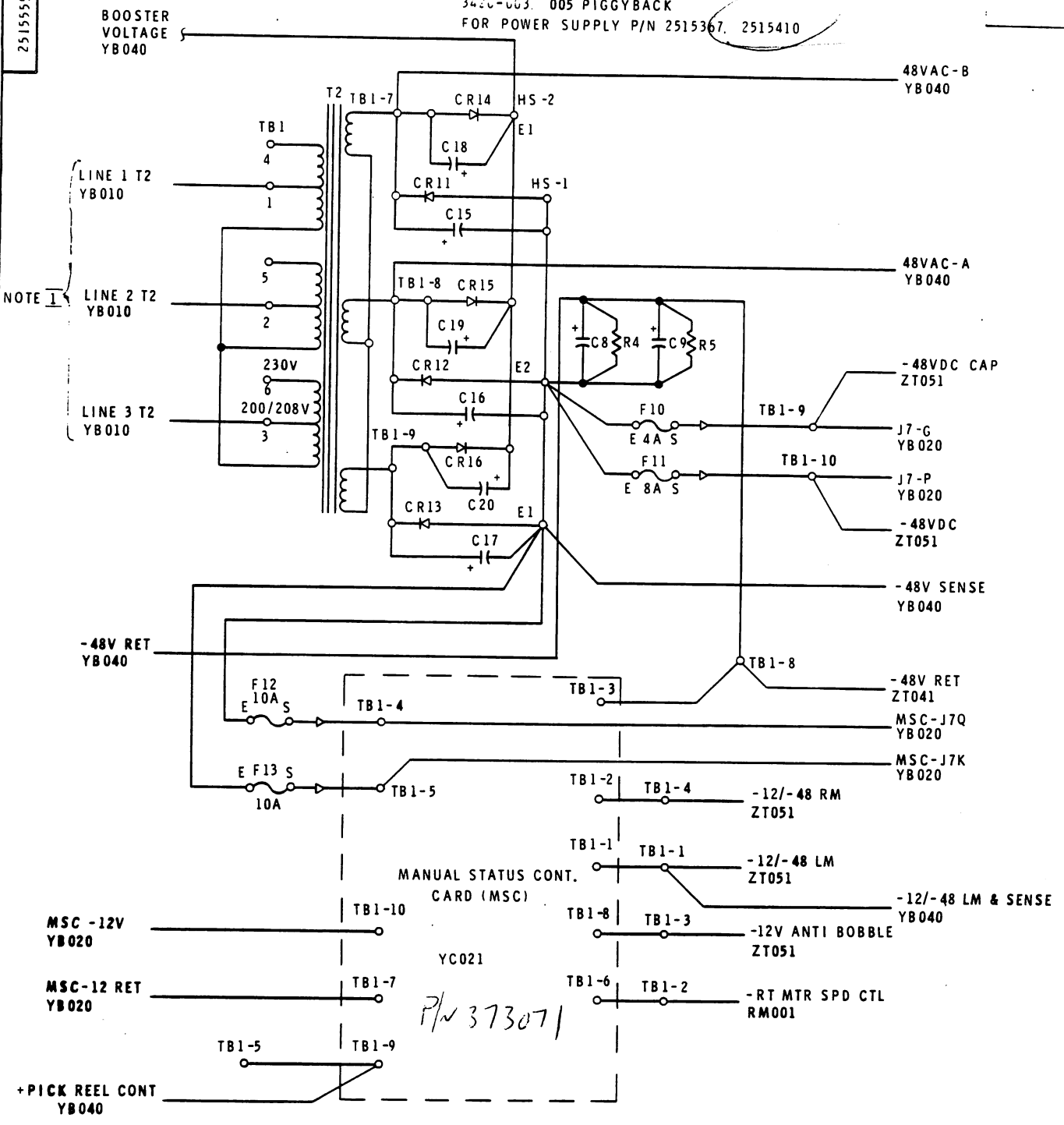
930-0134-008  
2522840

2515555

48V SUPPLY 60HZ  
 342C-003. 005 PIGGYBACK  
 FOR POWER SUPPLY P/N 2515367, 2515410

2515555

YB030



NOTE 1

LOGIC SHOWS CONNECTION FOR 200 OR 208 VOLT OPERATION SEE TABLE FOR 230 VOLT OPERATION

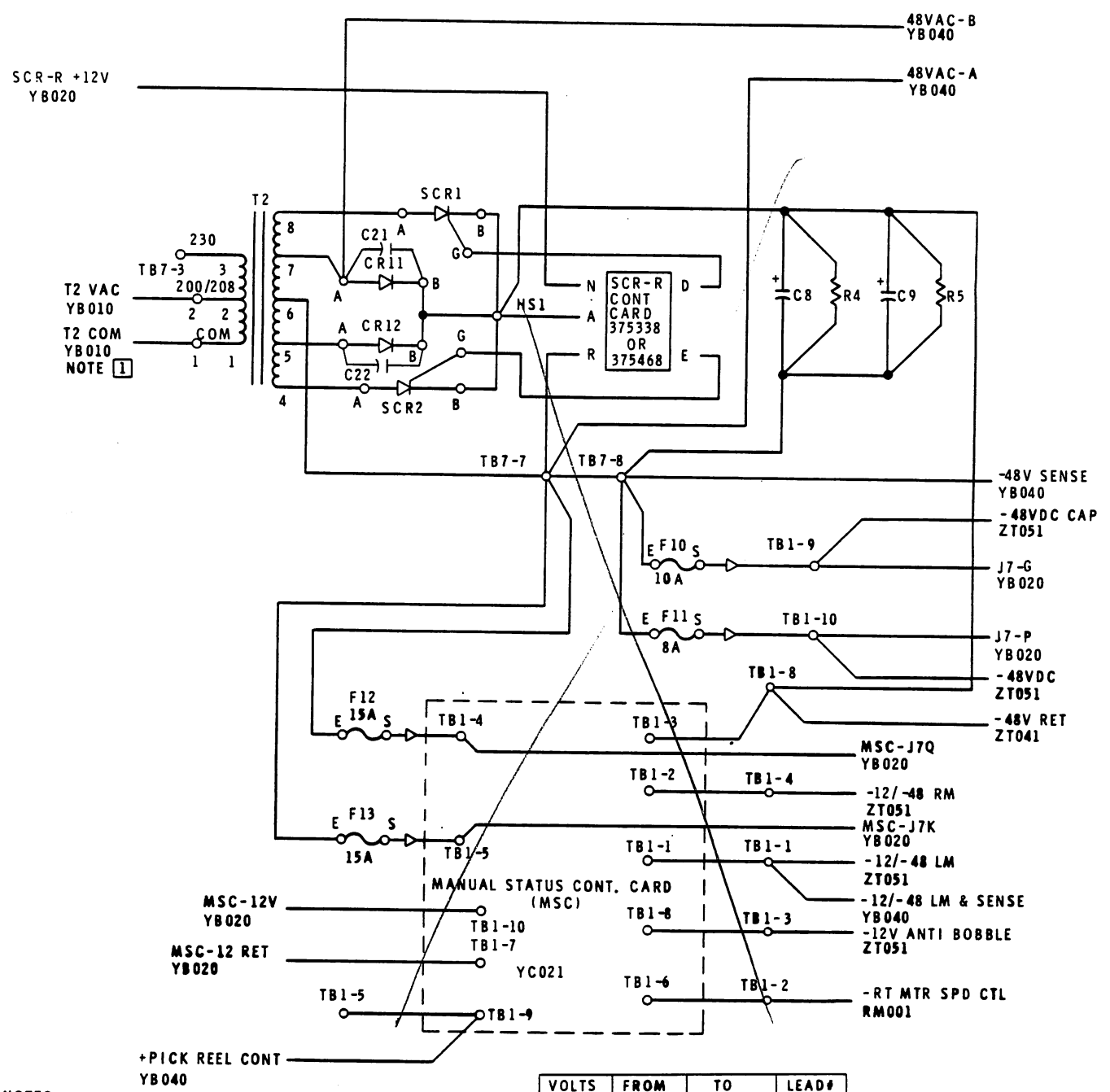
FROM	TO-T2
TB4-3	TB1-6
TB4-4	TB1-4
TB4-5	TB1-5

This document is the property of IBM. Its use is authorized only for responding to a request for quotation or for the performance of work for IBM. All questions must be referred to the IBM Purchasing Department.

NAME		DATE	CHANGE NO.	DATE	CHANGE NO.	NOTE	DEVELOPMENT NO.
SYSTEMS DIAGRAM		10SEP71	733706B	22MAY80	846320		
48V 60HZ		9NOV71	733706				
DESIGN	ECH 16JUL71	14FEB72	734230				
DETAIL	LD 10SEP71	5JUL72	734262				
CHECK		18AUG72	734261				
APPRO	N-JM 18AUG72						YB030

2515559

48V SUPPLY 60HZ  
 3420-3-5-7 PIGGYBACK  
 FOR SUPPLY PART NUMBERS 2515413, 2515421

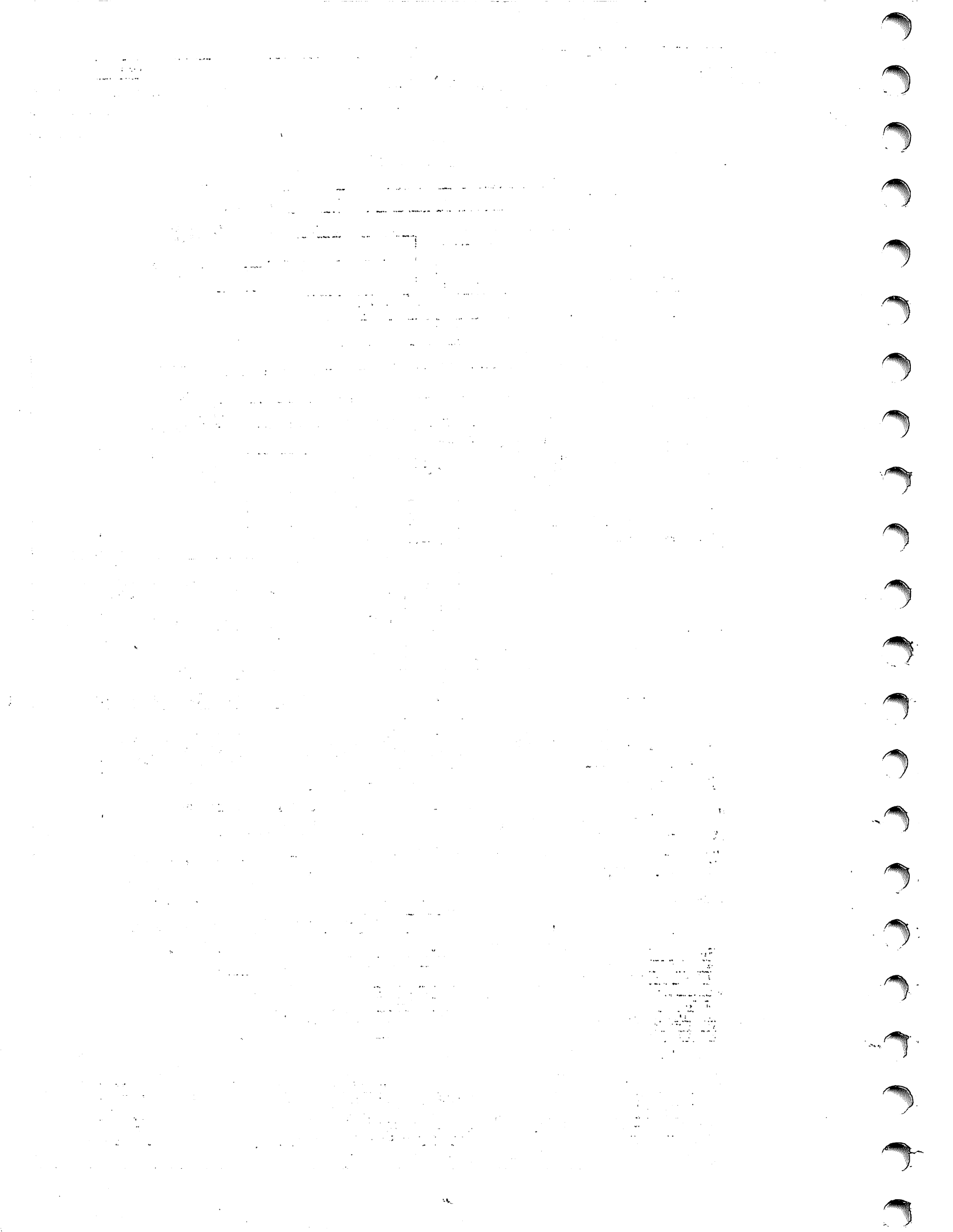


NOTES  
 1 LOGIC SHOWS CONNECTION FOR 200, 208, SEE TABLE FOR 230 VOLT CONNECTION

VOLTS	FROM	TO	LEAD#
230	TB4-5	T2-TB7-3	8

This document is the property of IBM. Its use is authorized only for responding to a request for quotation or for the performance of work for IBM. All questions must be referred to the IBM Purchasing Department.

NAME		DATE	CHANGE NO.	DATE	CHANGE NO.	NOTE	DEVELOPMENT NO.
SYSTEMS DIAGRAM		10SEP71	733706B	12NOV73	73495B	X PRINT TO ENG. SPEC. NO.	2515559
48V 60HZ		9NOV71	733706	22MAY80	846320		
DESIGN ECH	16JUL71	14FEB72	734230				
DETAIL LD	10SEP71	13AUG72	734269				
CHECK		17DEC72	734483				
APPRO N-VF	30NOV72						YB030

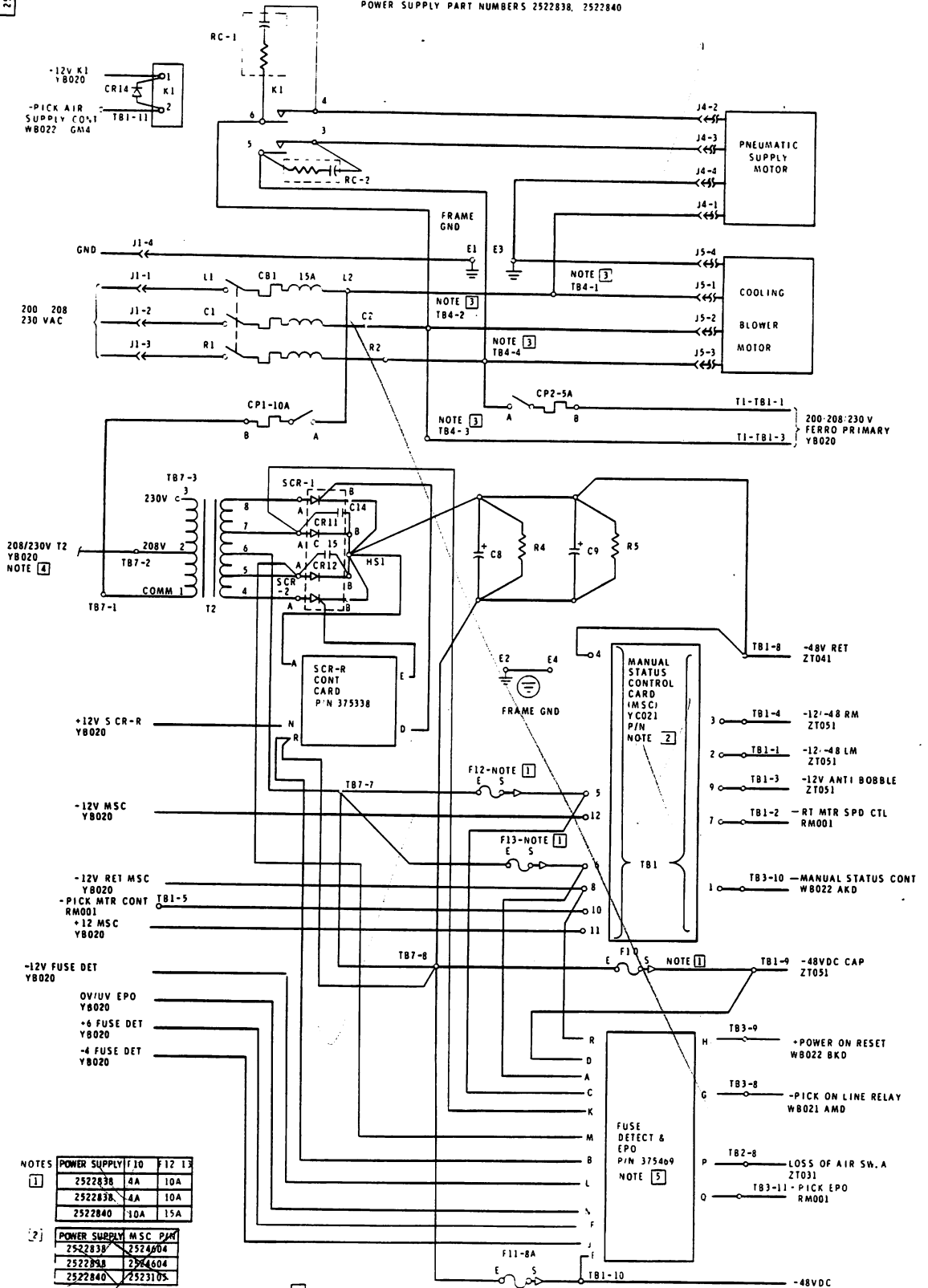


2523060

This document is the property of IBM. Its use is authorized only for responding to a request for quotation or for the performance of work for IBM. All questions must be referred to the IBM Purchasing Department.

### AC DISTRIBUTION AND 48V SUP 60HZ 3420 MOD 3-5-7 POWER SUPPLY PART NUMBERS 2522838, 2522840

Y8030



NOTES

POWER SUPPLY	F10	F12	F13
2522838	4A	10A	
2522838	4A	10A	
2522840	10A	15A	

POWER SUPPLY	MSC	P/M
2522838	2524604	
2522838	2524604	
2522840	2523105	

[3] LATER PRODUCTION 60HZ MACHINES WILL NOT HAVE TB4 DUE TO REPLACEMENT OF CABLES PART NUMBER 2504124 AND 2504125 WITH PART NUMBER 2521569 ON E.C. 733698

[5] PRIOR TO EC 846412 CARD PART NUMBER 375451 WAS USED

[4]

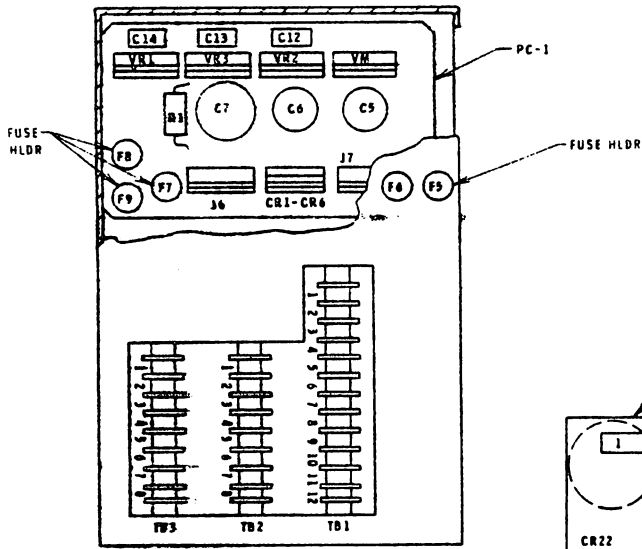
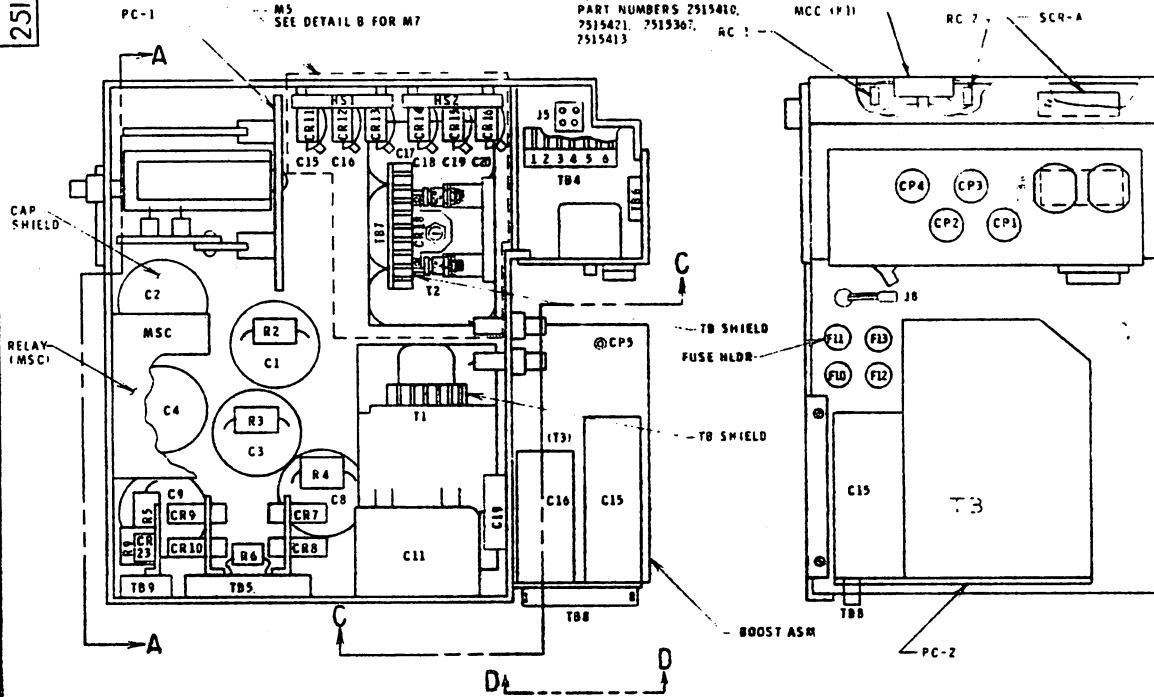
FOR LINE VOLTAGE	LEAD 13 FROM T2	TO T1 Y8020
200	TB1-2	TB1-3
208	TB1-2	TB1-3
230	TB7-3	TB1-4

NAME	DRIVE AC AND -48 60HZ	SEE E.C. 734284
DESIGN	E.C.H.	18DEC72 734504
DETAIL	T.K.C. 7JAN71	23FEB74 736816
CHECK		9APR79 846412
APPROV	JN-DJ 17JUN72	22MAY80 846320

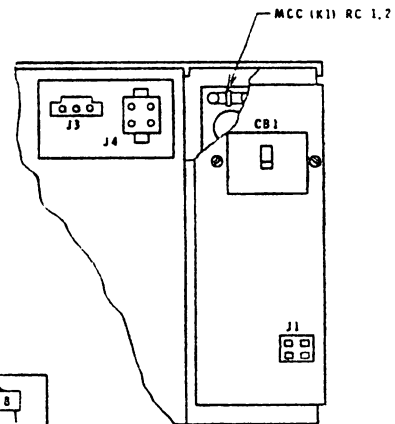
30-0151-008  
2523060  
Y8030

1420 NO. 005. 007 PIGGYBACK COMPONENT CHART  
 60HZ  
 FOR POWER SUPPLY  
 PART NUMBERS 2515410,  
 2515421, 2515367,  
 2515413

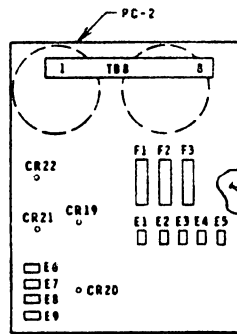
SHEET 1 OF 2



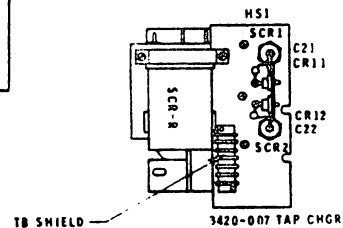
SECTION A-A



VIEW C-C



VIEW D-D  
SCALE NONE



DETAIL B

- NOTES
- 1
  - 2 NON-PCB
  - 3
  - 4 USED WITH POWER SUPPLY PART NUMBER 2515410 OR 2515367
  - 5 USED WITH POWER SUPPLY PART NUMBER 2515413 OR 2515421
  - 6 PART NUMBER 5796393 MAY BE PRESENT ON SOME MACHINES
  - 7 PART NUMBER 5796429 MAY BE PRESENT ON SOME MACHINES

"THIS DOCUMENT IS THE PROPERTY OF IBM. ITS USE IS AUTHORIZED ONLY FOR RESPONDING TO A REQUEST FOR QUOTATION OR FOR THE PERFORMANCE OF WORK FOR IBM. ALL QUESTIONS MUST BE REFERRED TO THE IBM PURCHASING DEPARTMENT."

IBM		DATE	CHANGE NO	DATE	CHANGE NO
NAME	SYSTEM COMPONENT CHART	SEE EC	NI510QY	22MAY80	846320
	60HZ	23FEB74	736636		
DESIGN	ECM	19JUN74	736633A		
DETAIL	LD	17DEC76	449059		
CHECK	REM	10NOV71			
APPRO	J'YM	25JUL72	A-VF	YB050	

D  
2515574

PART NO  
2515574

LOGIC PG NO  
YB050

3420-002, 005, 007 PIGGYBACK  
COMPONENT CHART  
60 HZ

SHEET 2 OF 2

NOTE	PART NO.	SYMBOL	DESCRIPTION
	5261825	C1, C2, C3, C4	70 000uf 13V CAPACITOR
	208238	C5, C6	10 000uf 33V CAPACITOR
	5266023	C7	10,000uf 55V CAPACITOR
	5214233	C8, C9	20,000uf 75V CAPACITOR
4	2515463	C15-C20	.85 MFD CAP
	369849	C12, C13, C14	CAP. 50 MFD AT 50VDC
	5252817	C11 NOTE [2]	30 MFD 330 VAC CAP.
6	5796393	C15	120K MFD 15VDC
7	5796429	C16	93K MFD 15VDC
5	5252810	C19 NOTE [E]	FERRD CAP. 10 MFD 330VAC
5	2524653	C21, C22	.15 MFD 500 OVDC
	2524683	RC1, 2	RC ASM 107A- 22uf
	359959	R1	1.5K 5W RES
	501565	R2, R3	500 10W RES ASM
	5761896	R4, R5	900 20W RES ASM
	2513470	R6	2W 200  RES ASM
	472588	R9	10 25W RES
4	127324	CR10	30 AMP DIODE
	375332	CR1 THRU CR6	2 AMP DIODE CARD ASM
	598353	CR7, CR8, CR23	10 AMP DIODE
	598355	CR9, CR10	10 AMP DIODE
4	599258	CR11, CR12, CR13	30 AMP DIODE
5	127324	CR11, CR12	30 AMP DIODE
4	127324	CR14, CR15, CR16	30 AMP DIODE
	2392039	CR19-CR22 (PC-2)	20 AMP DIODE
	2524619	SCRA	SOL CONT RELAY ASM
5	375460	SCR-R	SCR REG CARD
5	5213483	SCR1, 2	50 AMP CONTROL RECT
4	5215483	SCR3, SCR4	CONT RECT 50 AMP
4	373071	MSC	MANUAL STATUS CONT CARD
5	373074	MSC	MAN. STATUS CONTROL
	2513449	FUSE HOLDER	USE WITH F10 THRU F13 REF
	2513451	FUSE HOLDER	USE WITH F5 THRU F8 REF
	5786928	FUSE HOLDER	USE WITH F9 REF
	2515490	BOOST ASSEMBLY	COMPLETE ASSEMBLY
	5318960	RELAY (MSC)	MSC RELAY 4PDT

NOTE	PART NO.	SYMBOL	DESCRIPTION
	309091	MCC R1	PNEU MTR RELAY ASM
	375386	VR2	REG CARD (12V)
	375387	VR3	REG CARD (30V)
	375386	VR1	REG CARD (12V)
	375336	VM	VOLTAGE MONITOR CARD ASM
	9719454	CB1	15 AMP CIRCUIT BRKR
	303079	F1, F3	FAST BLOW 6 AMP
	596676	F2, F6	15 AMP FUSE MED TIME LAG
	859291	F7, F8	2 AMP FUSE INSTANTANEOUS
	111299	F9	.75 AMP FUSE INSTANTANEOUS
6	1103492	F10	4 AMP FUSE LONG TIME LAG
5	511063	F10	10 AMP FUSE MED LAG
	439397	F9, F11	8 AMP FUSE MEDIUM TIME LAG
8	511063	F12, F13	10 AMP FUSE MEDIUM TIME LAG
9	596676	F12, F13	15 AMP FUSE MEDIUM TIME LAG
4	2229942	CP1, CP2	7 AMP CIRCUIT PROT
5	2210909	CP1	10 AMP CIRCUIT PROT
	2513475	CP3, CP5	3 AMP CIRCUIT PROT
	2513489	CP4	0.5 AMP CIRCUIT PROT
	2513459	T1	TRANS FERRO
4	2513490	T2	TRANS 30
5	2515466	T2 AND TAP ENGR	TAP CHGR ASM
	2515924	T3	FERRO TRANSFORMER
5	2515465	T2	TRANS 45V
	2513429	PC-2	CARD ASSEMBLY RECTIFIER
	2513429	PC-1	REGULATOR VOLT BOARD
	1160977	J8	BOOST INNER ATTACH
	2523072	J1	INPUT POWER
	1160116	J3	CHAN AIR SOL
	2501405	J4	PNEU SUP MOTOR
	2501405	J5	COOL BLOW
	2195290	J1	CLIP
	933362	T8 SHIELD	USE WITH T1 REF (5 POS)
4	352890	T8 SHIELD	USE WITH T2 REF (9 POS)
5	350977	T8 SHIELD	USE WITH T2 REF (8 POS)
	631769	CAP SHIELD	USE WITH C1-4, C8, C9 REF
	2524652	BOOST SHIELD	USE WITH BOOST ASM REF

"THIS DOCUMENT IS THE PROPERTY OF IBM. ITS USE IS AUTHORIZED ONLY FOR RESPONDING TO A REQUEST FOR QUOTATIONS OR FOR THE PERFORMANCE OF WORK FOR IBM. ALL QUESTIONS MUST BE REFERRED TO THE IBM PURCHASING DEPARTMENT."

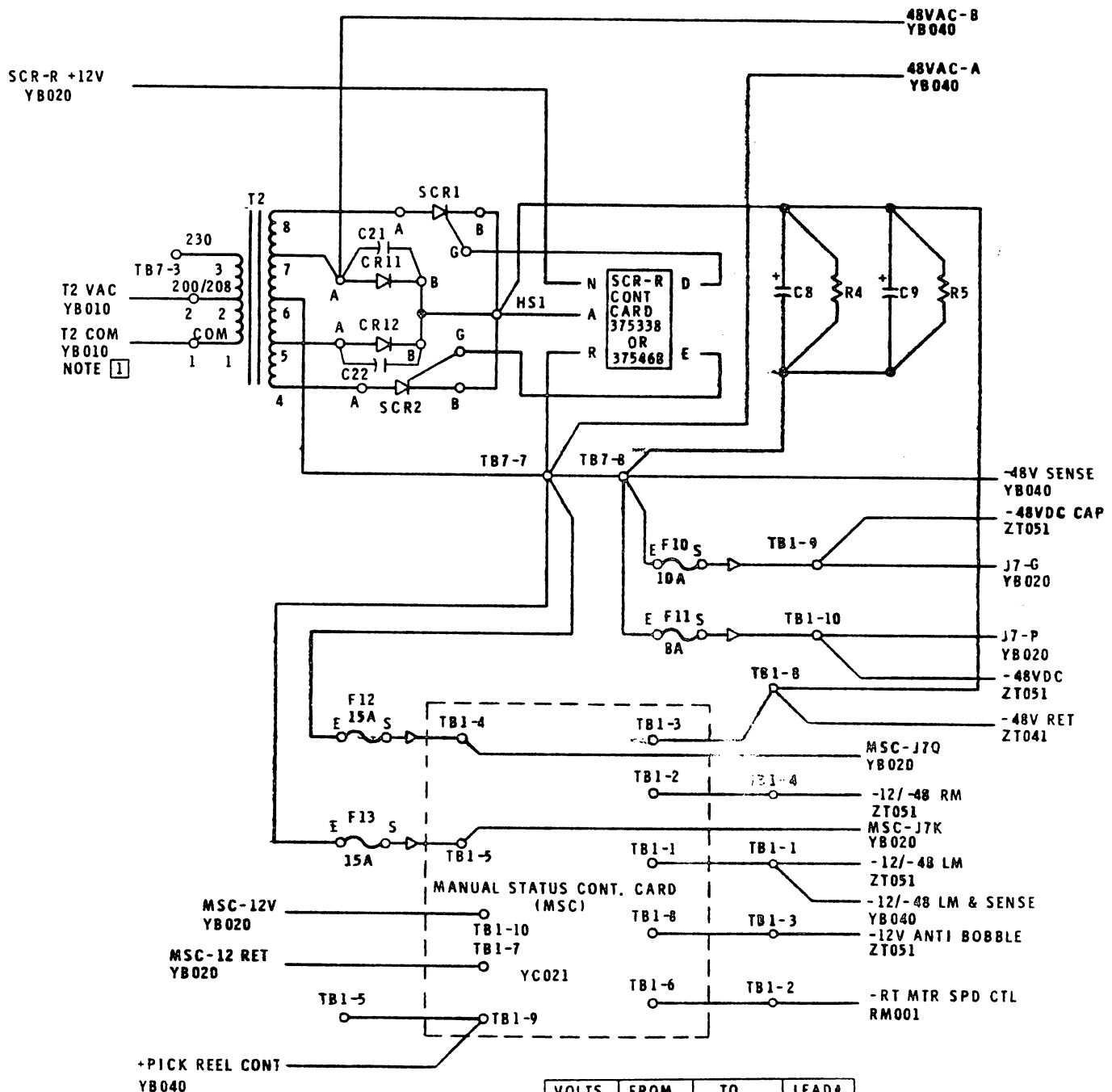
IBM		DATE	CHANGE NO	DATE	CHANGE NO
NAME	SYSTEM COMPONENT CHART	SEE EC	HISTORY	22MAY80	846320
	60HZ	23FEB78	736816		
DESIGN		19JUN78	736883A		
DETAIL		17DEC76	449059		

2515574

2515559

2515559 YB030

48V SUPPLY 60HZ  
3420-3-5-7 PIGGYBACK  
FOR SUPPLY PART NUMBERS 2515413, 2515421



NOTES  
1 LOGIC SHOWS CONNECTION FOR 200.  
208, SEE TABLE FOR 230 VOLT CONNECTION

VOLTS	FROM	TO	LEAD#
230	TB4-5	T2-TB7-3	8

This document is the property of IBM. Its use is authorized only for responding to a request for assistance for the performance of work for IBM. All questions must be referred to the IBM Purchasing Department.

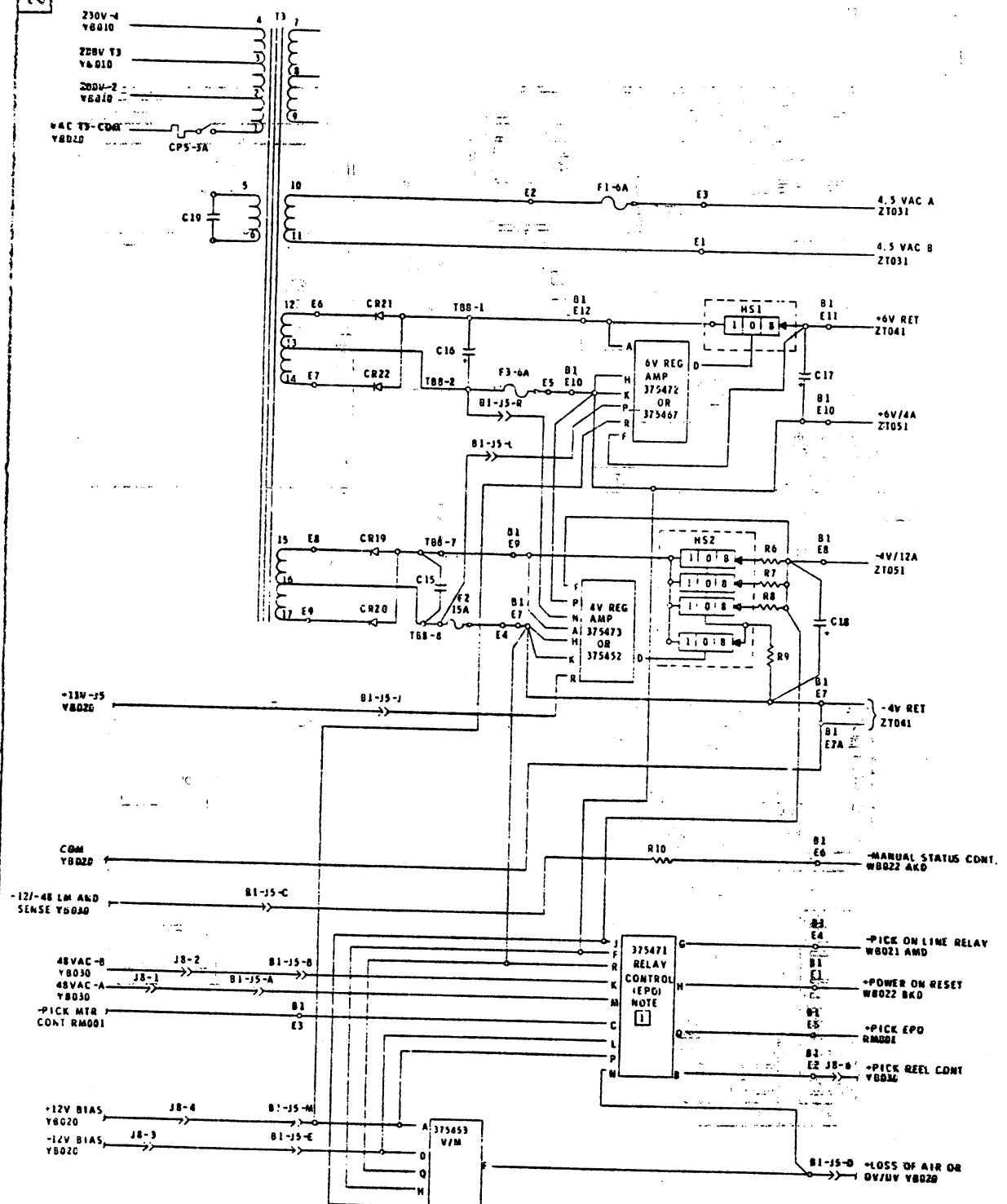
IBM		DATE	CHANGE NO.	DATE	CHANGE NO.	NOTE	DEVELOPMENT NO.
NAME	SYSTEMS DIAGRAM	10SEP71	733706B	12NOV73	734958	X PRINT TO ENG. SPEC. NO.	2515559
	48V 60HZ	9NOV71	733706	22MAY80	846320		
DESIGN	ECH 16JUL71	14FEB72	734230				
DETAIL	L.D 10SEP71	13AUG72	734269				
CHECK		17DEC72	734483				
APPRO	N-V EONOV72						YB030

626-0021

2515556

PART NO 2515556 LOGIC PG NO Y8040

DC AND BOOSTER SUPPLY 60 HZ  
3420-603-003-007 PIGGY BACK  
FOR POWER SUPPLY  
PART NUMBER 2515413, 2515421



NOTE  
PRIOR TO EC 846624 CARD  
PART NUMBER 375454 WAS  
USED

THIS DOCUMENT IS THE PROPERTY OF IBM. ITS USE IS AUTHORIZED ONLY FOR  
AS SHOWN IN A REQUEST FOR INFORMATION OR FOR THE PERFORMANCE OF WORK  
FOR IBM. ALL QUESTIONS MUST BE REFERRED TO THE IBM PURCHASING DEPARTMENT.

NAME		DATE	CHANGE NO	DATE	CHANGE NO
3420		SEE E C HISTORY			
DESIGN	ECH	26MAY80	840320		
DL FAIL	LD	31AUG82	847189		
CHECK	WEN				

2515556



[The page contains extremely faint and illegible text, likely a scan of a document with low contrast or significant noise. The text is organized into several columns and paragraphs, but the individual characters and words are not discernible.]



NOTES

- 1 50HZ
- 2 LATER PRODUCTION 60HZ MACHINES WILL NOT HAVE 184 DUE TO REPLACEMENT OF CABLES PART NUMBER 2504124 AND 2504125 WITH PART NUMBER 2521569 ON ENGINEERING CHANGE 733698
- 3 IMPROVED REPLACEMENT FOR PART NUMBER 2521564
- 4 DIRECT REPLACEMENT FOR PART NUMBER 375342 AND 375467
- 5 POWER SUPPLY PART NUMBER 2522839 AND 2522840 USES PART NUMBER 375478 AND POWER SUPPLY PART NUMBER 2522837 AND 2522838 PRIOR TO ENGINEERING CHANGE 7345061 MAY USE PART NUMBERS 375464 OR 375347
- 6 DIRECT REPLACEMENT FOR PART NUMBER 375452
- 7 MACHINES BUILT PRIOR TO ENGINEERING CHANGE 734284 10 AMP DIODE PART NUMBER 598355 - MACHINES BUILT AFTER ENGINEERING CHANGE 734284 USE 30 AMP DIODE PART NUMBER 595258
- 8 POWER SUPPLY ASSEMBLIES: 2522838 MODELS 3 AND 5/60HZ, 2522837 MODELS 3 AND 5/50HZ, 2522840 MODEL 7/60HZ, 2522839 MODEL 7/50HZ
- 9 PART NUMBERS ARE FOR COMPLETE ASSEMBLY REPLACEMENT
- 10 IMPROVED REPLACEMENT FOR PART NUMBER 375338
- 11 NON-PCB
- 12 PART NUMBER 5252842 IS NON-PCB
- 13 T1 AND C11 PRIOR TO ENGINEERING CHANGE 734538 WERE PART NUMBER 2523076 AND 524854 (NON-PCB PART NUMBER 5252815) RESPECTIVELY AND MUST BE USED TOGETHER
- 14 FOR SUPPLY PART NUMBER 2522837
- 15 FOR SUPPLY PART NUMBER 2522838
- 16 FOR SUPPLY PART NUMBER 2522839
- 17 FOR SUPPLY PART NUMBER 2522840
- 18 PRIOR TO ENGINEERING CHANGE 846412 CARD PART NUMBER 375451 WAS USED
- 19 PART NUMBER 5796393 MAY BE PRESENT ON SOME MACHINES
- 20 PART NUMBER 5796429 MAY BE PRESENT ON SOME MACHINES

2523074	NOTE 9	T1	50HZ
2523075	NOTE 9	T2	50HZ
2519456	NOTE 9	T2	50HZ
2515446	NOTE 9	T2	60HZ

NOTE 10	375468	SCR-R
NOTE 14 15	2524604	MSC
NOTE 16 17	2523105	MSC

PART NO.	SYMBOL	DESCRIPTION
2524683	R-C 1, 2	RESISTOR-CAPACITOR -47.5, 22uF-
1143492	F10 NOTE 14 15	4 AMP FUSE LONG TIME LAG
511063	F10 NOTE 16 17	10 AMP FUSE MED TIME LAG
596676	F6, F15	15 AMP FUSE MED TIME LAG
433557	F5, F11	8 AMP FUSE MED TIME LAG
303679	F7, F14	6 AMP FUSE INSTANTANEOUS
511063	F12, F13 NOTE 14 15	10 AMP FUSE MED TIME LAG
596676	F12, F12 NOTE 16 17	15 AMP FUSE MED TIME LAG
4116985	CB1 50HZ	16 AMP CIRCUIT BRKR
5719454	CB1 60HZ	15 AMP CIRCUIT BRKR
2218599	CP1	10 AMP CIRCUIT PROT
5180419	CP2	5 AMP CIRCUIT PROT
2513489	CP3	0.5 AMP CIRCUIT PROT
2513475	CP4 ONLY 50HZ	3 AMP CIRCUIT PROT
317006	R1	200n .5W RESISTOR
501565	R3	50n 10W WFS ASM
5761896	R4, R5	300n 70W RES ASM
2513470	R6	200n 70W RES ASM
472588	R7	15n 25W
8493424	C1, C2, C4 19	120.00uF 15V CAP
208222	C5, C6	5.00uF 55V CAP
8493425	C7	93.00uF 15V CAP
5214733	C8, C9	20.00uF .5V CAP
5252819	C11 50HZ NOTE 11	40MFD 330 VAC CAP
5252842	C11 60HZ NOTE 12 13	10uF 600VAC CAP
494566	C12, C13	100uF 10V CAP
2524653	C14, C15 NOTE 13	CAP ASM 1.051, 2716, 10x2.54, PARALLEL
5213483	SCR1, SCR2	50A SEMICONDUCTOR COMPT RECT
598355	CR1, CR2, CR13	10 AMP DIODE
598355	CR3, CR4, CR7, CR8	10 AMP DIODE
5323537	CR5, CR6	2 AMP DIODE
127324	CR11, CR12	30 AMP DIODE
2523077	T1 50HZ	TRANS FERRO
1766237	T1 60HZ NOTE 13	TRANS FERRO
2523079	T2 50HZ	TRANS NOTE 14
2523075	T2 60HZ	TRANS NOTE 15
4119228	T2 50HZ	TRANS NOTE 16
2515446	T2 60HZ	TRANS NOTE 17
2192539	J1	CLIP
2523072	J1	CONN MALE
1166116	J3	CONN 3 PIN
2501405	J4, J5	CONN 4 PIN
375469	FUSE DETECT	FUSE DETECT AND EPO NOTE 18
375468	SCR-R	SCR REGULATOR CARD
2524604	MSC	MANUAL STATUS CONT CARD
2523105	MSC	MANUAL STATUS CONT CARD
2524619	SCRA	PNEU SOL CONT RELAY ASM
375473	VR2 NOTE 6	4V REG CARD
375472	VR1 NOTE 4	6V REG CARD
375478	UV/OV NOTE 5	UV/OV OUTPUT CARD
375348	VM	UV/OV VOLTAGE MON
375345	REF VOLT	UV/OV REF VOLT
2523090	INTERFACE BD	INTERFACE BOARD
589091	K1	RELAY
2160917	CR14	AM DIODE ASM
595258	CR9, CR10 NOTE 7	30 AMP DIODE
1767846	RECT ASM	COMPLETE ASM
2513449	FUSE HLDR	USE WITH F10, F11, F12, F13 REF
2513451	FUSE HLDR	USE WITH F5, F6 REF
2523099	FUSE HLDR	USE WITH F7 REF
2523063	FUSE HLDR	USE WITH F14, F15 REF
631769	CAP SHIELD	USE WITH C1, C2, C4, C7, C8, C9 REF
533362	TB SHIELD	USE WITH TB1 REF 15 POS1
350977	TB SHIELD	USE WITH TB7 REF 18 POS1
5214702	RELAY (MSC)	MSC RELAY (K2) 4PDT, 5A, 12VDC
2523103	DIODE ASM	COMPLETE ASM

"THIS DOCUMENT IS THE PROPERTY OF IBM. ITS USE IS AUTHORIZED ONLY FOR RESPONDING TO A REQUEST FOR QUOTATION OR FOR THE PERFORMANCE OF WORK FOR IBM. ALL QUESTIONS MUST BE REFERRED TO THE IBM PURCHASING DEPARTMENT."

IBM		DATE	CHANGE NO	DATE	CHANGE NO
NAME	SYS COMP CHART 50HZ-60HZ MOD 3, 5, AND 7	SEE E C HISTORY		17DEC76	449099
DESIGN	ECH 09SEP70 SHY 2 OF 2	8NOV73	734538	22MAY80	846320
DETAIL	VIG 11MAR71	23FEB74	736816		
CHECK		19JUN74	736683A		
APPRO	N-DJ 20JUN72	MUST CONFORM TO ENG SPEC		DEVELOPMENT NO	
				LOGIC PG NO	
				Y8036	

1984

1985

1986

1987

1988

1989

1990

1991

1992

1993

1994

1995

1996

1997

1998

1999

2000

2001

2002

2003

2004

2005

2006

2007

2008

2009

2010

2011

2012

2013

2014

2015

2016

2017

2018

2019

2020

2021

2022

2023

2024

2025

2026

2027

2028

2029

2030

2031

2032

2033

2034

2035

2036

2037

2038

2039

2040

2041

2042

2043

2044

2045

2046

2047

2048

2049

2050

2051

2052

2053

2054

2055

2056

2057

2058

2059

2060

2061

2062

2063

2064

2065

2066

2067

2068

2069

2070

2071

2072

2073

2074

2075

2076

2077

2078

2079

2080

2081

2082

2083

2084

2085

2086

2087

2088

2089

2090

2091

2092

2093

2094

2095

2096

2097

2098

2099

2100

2101

2102

2103

2104

2105

2106

2107

2108

2109

2110

2111

2112

2113

2114

2115

2116

2117

2118

2119

2120

2121

2122

2123

2124

2125

2126

2127

2128

2129

2130

2131

2132

2133

2134

2135

2136

2137

2138

2139

2140

2141

2142

2143

2144

2145

2146

2147

2148

2149

2150

2151

2152

2153

2154

2155

2156

2157

2158

2159

2160

2161

2162

2163

2164

2165

2166

2167

2168

2169

2170

2171

2172

2173

2174

2175

2176

2177

2178

2179

2180

2181

2182

2183

2184

2185

2186

2187

2188

2189

2190

2191

2192

2193

2194

2195

2196

2197

2198

2199

2200

2201

2202

2203

2204

2205

2206

2207

2208

2209

2210

2211

2212

2213

2214

2215

2216

2217

2218

2219

2220

2221

2222

2223

2224

2225

2226

2227

2228

2229

2230

2231

2232

2233

2234

2235

2236

2237

2238

2239

2240

2241

2242

2243

2244

2245

2246

2247

2248

2249

2250

2251

2252

2253

2254

2255

2256

2257

2258

2259

2260

2261

2262

2263

2264

2265

2266

2267

2268

2269

2270

2271

2272

2273

2274

2275

2276

2277

2278

2279

2280

2281

2282

2283

2284

2285

2286

2287

2288

2289

2290

2291

2292

2293

2294

2295

2296

2297

2298

2299

2300

2301

2302

2303

2304

2305

2306

2307

2308

2309

2310

2311

2312

2313

2314

2315

2316

2317

2318

2319

2320

2321

2322

2323

2324

2325

2326

2327

2328

2329

2330

2331

2332

2333

2334

2335

2336

2337

2338

2339

2340

2341

2342

2343

2344

2345

2346

2347

2348

2349

2350

2351

2352

2353

2354

2355

2356

2357

2358

2359

2360

2361

2362

2363

2364

2365

2366

2367

2368

2369

2370

2371

2372

2373

2374

2375

2376

2377

2378

2379

2380

2381

2382

2383

2384

2385

2386

2387

2388

2389

2390

2391

2392

2393

2394

2395

2396

2397

2398

2399

2400

2401

2402

2403

2404

2405

2406

2407

2408

2409

2410

2411

2412

2413

2414

2415

2416

2417

2418

2419

2420

2421

2422

2423

2424

2425

2426

2427

2428

2429

2430

2431

2432

2433

2434

2435

2436

2437

2438

2439

2440

2441

2442

2443

2444

2445

2446

2447

2448

2449

2450

2451

2452

2453

2454

2455

2456

2457

2458

2459

2460

2461

2462

2463

2464

2465

2466

2467

2468

2469

2470

2471

2472

2473

2474

2475

2476

2477

2478

2479

2480

2481

2482

2483

2484

2485

2486

2487

2488

2489

2490

2491

2492

2493

2494

2495

2496

2497

2498

2499

2500

2501

2502

2503

2504

2505

2506

2507

2508

2509

2510

2511

2512

2513

2514

2515

2516

2517

2518

2519

2520

2521

2522

2523

2524

2525

2526

2527

2528

2529

2530

2531

2532

2533

2534

2535

2536

2537

2538

2539

2540

2541

2542

2543

2544

2545

2546

2547

2548

2549

2550

2551

2552

2553

2554

2555

2556

2557

2558

2559

2560

2561

2562

2563

2564

2565

2566

2567

2568

2569

2570

2571

2572

2573

2574

2575

2576

2577

2578

2579

2580

2581

2582

2583

2584

2585

2586

2587

2588

2589

2590

2591

2592

2593

2594

2595

2596

2597

2598

2599

2600

2601

2602

2603

2604

2605

2606

2607

2608

2609

2610

2611

2612

2613

2614

2615

2616

2617

2618

2619

2620

2621

2622

2623

2624

2625

2626

2627

2628

2629

2630

2631

2632

2633

2634

2635

2636

2637

2638

2639

2640

2641

2642

2643

2644

2645

2646

2647

2648

2649

2650

2651

2652

2653

2654

2655

2656

2657

2658

2659

2660

2661

2662

2663

2664

2665

2666

2667

2668

2669

2670

2671

2672

2673

2674

2675

2676

2677

2678

2679

2680

2681

2682

2683

2684

2685

2686

2687

2688

2689

2690

2691

2692

2693

2694

2695

2696

2697

2698

2699

2700

2701

2702

2703

2704

2705

2706

2707

2708

2709

2710

2711

2712

2713

2714

2715

2716

2717

2718

2719

2720

2721

2722

2723

2724

2725

2726

2727

2728

2729

2730

2731

2732

2733

2734

2735

2736

2737

2738

2739

2740

2741

2742

2743

2744

2745

2746

2747

2748

2749

2750

2751

2752

2753

2754

2755

2756

2757

2758

2759

2760

2761

2762

2763

2764

2765

2766

2767

2768

2769

2770

2771

2772

2773

2774

2775

2776

2777

2778

2779

2780

2781

2782

2783

2784

2785

2786

2787

2788

2789

2790

2791

2792

2793

2794

2795

2796

2797

2798

2799

2800

2801

2802

2803

2804

2805

2806

2807

2808

2809

2810

2811

2812

2813

2814

2815

2816

2817

2818

2819

2820

2821

2822

2823

2824

2825

2826

2827

2828

2829

2830

2831

2832

2833

2834

2835

2836

2837

2838

2839

2840

2841

2842

2843

2844

2845

2846

2847

2848

2849

2850

2851

2852

2853

2854

2855

2856

2857

2858

2859

2860

2861

2862

2863

2864

2865

2866

2867

2868

2869

2870

2871

2872

2873

2874

2875

2876

2877

2878

2879

2880

2881

2882

2883

2884

2885

2886

2887

2888

2889

2890

2891

2892

2893

2894

2895

2896

2897

2898

2899

2900

2901

2902

2903

2904

2905

2906

2907

2908

2909

2910

2911

2912

2913

2914

2915

2916

2917

2918

2919

2920

2921

2922

2923

2924

2925

2926

2927

2928

2929

2930

2931

2932

2933

2934

2935

2936

2937

2938

2939

2940

2941

2942

2943

2944

2945

2946

2947

2948

2949

2950

2951

2952

2953

2954

2955

2956

2957

2958

2959

2960

2961

2962

2963

2964

2965

2966

2967

2968

2969

2970

2971

2972

2973

2974

2975

2976

2977

2978

2979

2980

2981

2982

2983

2984

2985

2986

2987

2988

2989

2990

2991

2992

2993

2994

2995

2996

2997

2998

2999

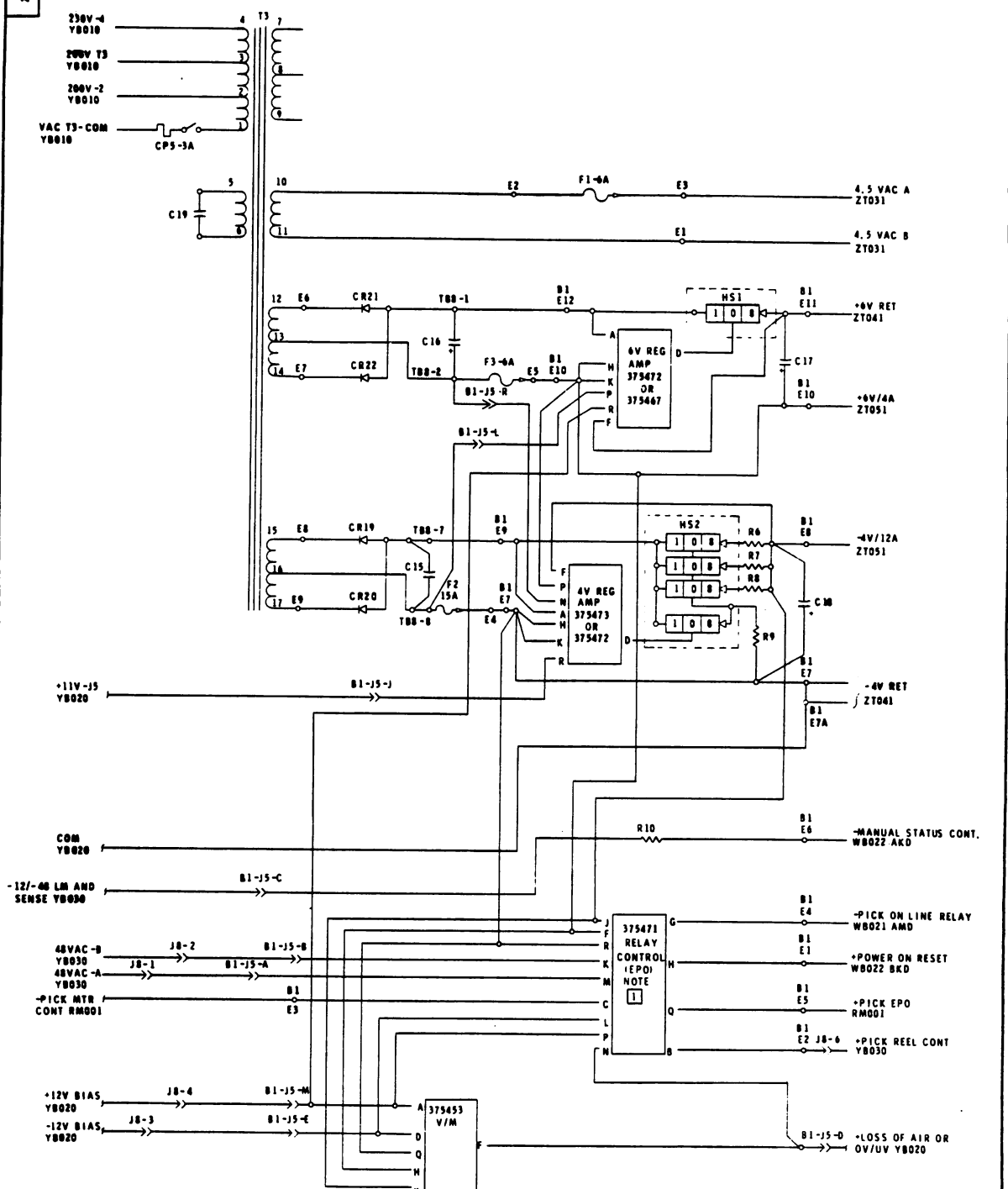
3000



D  
2515556

PART NO  
2515556  
LOGIC PG NO  
YB040

DC AND BOOSTER SUPPLY 40 HZ  
8000-003-005-007 PIGGY BACK  
FOR POWER SUPPLY  
PART NUMBER 2515421, 2515421



NOTE  
1 PRIOR TO EC 846624 CARD  
PART NUMBER 375454 WAS  
USED

"THIS DOCUMENT IS THE PROPERTY OF IBM. ITS USE IS AUTHORIZED ONLY FOR  
RESPONDING TO A REQUEST FOR QUOTATION OR FOR THE PERFORMANCE OF WORK  
FOR IBM. ALL QUESTIONS MUST BE REFERRED TO THE IBM PURCHASING DEPARTMENT."

IBM		DATE	CHANGE NO	DATE	CHANGE NO
NAME	-3420	9NOV71	733706	22AUG72	734261
	40 HZ	14FEB72	734230	17OCT72	734483
DESIGN	ECH	22MAR72	734232	25MAY79	846624
DETAIL	LD 9NOV71	5JUL72	734262	22MAY80	846320
CHECK	REM 8 NOV 71	CLASSIFICATION	MUST CONFORM TO ENG SPEC	DEVELOPMENT NO	LOGIC PG NO
APPRO	8-JWB 7AUG72	R-V-C	200872		YB040

2515556  
D

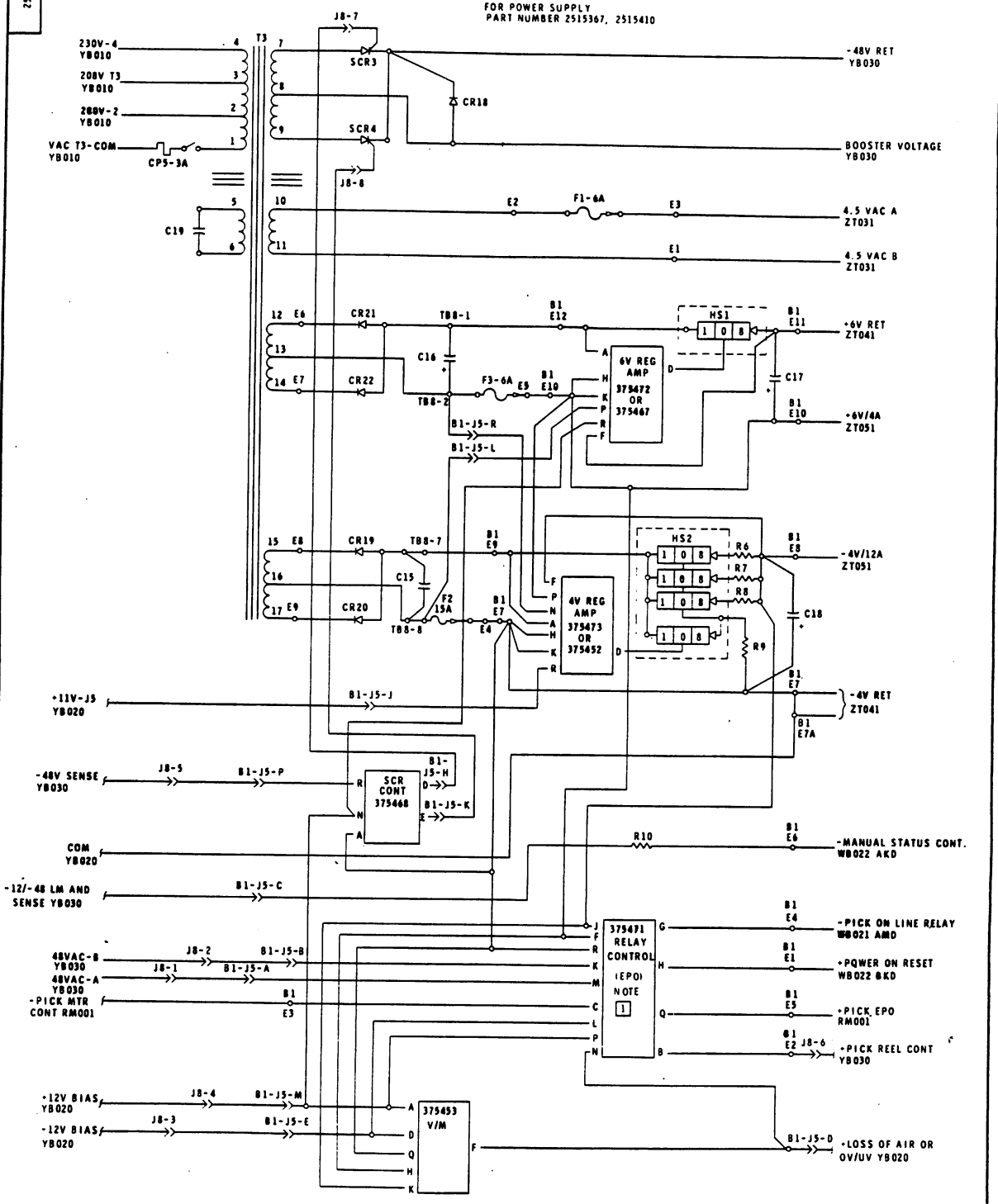
[Faint, illegible text covering the majority of the page, possibly bleed-through from the reverse side.]



D  
2515376

PART NO  
2515576  
LOGIC PG NO  
YB040

DC AND BOOSTER SUPPLY 60HZ  
3420 - 003, 005 PIGGY BACK  
FOR POWER SUPPLY  
PART NUMBER 2515367, 2515410



NOTE  
PRIOR TO EC 846624 CARD  
PART NUMBER 375454 WAS USED

"THIS DOCUMENT IS THE PROPERTY OF IBM. ITS USE IS AUTHORIZED ONLY FOR  
RESPONDING TO A REQUEST FOR QUOTATION OR FOR THE PERFORMANCE OF WORK  
FOR IBM. ALL QUESTIONS MUST BE REFERRED TO THE IBM PURCHASING DEPARTMENT."

NAME		DATE	CHANGE NO	DATE	CHANGE NO
-3420		16FEB72	734230	22MAY90	846320
60HZ		28MAR72	734232		
DESIGN	ECH	SHT 1 OF 1	22AUG72	734261	
DETAIL	LD	16FEB72	25MAY79	846624	
CHECK	SK	7FEB72	CLASSIFICATION	MUST CONFORM TO ENG SPEC	DEVELOPMENT NO
APPRO	N-JWM	7AUG72			LOGIC PG NO
					YB040



The page contains extremely faint and illegible text, likely bleed-through from the reverse side of the paper. The text is scattered across the page and does not form any recognizable words or sentences.

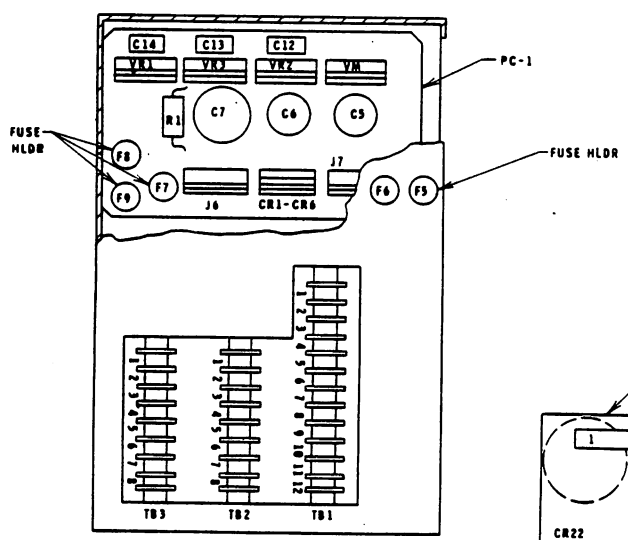
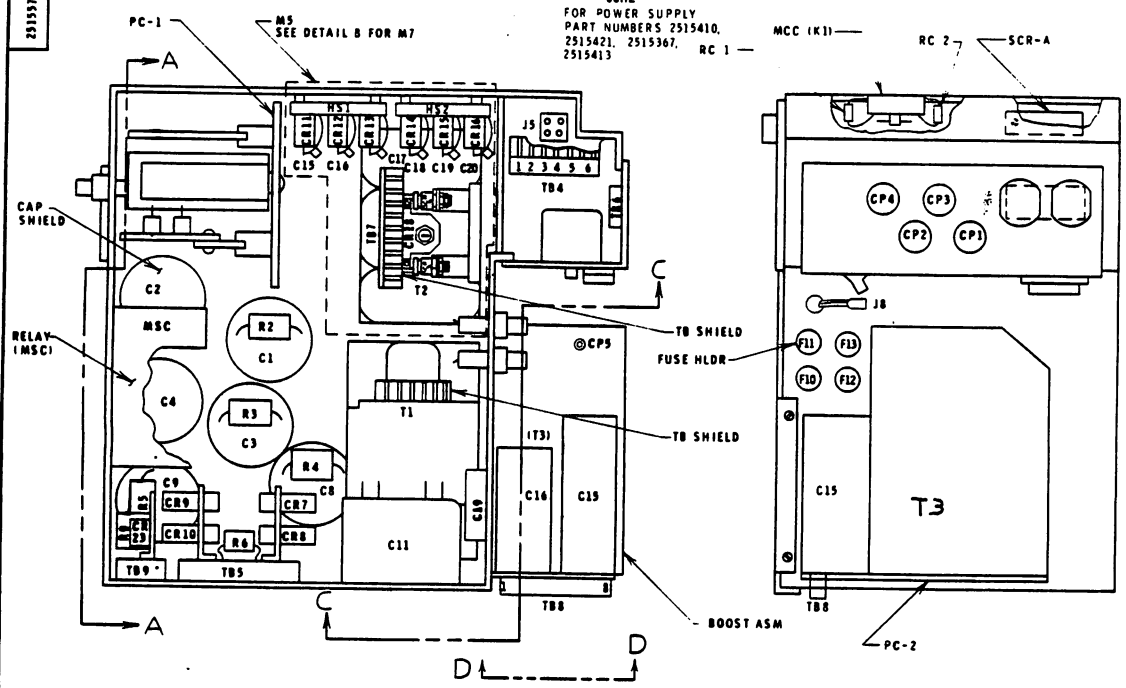
D  
2515374

PART NO  
2515374

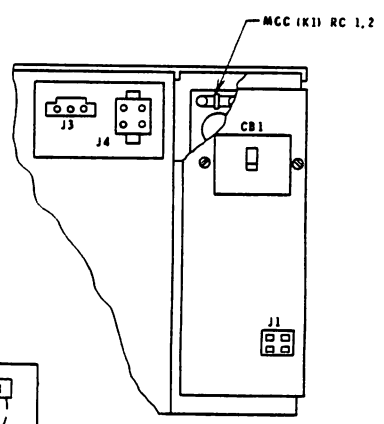
LOGIC PG NO  
YB050

3420 003, 005, 007 PIGGYBACK  
COMPONENT CHART  
40HZ  
FOR POWER SUPPLY  
PART NUMBERS 2515410,  
2515421, 2515367, RC 1 —  
2515413

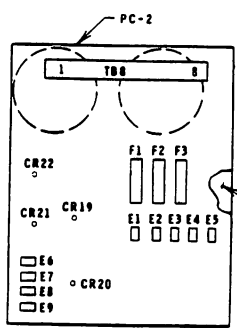
SHEET 1 OF 2



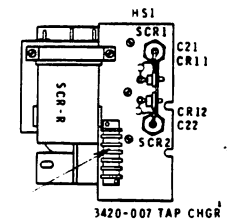
SECTION A-A



VIEW C-C



VIEW D-D  
SCALE NONE



DETAIL B

- NOTES
- 1
  - 2 NON-PCB
  - 3
  - 4 USED WITH POWER SUPPLY PART NUMBER 2515410 OR 2515367
  - 5 USED WITH POWER SUPPLY PART NUMBER 2515413 OR 2515421
  - 6 PART NUMBER 5796393 MAY BE PRESENT ON SOME MACHINES
  - 7 PART NUMBER 5796429 MAY BE PRESENT ON SOME MACHINES

"THIS DOCUMENT IS THE PROPERTY OF IBM. ITS USE IS AUTHORIZED ONLY FOR RESPONDING TO A REQUEST FOR QUOTATION OR FOR THE PERFORMANCE OF WORK FOR IBM. ALL QUESTIONS MUST BE REFERRED TO THE IBM PURCHASING DEPARTMENT."

IBM		DATE	CHANGE NO	DATE	CHANGE NO
NAME	SYSTEM COMPONENT CHART	SEE EC	HI STORY	22MAY80	846320
DESIGN	40HZ	20FEB74	734616		
DETAIL	LD	10JUN74	734683A		
CHECK	REM 10 NOV 74	CLASSIFICATION	17DEC 74	44-059	
APPRO	JWM 26 JUL 74	N-V-P	270072	DEVELOPMENT NO	LOGIC PG NO
					YB050

Subject: [Illegible]

[Illegible text block]

[Illegible text block]

[Illegible text block]

D  
2515574

PART NO  
2515574  
LOGIC PG NO  
YB050

3420-003, 005, 007 PIGGYBACK  
COMPONENT CHART  
60 HZ

SHEET 2 OF 2

NOTE	PART NO.	SYMBOL	DESCRIPTION
	5261825	C1, C2, C3, C4	70,000µf 13V CAPACITOR
	208238	C5, C6	10,000µf 33V CAPACITOR
	5266023	C7	10,000µf 55V CAPACITOR
	5214233	C8, C9	20,000µf 75V CAPACITOR
1	2515463	C15-C20	.05 MFD CAP
	369849	C12, C13, C14	CAP. 50 MFD AT 50VDC
	5252817	C11 NOTE [2]	30 MFD 330 VAC CAP.
0	5796393	C15	120K MFD 15VDC
7	5796429	C16	93K MFD 15VDC
5	5252810	C19 NOTE [2]	FERRO CAP. 10 MFD 330VAC
5	2524653	C21, C22	.15 MFD 500 WVDC
	2524683	RC1, 2	RC ASM (47n-22µf)
	359959	R1	1.5K 5W RES
	501505	R2, R3	50Ω 10W RES ASM
	5741896	R4, R5	300Ω 20W RES ASM
	2513470	R6	2W 200Ω RES ASM
	472588	R9	15Ω 25W RES
4	127324	CR18	30 AMP DIODE
	373332	CR1 THRU CR6	2 AMP DIODE CARD ASM
	598393	CR7, CR8, CR23	10 AMP DIODE
	598395	CR9, CR10	10 AMP DIODE
4	598258	CR11, CR12, CR13	30 AMP DIODE
5	127324	CR11, CR12	30 AMP DIODE
4	127324	CR14, CR15, CR16	30 AMP DIODE
	2392830	CR19-CR22(PC-2)	20 AMP DIODE
	2524619	SCRA	SOL COMT RELAY ASM
5	375466	SCR-R	SCR REG CARD
5	5213483	SCR1, 2	50 AMP CONTROL RECT
4	5213483	SCR3, SCR4	CONT RECT 55 AMP
4	373071	MSC	MANUAL STATUS CONT CARD
5	373074	MSC	MAN. STATUS CONTROL
	2513449	FUSE HOLDER	USE WITH F10 THRU F13 REF
	2513451	FUSE HOLDER	USE WITH F5 THRU F8 REF
	5786928	FUSE HOLDER	USE WITH F9 REF
	2515490	BOOST ASSEMBLY	COMPLETE ASSEMBLY
	5318968	RELAY (MSC)	MSC RELAY 4PDT

NOTE	PART NO.	SYMBOL	DESCRIPTION
	589091	MCC, K1	PNEU MTR RELAY ASM
	375386	VR2	REG CARD (12V)
	375387	VR3	REG CARD (30V)
	375386	VR1	REG CARD (12V)
	375336	VM	VOLTAGE MONITOR CARD ASM
	5719454	CB1	15 AMP CIRCUIT BRKR
	303679	F1, F3	FAST BLOW 6 AMP
	596676	F2, F6	15 AMP FUSE MED TIME LAG
	859231	F7, F8	2 AMP FUSE INSTANTANEOUS
	111255	F9	.75 AMP FUSE INSTANTANEOUS
4	1143492	F10	4 AMP FUSE LONG TIME LAG
5	511063	F10	10 AMP FUSE MED LAG
	433557	F5, F11	8 AMP FUSE MEDIUM TIME LAG
4	511063	F12, F13	10 AMP FUSE MEDIUM TIME LAG
5	596676	F12, F13	15 AMP FUSE MEDIUM TIME LAG
4	2229542	CP1, CP2	7 AMP CIRCUIT PROT
5	2218599	CP1	10 AMP CIRCUIT PROT
	2513475	CP3, CP5	3 AMP CIRCUIT PROT
	2513489	CP4	0.5 AMP CIRCUIT PROT
	2513459	T1	TRANS FERRO
4	2513490	T2	TRANS 3Ø
5	2515446	T2 AND TAP CHGR	TAP CHGR ASM
	2515524	T3	FERRO TRANSFORMER
5	2515445	T2	TRANS 45V
	2515429	PC-2	CARD ASSEMBLY RECTIFIER
	2513429	PC-1	REGULATOR VOLT BOARD
	1160977	J8	BOOST INNER ATTACH
	2523072	J1	INPUT POWER
	1166116	J3	CHAN AIR SOL
	2501405	J4	PNEU SUP MOTOR
	2501405	J5	COOL BLOW
	2195298		J1 CLIP
	533362	TB SHIELD	USE WITH T1 REF (5 POS)
4	352850	TB SHIELD	USE WITH T2 REF (9 POS)
5	350977	TB SHIELD	USE WITH T2 REF (8 POS)
	631769	CAP SHIELD	USE WITH C1-C8, C9 REF
	2524652	BOOST SHIELD	USE WITH BOOST ASM REF

"THIS DOCUMENT IS THE PROPERTY OF IBM. ITS USE IS AUTHORIZED ONLY FOR RESPONDING TO A REQUEST FOR QUOTATION OR FOR THE PERFORMANCE OF WORK FOR IBM. ALL QUESTIONS MUST BE REFERRED TO THE IBM PURCHASING DEPARTMENT."

IBM		DATE	CHANGE NO	DATE	CHANGE NO
NAME	SYSTEM COMPONENT CHART	948 EC	M1510BY	22MAY80	846320
	60WZ	2578078	736036		
DESIGN		10100074	736003A		
DETAIL		17DEC 76	449099		
CHECK		CLASSIFICATION	MUST CONFORM TO ENG SPEC	DEVELOPMENT NO	LOGIC PG NO
APPRO		N-V-F	30MPTZ		YB050

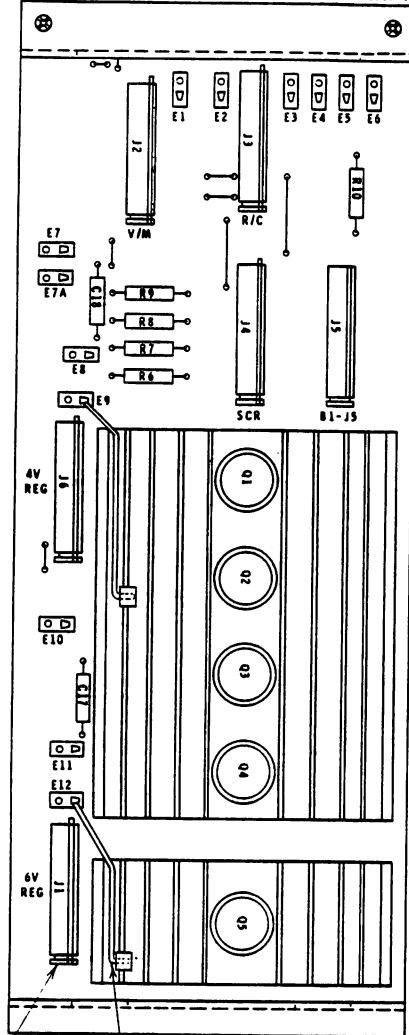
[The page contains extremely faint and illegible text, likely a scan of a document with low contrast or significant noise. The text is mostly illegible but appears to be organized into paragraphs and possibly a list or table structure.]



D  
2515560

50-60HZ 3420-003.005.007 PIGGYBACK  
COMPONENT LOCATION  
CHART  
FOR POWER SUPPLY PART NUMBER 2515367, 2515410, 1766046, 1766045,  
2515413, 2524644, 2524645, 2515421

PART NO 2515560	LOGIC PG NO YB060
--------------------	----------------------



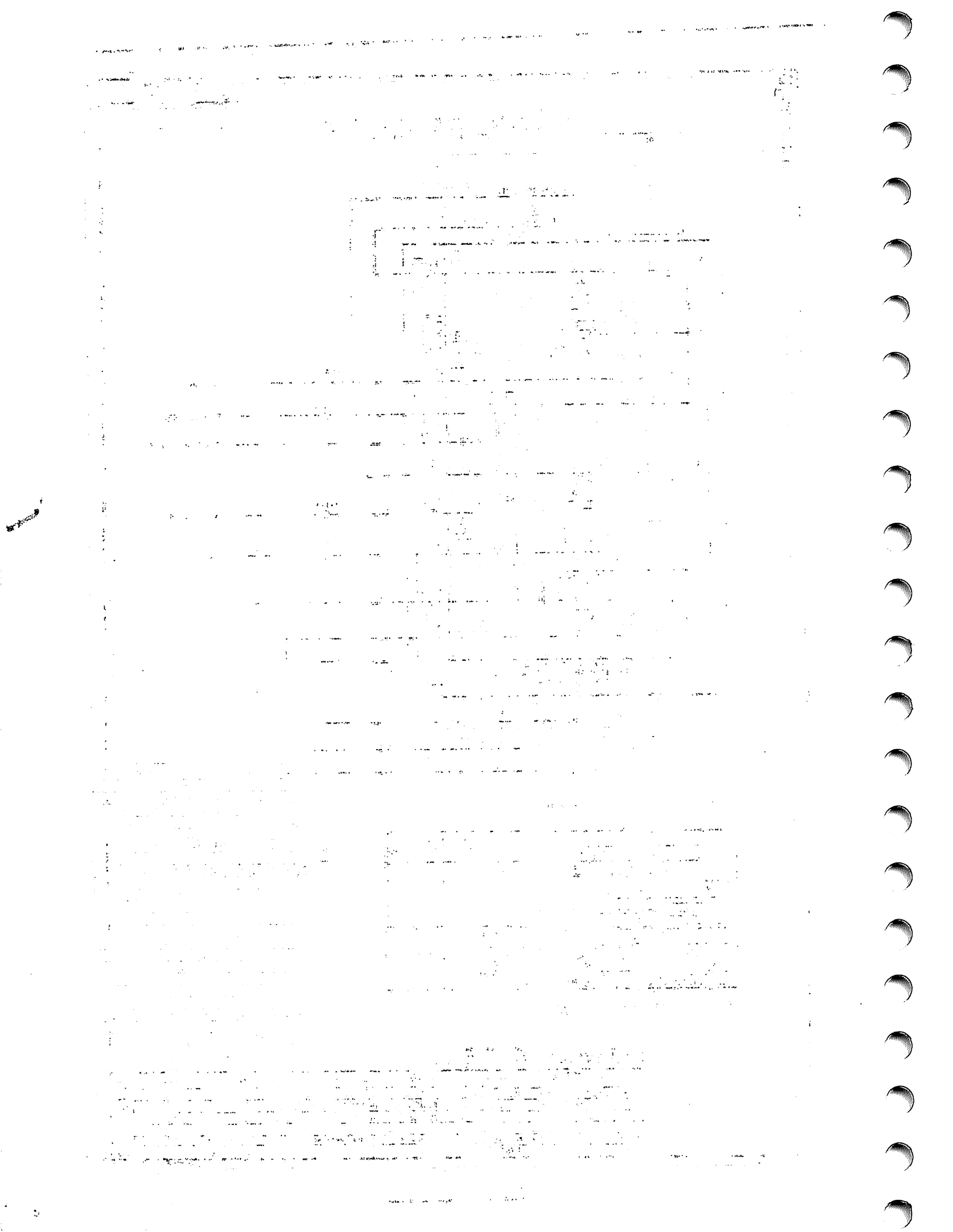
- NOTES:
- 1 IMPROVED REPLACEMENT FOR P/N 375467
  - 2 IMPROVED REPLACEMENT FOR P/N 375452
  - 3 BOARD P/N 2515544 POWER SUPPLY PART NUMBER 2515367 OR 2515410
  - 4 BOARD P/N 2524666 POWER SUPPLY PART NUMBERS 1766045, 1766046, 2515413, 2524644, 2524645, 2515421
  - 5 IMPROVED REPLACEMENT FOR P/N 375338
  - 6 USED ON POWER SUPPLY PART NUMBER 2515367 OR 2515410 ONLY
  - 7 PRIOR TO ENGINEERING CHANGE 846624 CARD PART NUMBER 375454 WAS USED

PART NO.	SYMBOL	DESCRIPTION
375412	J1 6V REG [1]	REG SMS CARD
375453	J2 V/M CARD	VOLT MONITOR SMS CARD
378471	J3 R/C CARD [2]	RELAY CONTROL EPO
375468	J4 SCR CARD [5]	-CONT NOTE [6]
-	J5	CABLE CONNECTOR
375473	J6 4V REG [7]	REG SMS CARD
4169798	JU 1	JUMPER TO HEATSINK
492866	C17, C18	CAPACITOR 100uF, 10VDC
207324	R6-R8	RESISTOR 0.1A, 3W
335329	R9	RESISTOR 47A, 2W
317888	R10	RESISTOR 3KA, 2W
369214	Q1-Q5	TRANSISTOR 10B
2521592	RETAINER CARD	USE WITH J1, J2, J3, J4, J6 REFERENCE

"THIS DOCUMENT IS THE PROPERTY OF IBM. ITS USE IS AUTHORIZED ONLY FOR REFERRING TO A REQUEST FOR QUOTATION OR FOR THE PERFORMANCE OF WORK FOR IBM. ALL QUESTIONS MUST BE REFERRED TO THE IBM PURCHASING DEPARTMENT."

IBM				DATE	CHANGE NO	DATE	CHANGE NO
NAME	INTERFACE BOARD			9NOV71	733706	24MAY73	739801
DESIGN	LD	SMT	OF	14FEB72	734230	23NOV76	449063
DETAIL	LD	9NOV71		29MAR72	734232	21 MAR 77	449068
CHECK	REM	5 NOV 71	CLASSIFICATION	22AUG72	734261	22MAY80	846320
APPRO	N-JWM	7AUG72					
				MUST CONFORM TO ENG SPEC		DEVELOPMENT NO	
						LOGIC PG NO	
						YB060	

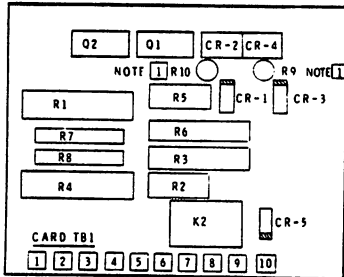
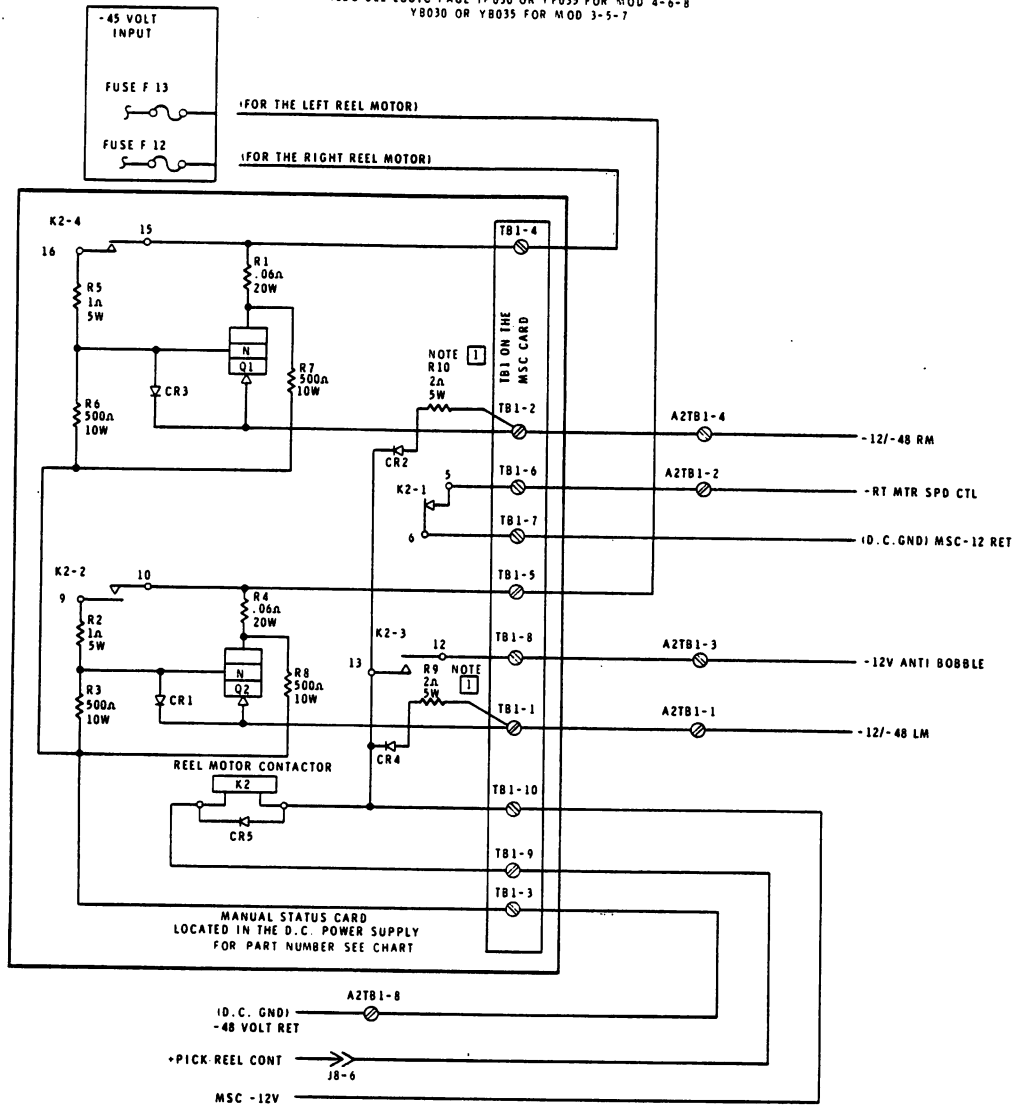
0656152



1845798 D

PART NO  
1845798 LOGIC PG NO  
YC021

MSC CARD REFERENCE 3420 50-60HZ PIGGYBACK SUPPLIES  
ALSO SEE LOGIC PAGE YF030 OR YF035 FOR MOD 4-6-8  
Y8030 OR Y8035 FOR MOD 3-5-7



POWER SUPPLY PART NUMBER	MSC PART NUMBER
1766045	
1767849	
1767850	
2515367	373071
2515410	
2524644	
1766046	
1767917	
1767918	
2515413	373074
2515421	
2524645	

NOTE  
1 RESISTOR R9 AND R10 ARE NOT PRESENT ON PART NUMBER 373071

"THIS DOCUMENT IS THE PROPERTY OF IBM. ITS USE IS AUTHORIZED ONLY FOR RESPONDING TO A REQUEST FOR QUOTATION OR FOR THE PERFORMANCE OF WORK FOR IBM. ALL QUESTIONS MUST BE REFERRED TO THE IBM PURCHASING DEPARTMENT."

IBM		DATE	CHANGE NO	DATE	CHANGE NO
NAME	SYSTEMS DIAGRAM MANUAL	20FEB73	734780		
STATUS CARD (MSC)		10FEB77	449077		
DESIGN DBR		SMT OF			
DETAIL	GW5 20FEB73		22MAY80	846320	
CHECK		CLASSIFICATION	MUST CONFORM TO ENG SPEC	DEVELOPMENT NO	
APPROD		N-DK	16FEB73		LOGIC PG NO YC021

1845798 D

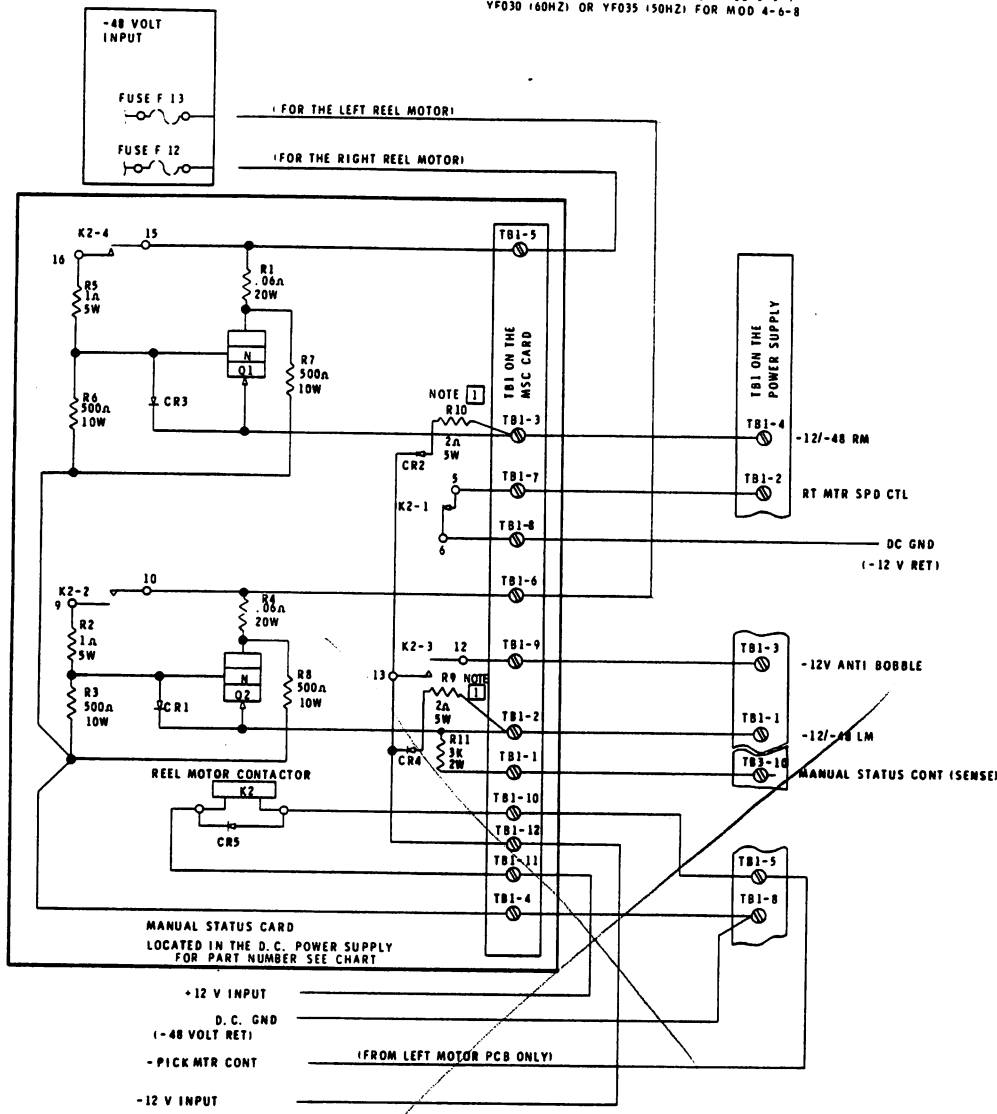
[Faint, illegible text covering the majority of the page, possibly bleed-through from the reverse side.]



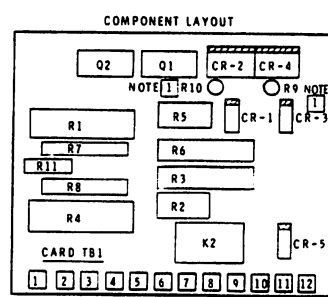
2524488

YCO21

MSC CARD (REF) 3420- 50 - 60HZ  
 ALSO SEE LOGIC PAGE YB030 (60HZ) OR YB035 (50HZ) FOR MOD 3-5-7  
 YF030 (60HZ) OR YF035 (50HZ) FOR MOD 4-6-8



POWER SUPPLY PART NUMBER	MSC PART NUMBER
1767835	2523105
1767836	
2522839	
2522840	
1767833	2524604
1767834	
2522837	
2522838	



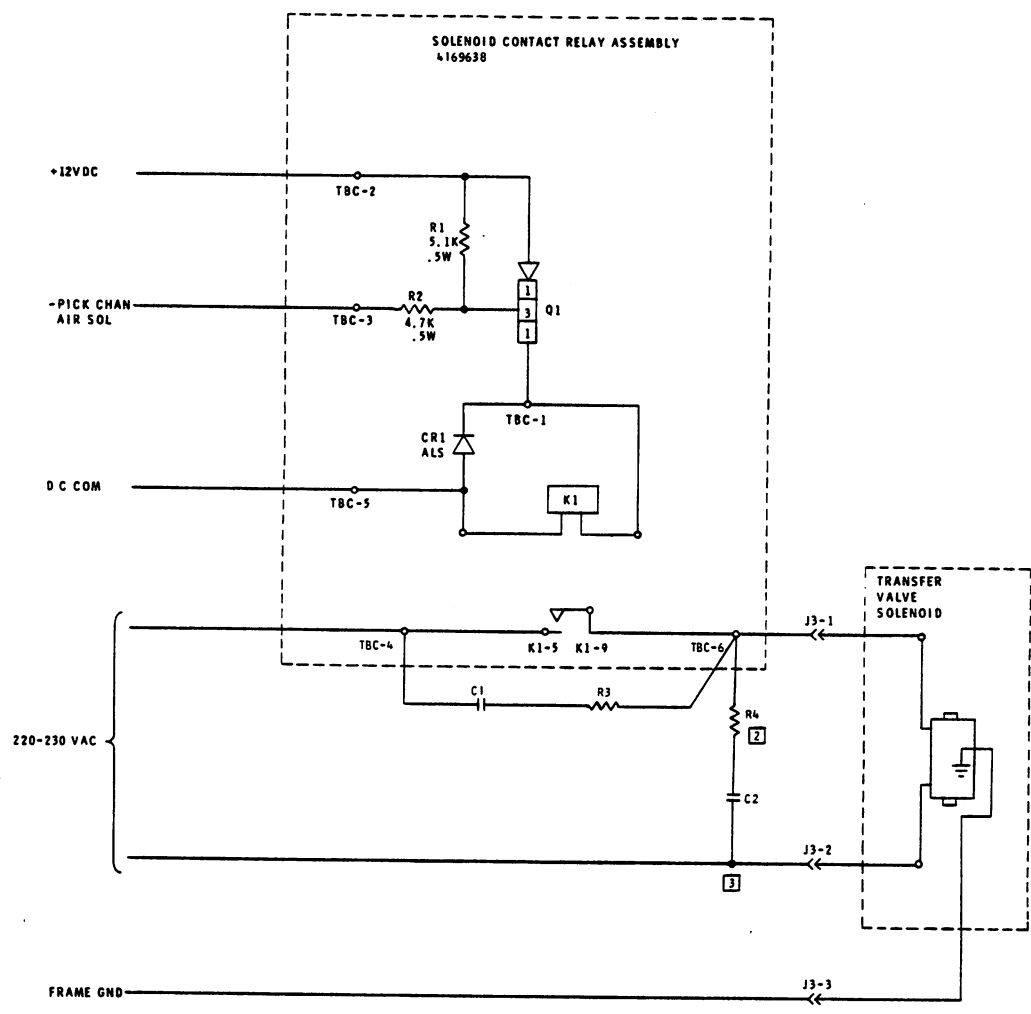
NOTE  
 1 RESISTOR R9 AND R10 NOT PRESENT ON PART NUMBER 2524604

NAME	DATE	CHANGE NO	DATE	CHANGE NO	NOTE	DEVELOPMENT NO
REFERENCE DESIGN	31OCT70	733501 C	22MAY80	846320	* PRINT TO ENG SPEC NO	
MANUAL STATUS CARD (MSC)	TJANT1	733501N				
DESIGN		ITMAYH	733520			
DETAIL	DDA 31OCT70	AP	11AM671	733966		
CHECK			48NOV72	734766		
APPRO						

881-757  
 605-1110-066

[The page contains extremely faint and illegible text, possibly bleed-through from the reverse side of the paper. The text is too light to transcribe accurately.]





- NOTE
- 1. ADDITIONAL DETAIL FOR LOGICS YB020 AND YB025
  - 2. C1, R3, R4, ASM-P/N 4169597  
C2-P/N 5252836  
MOUNTING BRACKET-P/N 4169598  
JUMPER-P/N 4169600
  - 3. SEE LOGIC PAGE YB020 OR YB025 FOR WIRING CONNECTION

"THIS DOCUMENT IS THE PROPERTY OF IBM. ITS USE IS AUTHORIZED ONLY FOR RESPONDING TO A REQUEST FOR QUOTATION OR FOR THE PERFORMANCE OF WORK FOR IBM. ALL QUESTIONS MUST BE REFERRED TO THE IBM PURCHASING DEPARTMENT."

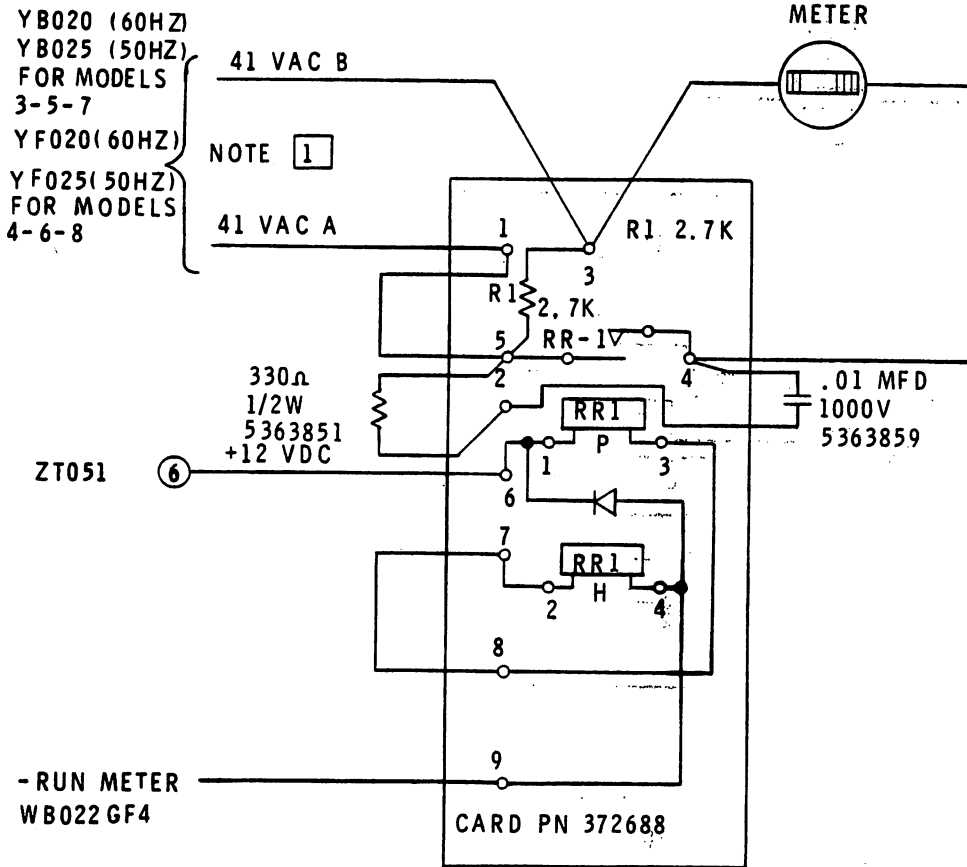
IBM		DATE	CHANGE NO	DATE	CHANGE NO
NAME	TRANSFER VALVE SOLENOID DRIVE	11AUG71	733696		
DESIGN	ECH	7JUL71	SHT OF	27MAR72	734231
DETAIL	CEW	11AUG71		16 MAY 75	443870
CHECK				31MAR76	--9022
APPRO					
	CLASSIFICATION	MUST CONFORM TO ENG SPEC		DEVELOPMENT NO	LOGIC PG NO
					YC031

*[The text in this section is extremely faint and illegible due to low contrast and scan quality. It appears to be a multi-paragraph document.]*



"This document is the property of IBM. Its use is authorized only for responding to a request for quotation or for the performance of work for IBM. All questions must be referred to the IBM Purchasing Department."

# USAGE METER



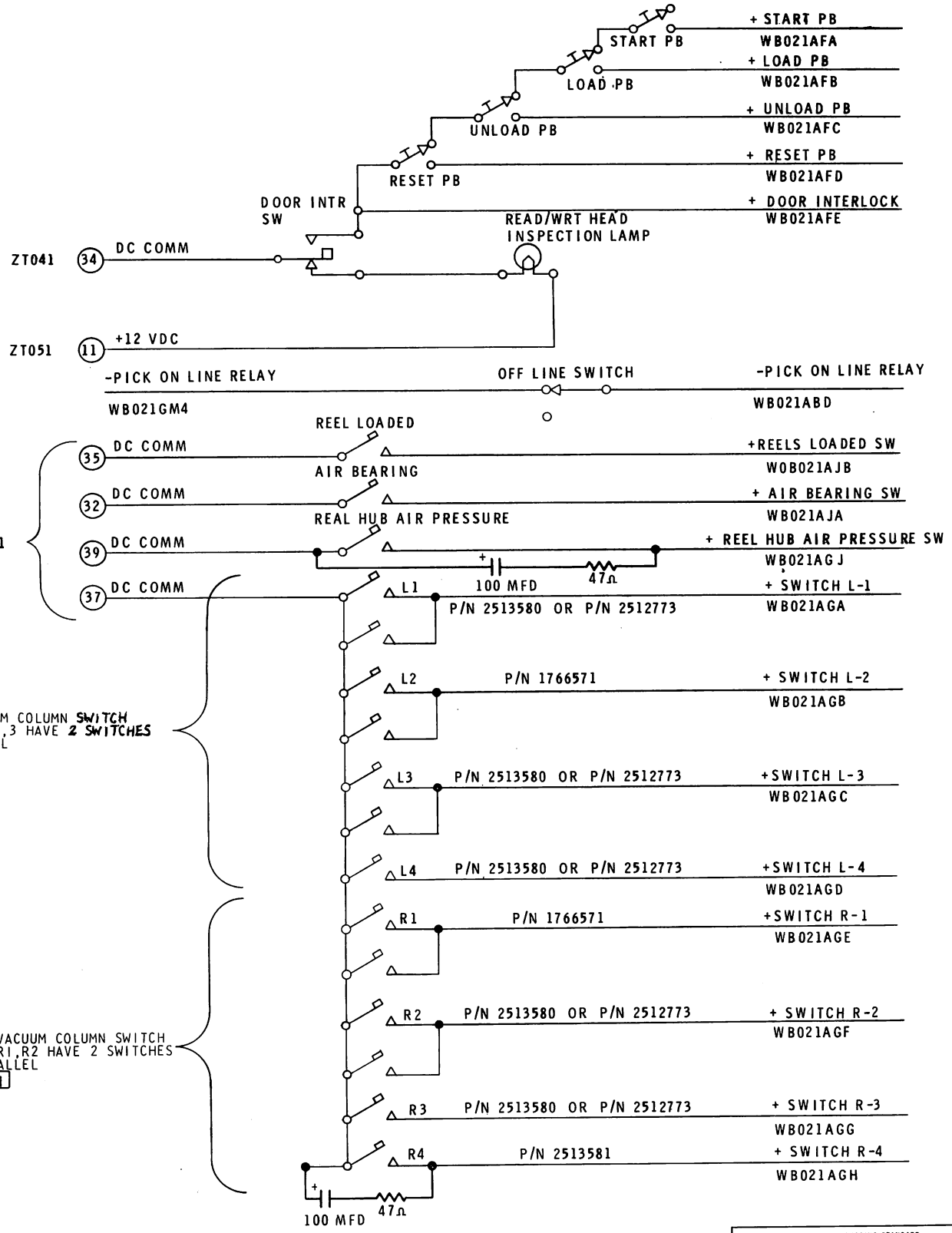
NOTES

- 1 INPUT VOLTAGE IS APPROXIMATELY 41 VAC WHEN METER IS RUNNING AND 53.5 VAC WHEN METER IS NOT RUNNING

INTERNATIONAL BUSINESS MACHINES CORP.		DATE	CHANGE NO.	DATE	CHANGE NO.	NOTE	DEVELOPMENT NO.
NAME USAGE METER		14OCT72	734303F			X PRINT TO ENG. SPEC. NO.	1766784
DESIGN DBK		22MAY80	846320				
DETAIL GJK 14OCT72							
CHECK	DRAW						
APPRO N-DK	30AUG72	CHECK					ZTOOL

STANDARD CODE  
2524491

CARD CODE ZT011



LEFT VACUUM COLUMN SWITCH  
PORTS L1, 2, 3 HAVE 2 SWITCHES  
IN PARALLEL  
NOTE 1

RIGHT VACUUM COLUMN SWITCH  
PORTS R1, R2 HAVE 2 SWITCHES  
IN PARALLEL  
NOTE 1

NOTES:  
1 ON SOME MACHINES ONLY PORTS L2 AND R1 HAVE TWO SWITCHES IN PARALLEL.

CIRCUIT AND PACKAGING STANDARD	
APPROVAL	DATE

INTERNATIONAL BUSINESS MACHINES CORP.		DATE	CHANGE NO.	APPROVAL	DATE	CHANGE NO.	APPROVAL	DEVELOPMENT NO.
NAME TOP PANEL AND VACUUM SWITCHES		11JUN76	449014C					
DESIGN	DDA	21SEP76	449049					
DETAIL	DDA	12JUN81	846320C					
CHECK								
APPRO	R-201	16NOV81	847861					

"This document is the property of IBM. Its use is authorized only for responding to a request for quotation or for the performance of work for IBM. All questions must be referred to the IBM Purchasing Department."

IBM 2524491

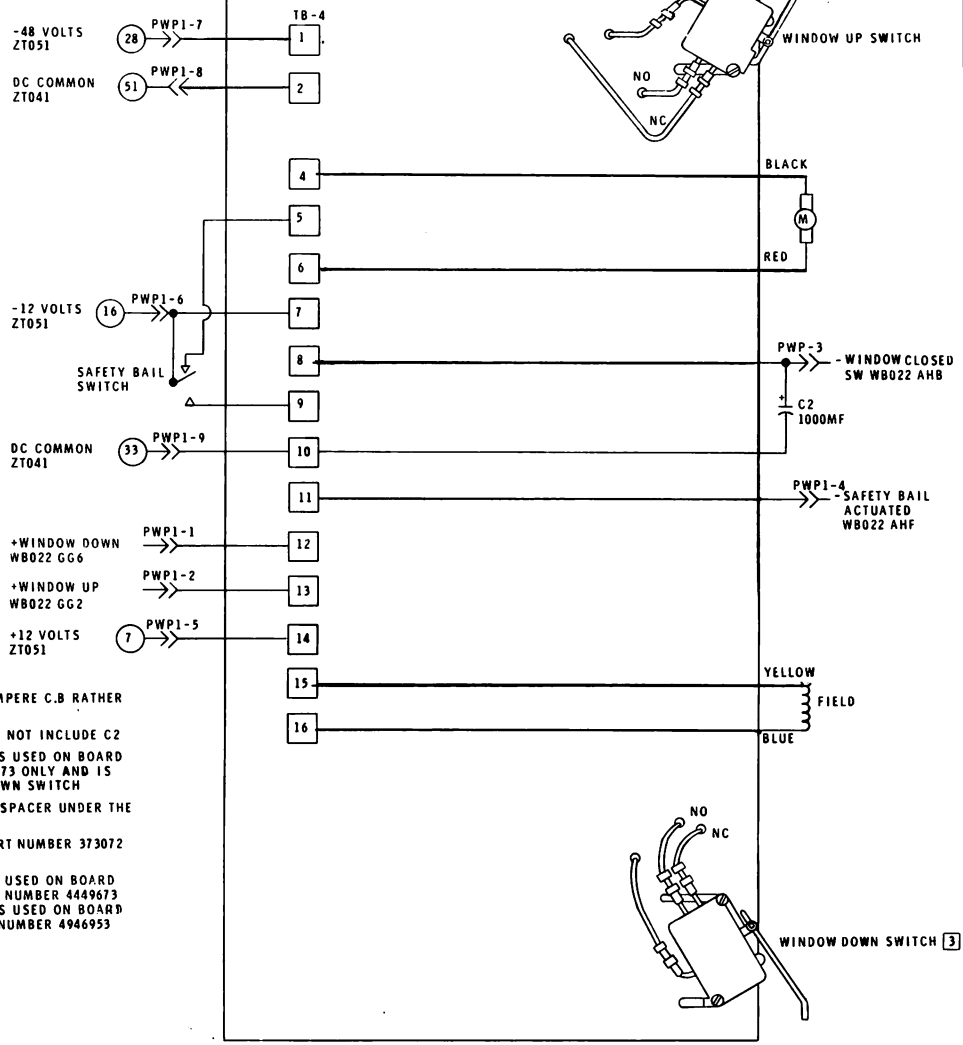
C

2524491 16

4449679

P/N 4946953 AND 4449673 ARE USED ON MACHINES WITH EC 443925  
P/N 373072 AND 4449672 ARE USED ON MACHINES WITHOUT EC 443925

COMPONENT	PART NUMBER
WINDOW UP SWITCH [6]	5418005, 829728
WINDOW DOWN SWITCH [6]	5418005, 829728
SWITCH ACTUATOR	2501152
FUSE 2A	615683
FUSE HOLDER	179946
C2	1767693
SPACER [3]	4169484
RELAY [5]	5213449



- NOTES
- SOME MACHINES WILL HAVE 2 AMPERE C.B RATHER THAN FUSE
  - COMPLETE CARD ASSEMBLY DOES NOT INCLUDE C2
  - SPACER PART NUMBER 4169484 IS USED ON BOARD PART NUMBER 4946953 AND 4449673 ONLY AND IS LOCATED UNDER THE WINDOW DOWN SWITCH
  - CHECKPOINT FOR EC 449925 IS A SPACER UNDER THE WINDOW DOWN SWITCH
  - RELAY ONLY USED ON BOARD PART NUMBER 373072 AND PART NUMBER 4946953
  - SWITCH PART NUMBER 829728 IS USED ON BOARD PART NUMBER 4449672 AND PART NUMBER 4449673 SWITCH PART NUMBER 5418005 IS USED ON BOARD PART NUMBER 373072 AND PART NUMBER 4946953

CIRCUIT BOARDS PART NUMBER 373072 AND 4946953 CONTROL MOTOR DIRECTION BY REVERSING THE DIRECTION OF ARMATURE CURRENT  
TERMINAL VOLTAGE FOR VARIOUS MOTORS STATES WHEN USING BOARD PART NUMBER 373072 AND 4946953

MOTOR STATE	ARMATURE		FIELD	
	TERMINAL AND WIRE COLOR	TERMINAL AND WIRE COLOR	TERMINAL AND WIRE COLOR	TERMINAL AND WIRE COLOR
GO UP	4/BLACK	6/RED	15/YELLOW	16/BLUE
GO DOWN	-1V MAX	-48V	-1V MAX	-48V
STOP	-48V	-48V	-48V	-48V

CIRCUIT BOARD PART NUMBER 4449672 AND 4449673 CONTROL MOTOR DIRECTION BY REVERSING THE DIRECTION OF FIELD CURRENT  
TERMINAL VOLTAGES FOR VARIOUS MOTOR STATES WHEN USING BOARD PART NUMBER 4449672 OR 4449673

MOTOR STATE	ARMATURE		FIELD	
	TERMINAL AND WIRE COLOR	TERMINAL AND WIRE COLOR	TERMINAL AND WIRE COLOR	TERMINAL AND WIRE COLOR
GO UP	4/BLACK	6/RED	15/YELLOW	16/BLUE
GO DOWN	-48V	-1V MAX	-48V	-1V MAX
STOP	-48V	-48V	-10V MAX	-10V MAX

NOTE: ON THESE TWO BOARDS THE FIELD VOLTAGE WILL REVERSE FOR APPROXIMATELY 100 MS WHEN THE MOTOR STOPS IN THE OPEN OR CLOSED POSITION

"THIS DOCUMENT IS THE PROPERTY OF IBM. ITS USE IS AUTHORIZED ONLY FOR RESPONDING TO A REQUEST FOR QUOTATION OR FOR THE PERFORMANCE OF WORK FOR IBM. ALL QUESTIONS MUST BE REFERRED TO THE IBM PURCHASING DEPARTMENT."

IBM				DATE	CHANGE NO	DATE	CHANGE NO
NAME	SYSTEM DIAGRAM POWER			22 MAY 80	846320		
WINDOW BOARD	3420 ALL MODELS			12JUN81	846320C		
DESIGN	GS	8NOV79	SHT 1 OF 1	21DEC81	847861A		
DETAIL	GDI						
CHECK	AR	19JAN80	CLASSIFICATION	MUST CONFORM TO ENG SPEC		DEVELOPMENT NO	LOGIC PG NO
APPRO							

4449679

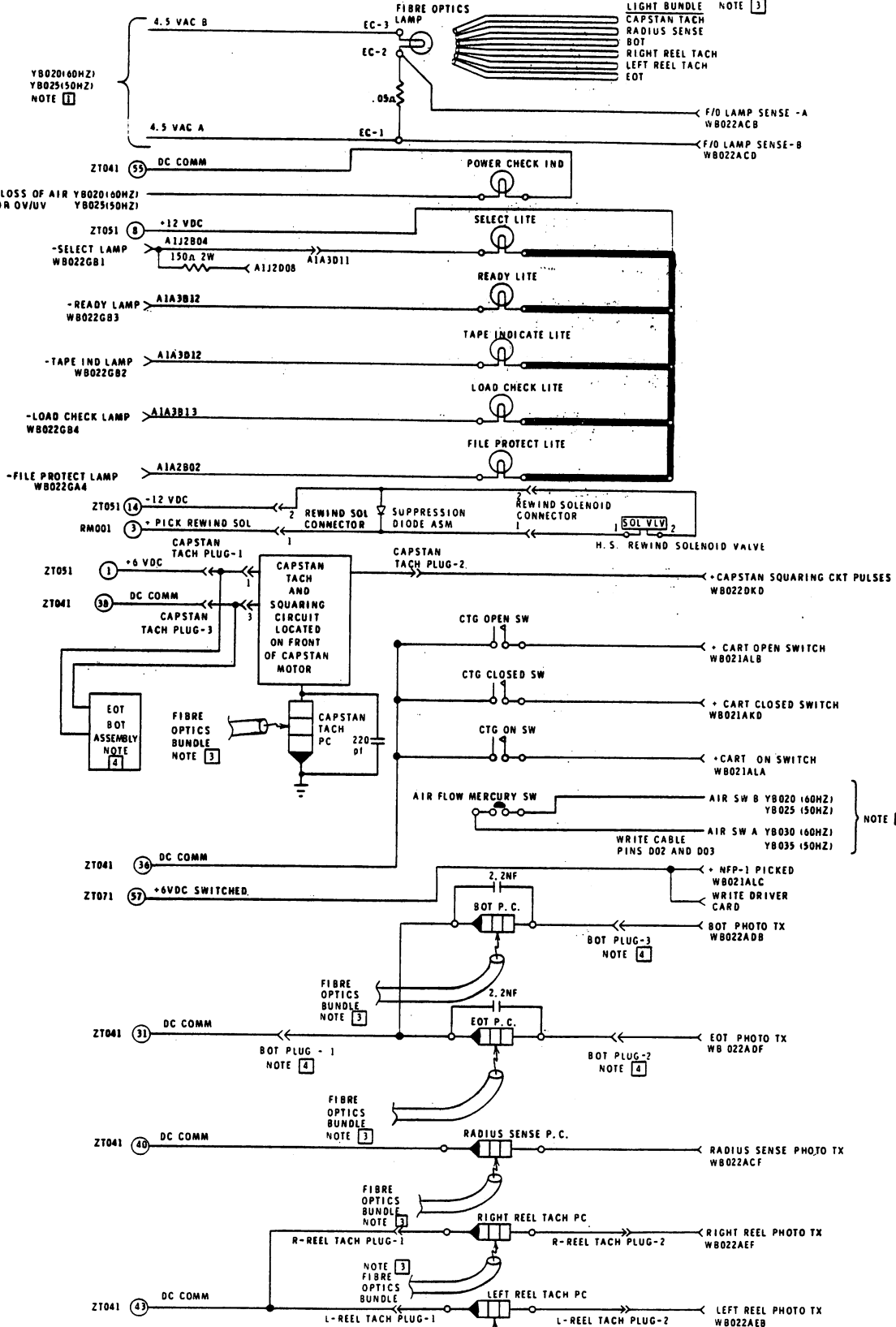
*[The text in this section is extremely faint and illegible due to low contrast and noise. It appears to be a multi-paragraph document.]*



2524493

ZT031

This document is the property of IBM. It is to be returned only for reworking to a resident for customer. For the performance of work for IBM. All questions must be referred to the IBM Purchasing Department.



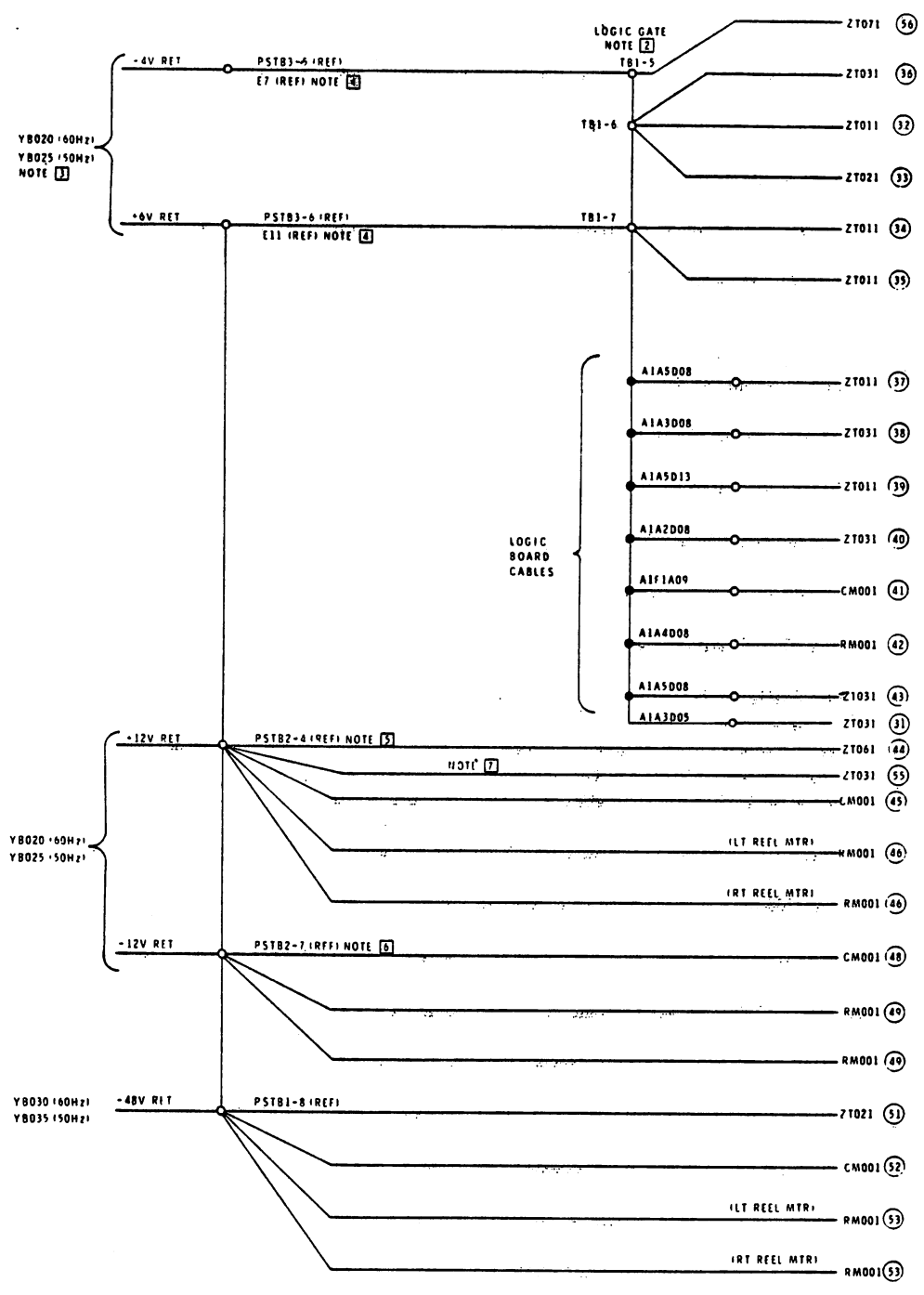
- NOTES
- FOR 3420 S/N 34090 TO 37100 AND S/N 90001 TO 99999 REFER TO PAGE YB040 (60HZ) OR YB045 (50HZ)
  - FOR 3420 S/N 34090 TO 37100 AND S/N 90001 TO 99999 REFER TO PAGE YB020 (60HZ) OR YB025 (50HZ) FOR BOTH AIR SW LINES
  - ON SOME MACHINES A LED MAY BE PRESENT IN PLACE OF FIBRE BUNDLE
  - ONLY PRESENT ON MACHINES WITH LED EOT/BOT ASSEMBLY

NAME	DATE	CHANGE NO	DATE	CHANGE NO	NOTE	DEVELOPMENT NO
SCHEMATIC	SEE EC HISTORY		22MAY80	846320	PRINT TO ENG. SPEC. NO	
REFERENCE	2 NOV 72	734749				
DESIGN ECN	11 JAN 73	734756				
DETAIL DDA	7 MAR 73	734760				
CHECK	14 MAR 73	440992				
APPROV						

98-014-000  
ZT031

[The page contains extremely faint and illegible text, likely bleed-through from the reverse side of the paper. The text is scattered across the page and does not form any recognizable words or sentences.]

This document is the property of IBM. Its use is restricted to the specific project for which it was prepared. It is not to be distributed outside the project or for the performance of work for IBM. All quantities must be specified in the IBM Planning Department.



- NOTES**
- 1 PSTB1, PSTB2, AND PSTB3 REFER TO TB'S 1-2-3 ON FRONT OF POWER SUPPLY
  - 2 SEE PAGE FY910 FOR LOGIC GATE DISTRIBUTION
  - 3 FOR 3420 S/N 14090 TO 37100 AND S/N 90001 TO 99999 REFER TO YB040 (60HZ) OR YR045 (50HZ)
  - 4 E7 AND E11 TERMINATIONS ARE LOCATED ON POWER REG BOARD NEXT TO RIGHT REEL MOTOR BOARD ON 3420 S/N 34090 TO 37100 AND S/N 90001 TO 99999
  - 5 \*PSTB3-4 ON 3420 S/N 34090 TO 37100 AND S/N 90001 TO 99999
  - 6 \*PSTB1-7 ON 3420 S/N 34090 TO 37100 AND S/N 90001 TO 99999
  - 7 LINE (5) GOES TO PSTB2-6 ON 3420 S/N 34090 TO 37100 AND S/N 90001 TO 99999

NAME	DATE	CHANGE NO	DATE	CHANGE NO	NOTE	DEVELOPMENT NO
GROUND DISTRIBUTION	15MAR71	733520	12NOV71	733900B		
	31JUN71	733944	17MAY72	734375A		
	11AUG71	733966	22SEP72	734467		
	15SEP71	734017	2NOV72	734740		
	6OCT71	734024	11JAN73	734756		

ZT041

930-0144-000

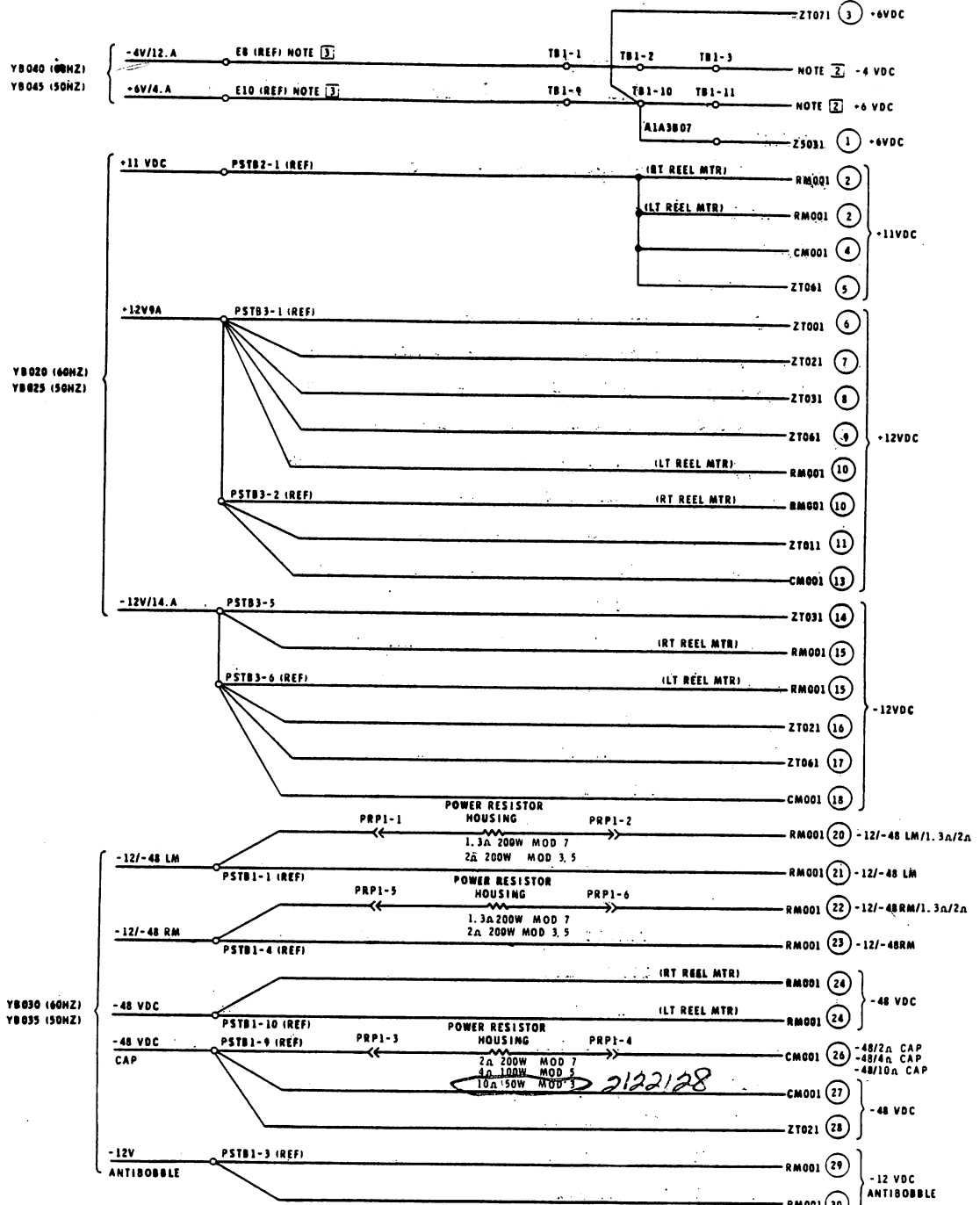


[The text in this block is extremely faint and illegible due to the quality of the scan. It appears to be a multi-paragraph document with various lines of text and some minor markings.]

D  
174519

DC DISTRIBUTION 3420 MOD-03-05-07 PIGGYBACK  
50HZ AND 60HZ

PART NO  
1746579  
LOGIC PG NO  
ZT051



- NOTES
- 1 PSTB1, PSTB2, AND PSTB3 REFER TO TB1, TB2, AND TB3 ON FRONT OF POWER SUPPLY
  - 2 SEE PAGE FT910 FOR LOGIC GATE DISTRIBUTION
  - 3 EB AND E10 TERMINATIONS ARE LOCATED ON POWER REG BOARD NEXT TO RIGHT REEL MOTOR BOARD

"THIS DOCUMENT IS THE PROPERTY OF IBM. ITS USE IS AUTHORIZED ONLY FOR RESPONDING TO A REQUEST FOR QUOTATION OR FOR THE PERFORMANCE OF WORK FOR IBM. ALL QUESTIONS MUST BE REFERRED TO THE IBM PURCHASING DEPARTMENT."

IBM		DATE	CHANGE NO	DATE	CHANGE NO
NAME	REFERENCE PAGE	12NOV71	7339908	19APR78	449093
DC DISTRIBUTION MOD-003-005-007		22SEP72	734467	22MAY80	846320
DESIGN	BY	OF			
DETAIL	LD	12NOV71	2NOV72	734749	
CHECK			12JAN73	734756	
APPROV					
CLASSIFICATION		MUST CONFORM TO ENG SPEC		DEVELOPMENT NO	
N-RB 17SEP72				LOGIC PG NO	
				ZT051	

174519  
D

Illegible text at the top of the page, possibly a title or introductory sentence.

Main body of illegible text, appearing as several paragraphs of faint, mirrored characters.

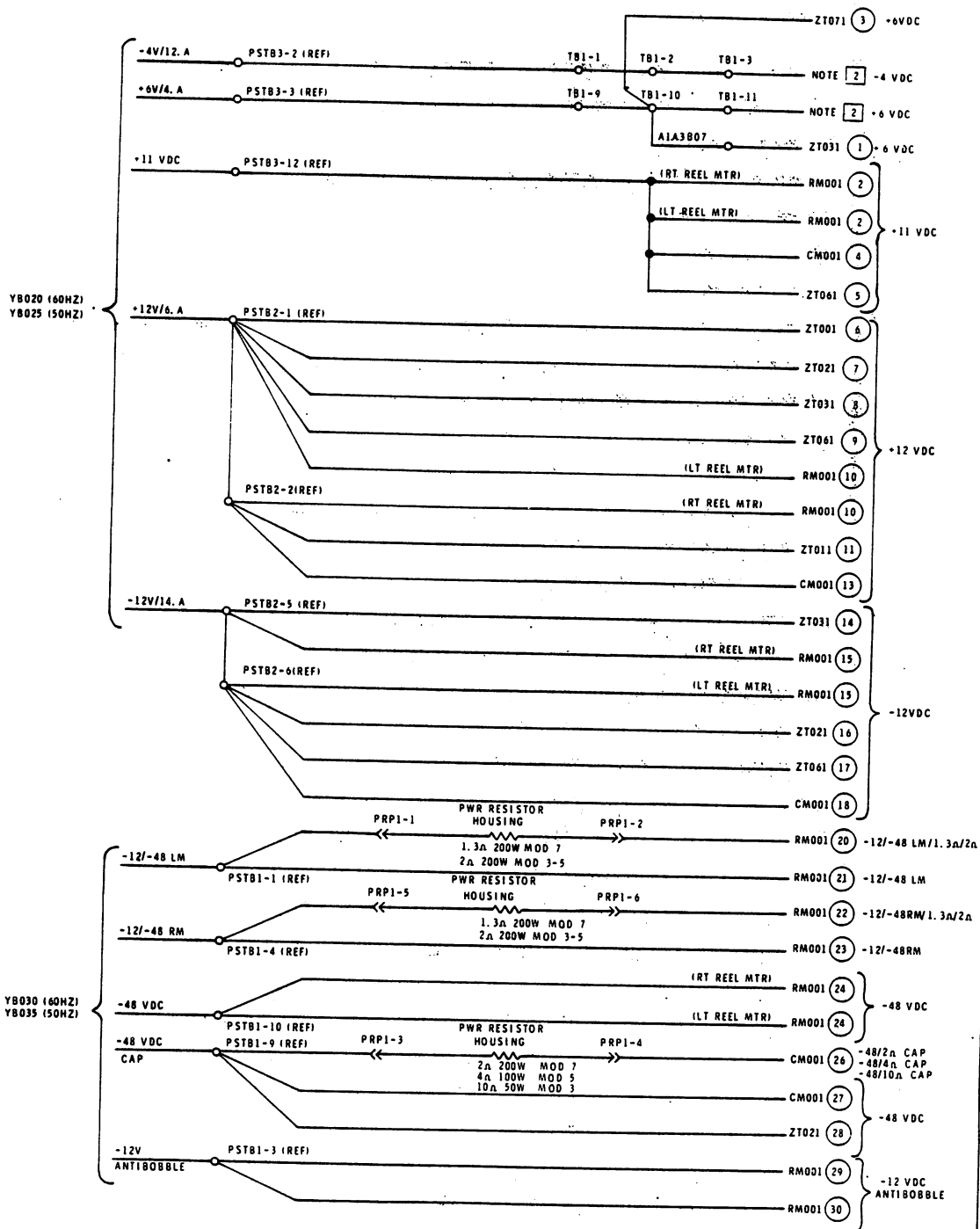
Illegible text at the bottom of the page, possibly a signature or footer.



2522497

DC DISTRIBUTION 3420 MOD- 03, 05, 07  
 POWER SUPPLY PART NUMBERS 2522837, 2522839  
 2522838, 2522840

ZT051



- NOTES
- 1 PSTB1, PSTB2, AND PSTB3 REFER TO TB1, TB2, AND TB3 ON FRONT OF POWER SUPPLY
  - 2 SEE PAGE FT910 FOR LOGIC GATE DISTRIBUTION

This document is the property of IBM. Its use is authorized only for performing a request for quotation or for the performance of work for IBM. All customers must be returned to the IBM Purchasing Department.

NAME	REFERENCE PAGE	DATE	CHANGE NO	DATE	CHANGE NO	NOTE	DEVELOPMENT NO
DC DISTRIBUTION MOD-03-05-07		31OCT70	733501C	14OCT71	734024	PRINT TO ENG SPEC NO	
DESIGN		17JAN71	733501N	3NOV71	734045		
DETAIL		18MAR71	733520	12SEP72	734467		ZT051
CHECK		3JUN71	733944	19APR78	449093		
APPROV		11AUG71	733980	22MAY80	846320		

930-0154-000  
2522497

1950

1951

1952

1953

1954

1955

1956

1957

1958

1959

1960

1961

1962

1963

1964

1965

1966

1967

1968

1969

1970

1971

1972

1973

1974

1975

1976

1977

1978

1979

1980

1981

1982

1983

1984

1985

1986

1987

1988

1989

1990

1991

1992

1993

1994

1995

1996

1997

1998

1999

2000

2001

2002

2003

2004

2005

2006

2007

2008

2009

2010

2011

2012

2013

2014

2015

2016

2017

2018

2019

2020

2021

2022

2023

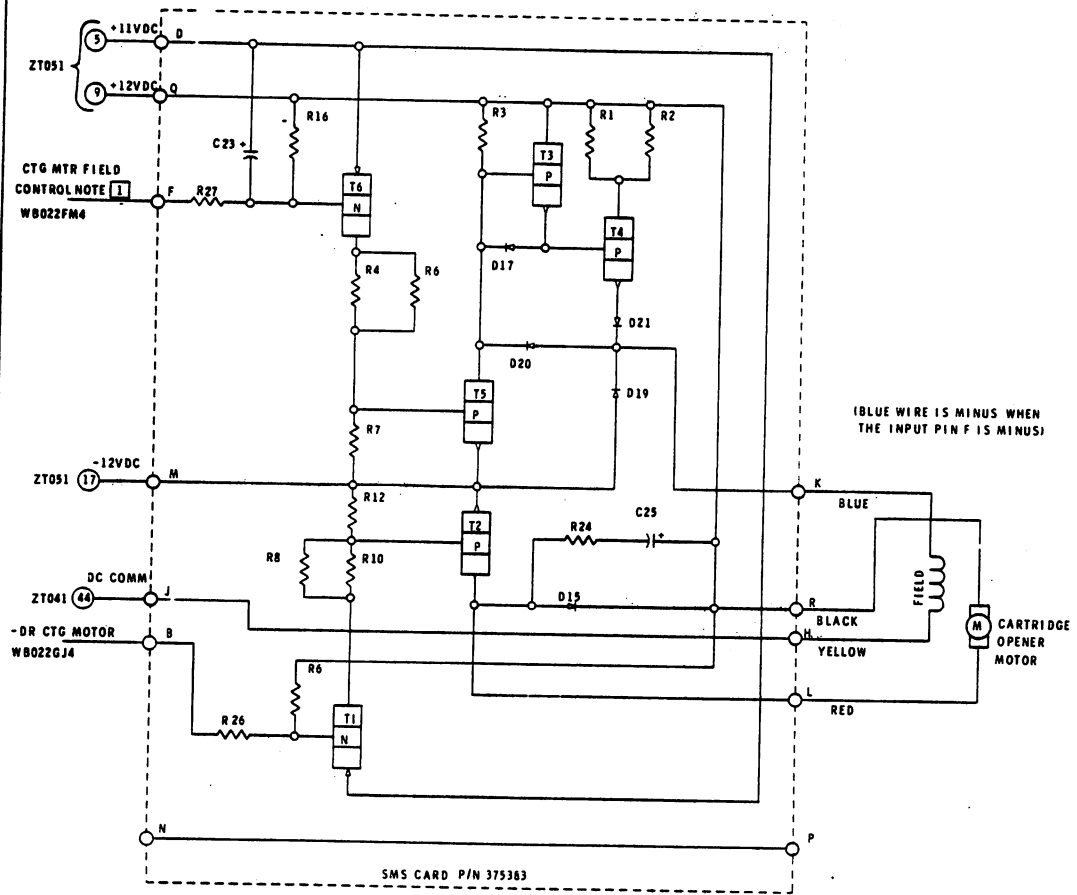
2024

2025

1766790

ZT061

CARTRIDGE OPENER CONTROL  
50 OR 60 HZ  
LOCATED ABOVE CARTRIDGE OPENER MOTOR  
AN SMS TYPE CARD



(BLUE WIRE IS MINUS WHEN THE INPUT PIN F IS MINUS)

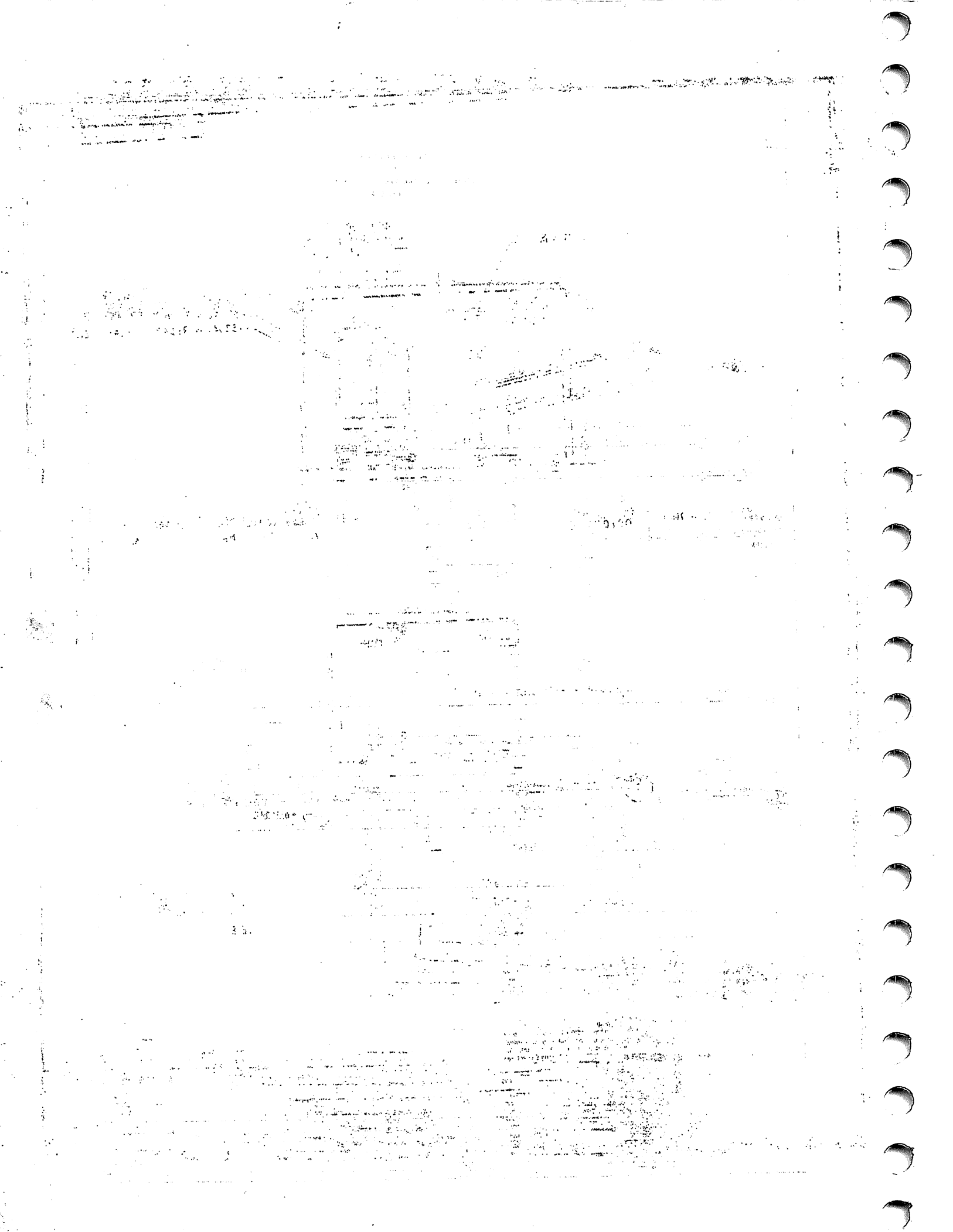
SMS CARD P/N 375363

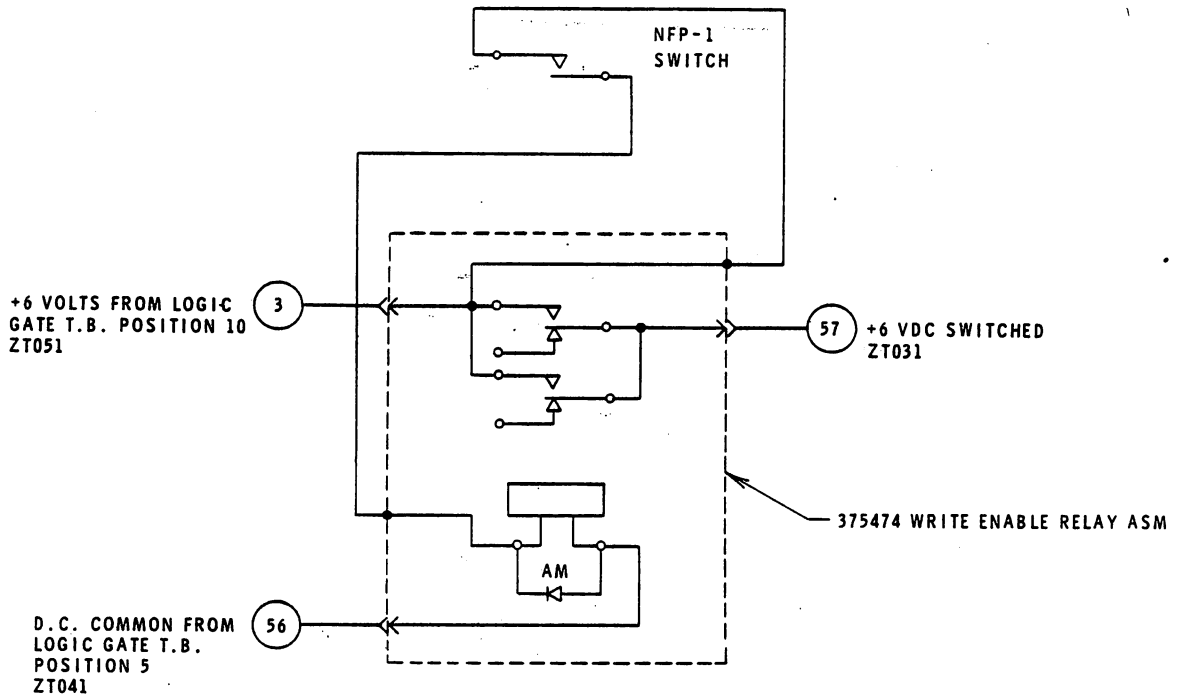
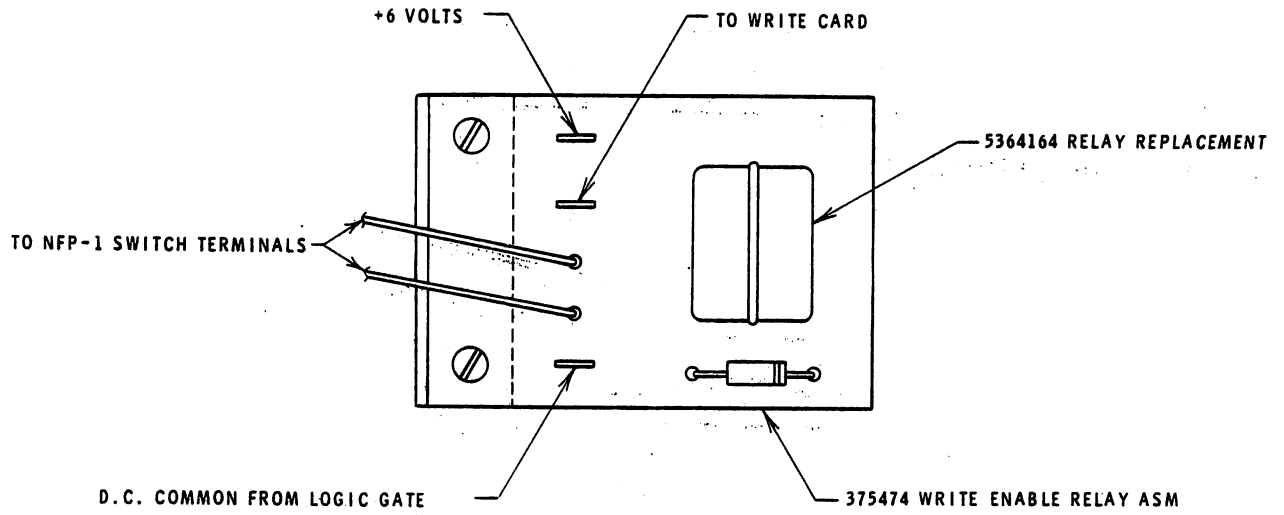
- NOTES
- 1 WHEN PIN (F) IS - (GND) CARTRIDGE MOTOR WILL ROTATE CW (OPEN). WHEN PIN (F) IS + (-12V) CARTRIDGE MOTOR WILL ROTATE CCW (CLOSE)

"This document is the property of IBM. Its use is authorized only for performing the work for which it was prepared. All other use is prohibited. All equipment shall be returned to the IBM Purchasing Department."

IBM		DATE	CHANGE NO	DATE	CHANGE NO	NOTE	DEVELOPMENT NO
NAME SYSTEMS DIAGRAM CART		14OCT72	734303F			1 PRINT TO ENG SPEC NO	1766790
OPENER CONTROL		22MAY80	846320				
DESIGN BY RRB 100169							
DETAIL VLG 14OCT72							
CHECK CCK 15OCT72							
APPROV N-D K BAUGH							

ZT061





"This document is the property of IBM. Its use is authorized only for responding to a request for quotation or for the performance of work for IBM. All questions must be referred to the IBM Purchasing Department."

IBM		DATE	CHANGE NO.	DATE	CHANGE NO.	NOTE	DEVELOPMENT NO.
NAME N. F. P. SWITCH AND WRITE ENABLE RELAY		22SEP72	734467			NOTE X PRINT TO ENG. SPEC. NO.	1767725
DESIGN	RGB 30AUG72	STANDARDS CODE					
DETAIL	LD 22SEP72						
CHECK	VLG 27SEP72						
APPRO	N*RB 30AUG72						

PLATE 111111

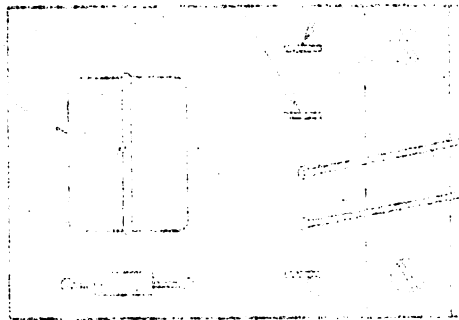


PLATE 111111

PLATE 111111

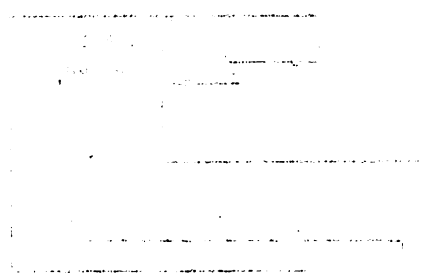


PLATE 111111

PLATE 111111

PLATE 111111

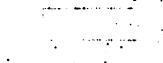


PLATE 111111

PLATE 111111

PLATE 111111

PLATE 111111

PLATE 111111