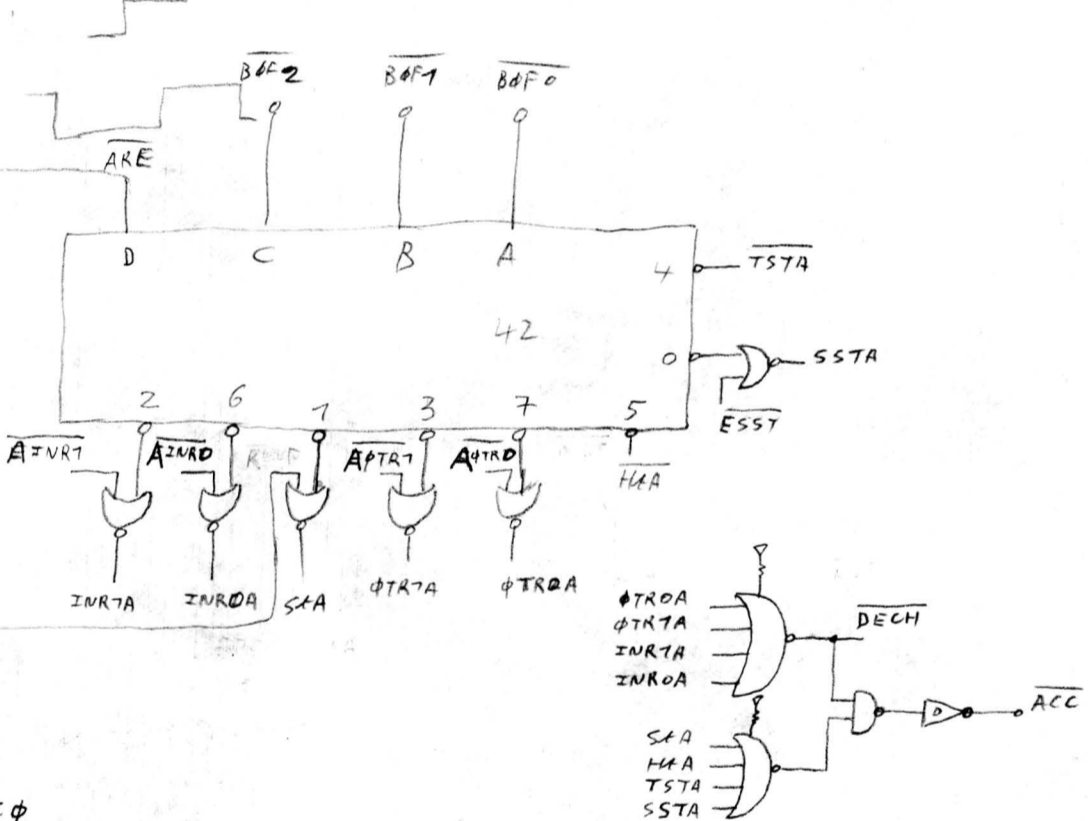
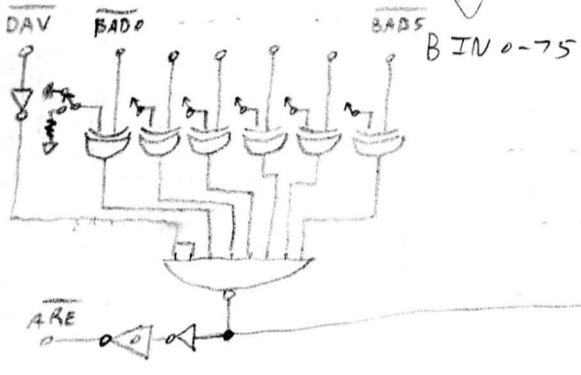
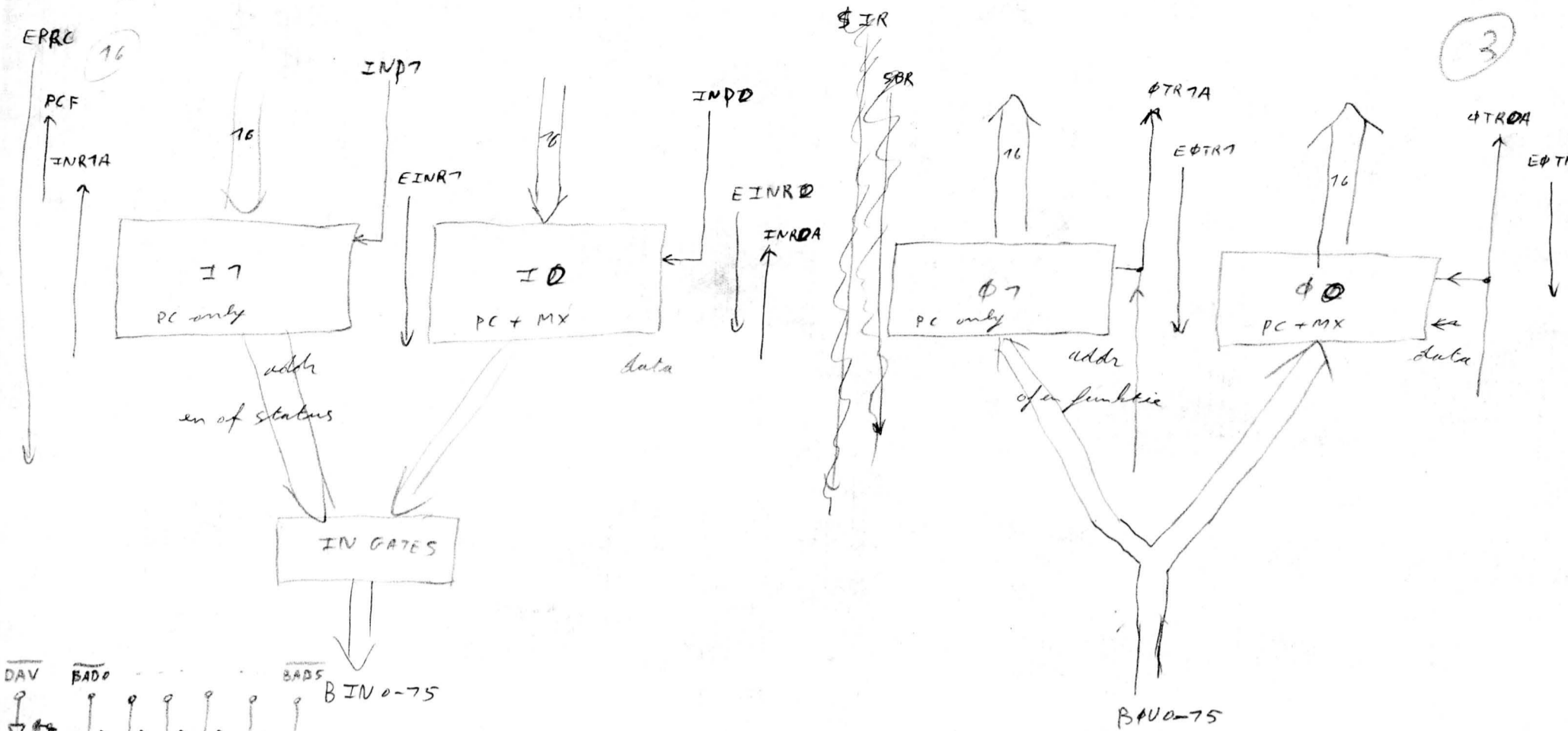


| | 1 | 2 | 3 | t _{ent} | t _{IC} | IC ⁽²⁺³⁾ |
|---------------|----|----|----|------------------|-----------------|---------------------|
| 00 | — | 3 | 2 | 5 | 2 | 2 |
| 02 | 1 | 16 | 6 | 23 | 6 | 6 |
| 04 | 52 | 13 | 2 | 67 | 12 | 3 |
| 05 } 406 } | 16 | 2 | 2 | 20 | 4 | 1 |
| 07 ▽ | — | — | — | — | — | — |
| 08 | 2 | 5 | — | 7 | 2 | 2 |
| 10 | — | 4 | — | 4 | 2 | 2 |
| 20 | — | — | — | — | — | — |
| 25 | — | — | 2 | 2 | 1 | — |
| 30 | — | — | 1 | 1 | 1 | — |
| 37 | 4 | — | — | 4 | 1 | — |
| 74 | — | 6 | — | 6 | 3 | 3 |
| 75 | 16 | 1 | — | 17 | 17 | 1 |
| 86 | — | 1 | 6 | 7 | 2 | 2 |
| 157 | 4 | — | — | 4 | 4 | — |
| 54 | — | 2 | — | 2 | 2 | 2 |
| 42 | — | — | 1 | 1 | 1 | 1 |
| | 15 | 53 | 22 | | 60 | 25 |

↑ 75!

48 → $\frac{6}{+ 6}$
126



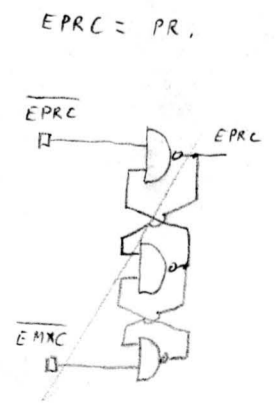
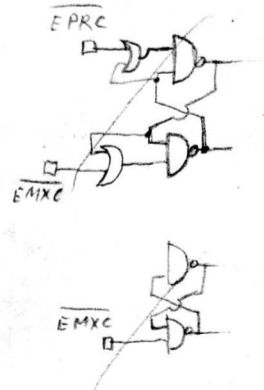
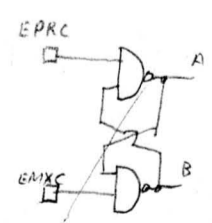
072
 C I F
 0: MX
 1: PC
 I als EINRD + EINR7
 F als R7 + R7

$$\overline{EPRC} \cdot \overline{PCF} \cdot \overline{MXCF}$$

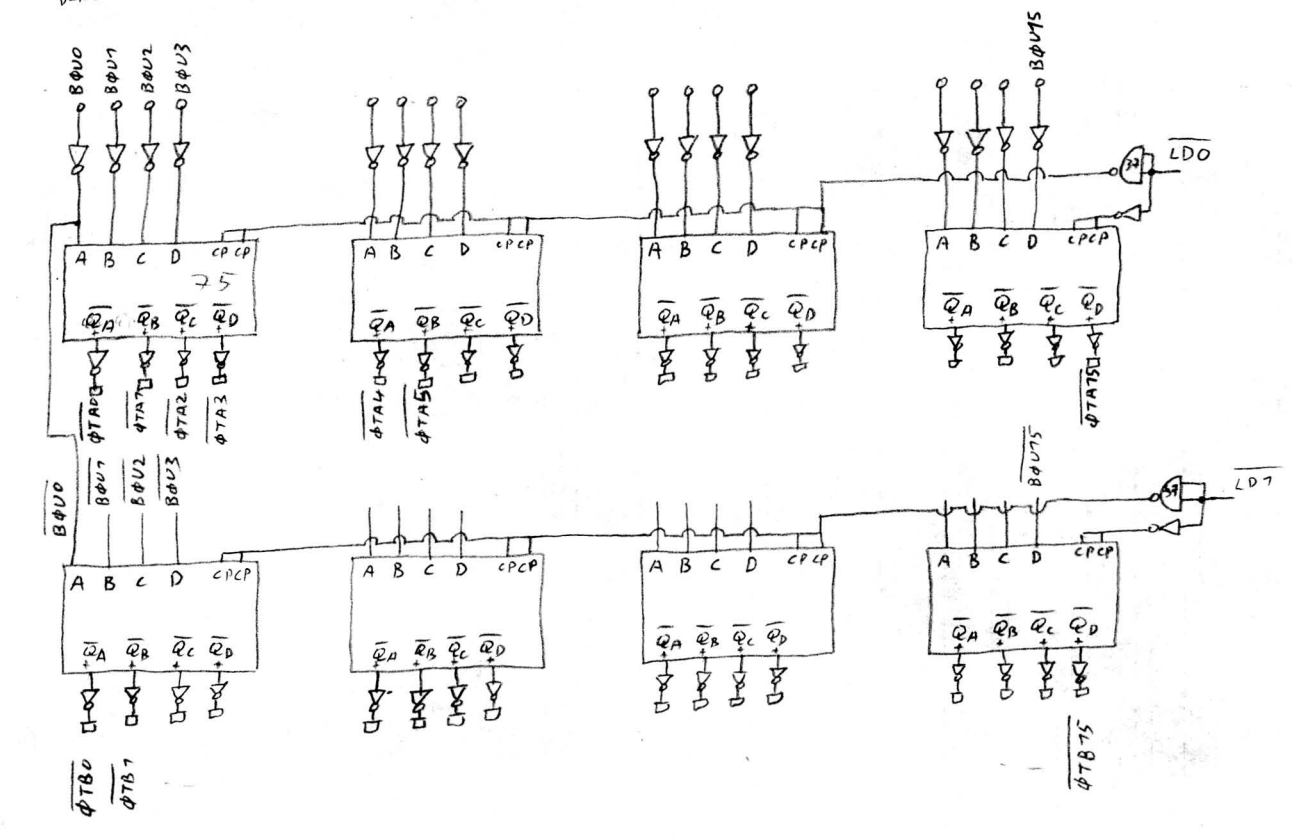
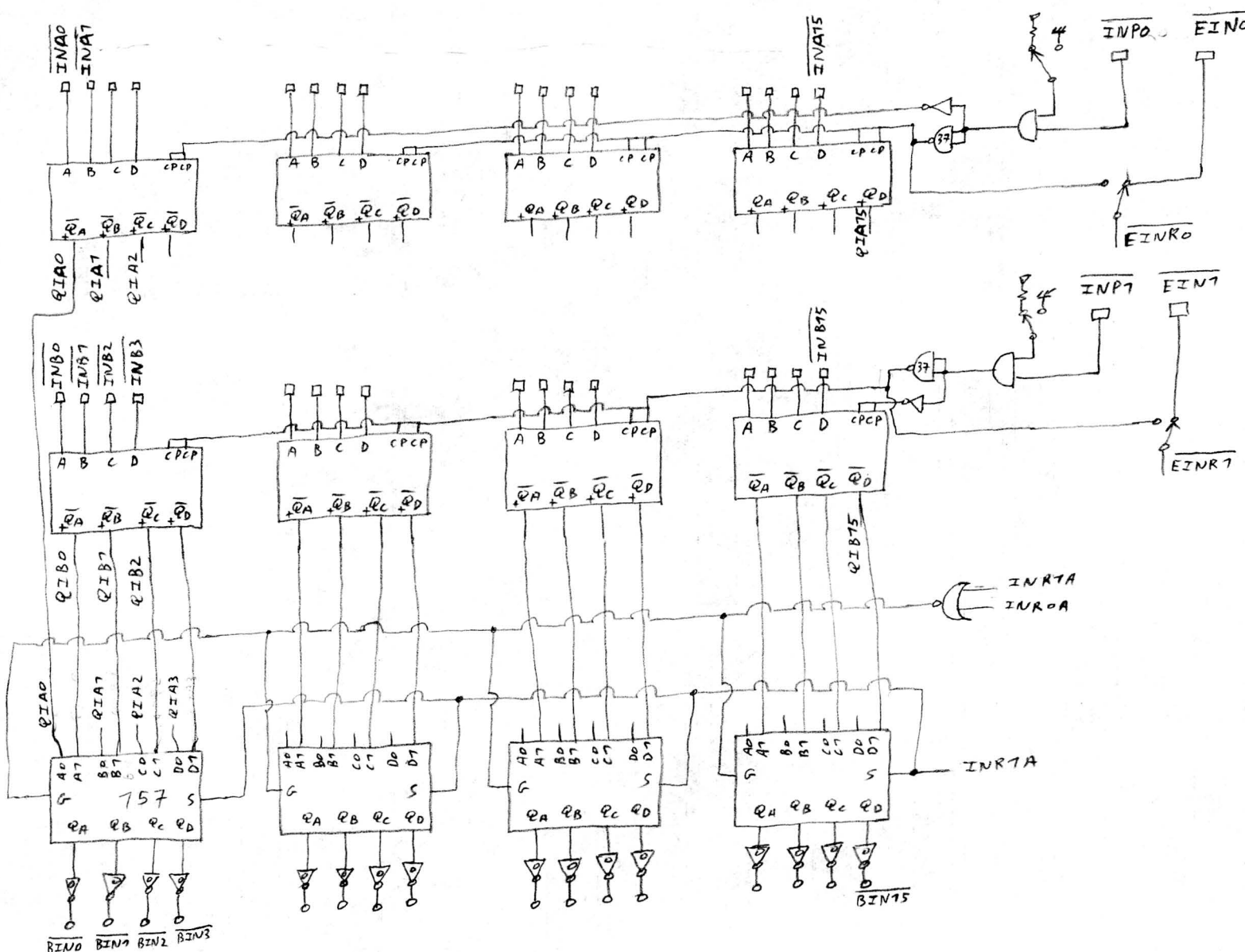
$$PCF \begin{cases} SE: EPRC \cdot \overline{STA} \cdot (\overline{EHT} \oplus \overline{B0F0}) \cdot \Phi C \Phi \\ SN: \overline{EPRC} + HAA + MCL \end{cases}$$

$$MXCF \begin{cases} SE: (\overline{I} \oplus \overline{B0F1}) \cdot (\overline{F} \oplus \overline{B0F2}) \cdot (\overline{EHT} \oplus \overline{B0F0}) \cdot EMXC \cdot \overline{STA} \cdot \Phi C \Phi \\ SN: EPRC \cdot ARE + HAA + MCL + \overline{EMXC} \end{cases}$$

I =
 F =



$$EPRC = PR$$



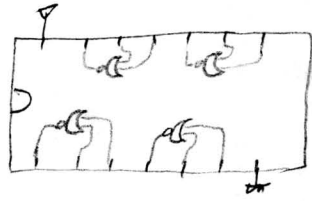
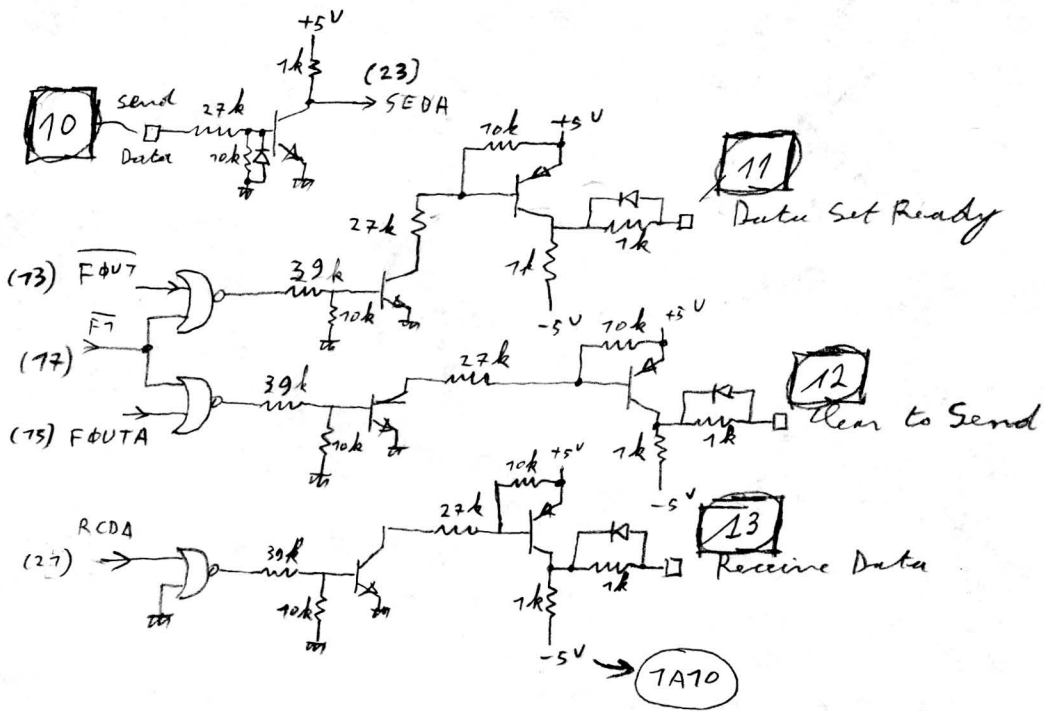
3
71
48/6 - 8

20
- 10
20

7

Modifs CUTY

-5V → pin 1A10



| Signal | CU | Term |
|----------------|-------------|-----------|
| Send Data | A 10 ← ok | Bla + Br |
| Data Set Ready | A 11 → 2k R | Gr |
| Clear to Send | A 12 → 2k Z | Ge |
| Receive Data | A 13 → 1k | Rosc + Br |

Modif ASR \Rightarrow CRT

| f | C | |
|--|---------|----------------------------------|
| ASR \rightarrow 170 ld | 94 k | |
| $\left\{ \begin{array}{l} 200 \\ 300 \end{array} \right.$ | 57,7 k | |
| | 34,47 | $\rightarrow 33 + 1,5$ |
| CRT $\left\{ \begin{array}{l} 600 \\ 7200 \\ 7800 \\ 2400 \\ 4800 \\ 9600 \end{array} \right.$ | 77,23 k | $\rightarrow 75 + 2,2$ |
| | 8,62 k | $\rightarrow 6,8 + 1,5 + 0,33$ |
| | 5,74 k | $\rightarrow 4,7 + 1$ |
| | 4,37 k | $\rightarrow 3,3 + 1$ |
| | 2,15 k | $\rightarrow 1,5 + 0,47 + 0,15$ |
| | 1,077 k | $\rightarrow 1 + \cancel{0,068}$ |

| ASR | CUASR |
|-------|-------|
| 8,62 | 2,75 |
| 6,8 | 7,5 |
| <hr/> | <hr/> |
| 1,82 | 0,65 |
| 7,5 | 0,47 |
| <hr/> | <hr/> |
| 0,32 | 0,78 |
| 5,74 | |
| 4,7 | |
| <hr/> | |
| 1,04 | |

< en > werdagen door (en)
 inhoud veranderen - underscore

1/2/3/4/5/6/7/8/

Trans | Mod

1: Chas and : Rod

2: Blann: Transm. Data

3: Rose : Received Data

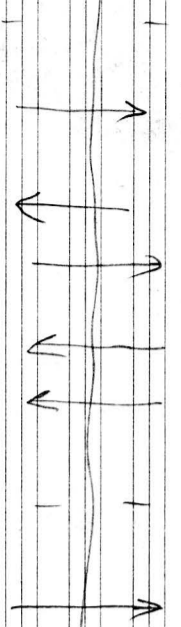
4: Arj's : Request to Send

5: Oel : Clear to Send

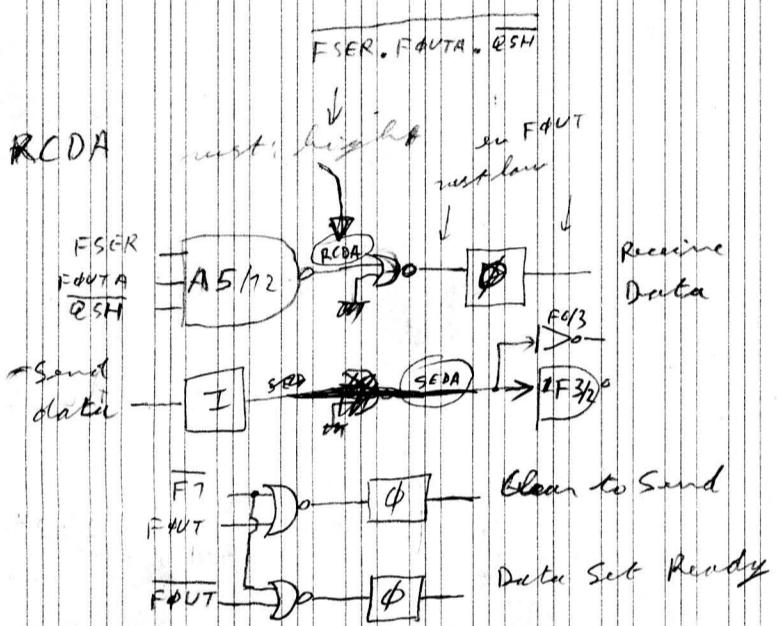
6: Groen : Data Set Ready

7: Bruin : Card At

20 Wit/Blauw: Data term. ready



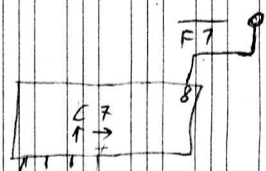
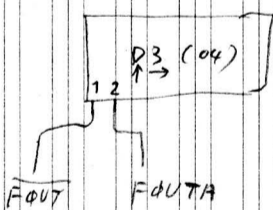
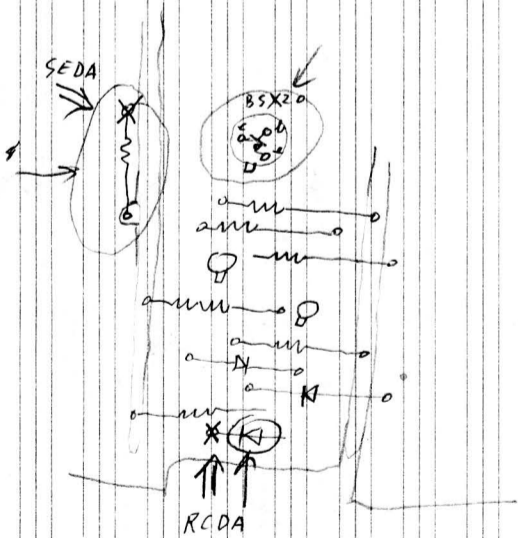
RCDA



$$CTSD = \overline{F7} \cdot \overline{FdUT}$$

$$DSRY = F7 \cdot F4UT$$

FdUT



| | | |
|-------|----|----|
| FdUTA | 73 | Bc |
| FdUTA | 75 | Ca |
| F7 | 77 | Cc |
| RCDA | 27 | Cu |
| SEDA | 23 | Li |

V → 55

1070107